



US00D868388S

(12) **United States Design Patent** (10) **Patent No.:** **US D868,388 S**  
**Nimura** (45) **Date of Patent:** **\*\* Nov. 26, 2019**

(54) **DEVICE MOUNTING HOUSING FOR HELMET**

(71) Applicant: **SHOEI CO., LTD.**, Tokyo (JP)

(72) Inventor: **Taku Nimura**, Tokyo (JP)

(73) Assignee: **SHOEI CO., LTD.**, Tokyo (JP)

(\*\*) Term: **15 Years**

(21) Appl. No.: **29/658,029**

(22) Filed: **Jul. 27, 2018**

(30) **Foreign Application Priority Data**

May 7, 2018 (JP) ..... 2018-009900  
May 7, 2018 (JP) ..... 2018-009901  
May 7, 2018 (JP) ..... 2018-009903

(51) **LOC (12) Cl.** ..... **29-02**

(52) **U.S. Cl.**  
USPC ..... **D29/122**

(58) **Field of Classification Search**  
USPC ..... D29/100, 102, 104, 105, 106, 107, 108,  
D29/109, 110, 122; D2/869, 870, 872,  
(Continued)

(56) **References Cited**

**U.S. PATENT DOCUMENTS**

5,890,233 A \* 4/1999 Kaffka ..... A42B 3/226  
2/10  
D419,670 S \* 1/2000 Pollard ..... D24/110.1  
(Continued)

**OTHER PUBLICATIONS**

Notice of Allowance issued in U.S. Appl. No. 29/658,031 dated Apr. 8, 2019; 6 pages.

*Primary Examiner* — Randall H Gholson

(74) *Attorney, Agent, or Firm* — Cantor Colburn LLP

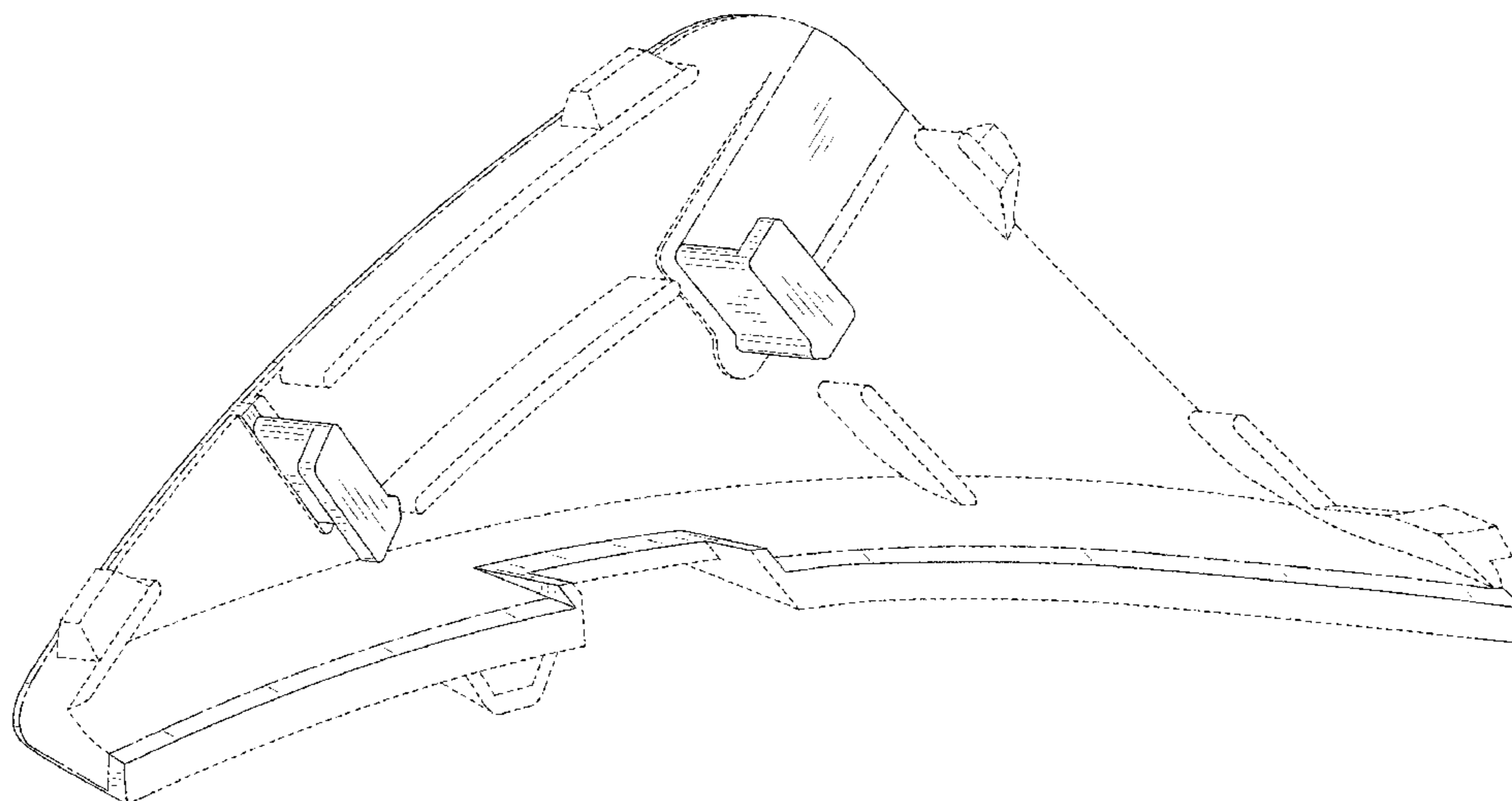
(57) **CLAIM**

The ornamental design for a device mounting housing for helmet, as shown and described.

**DESCRIPTION**

FIG. 1 is a rear, top, and right side perspective view of a first embodiment of a device mounting housing for helmet showing my new design;  
FIG. 2 is a front view thereof;  
FIG. 3 is a rear view thereof;  
FIG. 4 is a top plan view thereof;  
FIG. 5 is a bottom plan view thereof;  
FIG. 6 is a right side view thereof;  
FIG. 7 is a left side view thereof;  
FIG. 8 is a rear, top, and right side perspective view of a second embodiment of a device mounting housing for helmet showing my new design;  
FIG. 9 is a front view thereof;  
FIG. 10 is a rear view thereof;  
FIG. 11 is a top plan view thereof;  
FIG. 12 is a bottom plan view thereof;  
FIG. 13 is a right side view thereof;  
FIG. 14 is a left side view thereof;  
FIG. 15 is a rear, top, and right side perspective view of a third embodiment of a device mounting housing for helmet showing my new design;  
FIG. 16 is a front view thereof;  
FIG. 17 is a rear view thereof;  
FIG. 18 is a top plan view thereof;  
FIG. 19 is a bottom plan view thereof;  
FIG. 20 is a right side view thereof; and,  
FIG. 21 is a left side view thereof.  
The broken lines illustrate portions of the device mounting housing for helmet and form no part of the claimed design. The dash-dotted lines denote the boundary of the claim and form no part of the claimed design.

**1 Claim, 18 Drawing Sheets**



(58) **Field of Classification Search**

USPC ..... D2/882, 884, 891; 2/6.1, 6.3, 6.7,  
2/411-412, 414, 422-425; D26/39;  
D24/231, 110.4  
CPC .. A42B 1/066; A42B 1/00; A42B 1/06; A42B  
3/228; A42B 3/00; A42B 3/08; A42B  
3/32; A42B 3/222; A42B 3/20; A42B  
3/227; A42B 3/105; A42B 3/04; A42B  
3/06; A42B 3/0406; A42B 3/18; A42B  
3/166; A42B 3/16; A42B 3/22; A42B  
3/0473; A42B 3/127; A63B 71/10; A63B  
71/105; A41D 13/0512

See application file for complete search history.

(56) **References Cited**

U.S. PATENT DOCUMENTS

6,491,390 B1 \* 12/2002 Provost ..... A42B 1/247  
2/10  
7,065,798 B2 \* 6/2006 Kuo ..... A42B 3/222  
2/424  
D578,207 S \* 10/2008 D'Souza ..... D24/110.1  
8,631,512 B2 \* 1/2014 Stachler ..... A42B 3/185  
2/10  
8,696,112 B1 \* 4/2014 Vaught ..... G02C 3/02  
2/10  
D738,049 S \* 9/2015 Gee ..... D29/122  
D740,496 S \* 10/2015 Noordzij ..... D29/122  
D767,214 S \* 9/2016 Shida ..... D29/122  
D786,508 S 5/2017 Ricket et al.  
D816,209 S \* 4/2018 Castiglione ..... D24/110.1  
D819,892 S \* 6/2018 Lee ..... D29/107  
9,999,546 B2 \* 6/2018 Gardner ..... A61F 9/068

\* cited by examiner

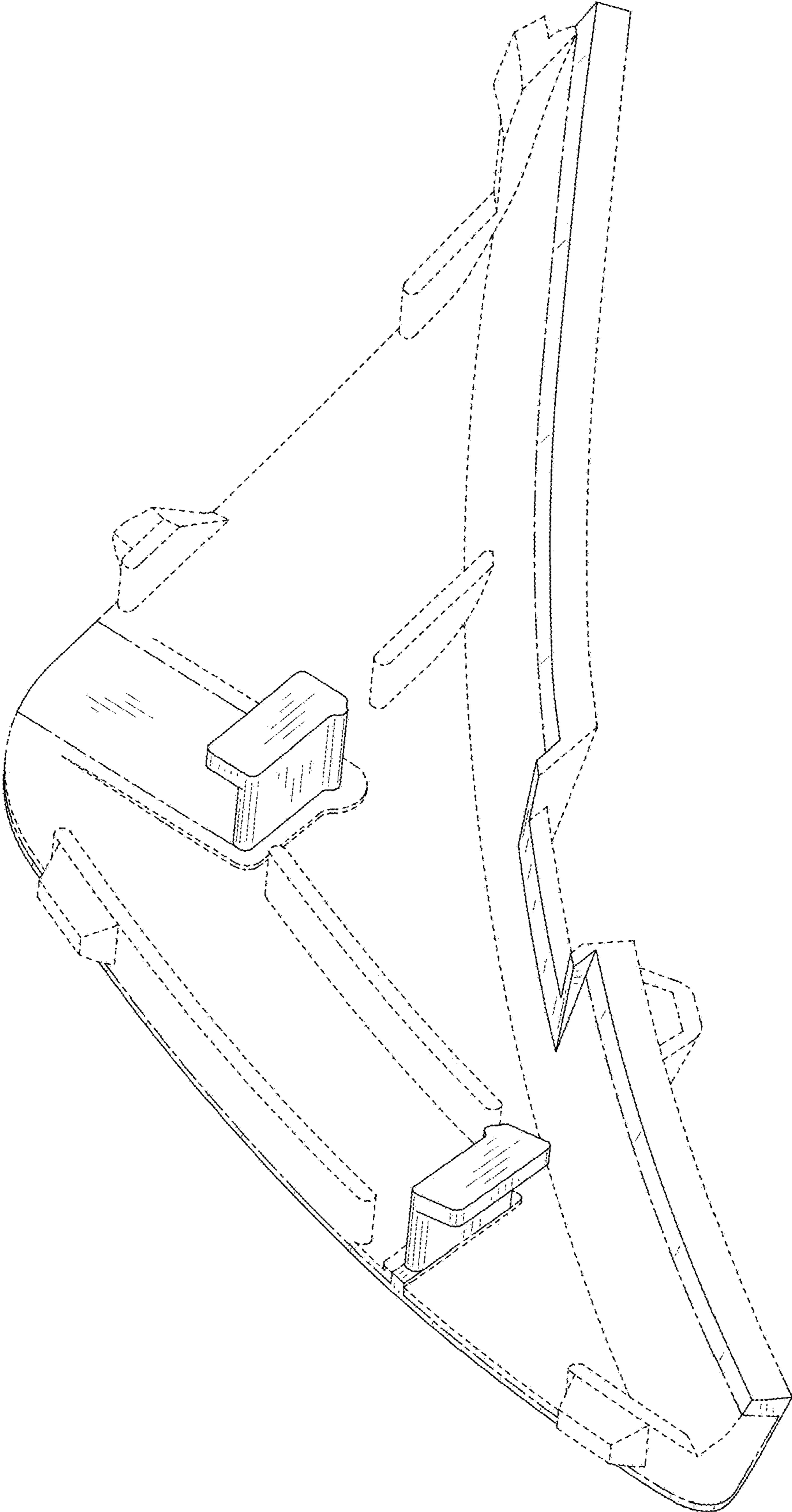


FIG.1

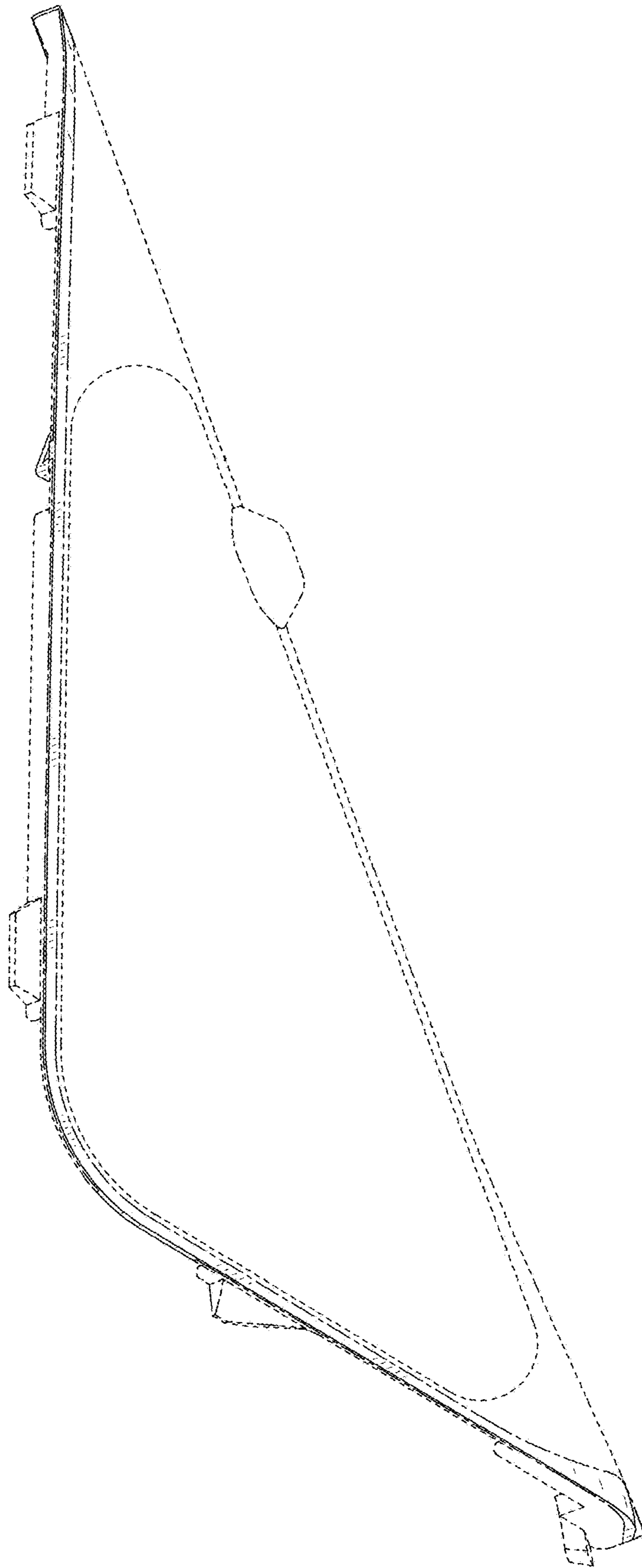


FIG.2

FIG.3

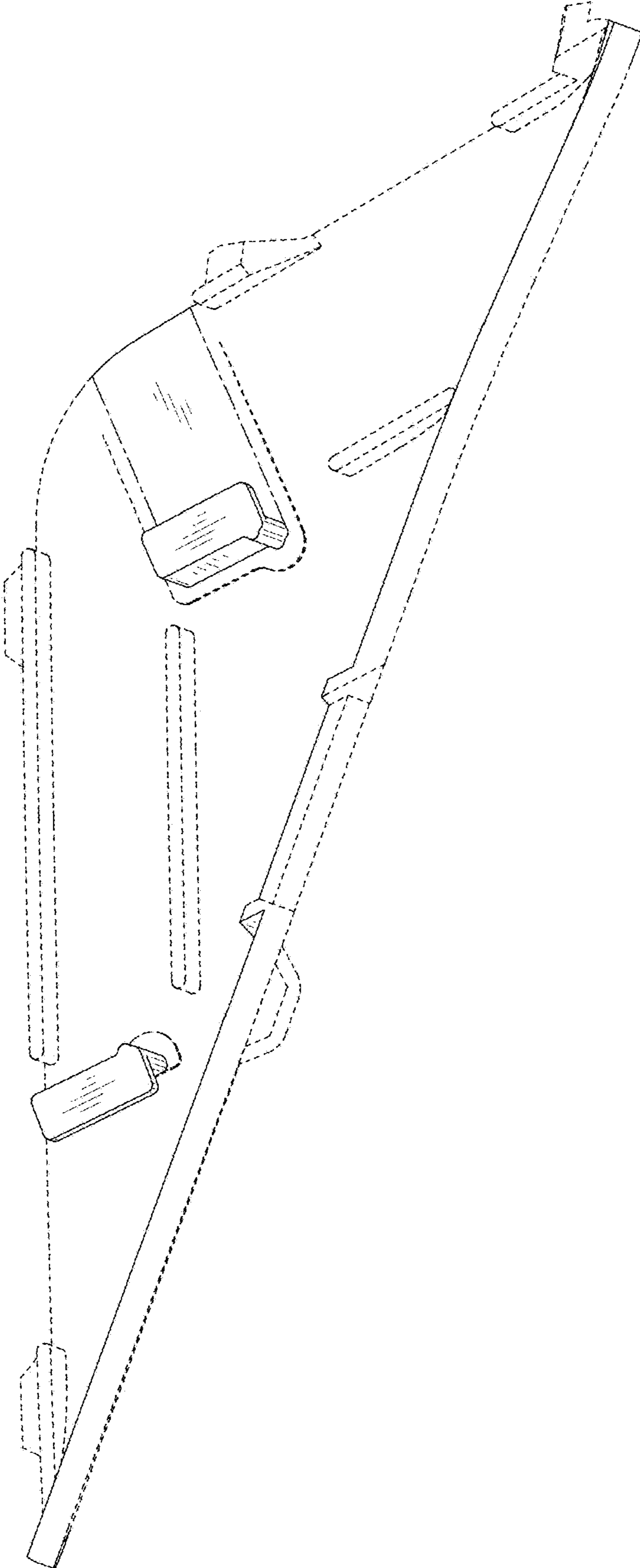
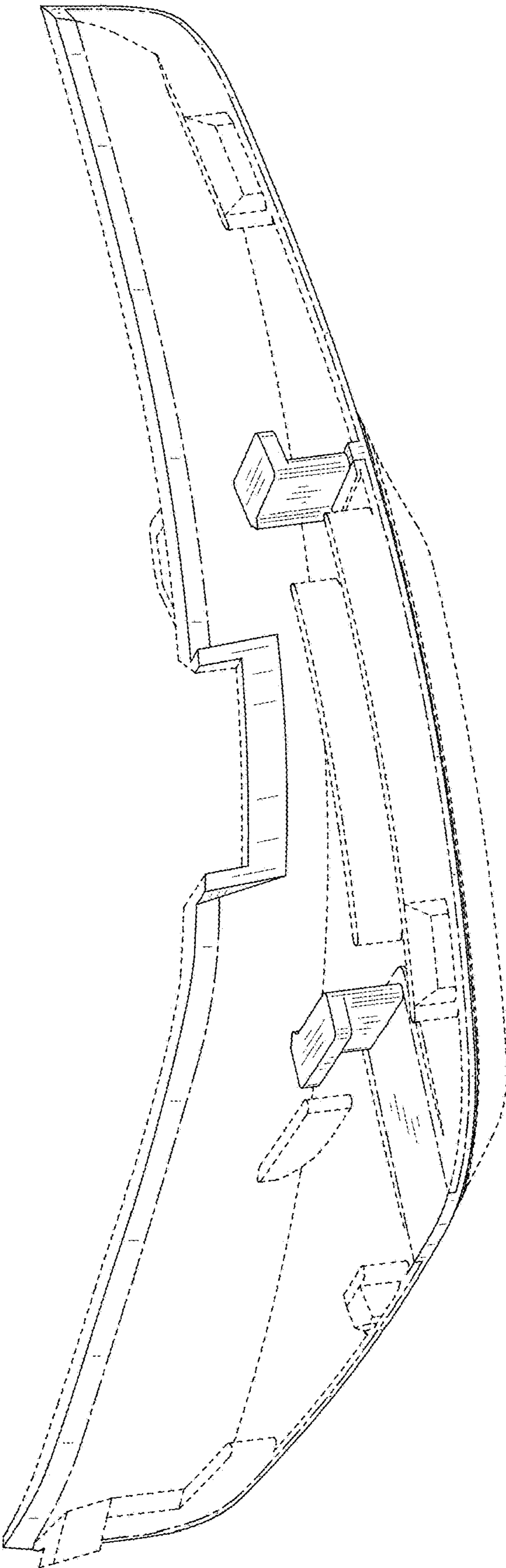


FIG.4



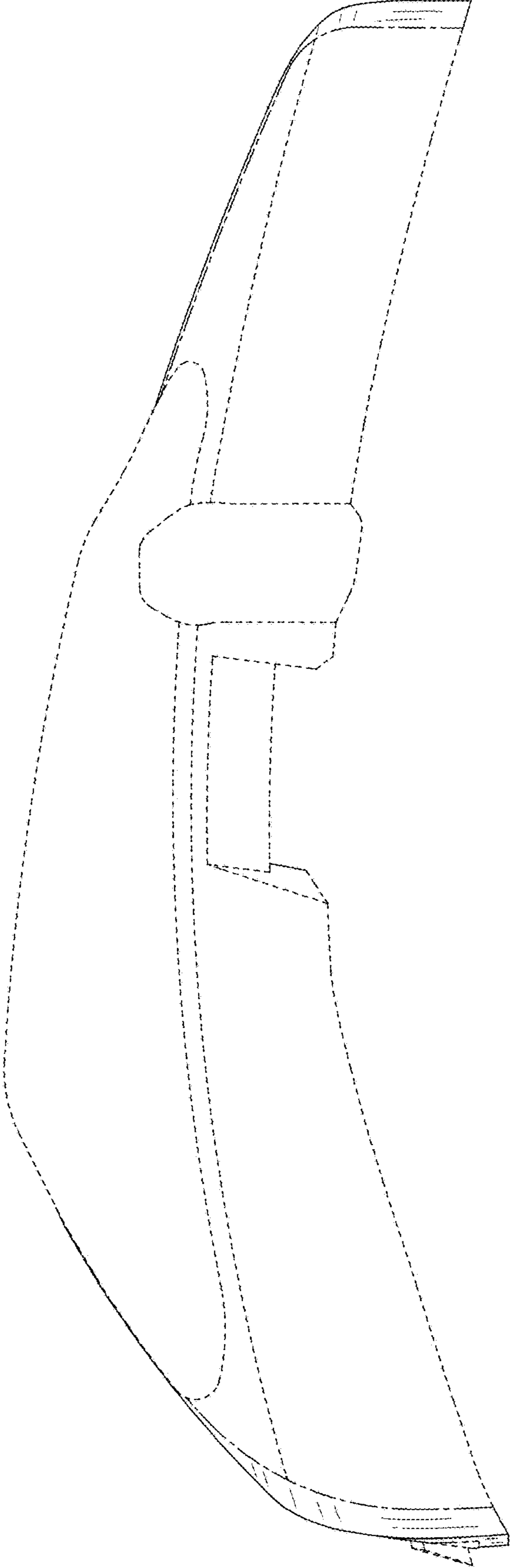


FIG.5

FIG.7

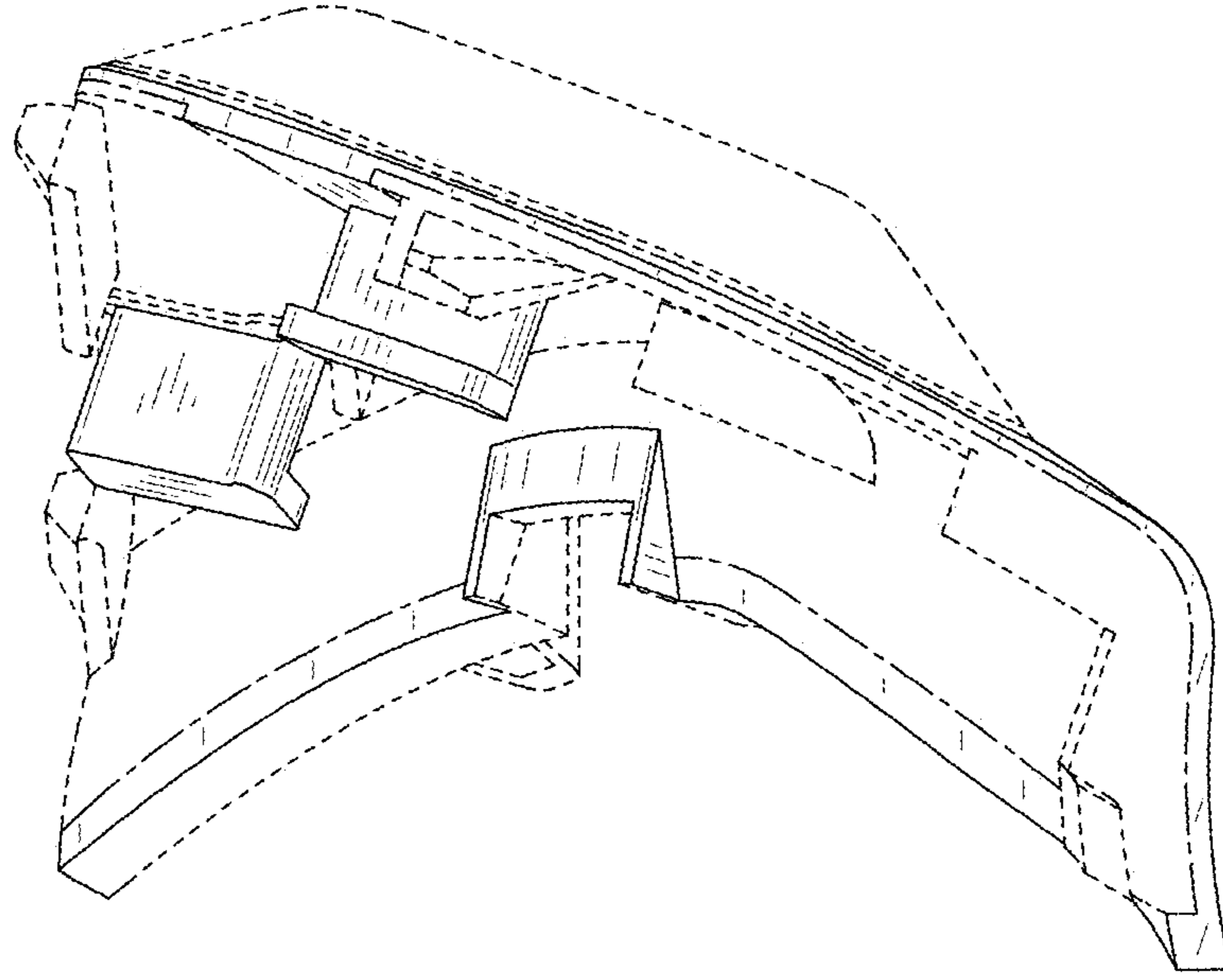
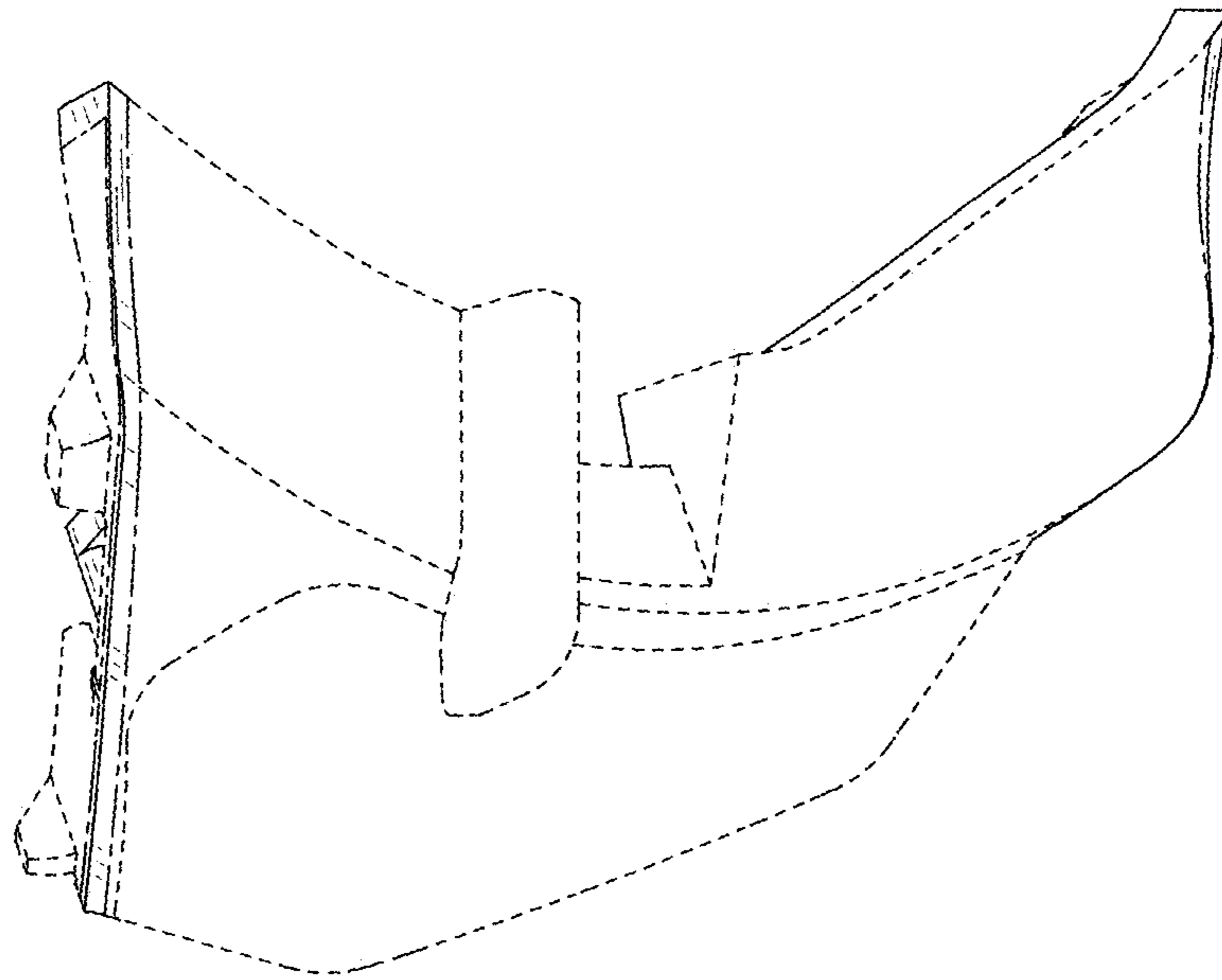


FIG.6





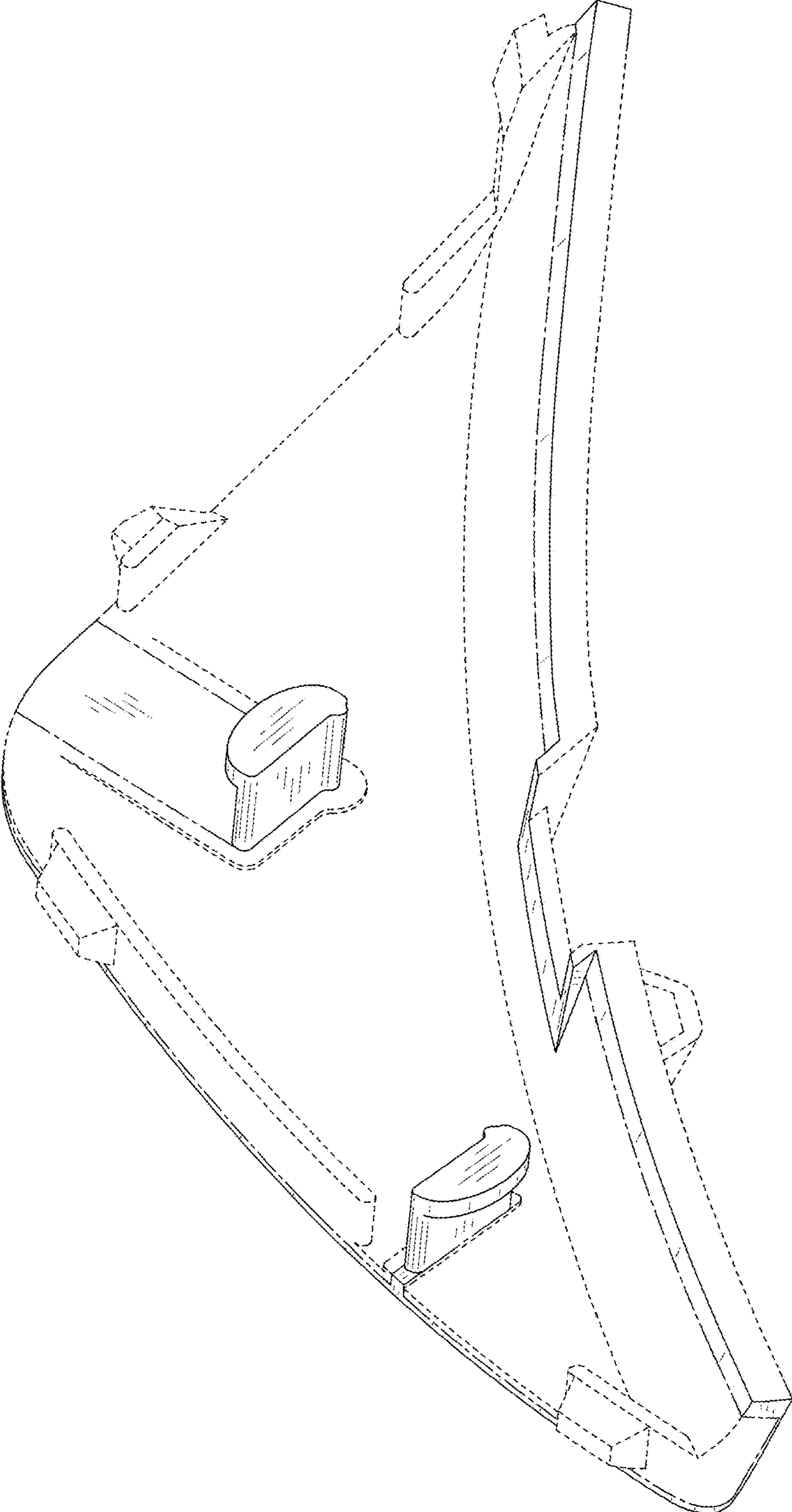


FIG. 8

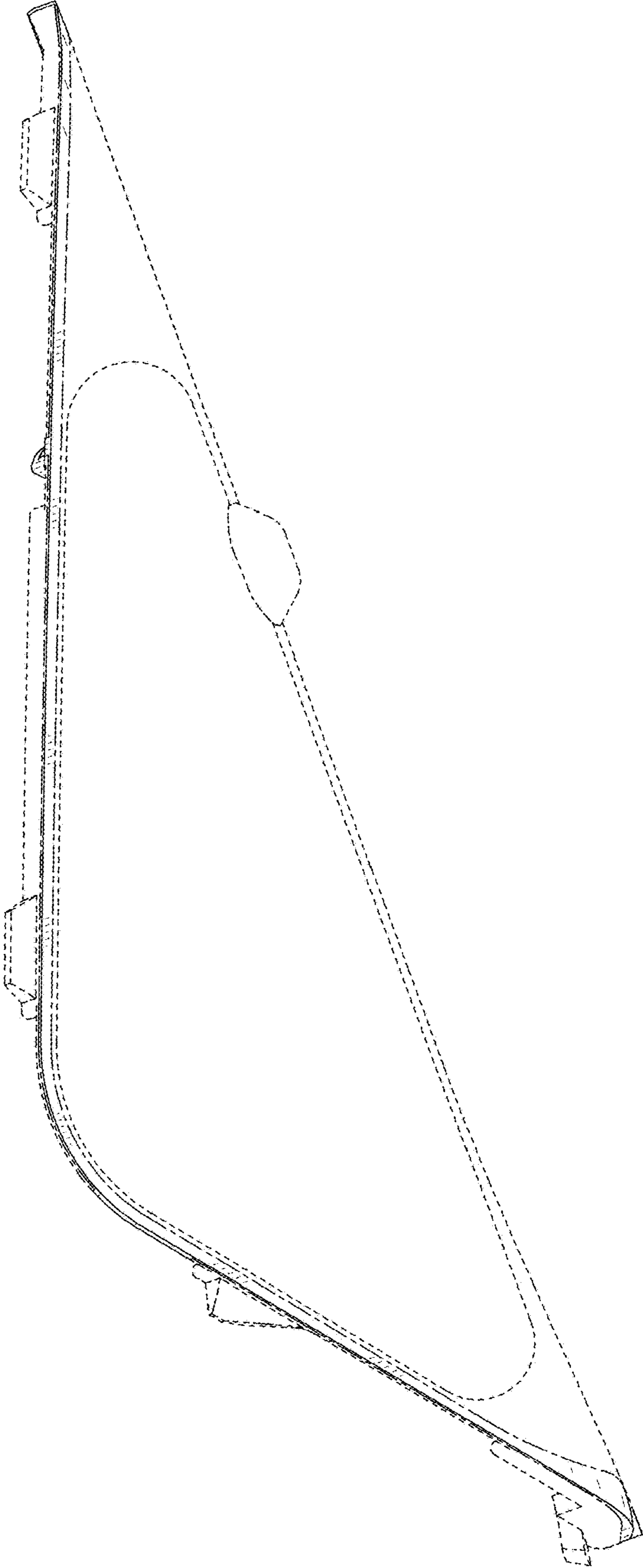


FIG.9

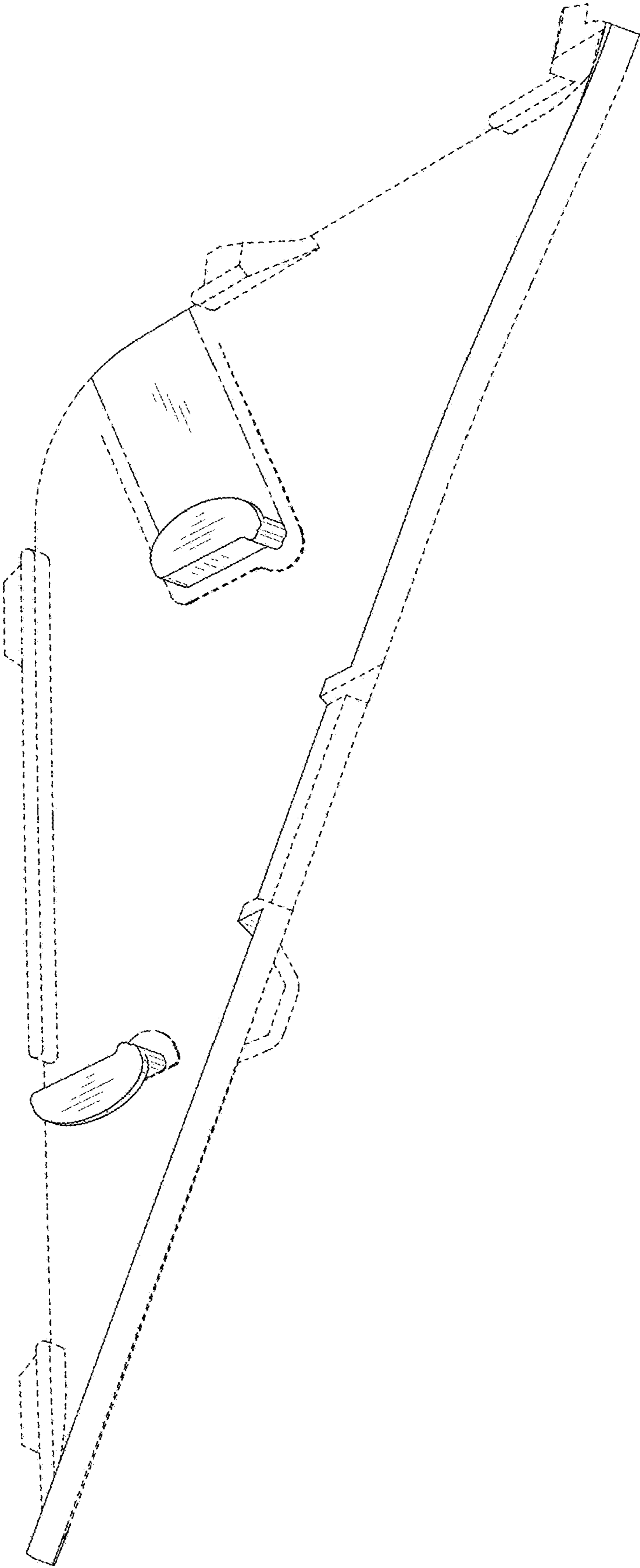


FIG.10

FIG.11

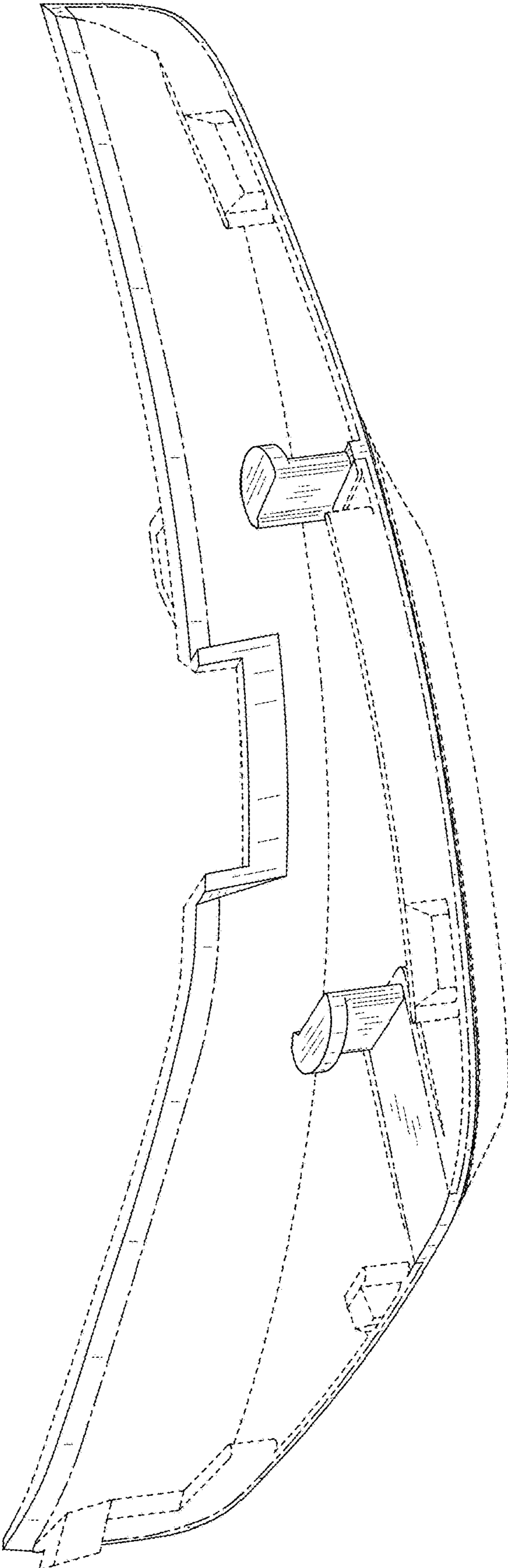


FIG.12

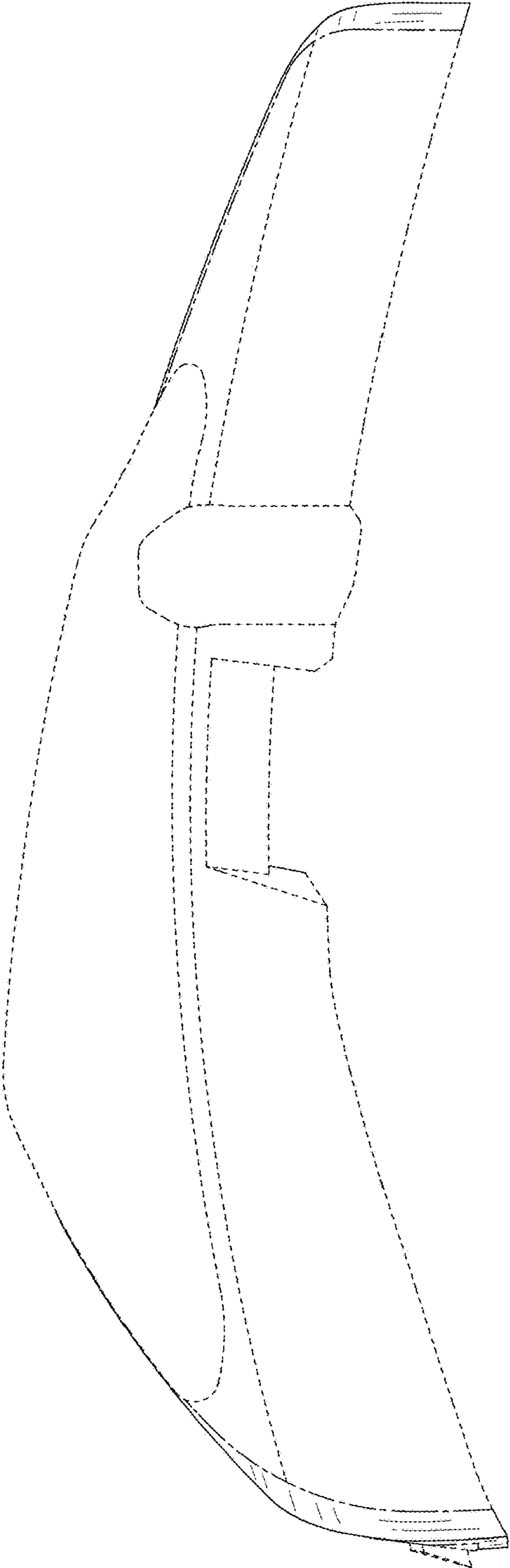


FIG.14

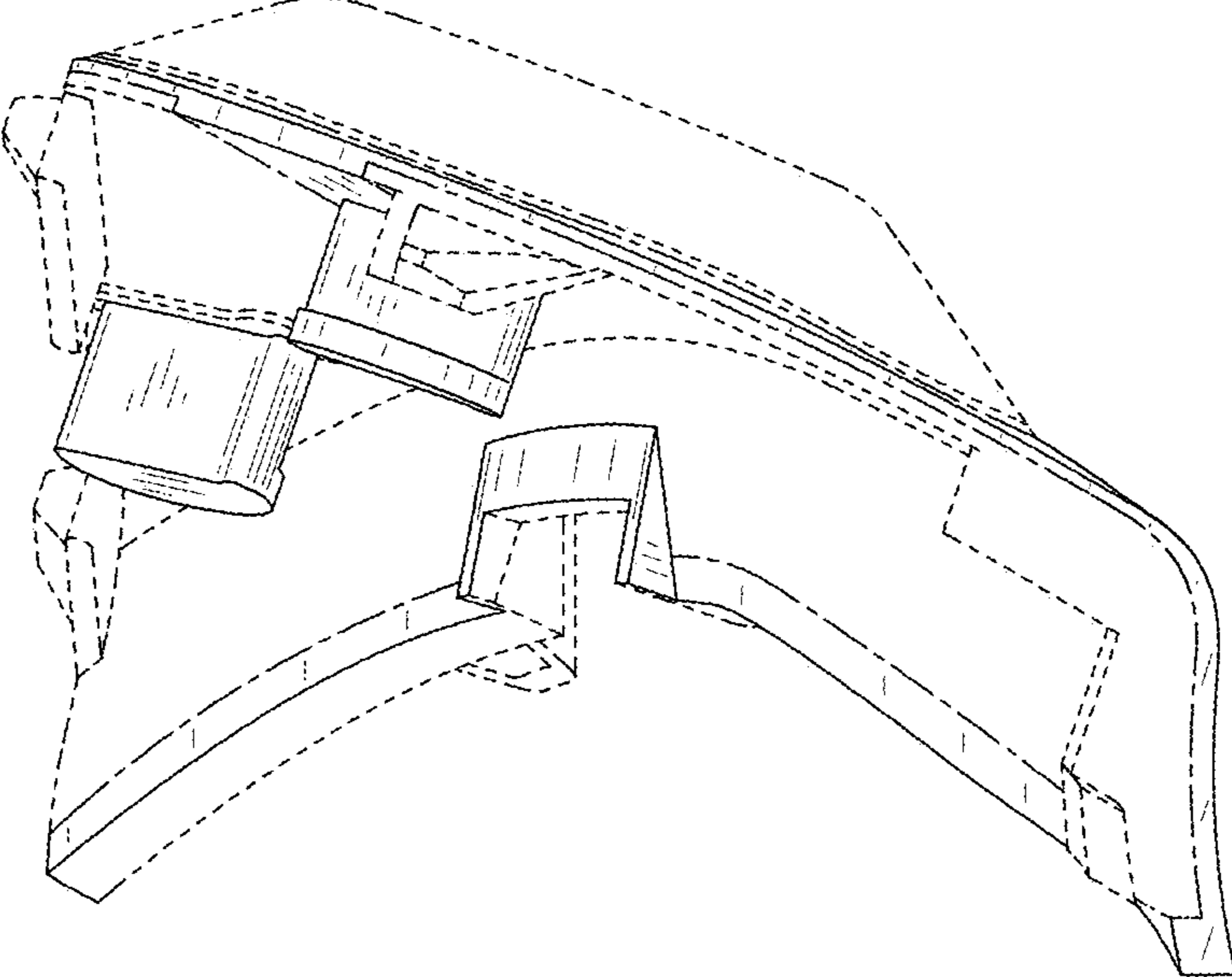
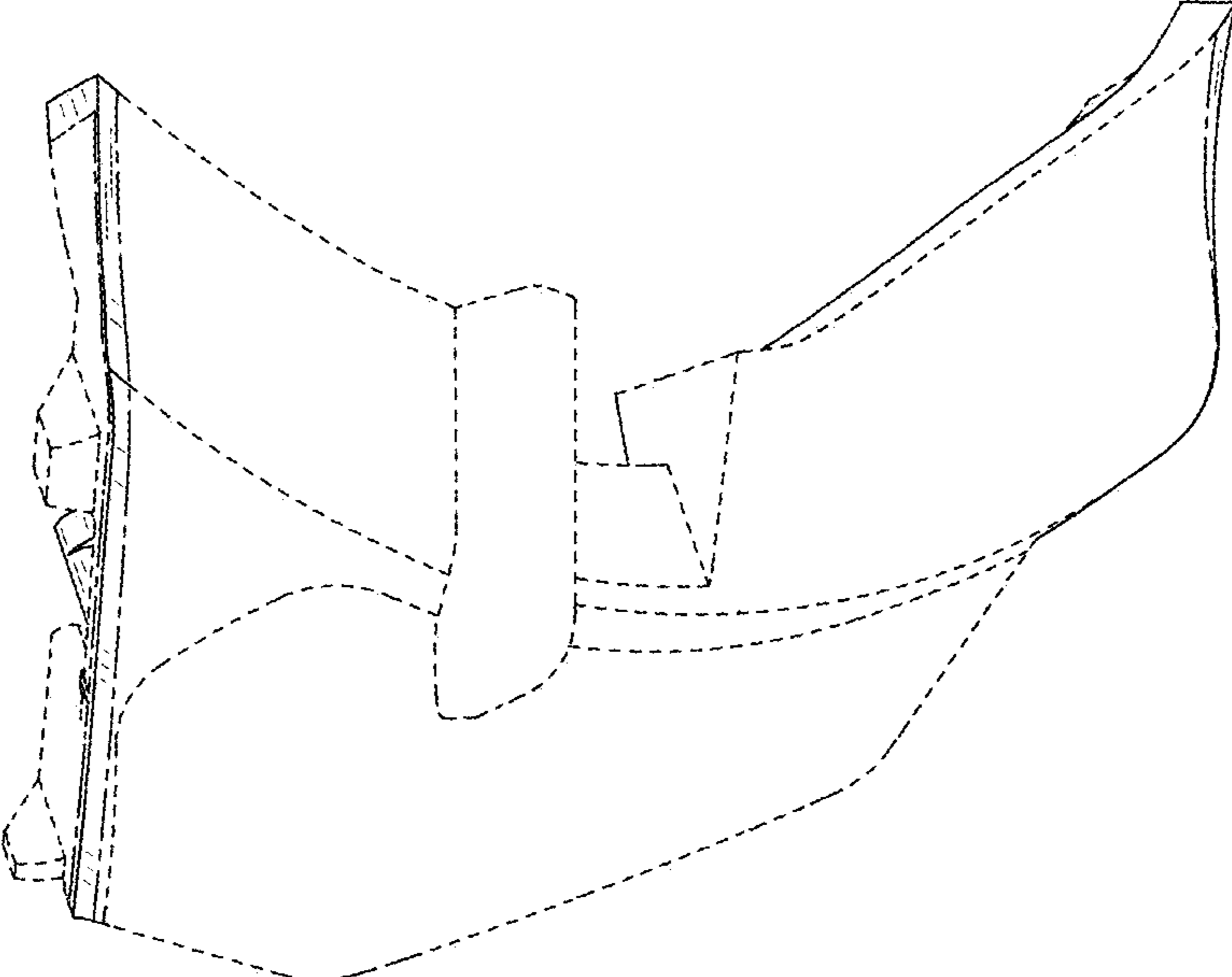


FIG.13



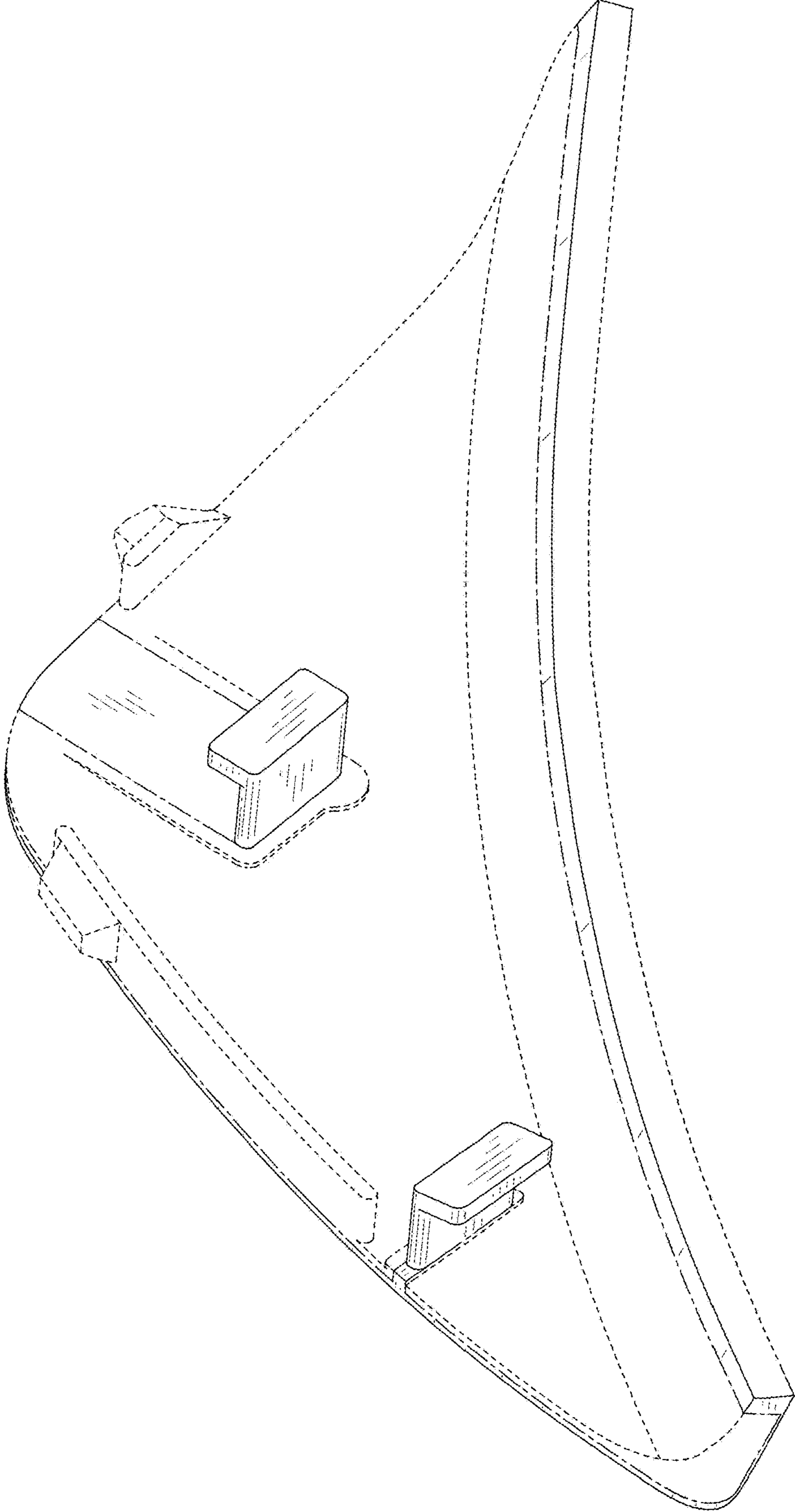


FIG.15

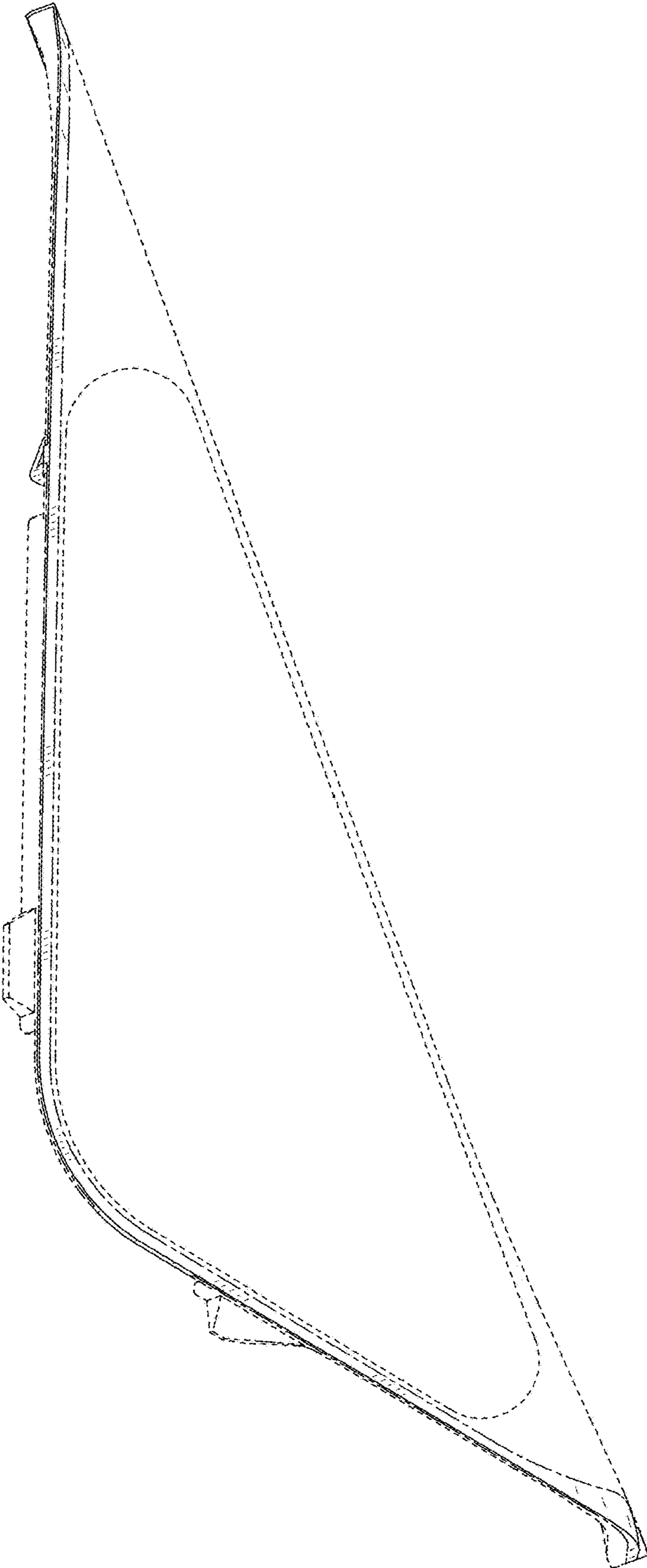


FIG.16



FIG.17

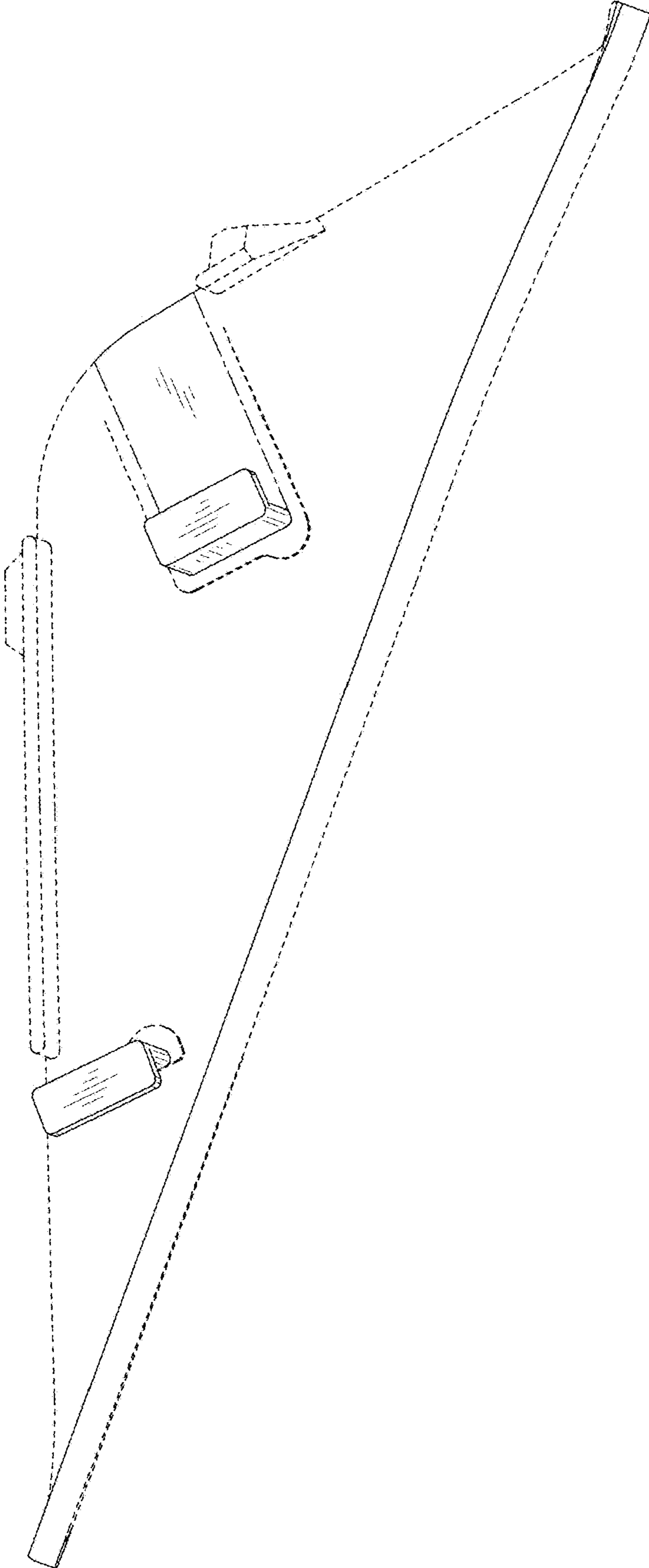


FIG.18

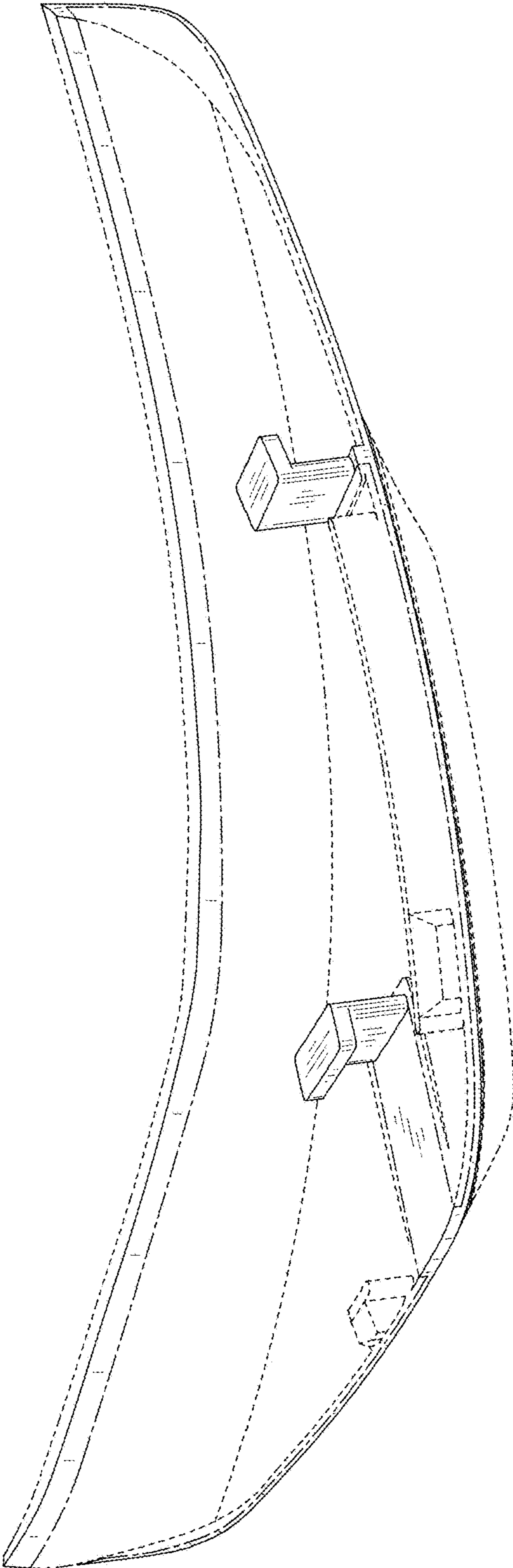


FIG.19

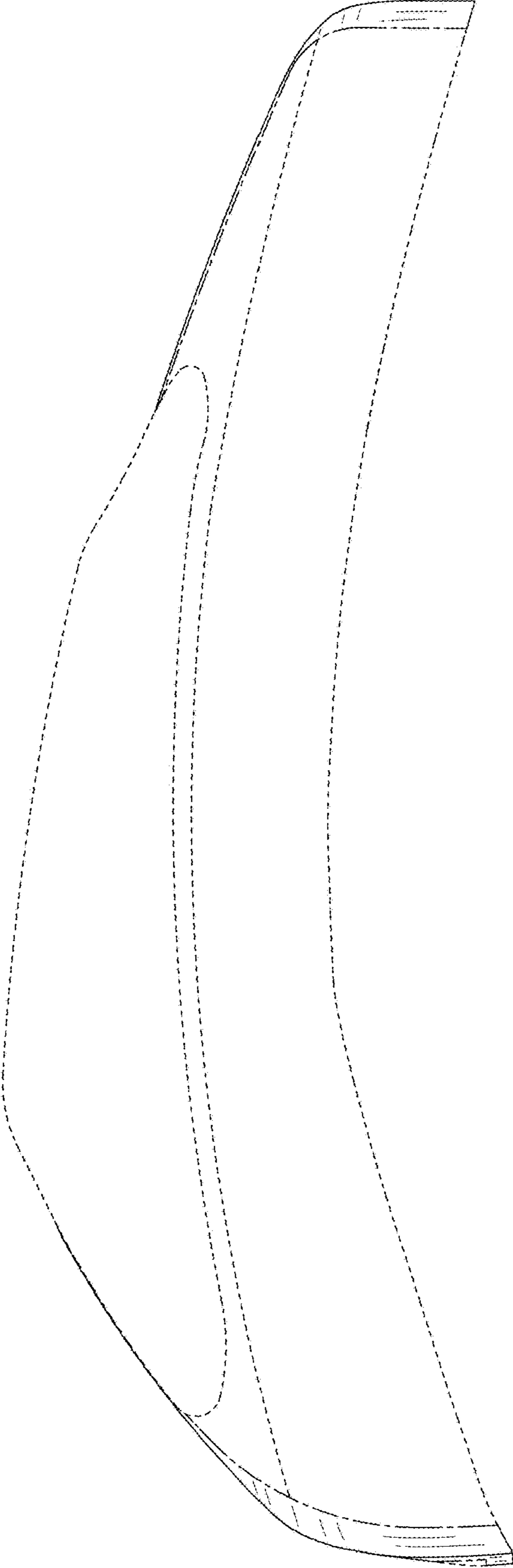


FIG.21

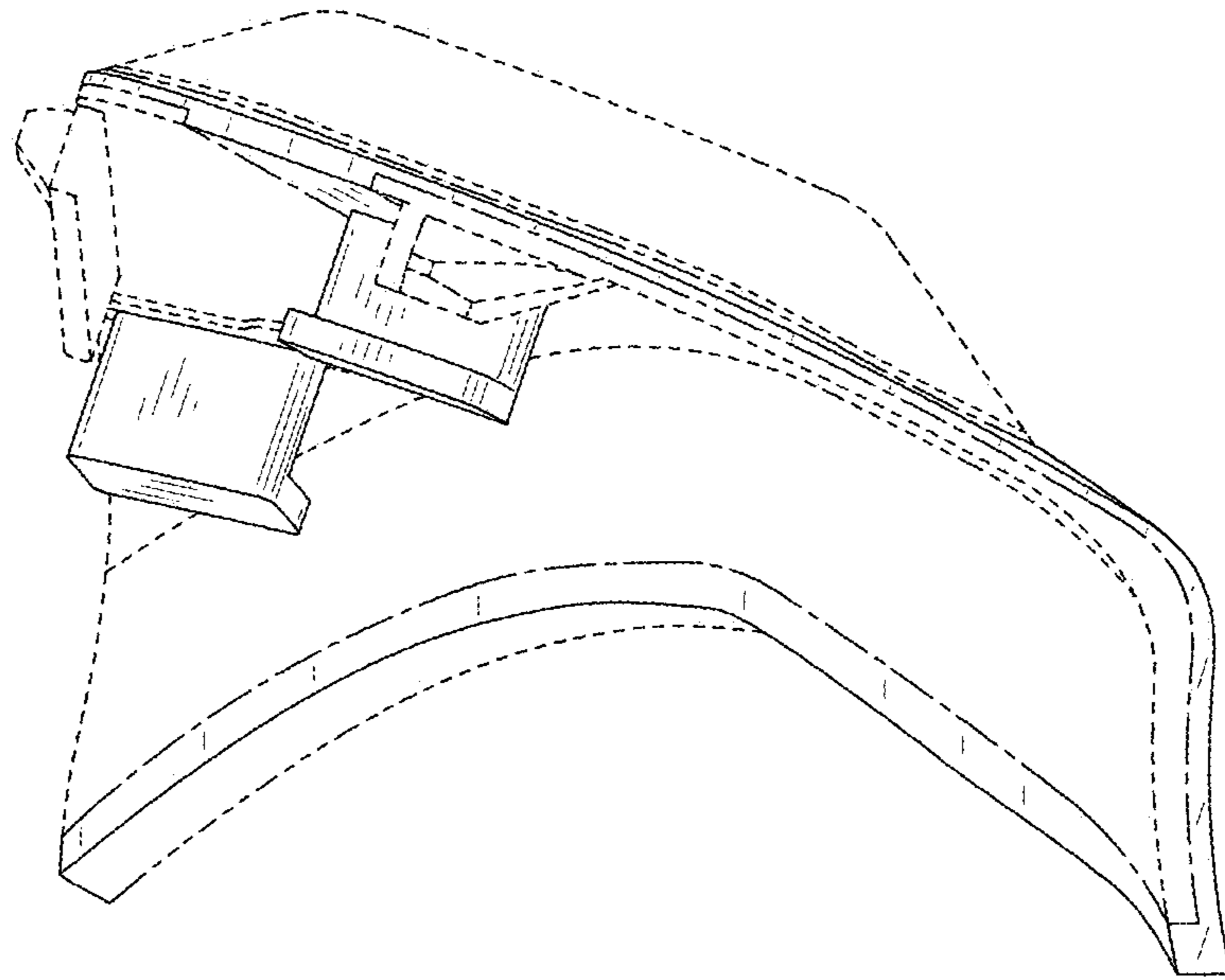


FIG.20

