



US00D868382S

(12) **United States Design Patent** (10) **Patent No.:** **US D868,382 S**  
**Ma** (45) **Date of Patent:** **\*\* Nov. 26, 2019**

(54) **PROTECTIVE GEAR**

D632,845 S \* 2/2011 Green ..... D29/101.3  
8,505,122 B1 \* 8/2013 Green ..... A41D 13/0562  
2/463  
D747,830 S \* 1/2016 Battaglieri ..... D29/101.3

(71) Applicant: **HOLY GUARDS CO., LTD.**, Taichung (TW)

\* cited by examiner

(72) Inventor: **Chieh Ma**, Taipei (TW)

*Primary Examiner* — Randall H Gholson

(73) Assignee: **Holy Guards CO., LTD.**, Taichung (TW)

(57) **CLAIM**

(\*\*) Term: **15 Years**

The ornamental design for a protective gear, as shown and described.

(21) Appl. No.: **29/665,657**

**DESCRIPTION**

(22) Filed: **Oct. 5, 2018**

(51) **LOC (12) Cl.** ..... **29-02**

(52) **U.S. Cl.**  
USPC ..... **D29/100**

(58) **Field of Classification Search**  
USPC ... D29/100, 101, 101.1, 101.2, 101.3, 101.4, D29/101.5; D2/728, 750, 828, 829, 830, D2/831; 2/85, 93, 94, 108; 182/3, 4, 5, 182/6, 7, 8, 9, 129  
CPC ..... F41H 1/00; F41H 1/08  
See application file for complete search history.

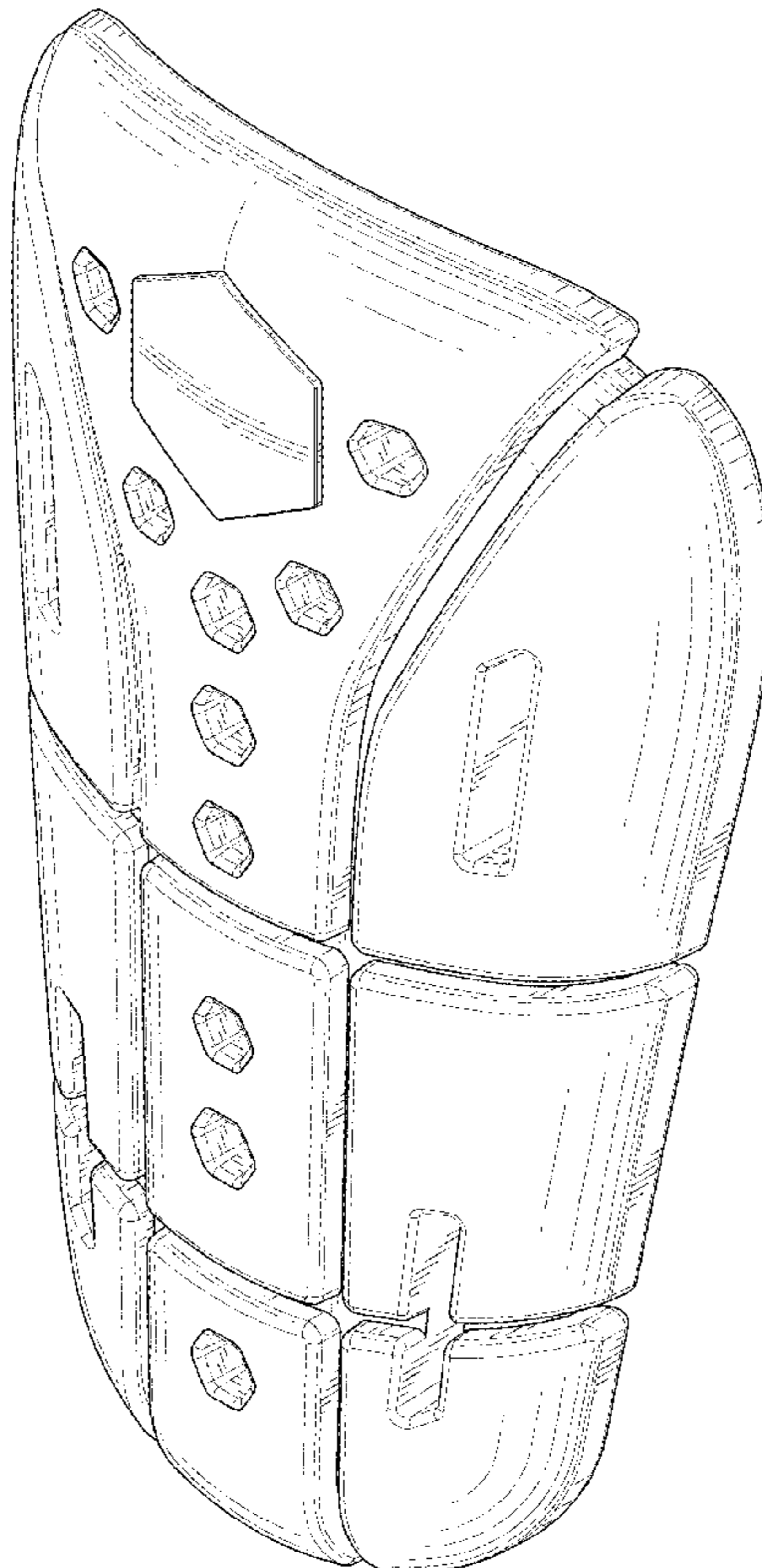
FIG. 1 is a perspective view of an embodiment of a protective gear showing my new design; FIG. 2 is a front elevational view thereof; FIG. 3 is a rear elevational view thereof; FIG. 4 is a left side elevational view thereof; FIG. 5 is a right side elevational view thereof; FIG. 6 is a top plan view thereof; FIG. 7 is a bottom plan view thereof; FIG. 8 is a perspective view of another embodiment of the protective gear showing my new design; FIG. 9 is a front elevational view thereof; FIG. 10 is a rear elevational view thereof; FIG. 11 is a left side elevational view thereof; FIG. 12 is a right side elevational view thereof; FIG. 13 is a top plan view thereof; and, FIG. 14 is a bottom plan view thereof.

(56) **References Cited**

**U.S. PATENT DOCUMENTS**

D474,310 S \* 5/2003 Tonkin ..... D29/100  
D600,860 S \* 9/2009 Durham ..... D29/101.3

**1 Claim, 14 Drawing Sheets**



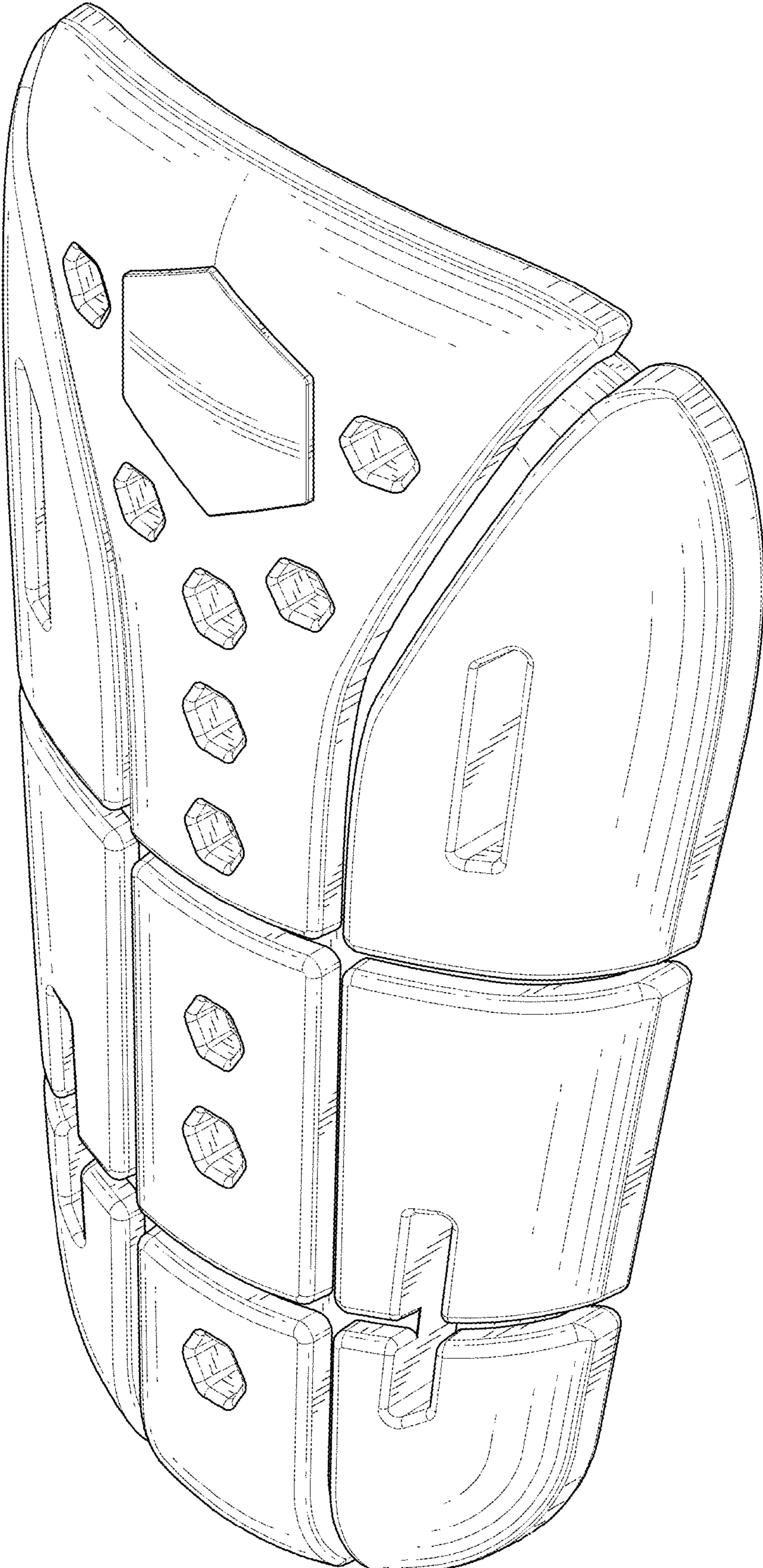


FIG.1

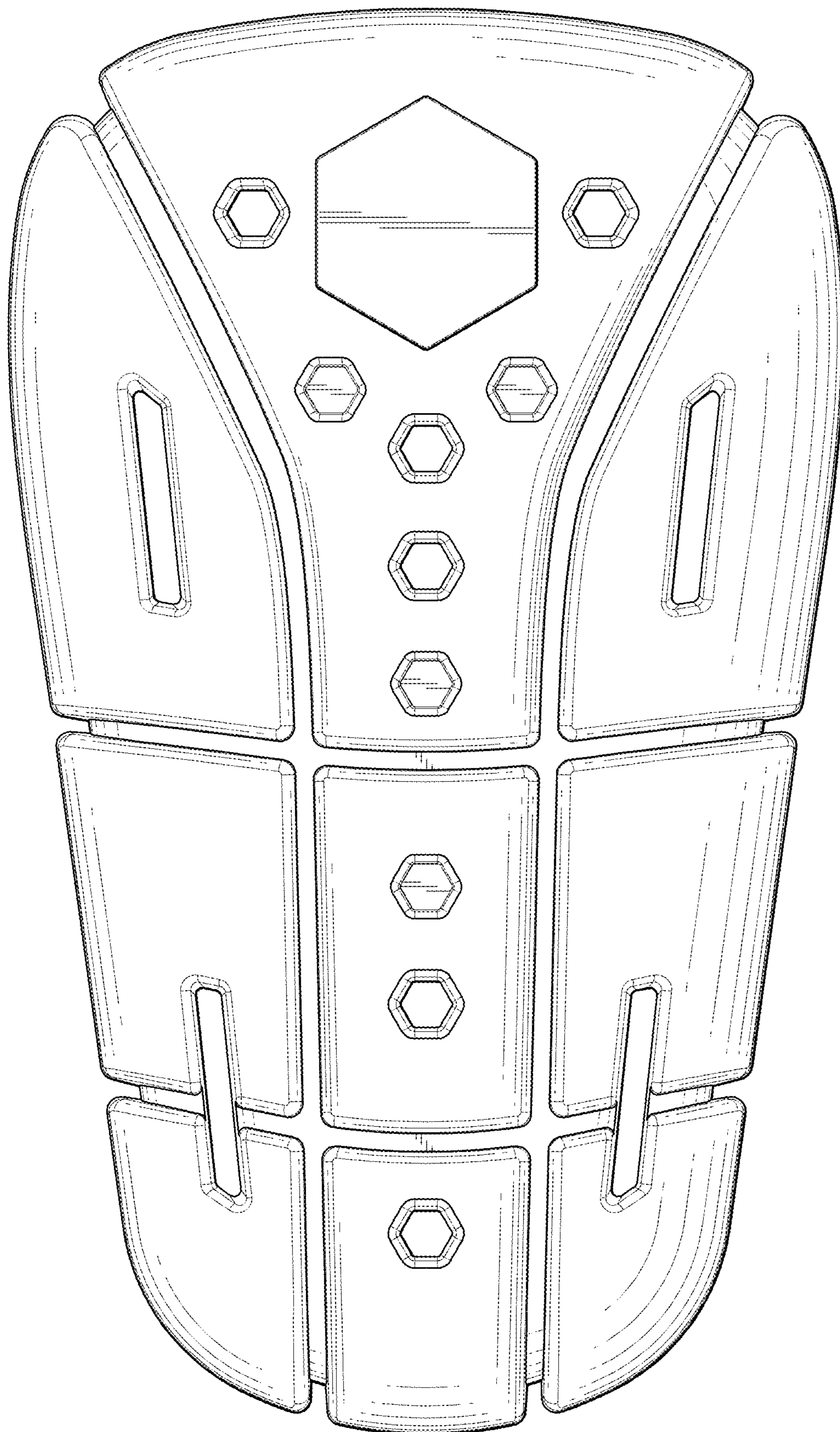


FIG.2

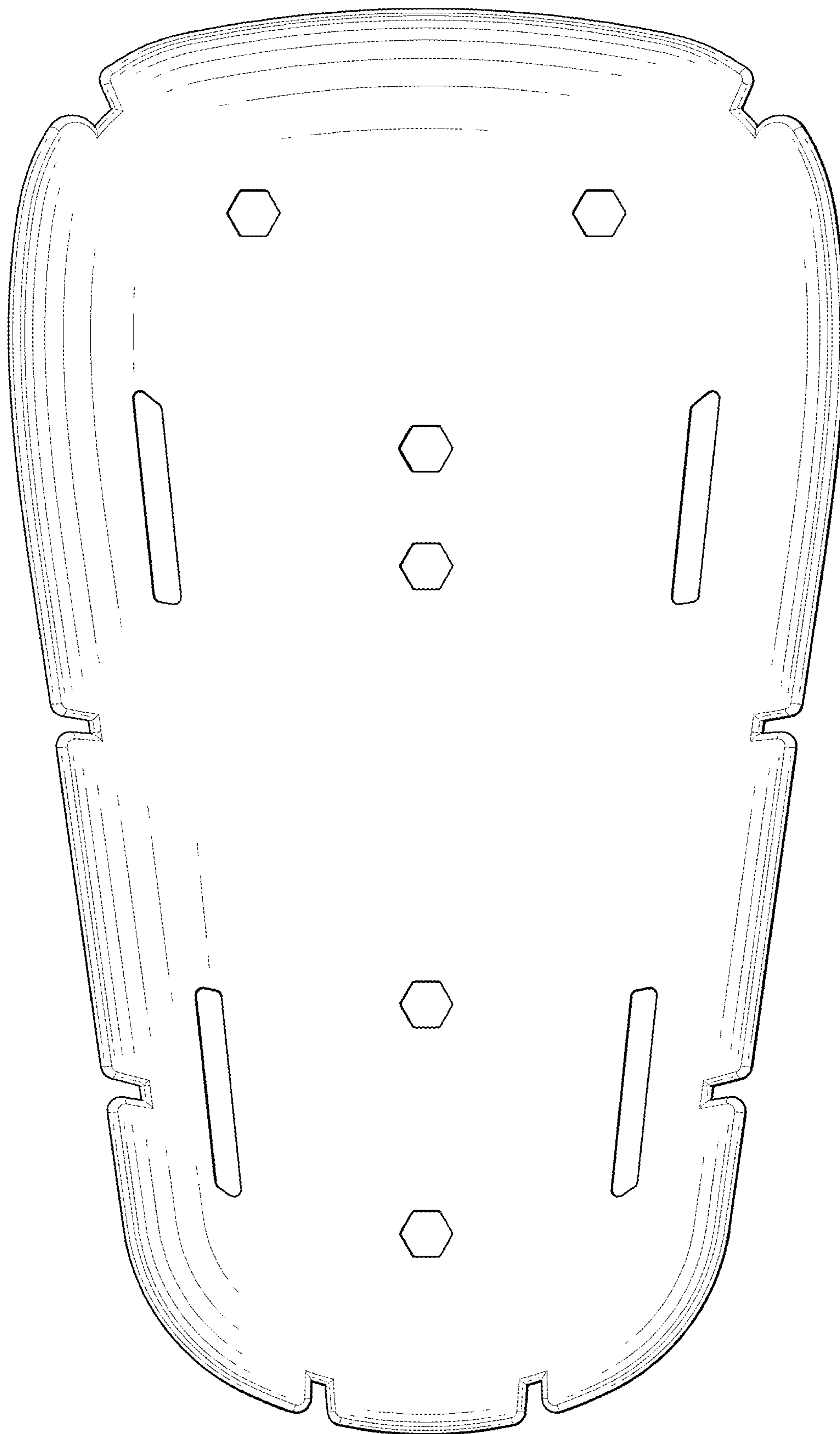


FIG.3

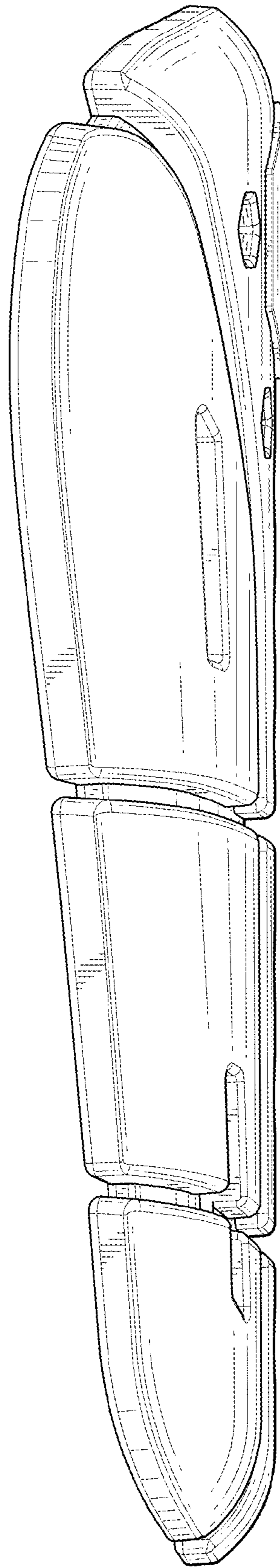


FIG.4

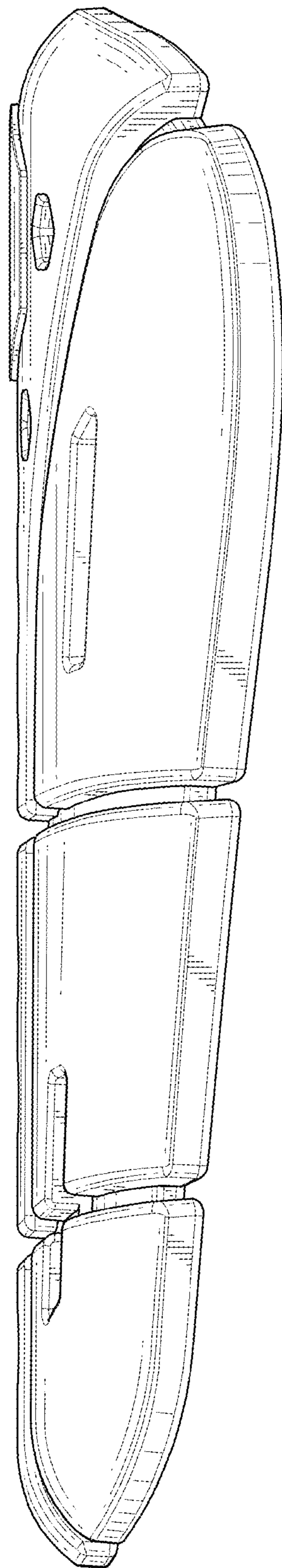


FIG.5

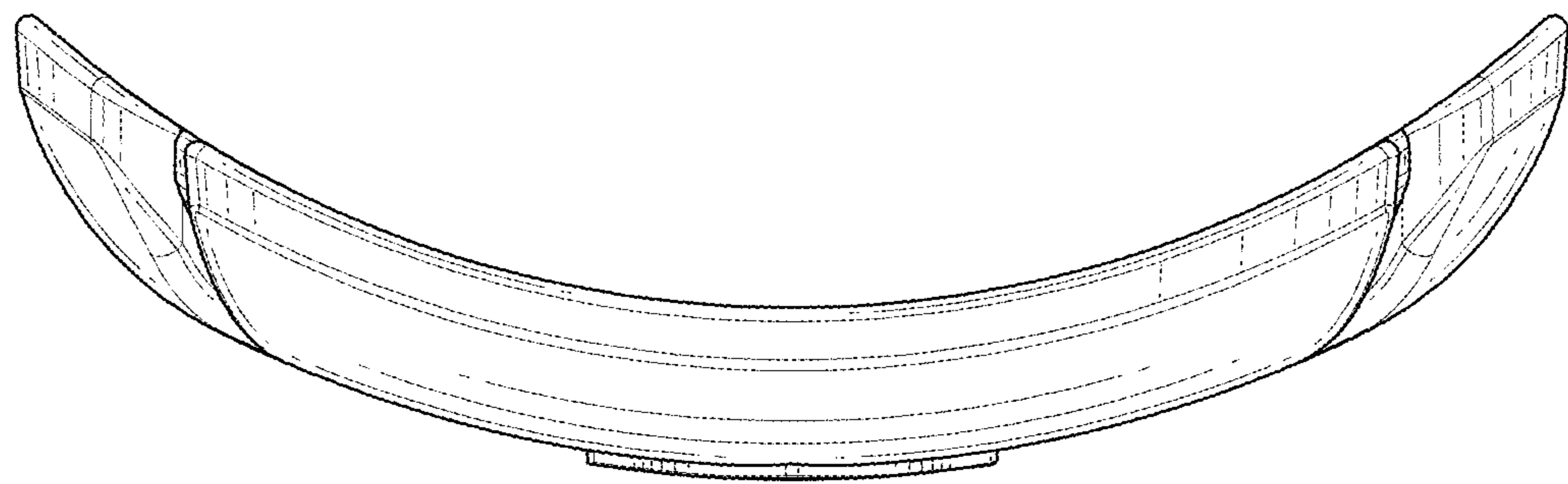


FIG.6

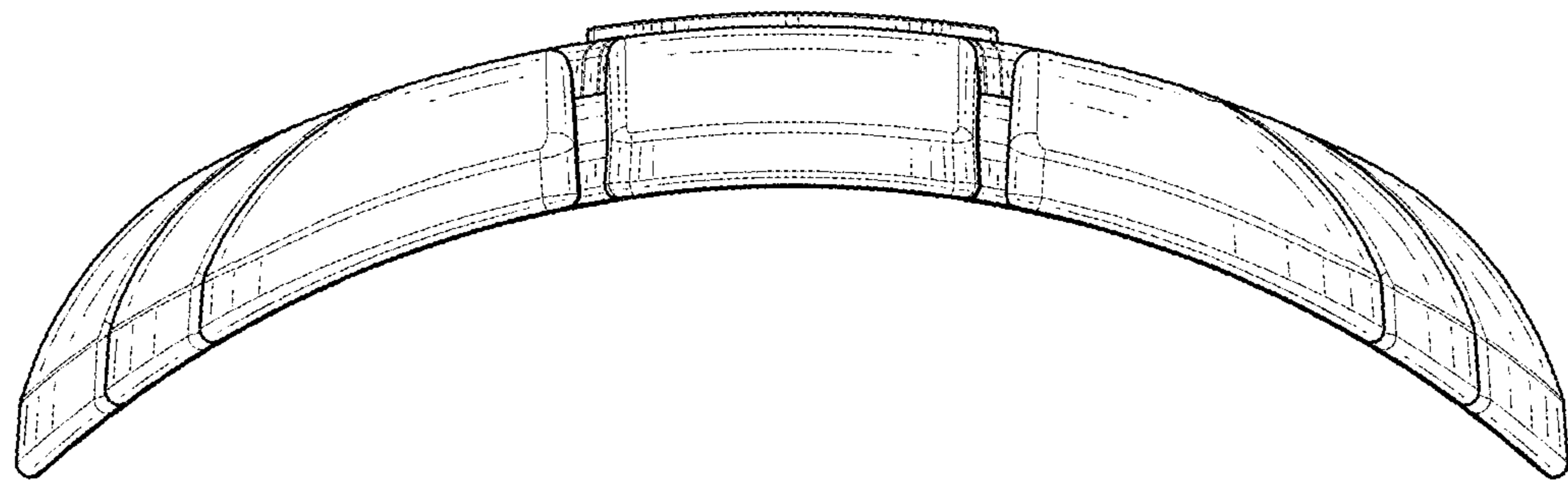


FIG.7



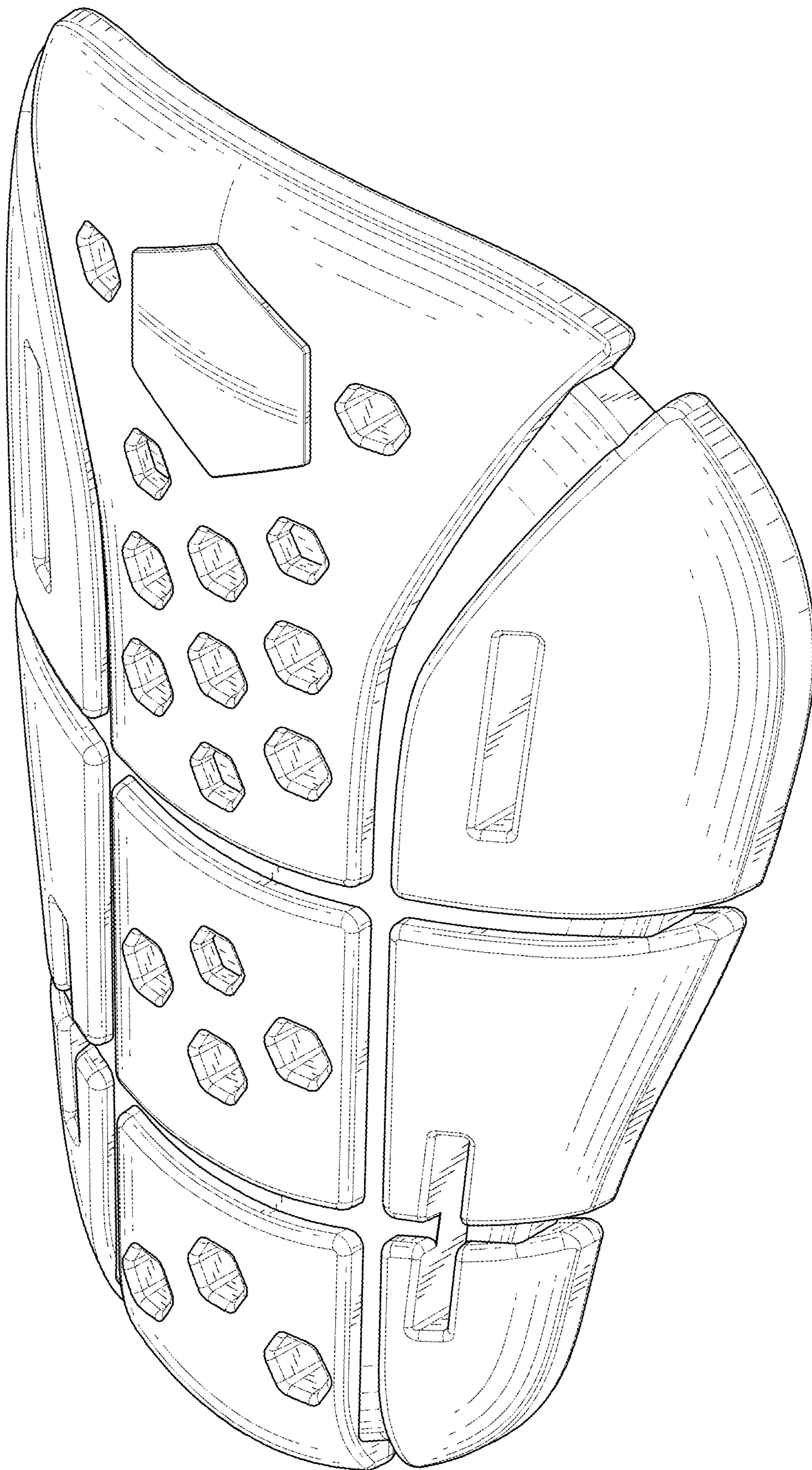


FIG.8

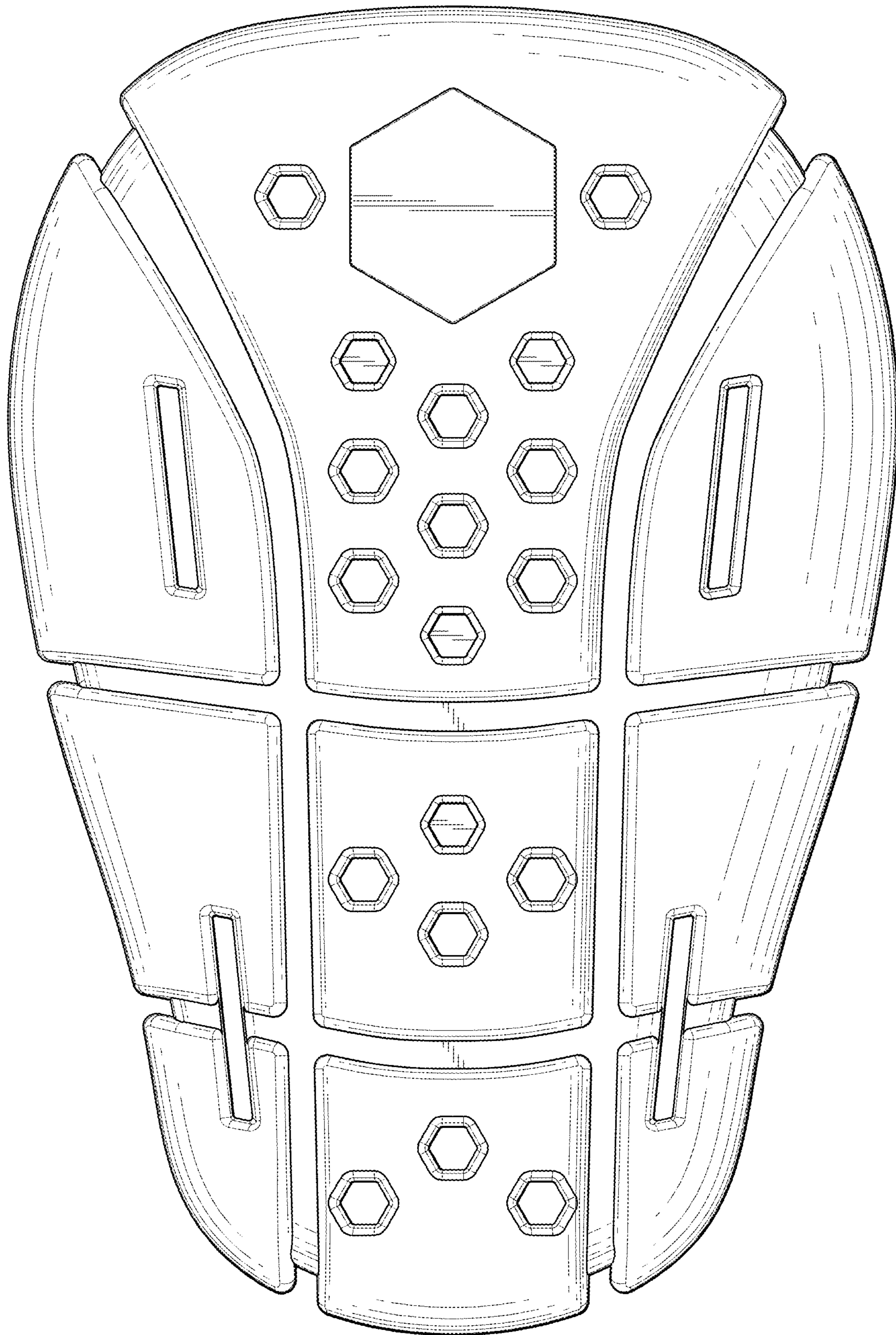


FIG.9

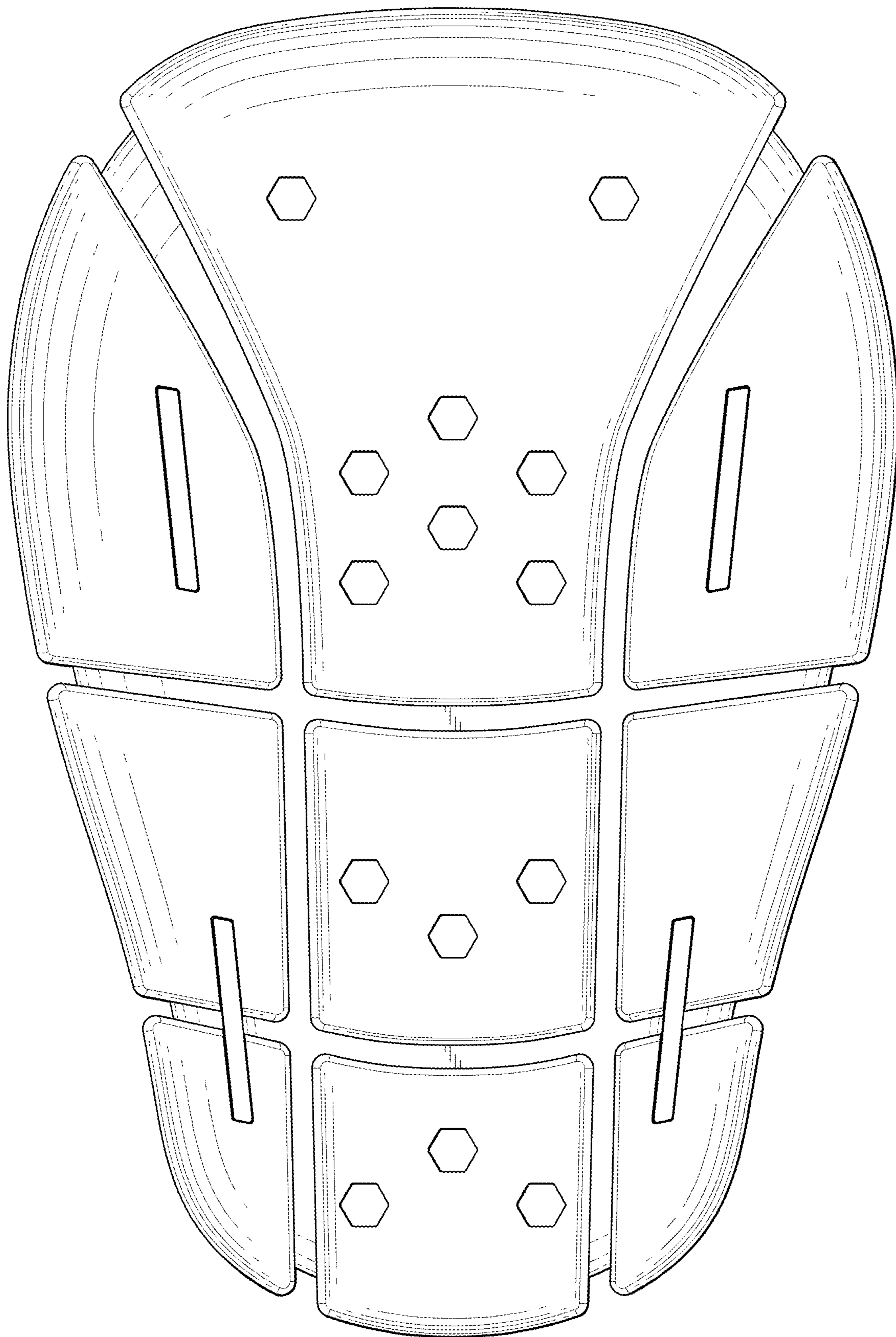


FIG. 10

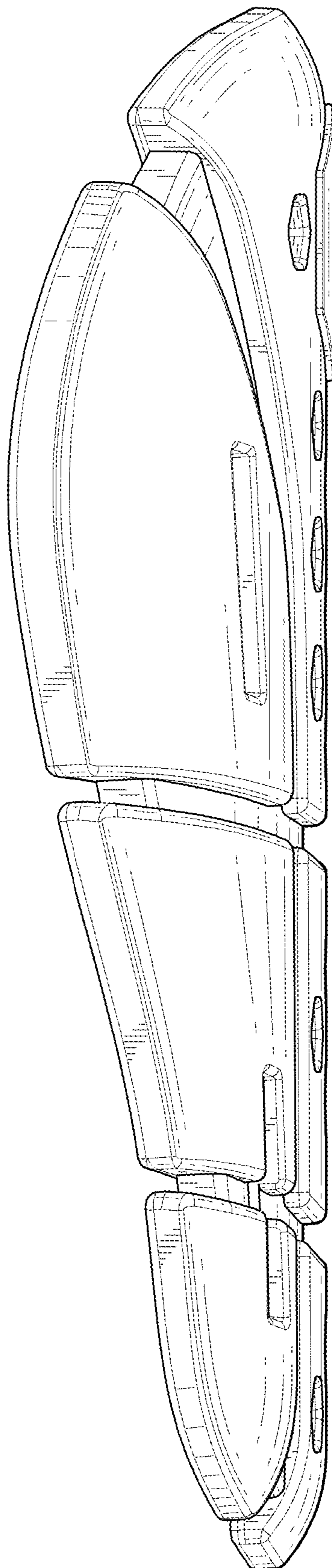


FIG. 11

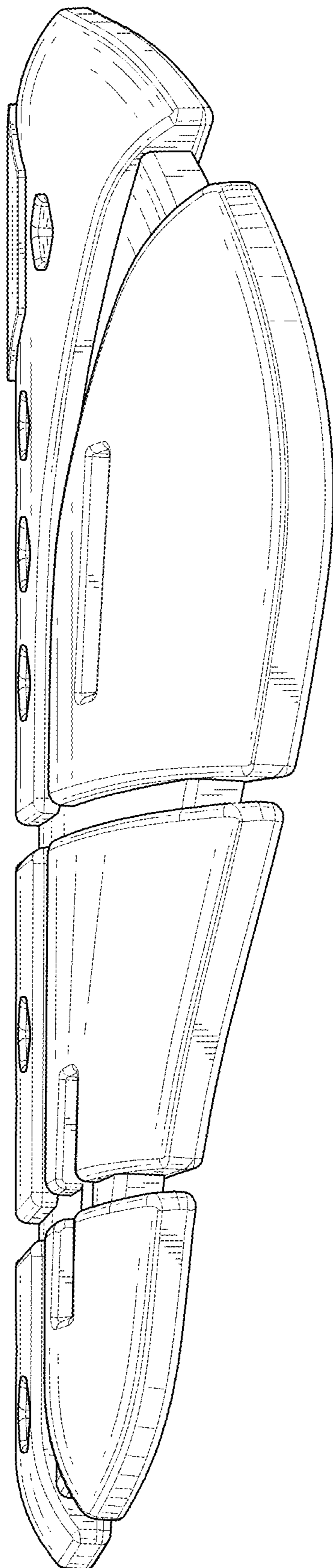


FIG. 12

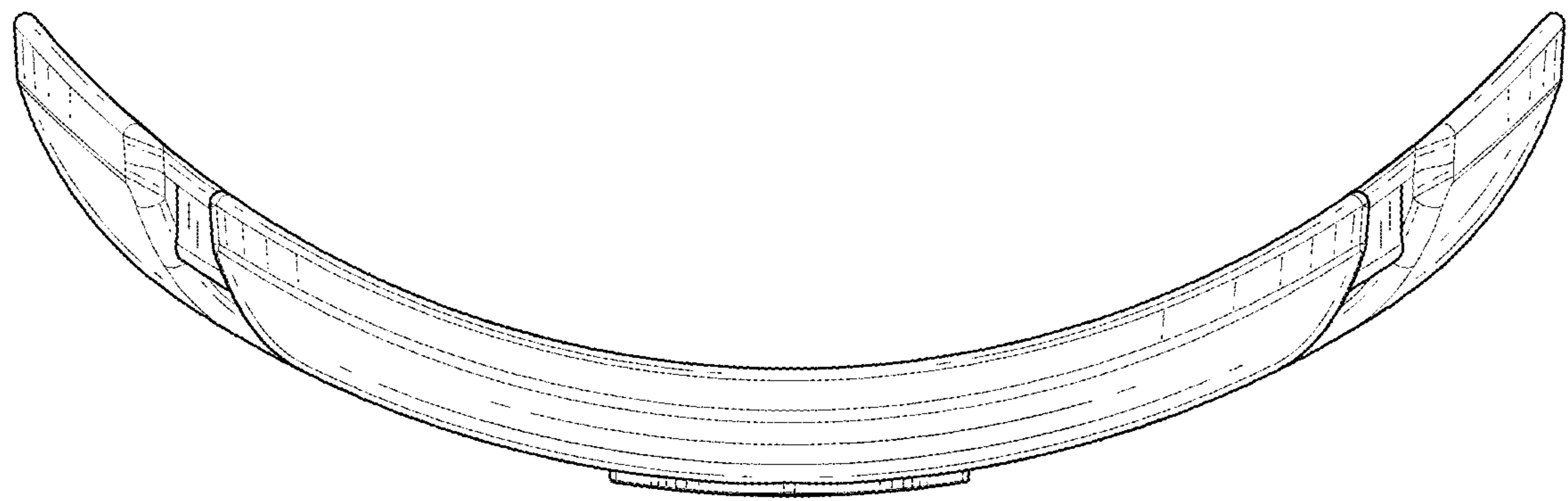


FIG.13

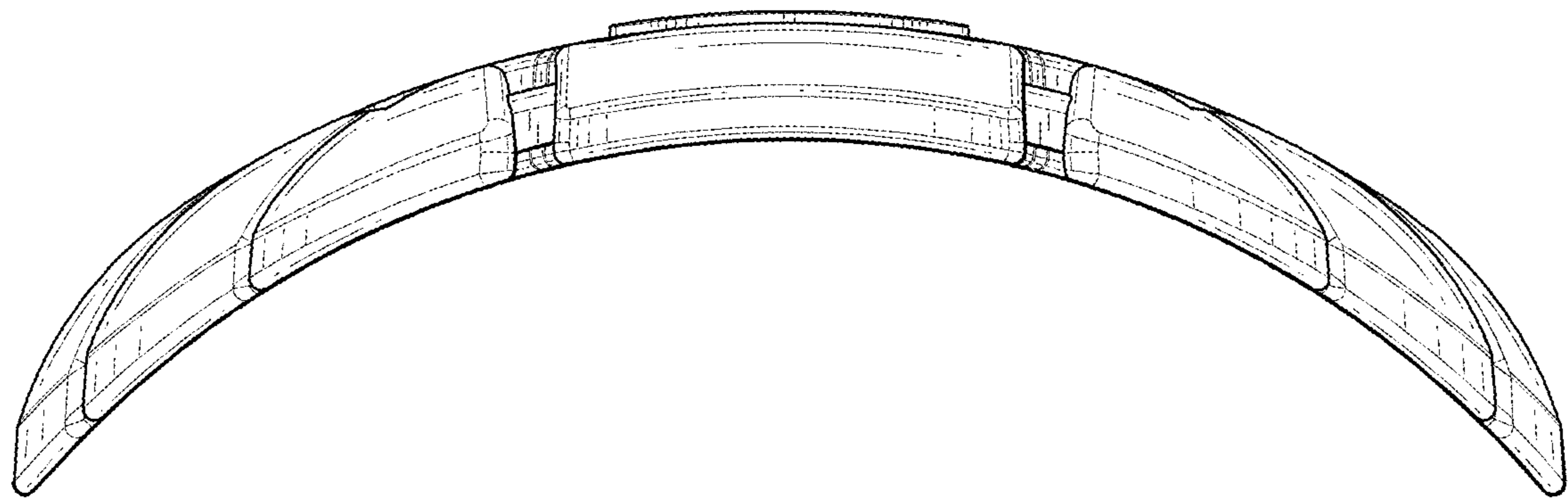


FIG.14