



US00D868379S

(12) **United States Design Patent**  
**Haruma**

(10) **Patent No.:** **US D868,379 S**  
(45) **Date of Patent:** **\*\* Nov. 26, 2019**

(54) **VIDEO GAME CONTROLLER COSMETIC PALETTE**

(71) Applicant: **Mark Haruma**, Torrance, CA (US)

(72) Inventor: **Mark Haruma**, Torrance, CA (US)

(\*\*) Term: **15 Years**

(21) Appl. No.: **29/619,589**

(22) Filed: **Sep. 29, 2017**

(51) **LOC (12) Cl.** ..... **28-03**

(52) **U.S. Cl.**  
USPC ..... **D28/79**

(58) **Field of Classification Search**

USPC ..... D28/8.2, 76-87; D21/455; D14/401;  
D3/901, 903

CPC .. A45D 40/00; A45D 40/02-10; A45D 33/00;  
A45D 33/14; A45D 34/06; A45D

(Continued)

(56) **References Cited**

**U.S. PATENT DOCUMENTS**

D312,401 S \* 11/1990 Thuin ..... D3/294

D376,826 S \* 12/1996 Ashida ..... D14/401

D439,019 S \* 3/2001 Motosko ..... D28/76

(Continued)

**OTHER PUBLICATIONS**

She Uemura and Nintendo Super Mario makeup collection, article published on Jul. 14, 2017 on luxurylaunches.com, retrieved on Jul. 31, 2018, retrieved from the Internet URL: <http://luxurylaunches.com/fashion/shu-uemura-and-nintendo-collaborate-for-an-exclusive-super-mario-makeup-collection.php>.\*

*Primary Examiner* — Jennifer Rivard

*Assistant Examiner* — Alison M Ofstun

(74) *Attorney, Agent, or Firm* — Patterson Thuent Pedersen, P.A.

(57) **CLAIM**

The ornamental design for a video game controller cosmetic palette, as shown and described.

**DESCRIPTION**

FIG. 1 is a top perspective view of a first embodiment of a video game controller cosmetic palette showing my new design, shown in a closed configuration.

FIG. 2 is a front elevational view of the video game controller cosmetic palette depicted in FIG. 1.

FIG. 3 is a rear elevational view of the video game controller cosmetic palette depicted in FIG. 1.

FIG. 4 is a right side elevational view of the video game controller cosmetic palette depicted in FIG. 1.

FIG. 5 is a left side elevational view of the video game controller cosmetic palette depicted in FIG. 1.

FIG. 6 is a top plan view of the video game controller cosmetic palette depicted in FIG. 1.

FIG. 7 is a bottom plan view of the video game controller cosmetic palette depicted in FIG. 1.

FIG. 8 is a top perspective view of the video game controller cosmetic palette of FIG. 1 in an opened configuration.

FIG. 9 is a top perspective view of a second embodiment of a video game controller cosmetic palette.

FIG. 10 is a front elevational view of the video game controller cosmetic palette depicted in FIG. 9.

FIG. 11 is a rear elevational view of the video game controller cosmetic palette depicted in FIG. 9.

FIG. 12 is a right side elevational view of the video game controller cosmetic palette depicted in FIG. 9.

FIG. 13 is a left side elevational view of the video game controller cosmetic palette depicted in FIG. 9.

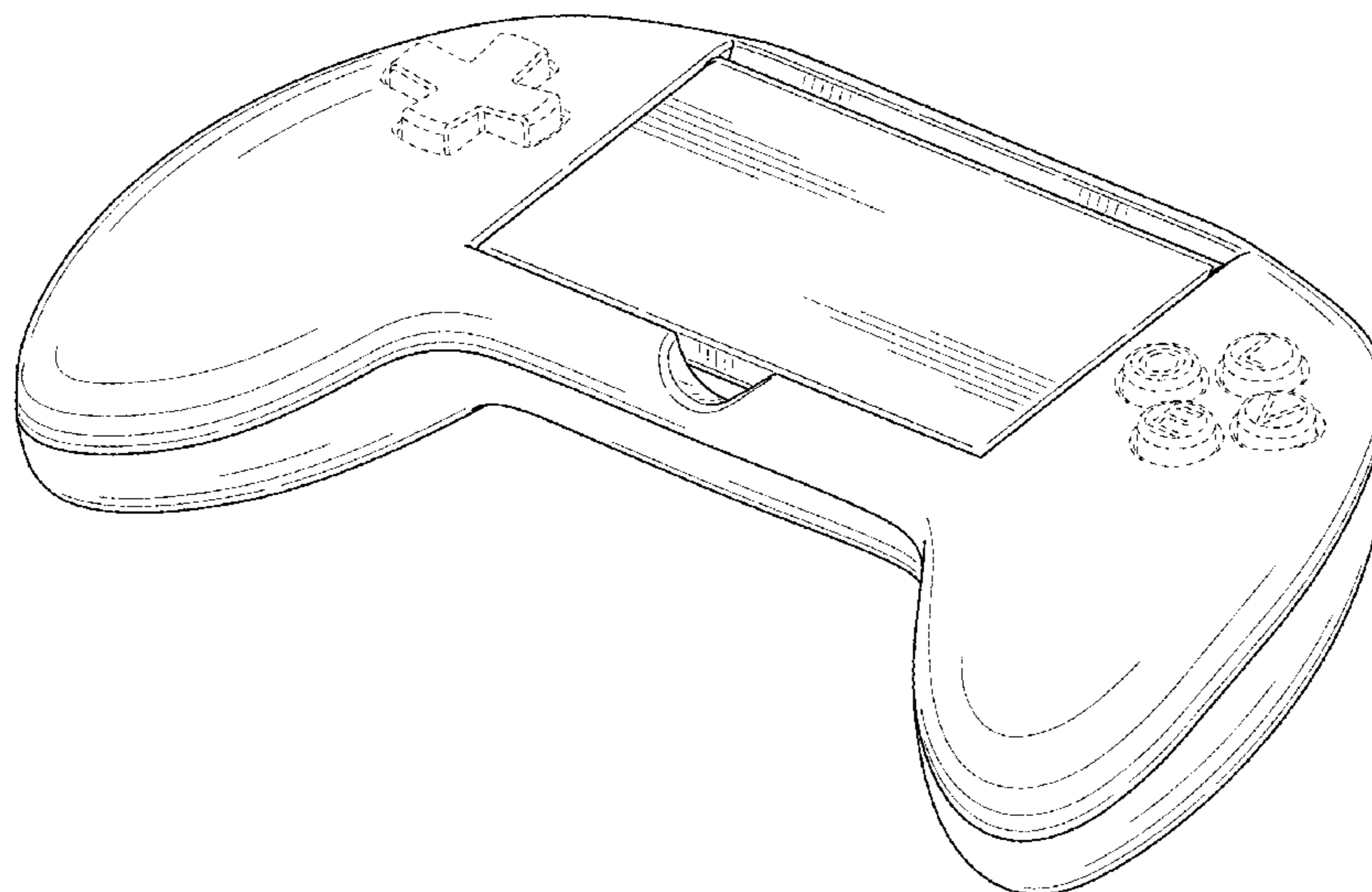
FIG. 14 is a top plan view of the video game controller cosmetic palette depicted in FIG. 9.

FIG. 15 is a bottom plan view of the video game controller cosmetic palette depicted in FIG. 9; and,

FIG. 16 is a top perspective view of a video game controller cosmetic palette of FIG. 9 in an opened configuration.

The broken lines in the figures represent portions of the article which form no part of the claimed design.

**1 Claim, 12 Drawing Sheets**



(58) **Field of Classification Search**

CPC ..... 34/041; A45D 34/04; A45D 40/18; A45D  
40/26; A45D 40/262

See application file for complete search history.

(56) **References Cited**

U.S. PATENT DOCUMENTS

D456,954 S *	5/2002	Restrepo .....	D28/83
D599,060 S *	8/2009	Bennett .....	D28/83
D626,290 S *	10/2010	Ohmoto .....	D28/83
D643,155 S *	8/2011	Ohmoto .....	D28/83
D687,601 S *	8/2013	Ko .....	D28/77
D687,634 S *	8/2013	Greenfield .....	D28/83
D806,078 S *	12/2017	Goldman .....	D14/401
D806,532 S *	1/2018	Richmond .....	D9/420
D819,641 S *	6/2018	Tsuchiya .....	D14/401

\* cited by examiner

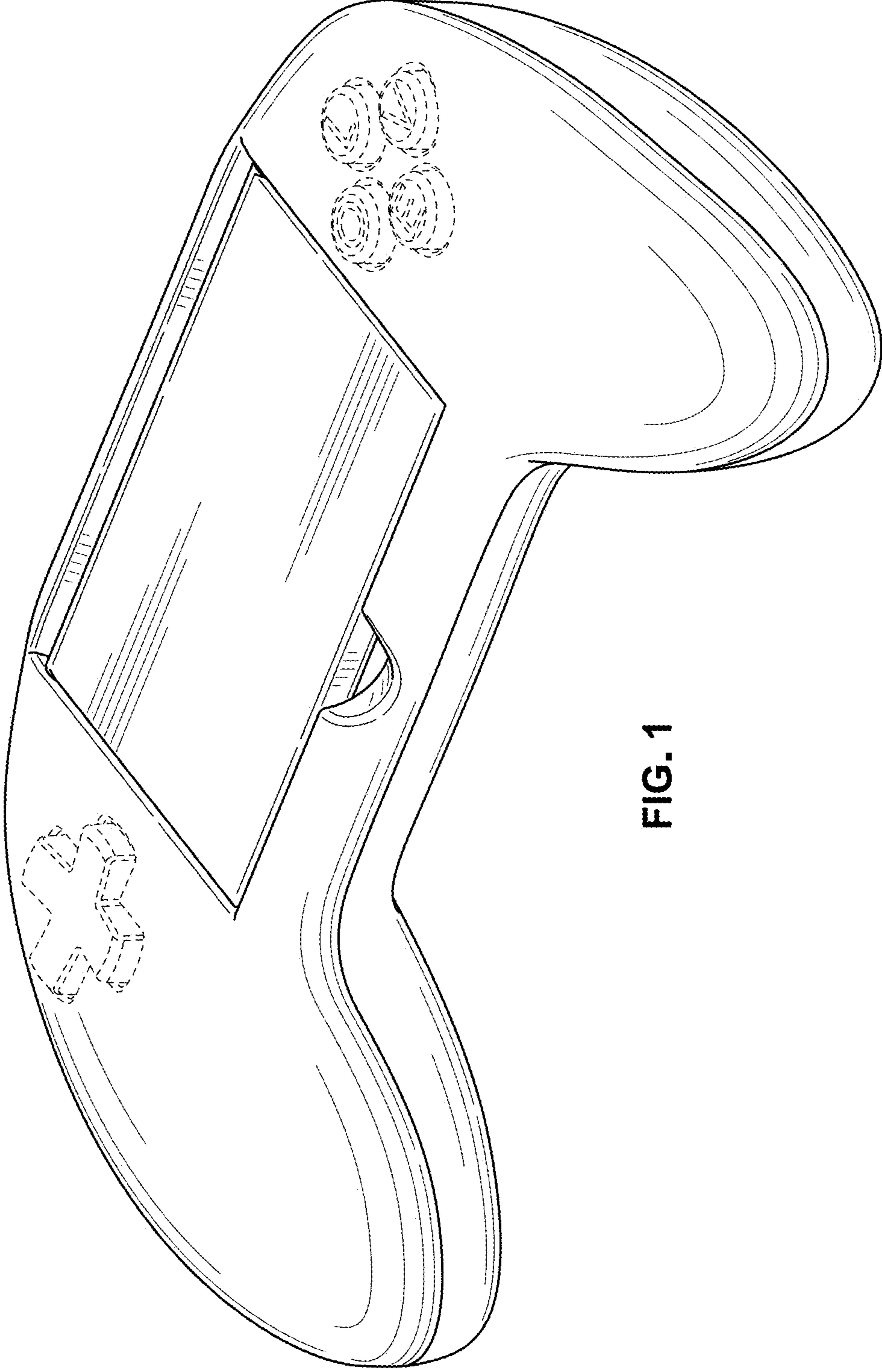


FIG. 1

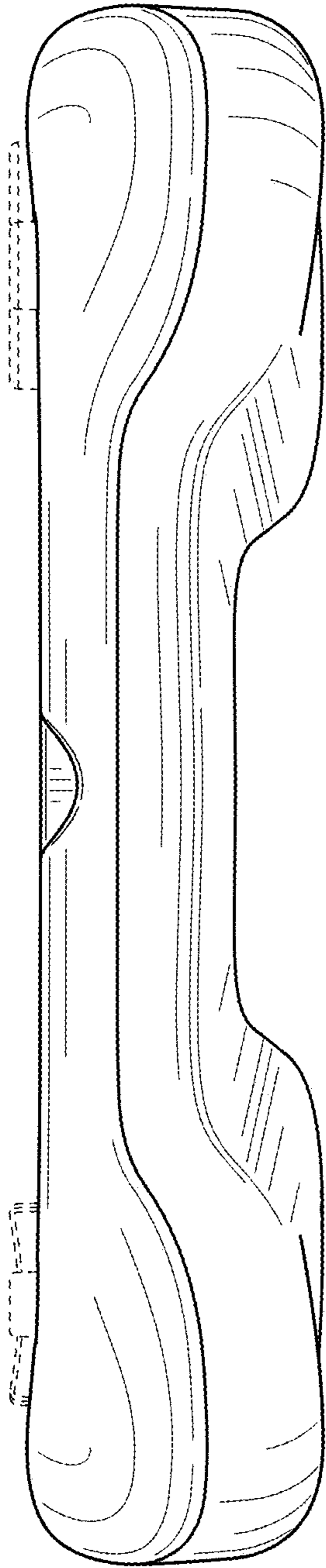


FIG. 2

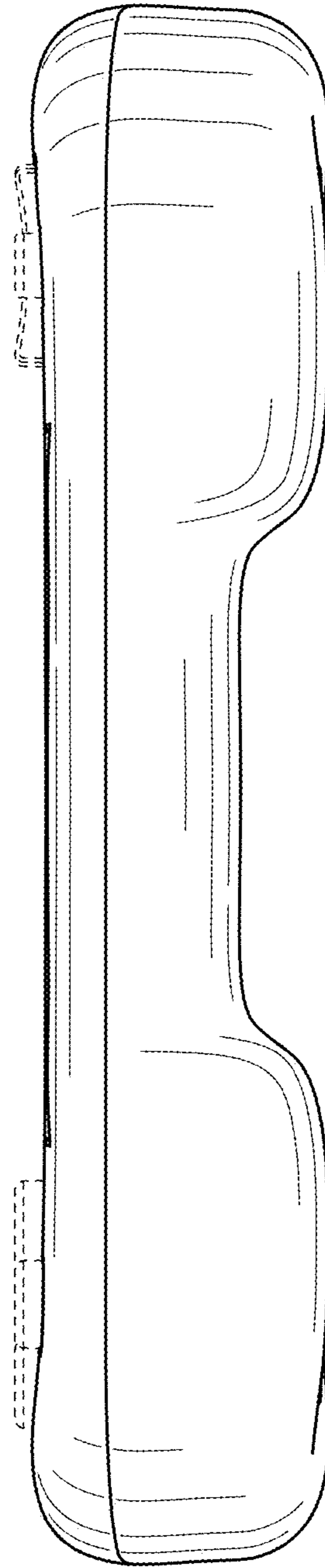


FIG. 3

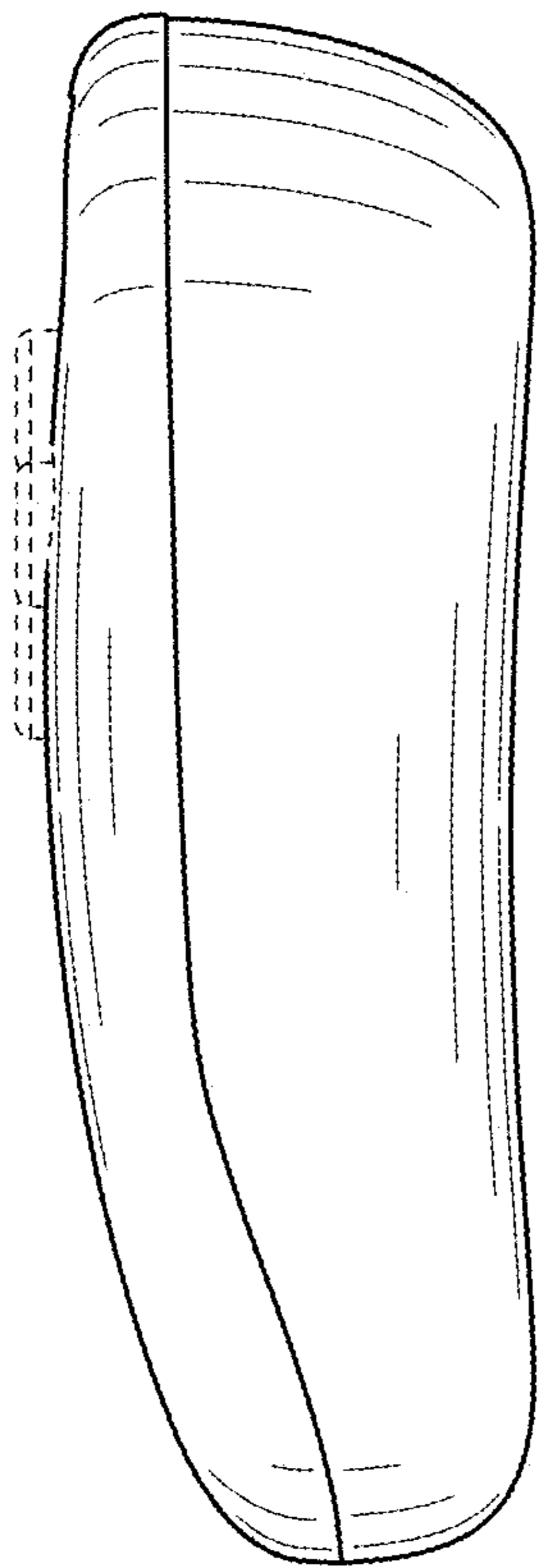


FIG. 4

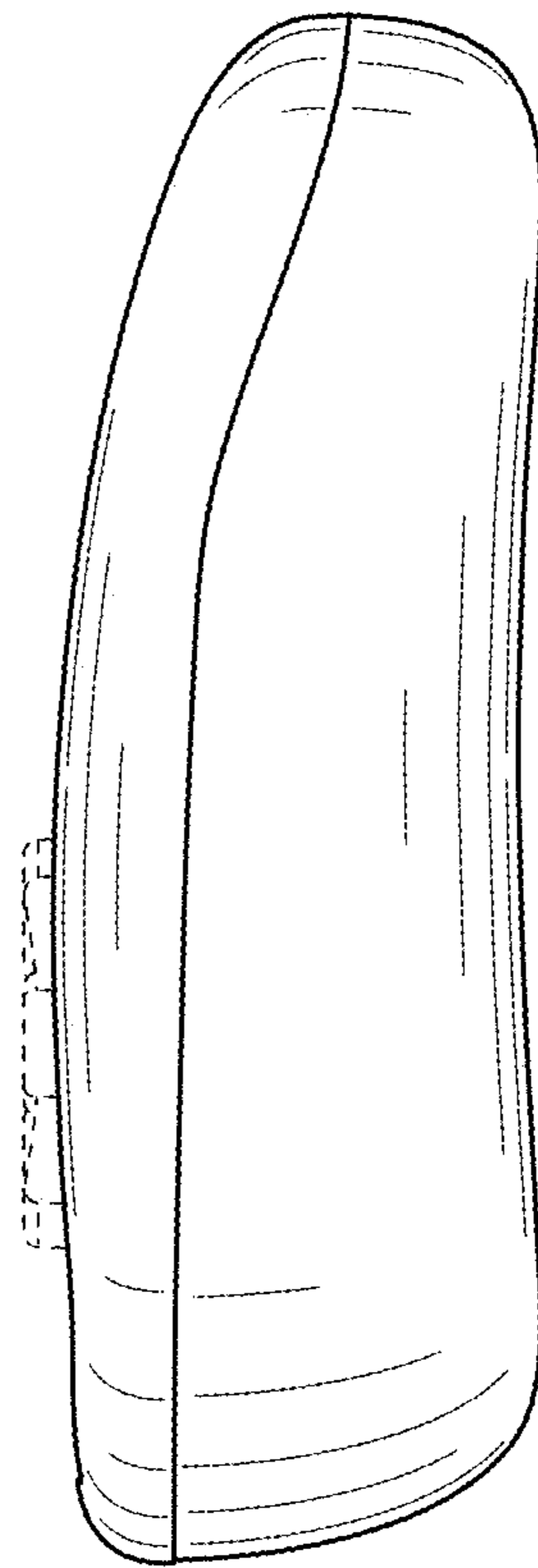


FIG. 5

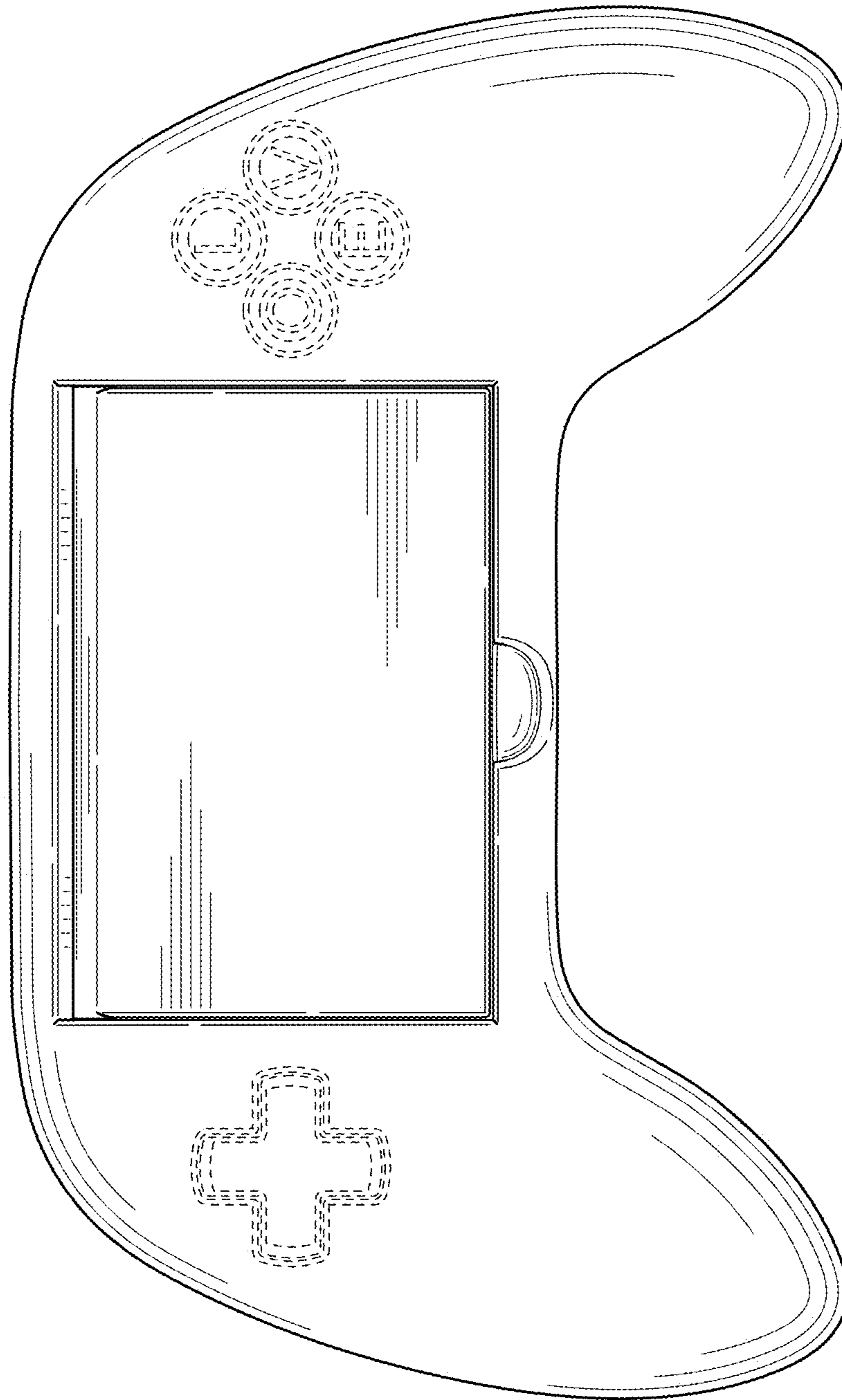


FIG. 6

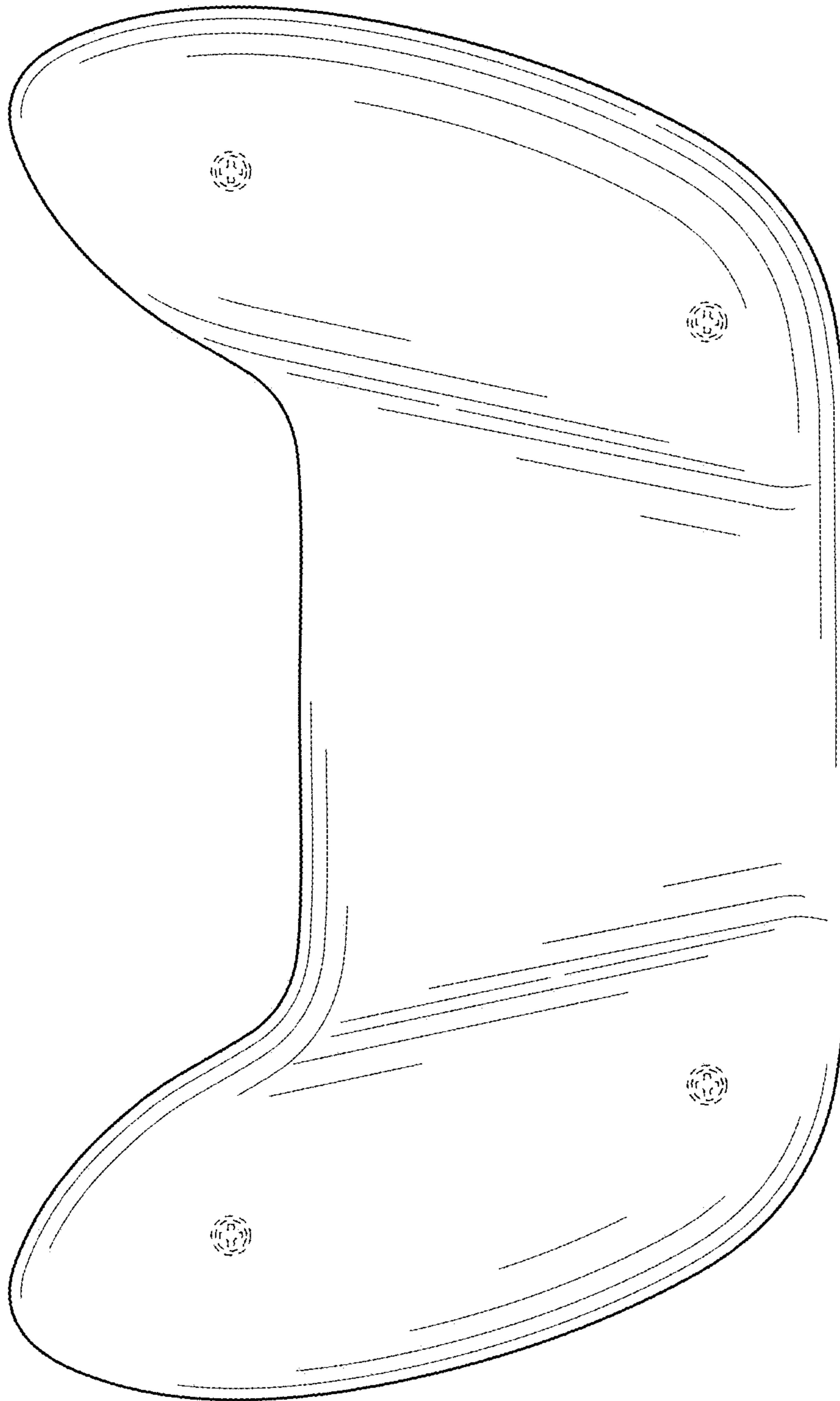


FIG. 7

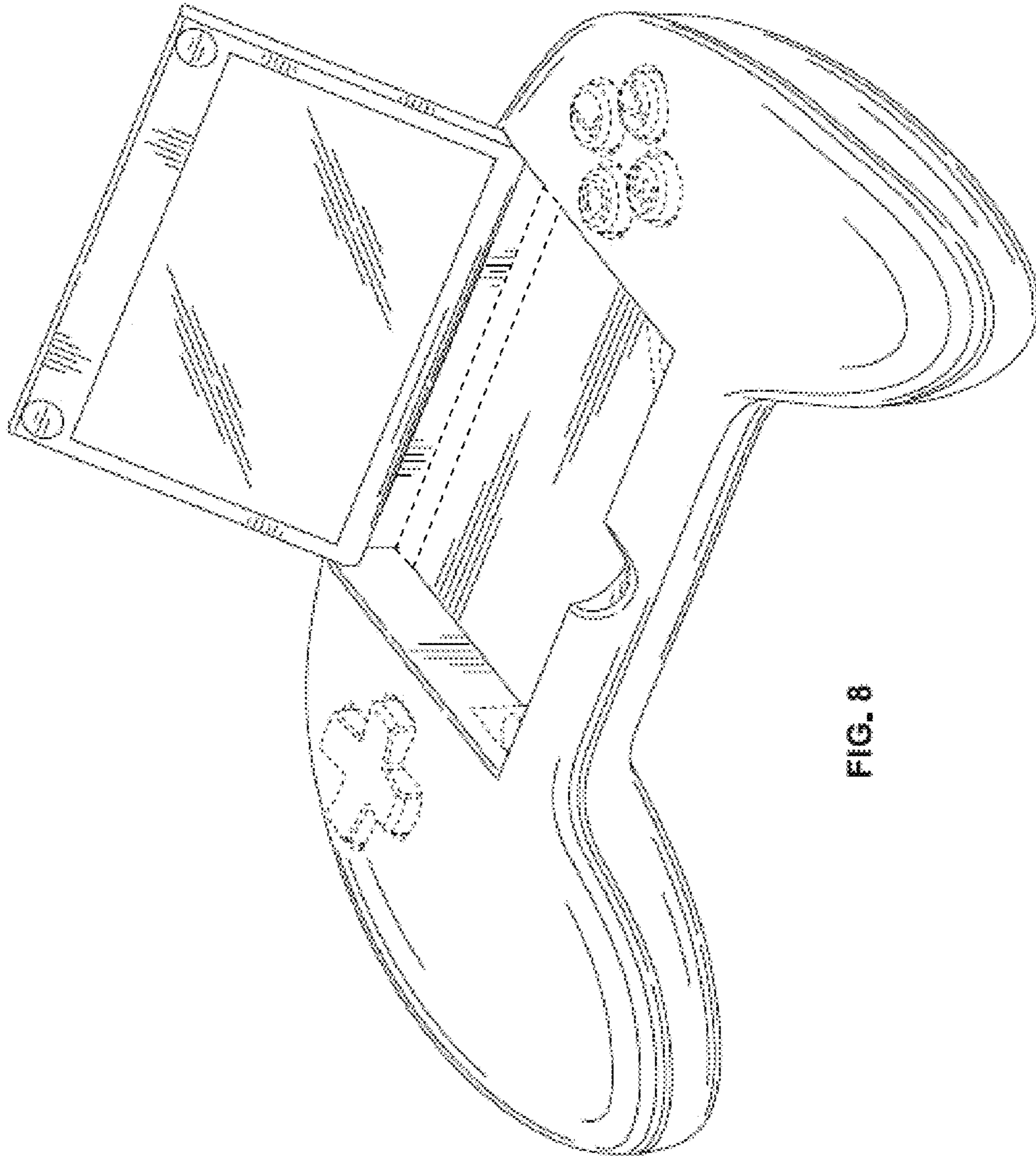


FIG. 8



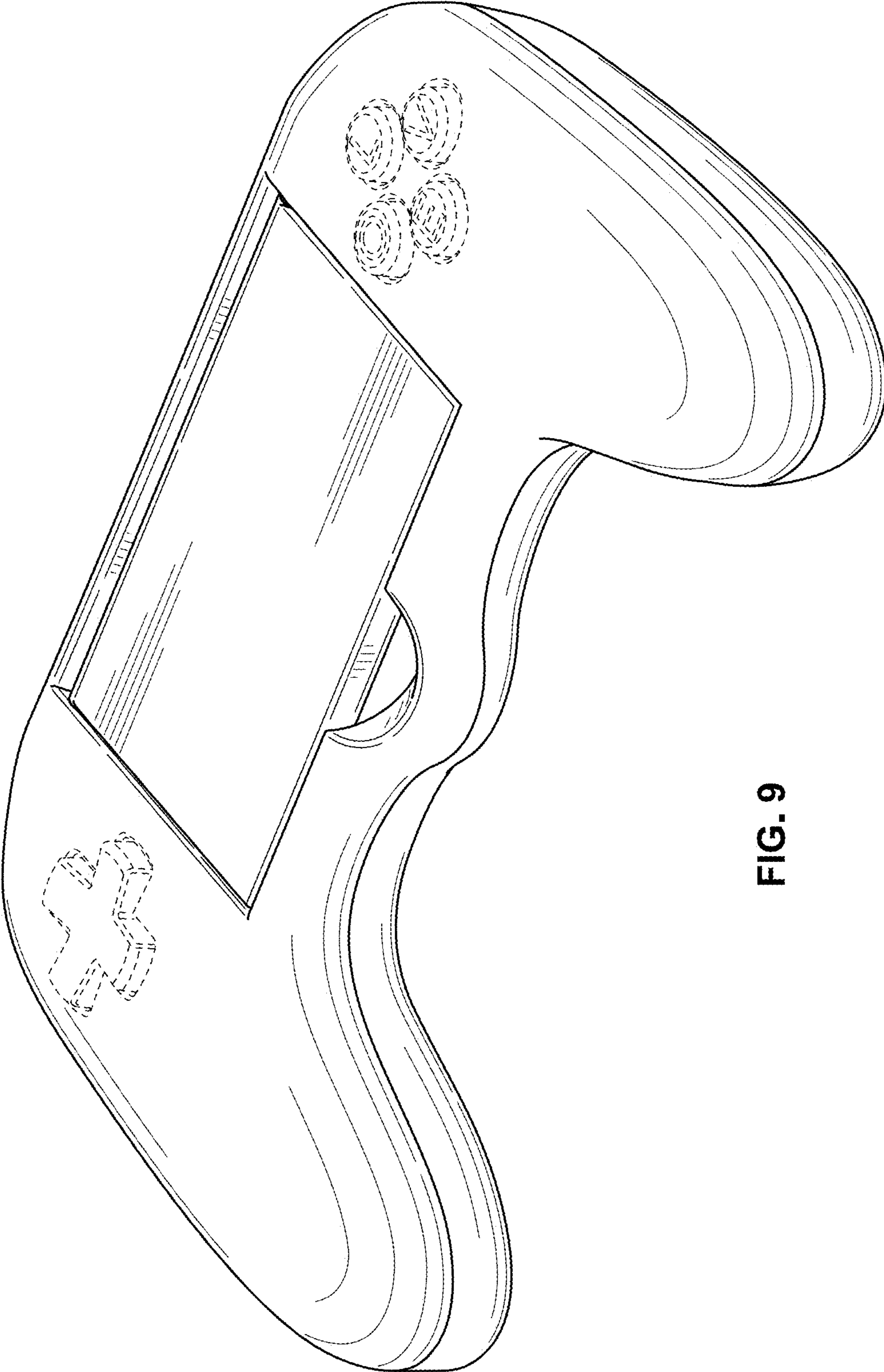


FIG. 9

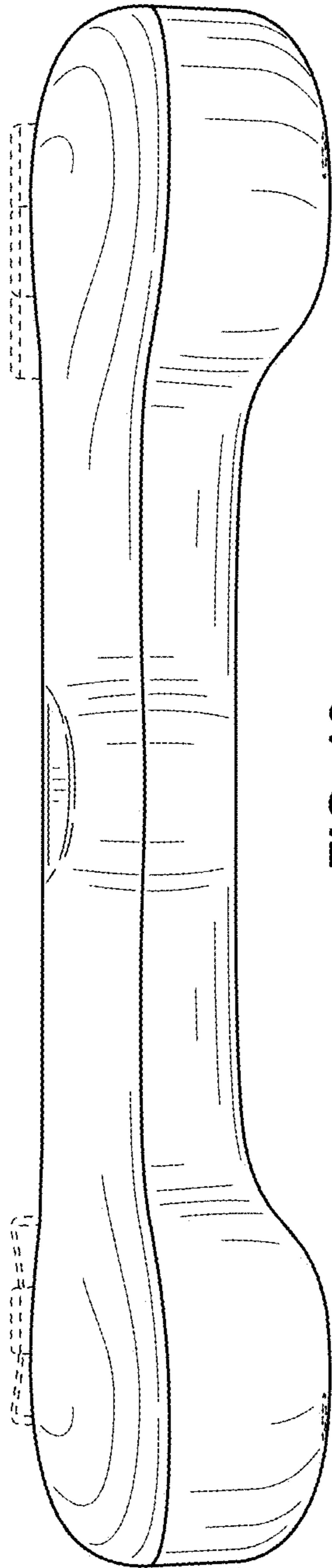


FIG. 10

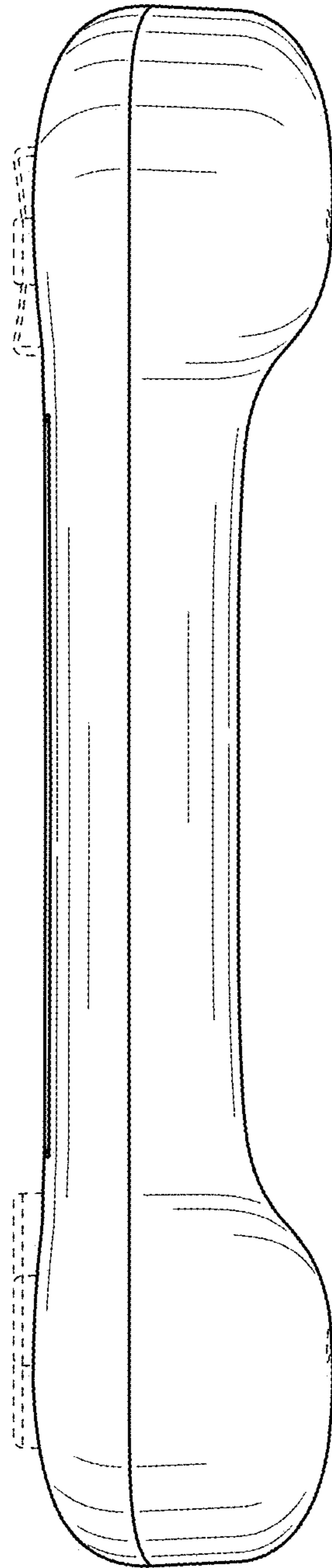


FIG. 11

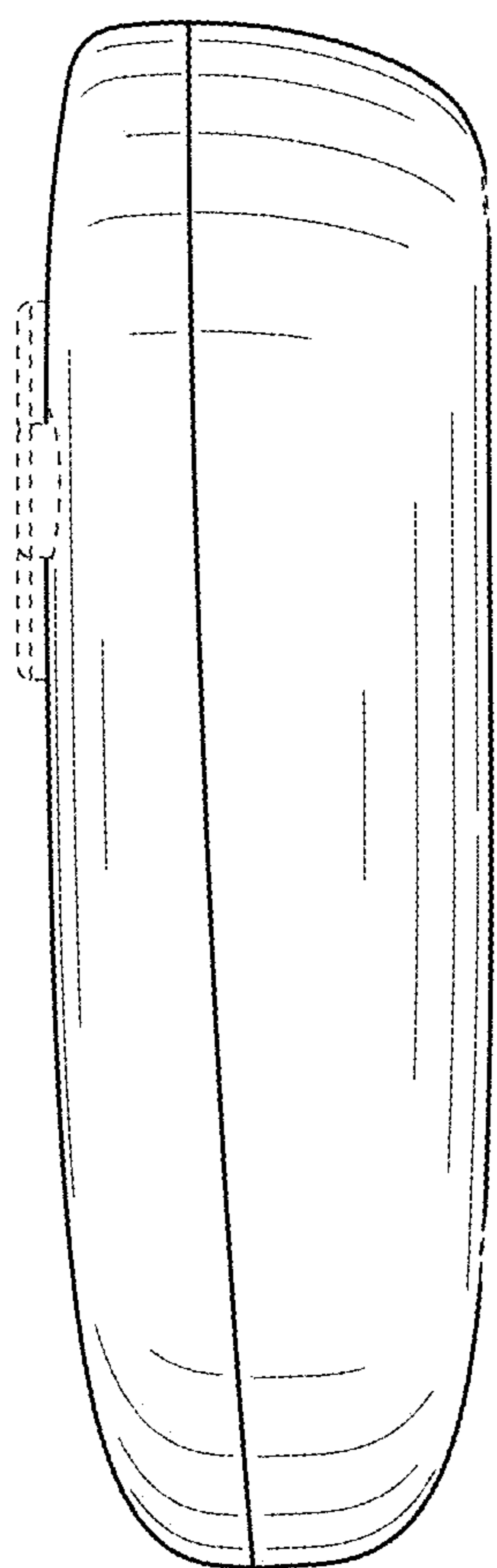


FIG. 12

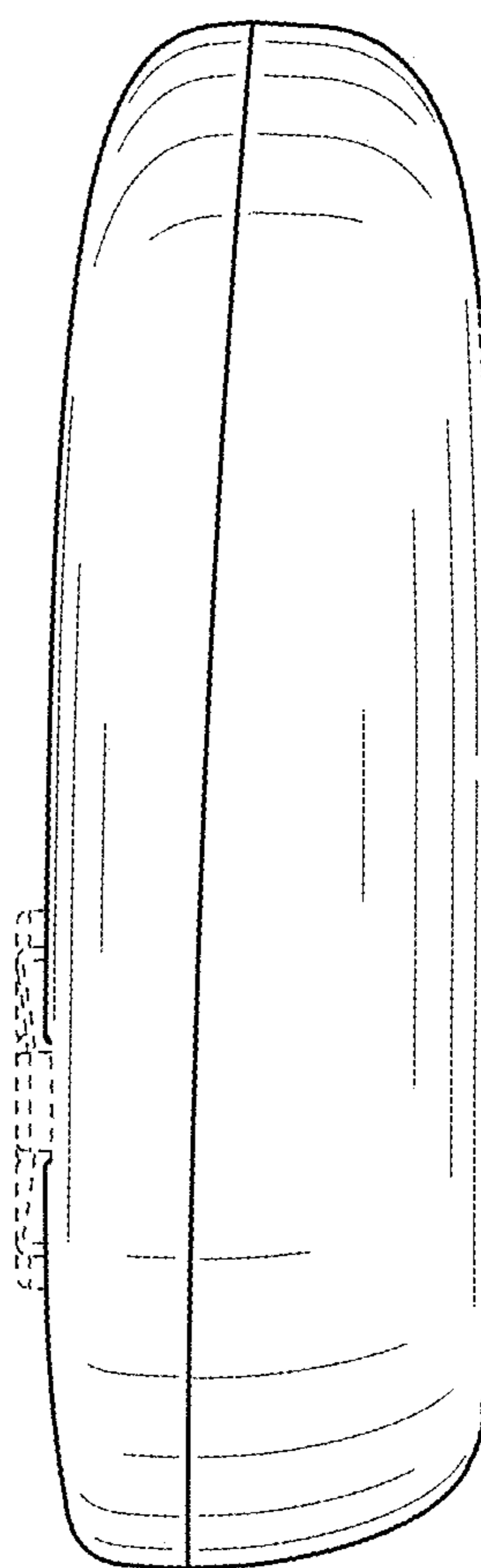


FIG. 13

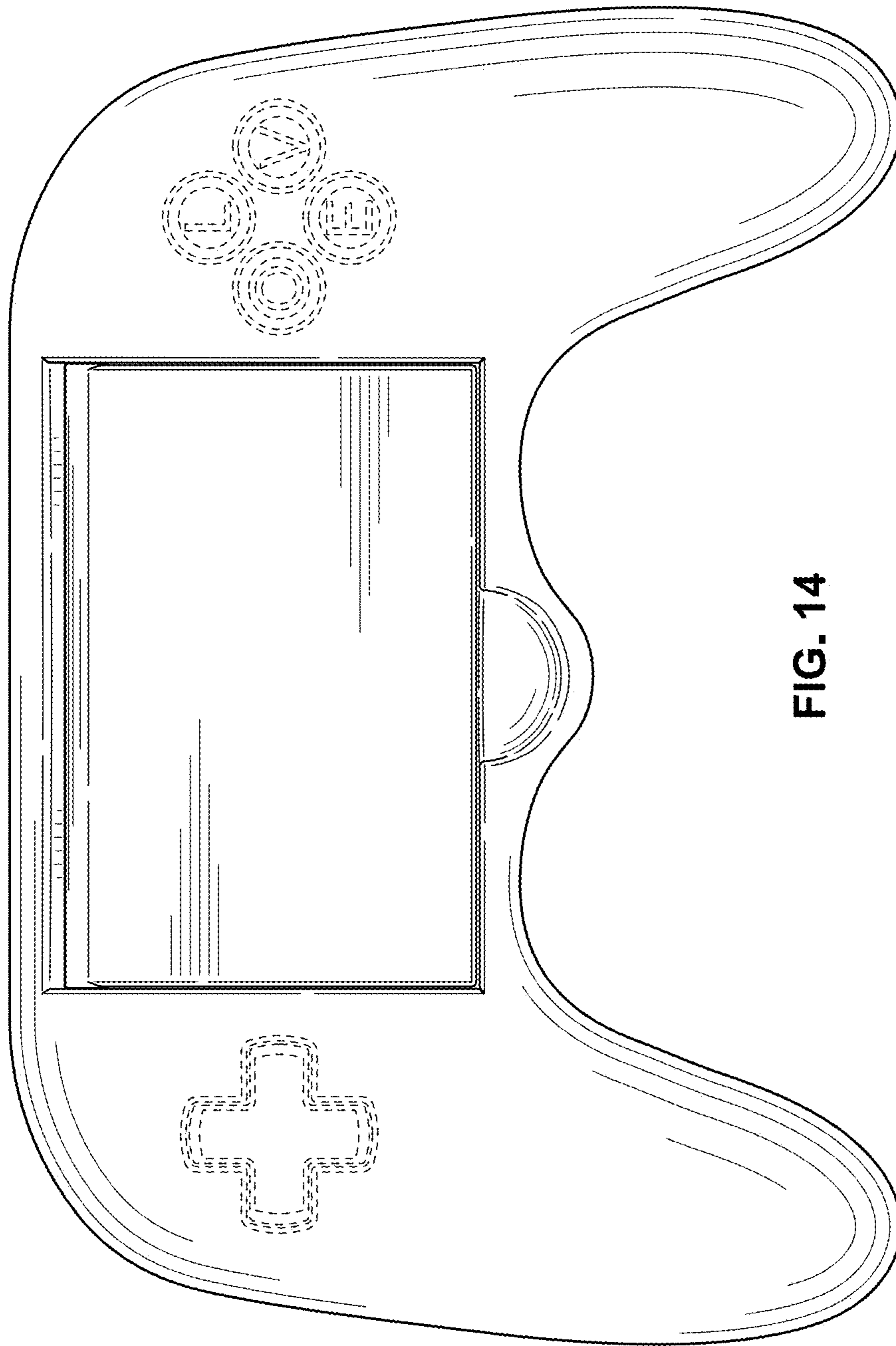


FIG. 14



FIG. 15

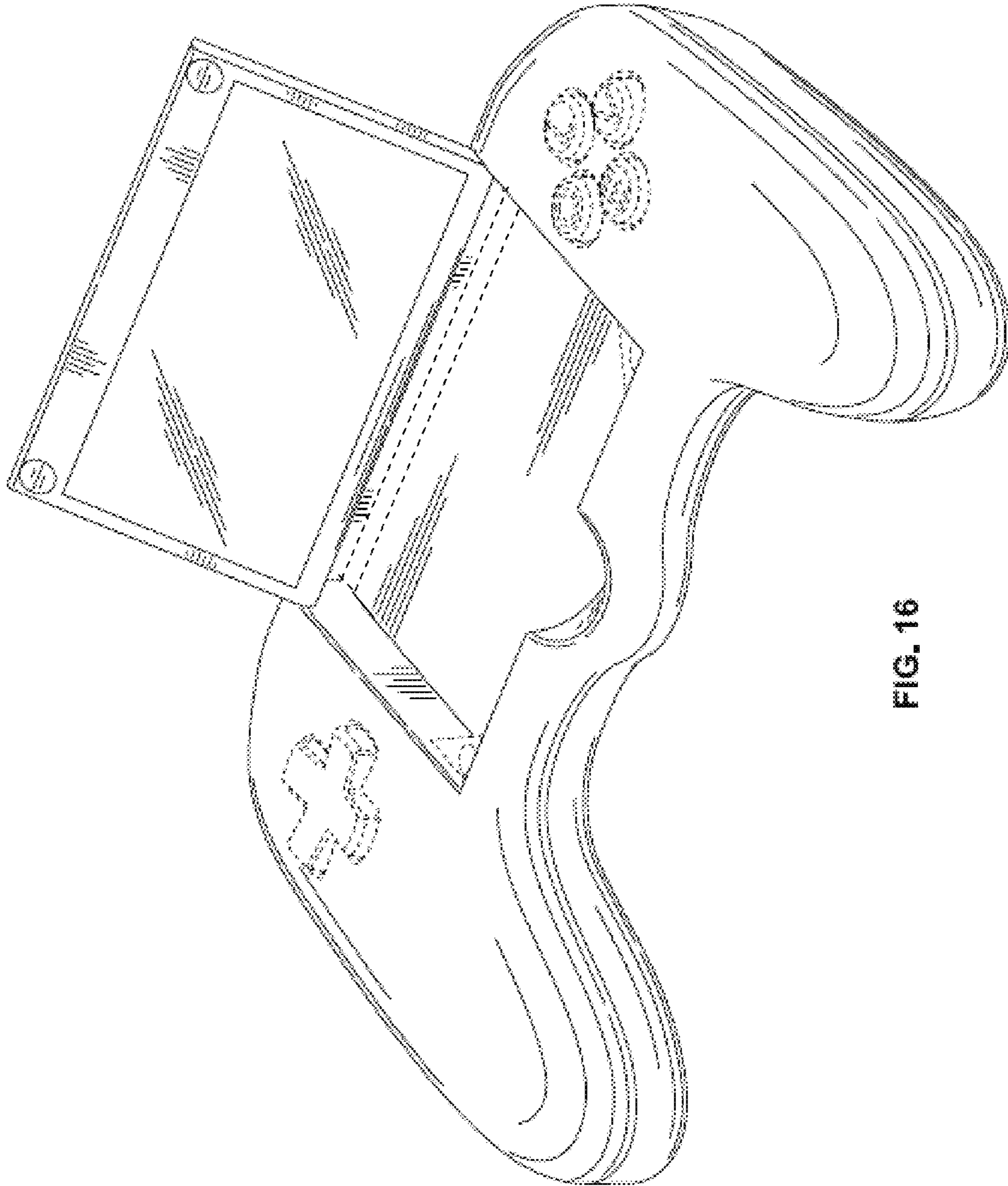


FIG. 16