

US00D868378S

(12) **United States Design Patent**
Hatchell

(10) **Patent No.:** **US D868,378 S**

(45) **Date of Patent:** **** Nov. 26, 2019**

(54) **HAIR PRODUCT ORGANIZER**

(71) Applicant: **Robert Hatchell**, Londonderry, NH
(US)

(72) Inventor: **Robert Hatchell**, Londonderry, NH
(US)

(**) Term: **15 Years**

(21) Appl. No.: **29/655,899**

(22) Filed: **Jul. 9, 2018**

(51) **LOC (12) Cl.** **28-03**

(52) **U.S. Cl.**
USPC **D28/73**

(58) **Field of Classification Search**
USPC D28/9, 13, 18-19, 35, 73, 76-84, 99;
D9/414, 424, 426, 428, 430; D7/586,
D7/587, 600.1-600.4, 647, 667, 704;
D6/512, 513, 518, 524; D8/349, 354,
D8/373, 380
CPC .. A47B 81/00; A47G 29/08; A45D 2033/001;
A45D 33/003; A45D 33/006-008; A45D
33/22; A45D 33/24; A45D 33/26; A45D
33/28; A45D 34/00; A45D 34/06
See application file for complete search history.

(56) **References Cited**

U.S. PATENT DOCUMENTS

D168,074	S	*	10/1952	Symington	D8/354
D225,822	S	*	1/1973	James	D8/350
D252,734	S	*	8/1979	Holcombe	D8/366
D268,237	S	*	3/1983	Simon	D6/549
5,303,855	A		4/1994	Veale		
D359,228	S	*	6/1995	Dunlap	D6/512
D417,810	S	*	12/1999	Murray	150/107
D457,271	S		5/2002	Jackson		
6,682,035	B1		1/2004	Hart		
D551,959	S	*	10/2007	Hargis	D8/394
D566,990	S		4/2008	Cook		
D583,221	S	*	12/2008	Johnsen	D8/354

D598,273	S	*	8/2009	Nerskov	D8/354
7,828,254	B2		11/2010	Stephens-De Alanis		
D659,905	S		5/2012	Fingerson		
8,950,591	B1		2/2015	McDowell		
9,072,350	B2		7/2015	Groth		
D741,688	S	*	10/2015	James	D8/349
9,332,820	B2		5/2016	Bernard		
D820,665	S	*	6/2018	DeDios-Shirley	D8/354
D848,245	S	*	5/2019	Hammer	D8/363
D852,024	S	*	6/2019	LaPorta	D8/349
2010/0299876	A1	*	12/2010	Kang	E05D 3/10 16/319

OTHER PUBLICATIONS

The Pony Tailor, Robert Hatchell, published Oct. 1, 2018, retrieved on Aug. 27, 2019, retrieved from the Internet URL: <https://www.youtube.com/watch?v=ydgc4EtaW8>.*

* cited by examiner

Primary Examiner — Jennifer Rivard
Assistant Examiner — Alison M Ofstun
(74) *Attorney, Agent, or Firm* — Cramer Patent & Design, PLLC; Aaron R. Cramer

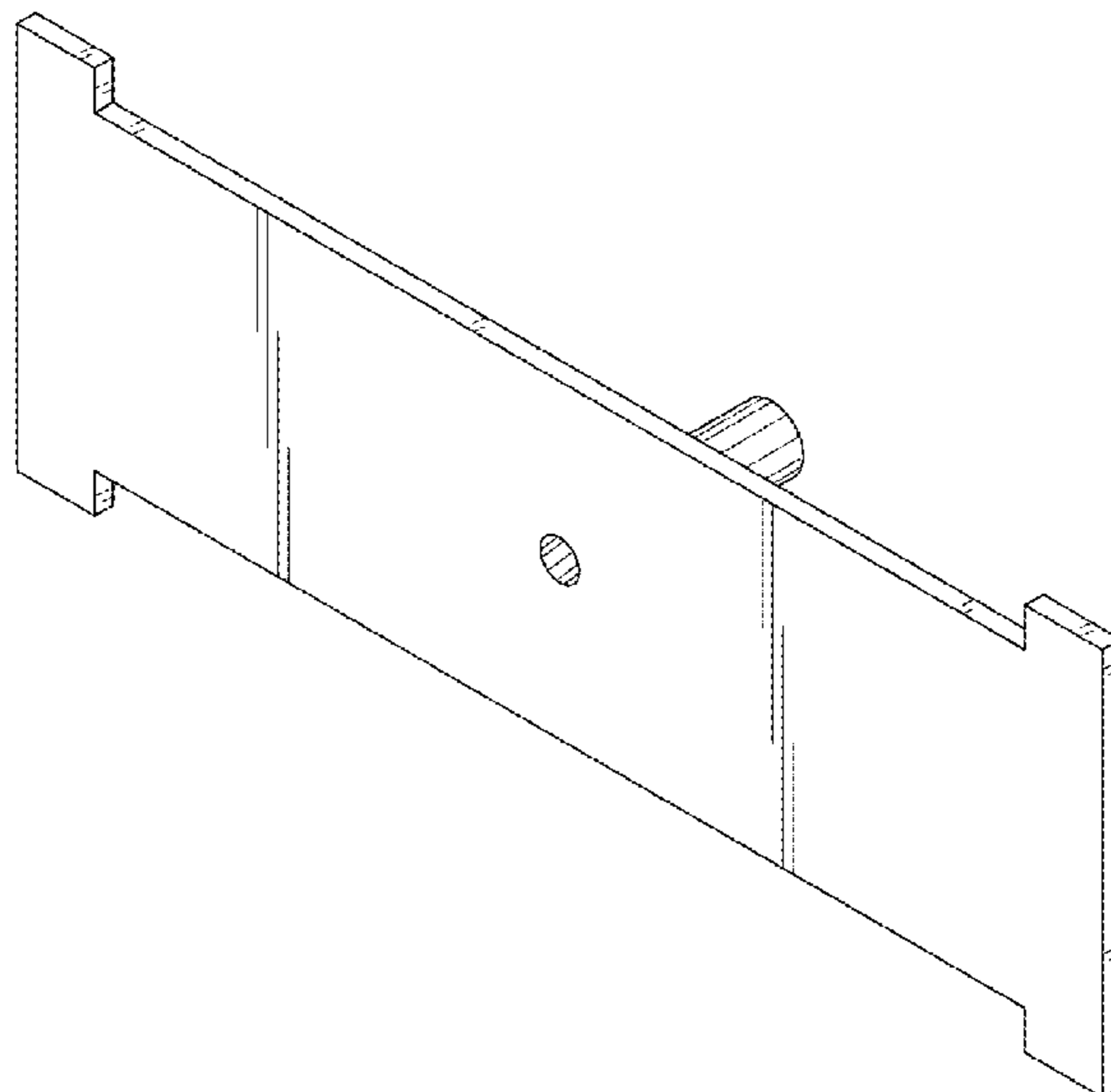
(57) **CLAIM**

The ornamental design for a hair product organizer, as shown and described.

DESCRIPTION

FIG. 1 is a perspective top front right view of a hair product organizer, showing my new design;
FIG. 2 is a perspective top rear left view thereof;
FIG. 3 is a front elevation view thereof;
FIG. 4 is a rear elevation view thereof;
FIG. 5 is a right elevation view thereof;
FIG. 6 is a left elevation plan view thereof; and,
FIG. 7 is a top plan view thereof, the bottom plan view being a mirror image thereof.

1 Claim, 5 Drawing Sheets



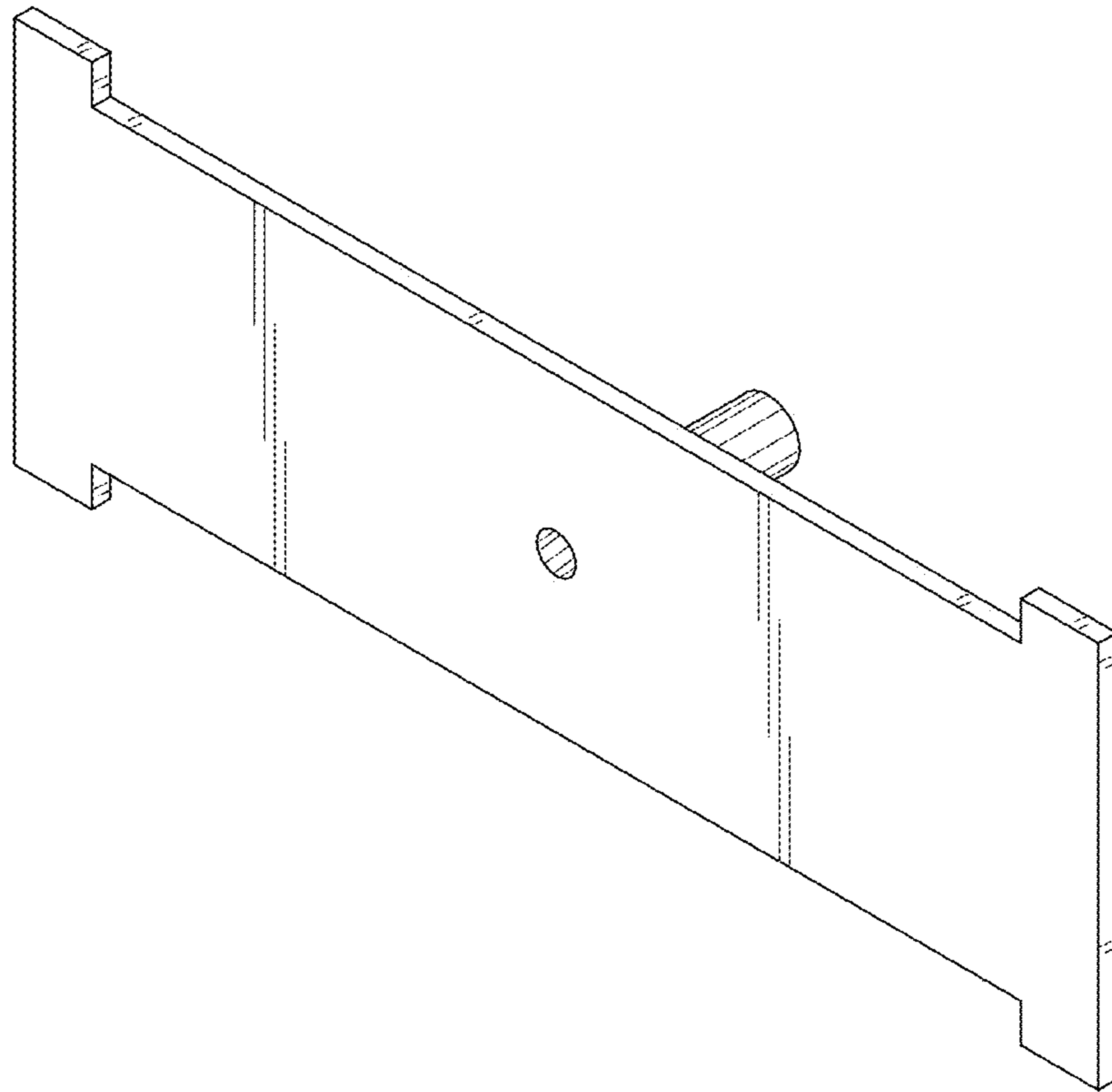


FIG. 1

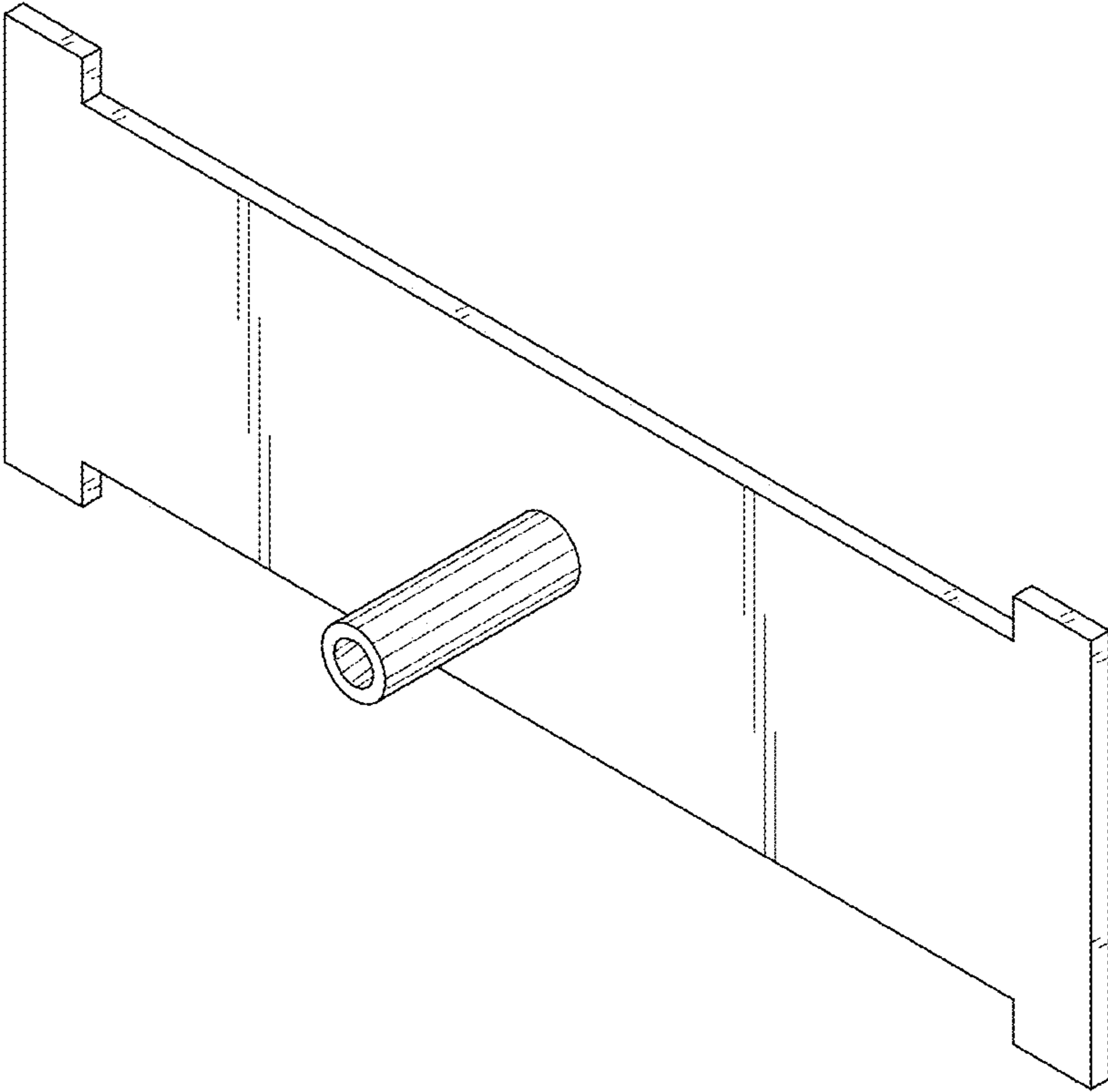


FIG. 2

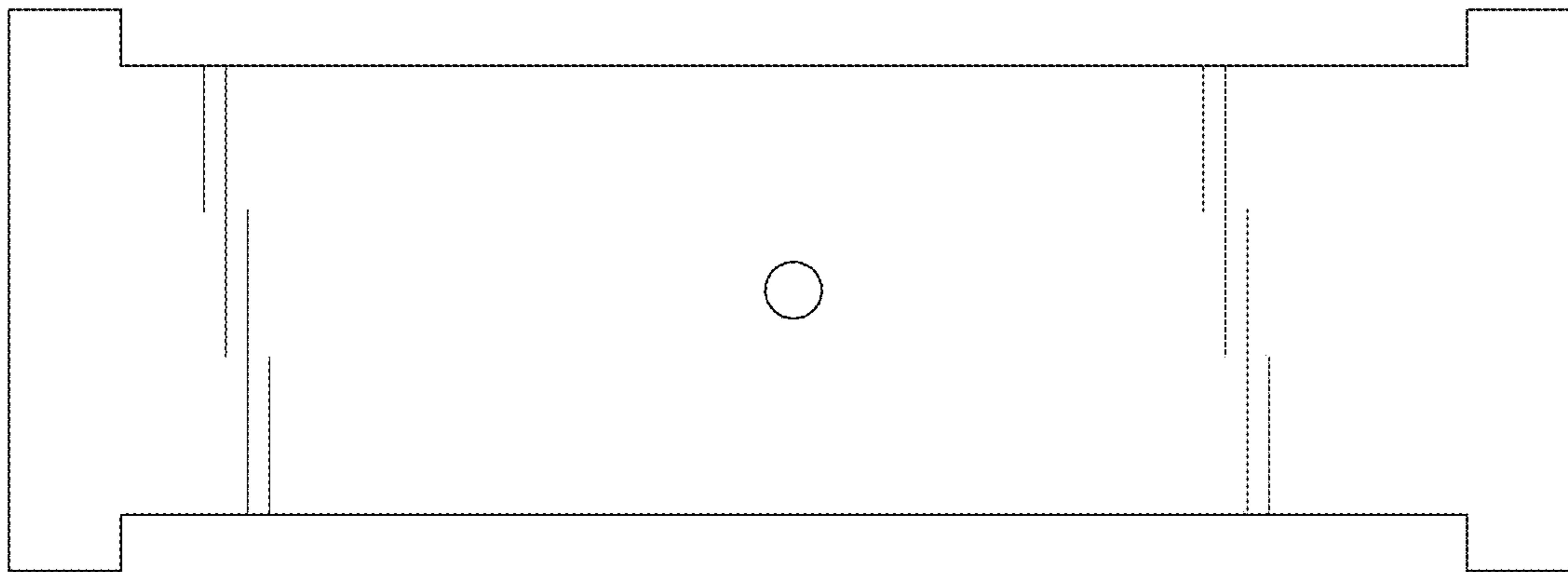


FIG. 3

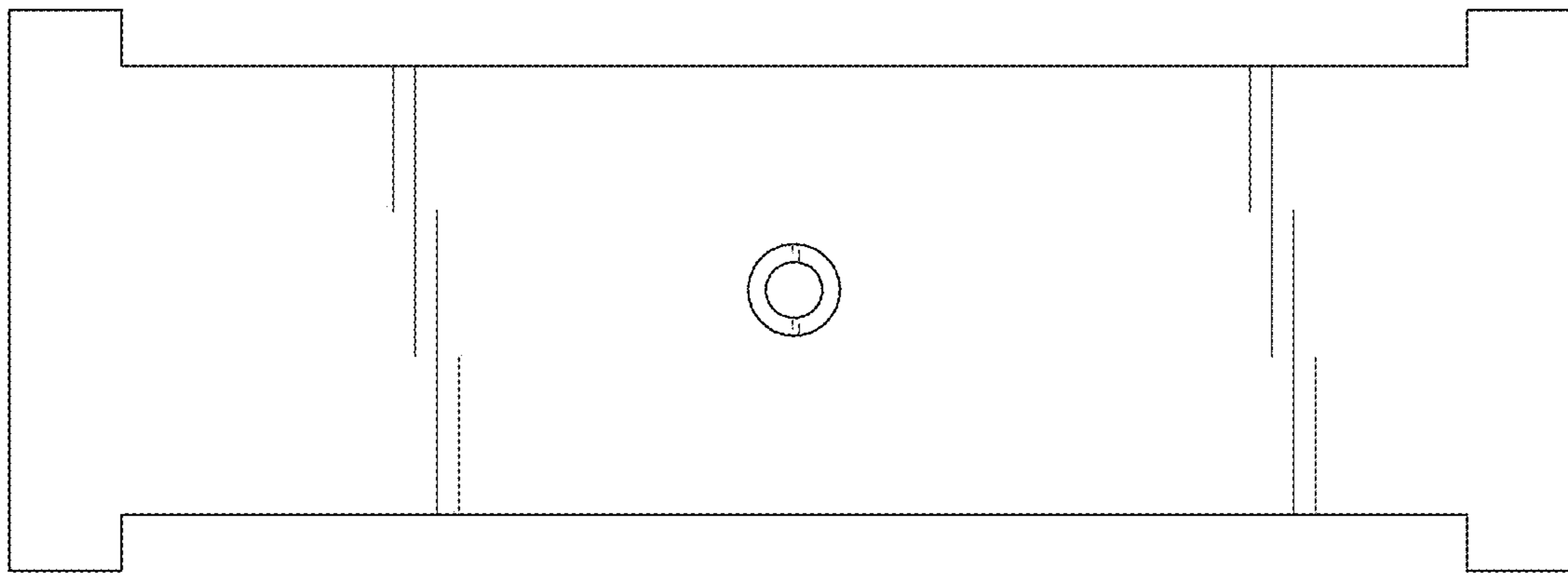


FIG. 4

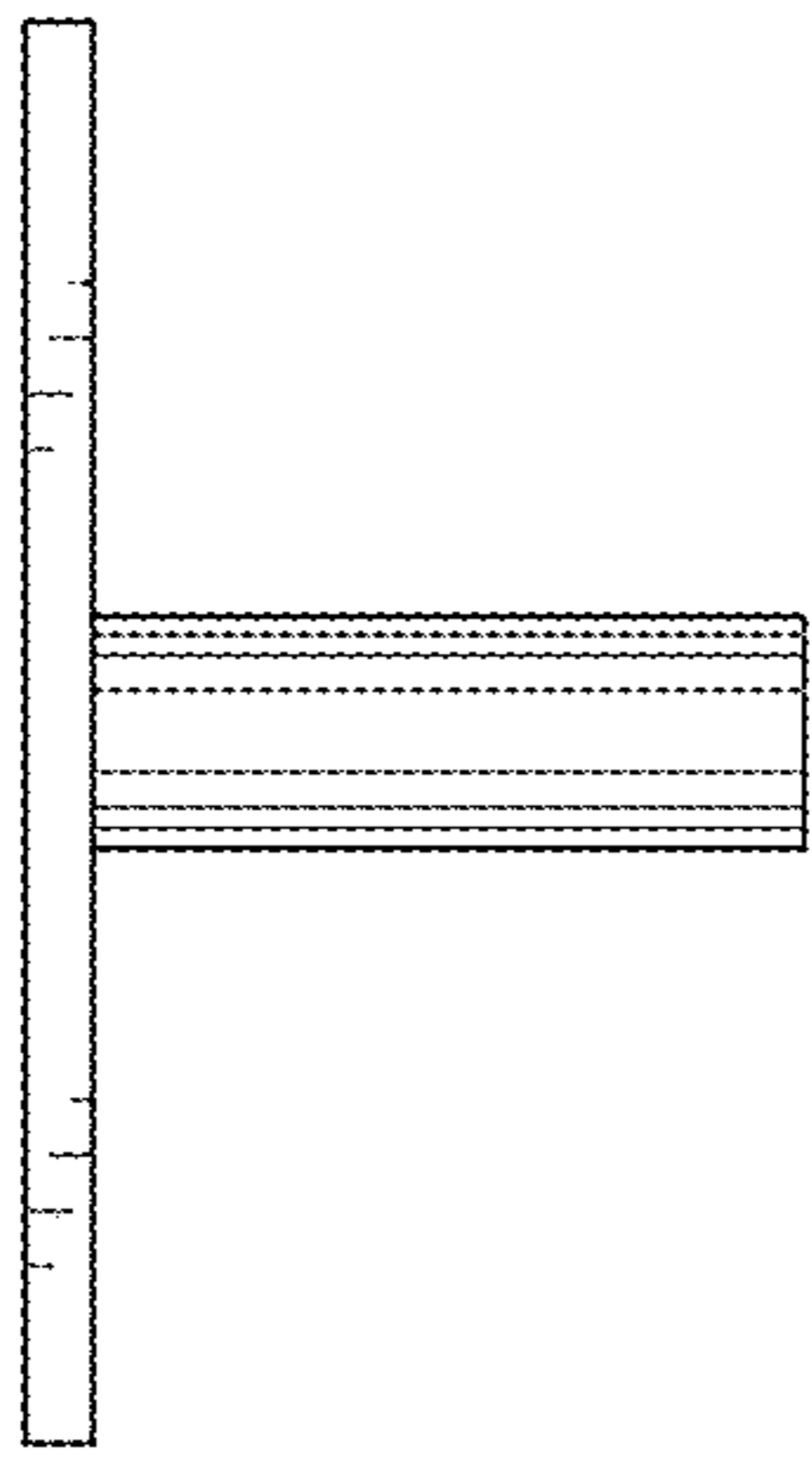


FIG. 5

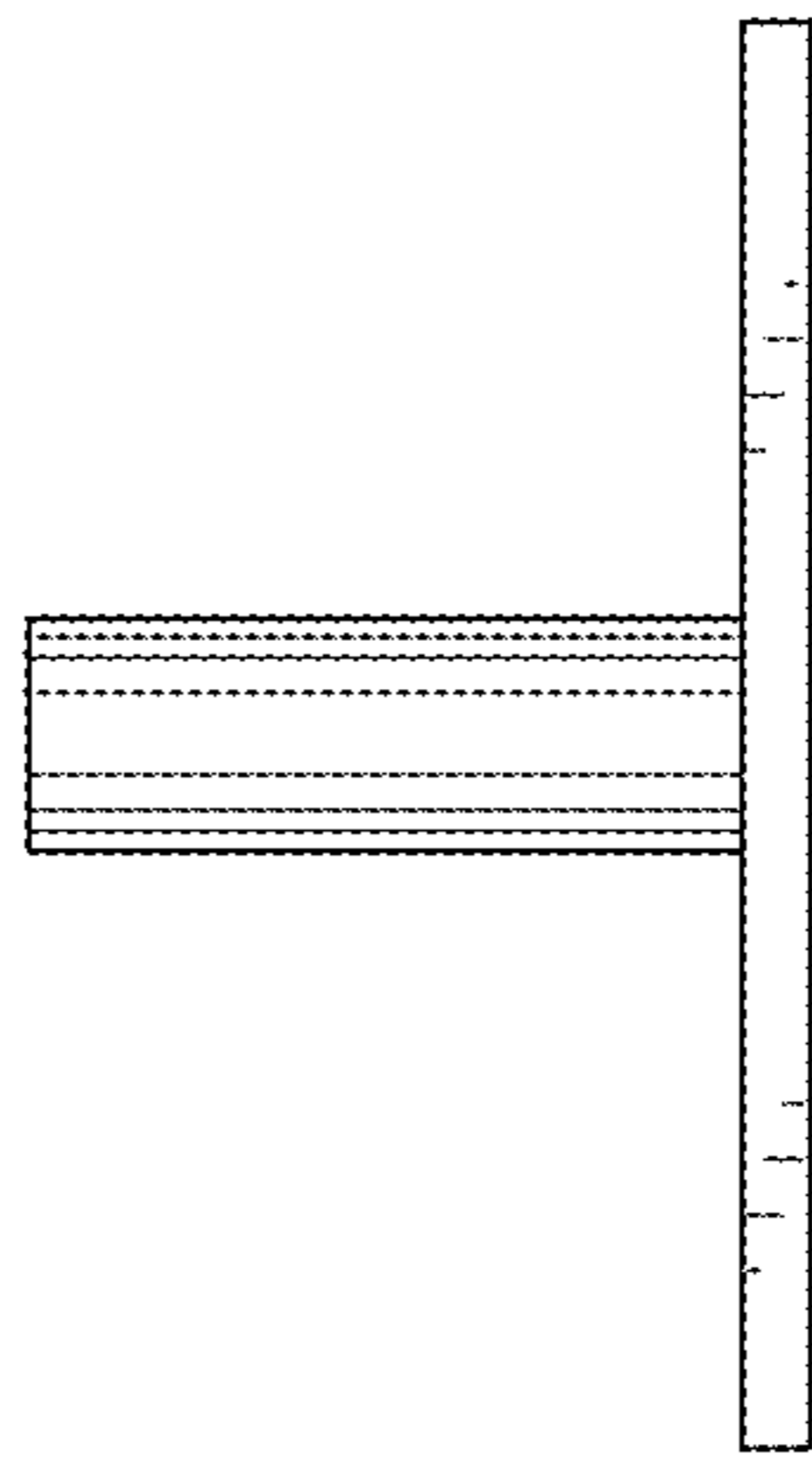


FIG. 6

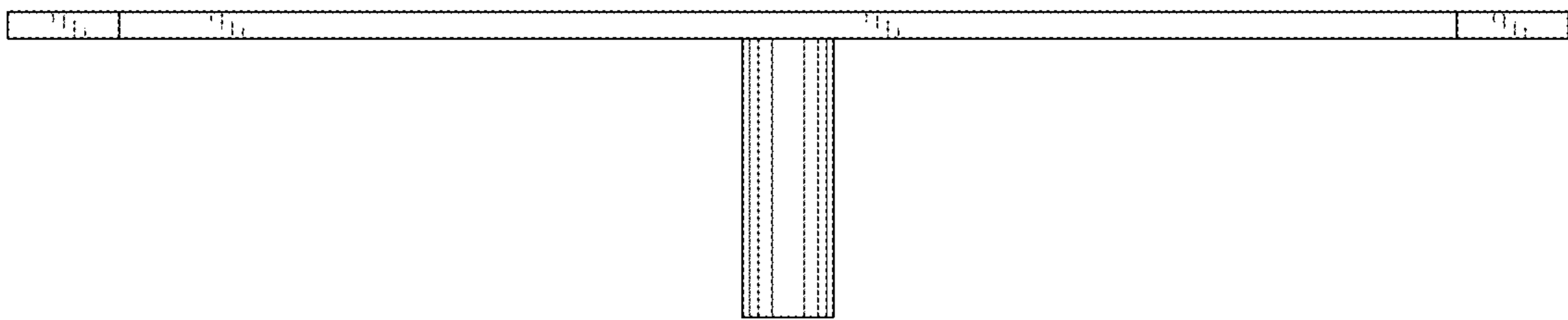


FIG. 7