



US00D868377S

(12) **United States Design Patent** (10) **Patent No.:** **US D868,377 S**
Goeder et al. (45) **Date of Patent:** **** Nov. 26, 2019**

(54) **ELECTRIC DRY SHAVER BRUSH**
 (71) Applicant: **Braun GmbH**, Kronberg (DE)
 (72) Inventors: **Philipp Goeder**, Frankfurt (DE);
Gregor Ptok, Frankfurt (DE);
Bernhard Sikora, Kelkheim (DE);
Wolfgang Stegmann, Frankfurt (DE)
 (73) Assignee: **Braun GMBH**, Kronberg (DE)

D804,189 S * 12/2017 von Berg D4/100
 D819,338 S * 6/2018 Xiong D4/102
 10,080,428 B2 * 9/2018 Kern A47K 7/043
 D829,445 S * 10/2018 Kern D4/127
 2006/0010630 A1 * 1/2006 Tse A47K 7/02
 15/160
 2013/0023806 A1 * 1/2013 Ungemach A61H 7/005
 601/114
 2018/0092449 A1 * 4/2018 Straka A45D 34/042

(**) Term: **15 Years**
 (21) Appl. No.: **29/598,471**
 (22) Filed: **Mar. 27, 2017**

(30) **Foreign Application Priority Data**

Sep. 28, 2016 (WO) 968861101
 Nov. 10, 2016 (WO) 1336501

(51) **LOC (12) Cl.** **28-03**

(52) **U.S. Cl.**
 USPC **D28/54; D4/102; D4/127**

(58) **Field of Classification Search**
 USPC D28/54; D24/214-215; D4/102, 109,
 D4/111, 127
 CPC . A46B 15/0055; A46B 15/0079; A46B 13/00;
 A46B 13/008; A46B 13/02-026; A46B
 13/48; B26B 19/3813; B26B 19/3826;
 B26B 19/48

See application file for complete search history.

(56) **References Cited**

U.S. PATENT DOCUMENTS

D767,207 S * 9/2016 Deklein D28/54
 D768,391 S * 10/2016 Kling D4/127
 D781,588 S * 3/2017 Lee D4/102

OTHER PUBLICATIONS

Kemei Dry Shaver Brush, www.cdn.shopify.com, 1 page, down-
 loaded Dec. 2018 (Year: 2018).*
 Philip Series 7000, www.philips.co.uk, 1 page, downloaded Dec.
 2018 (Year: 2018).*

* cited by examiner

Primary Examiner — Jennifer Rivard

(74) *Attorney, Agent, or Firm* — Ronald Terk Sia; Kevin
 C. Johnson

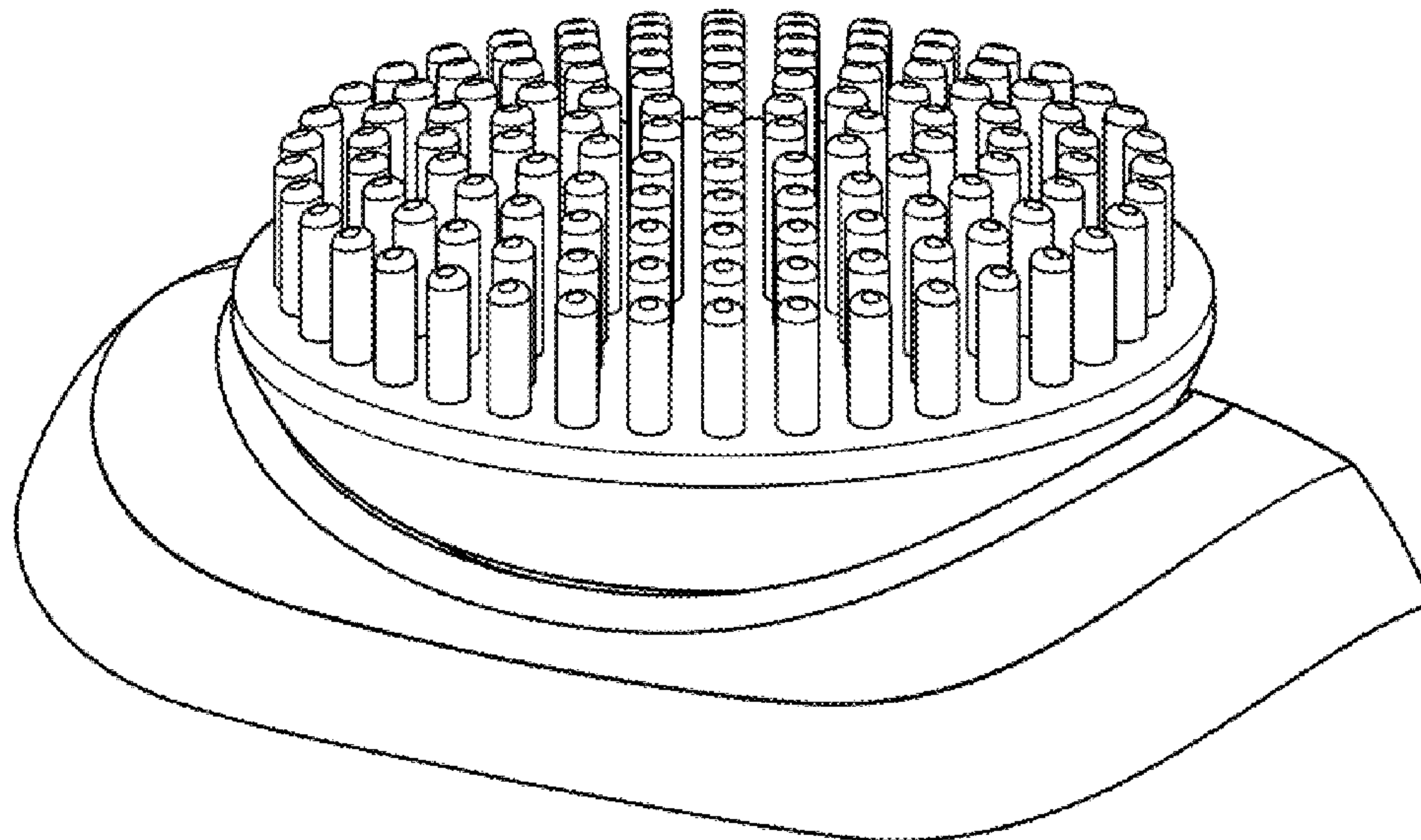
(57) **CLAIM**

The ornamental design for an electric dry shaver brush, as
 shown and described.

DESCRIPTION

FIG. 1 is a perspective view of a part of a beauty care device;
 FIG. 2 is a front view thereof;
 FIG. 3 is a right side view thereof;
 FIG. 4 is a rear view thereof;
 FIG. 5 is a left side view thereof;
 FIG. 6 is a top plan view thereof; and,
 FIG. 7 is a bottom view thereof.
 The broken lines illustrate the boundary of the claim and
 form no part of the claimed design.

1 Claim, 2 Drawing Sheets



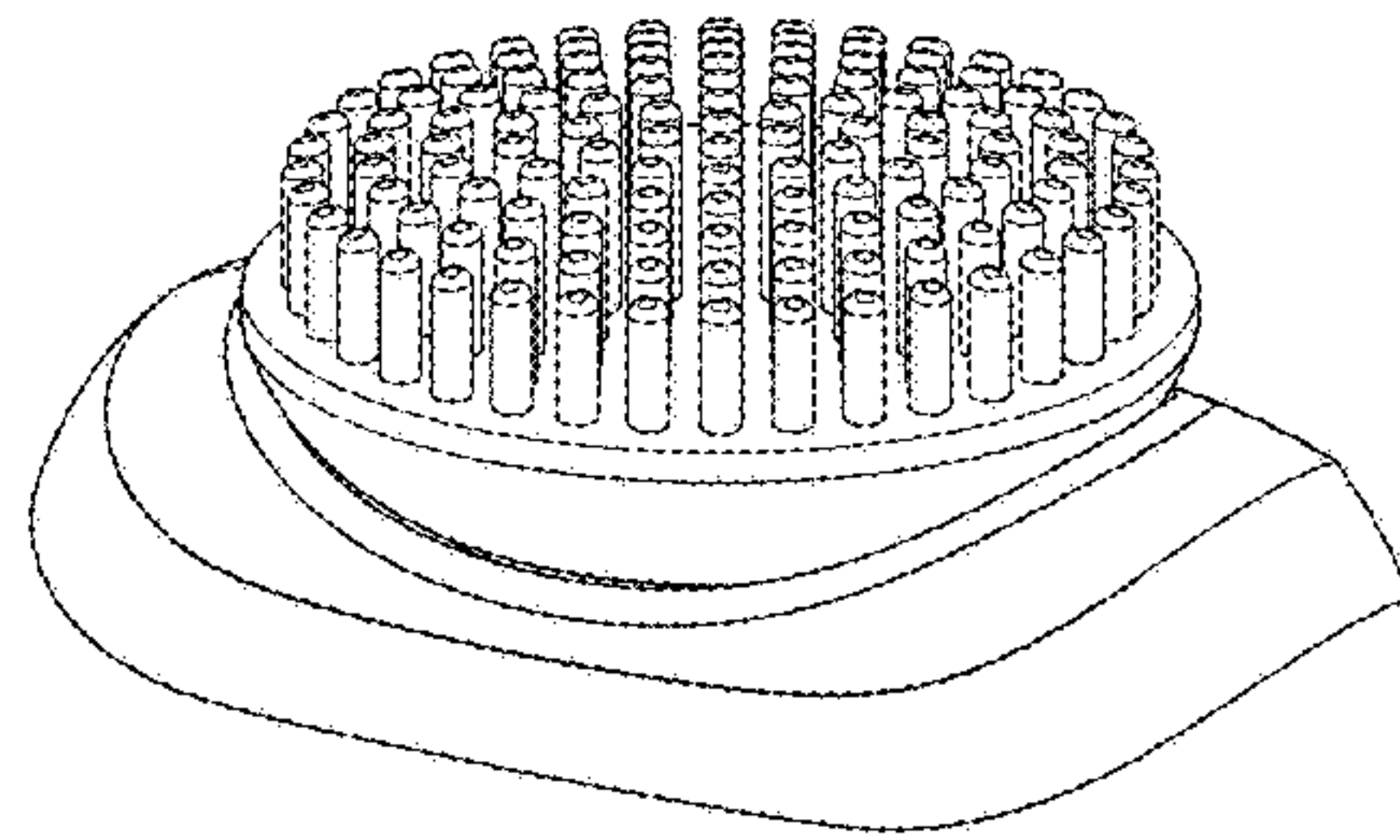


Fig. 1

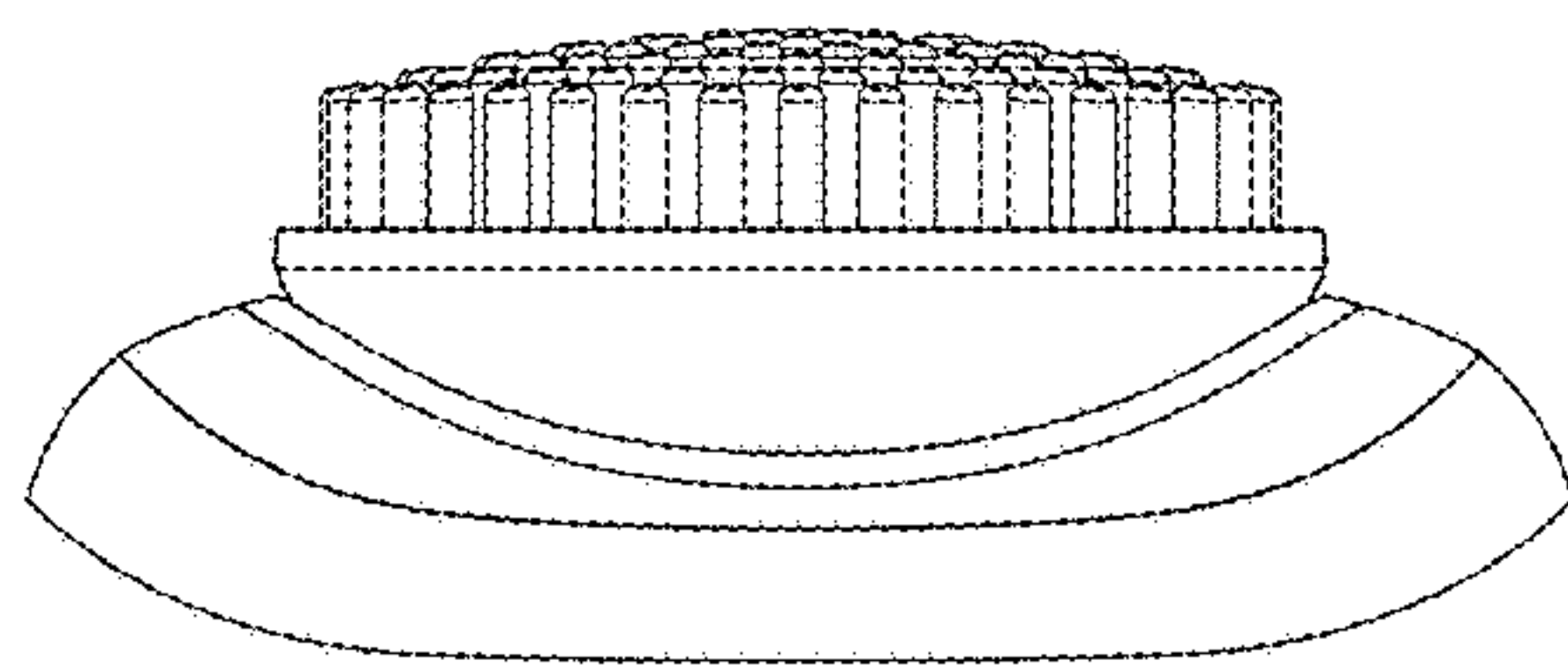


Fig. 2

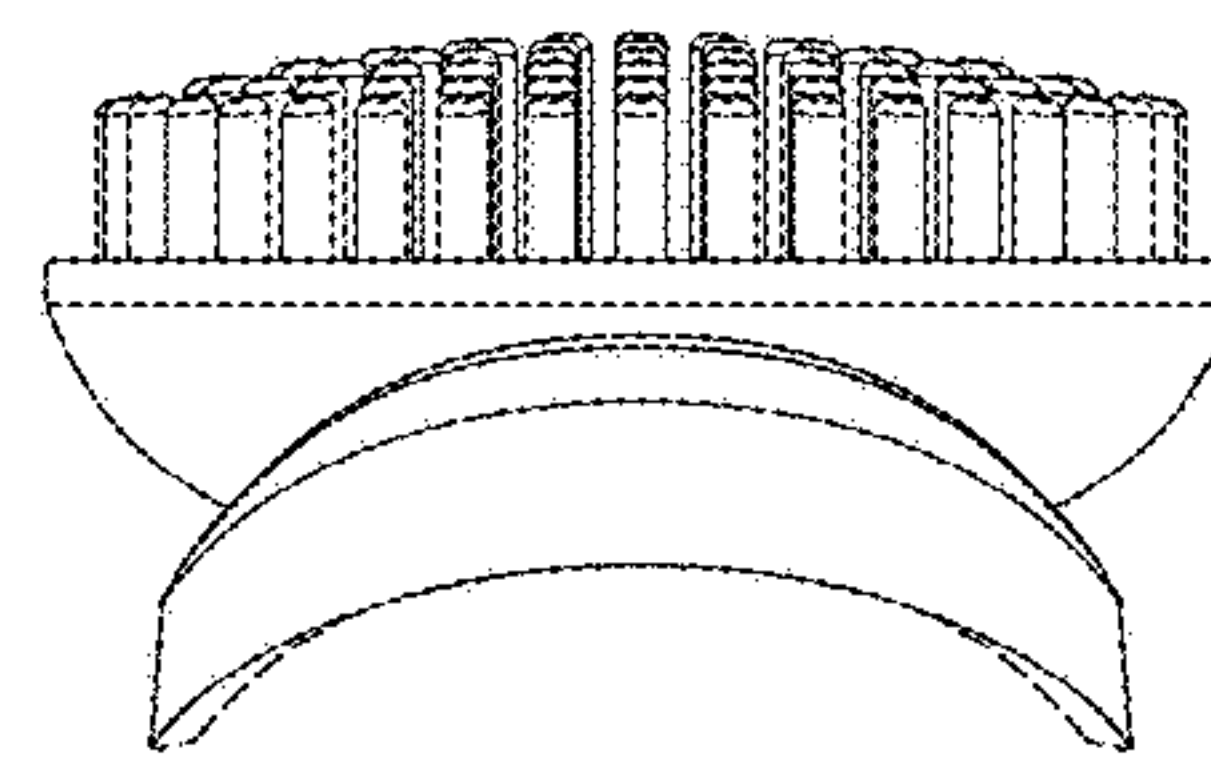


Fig. 3

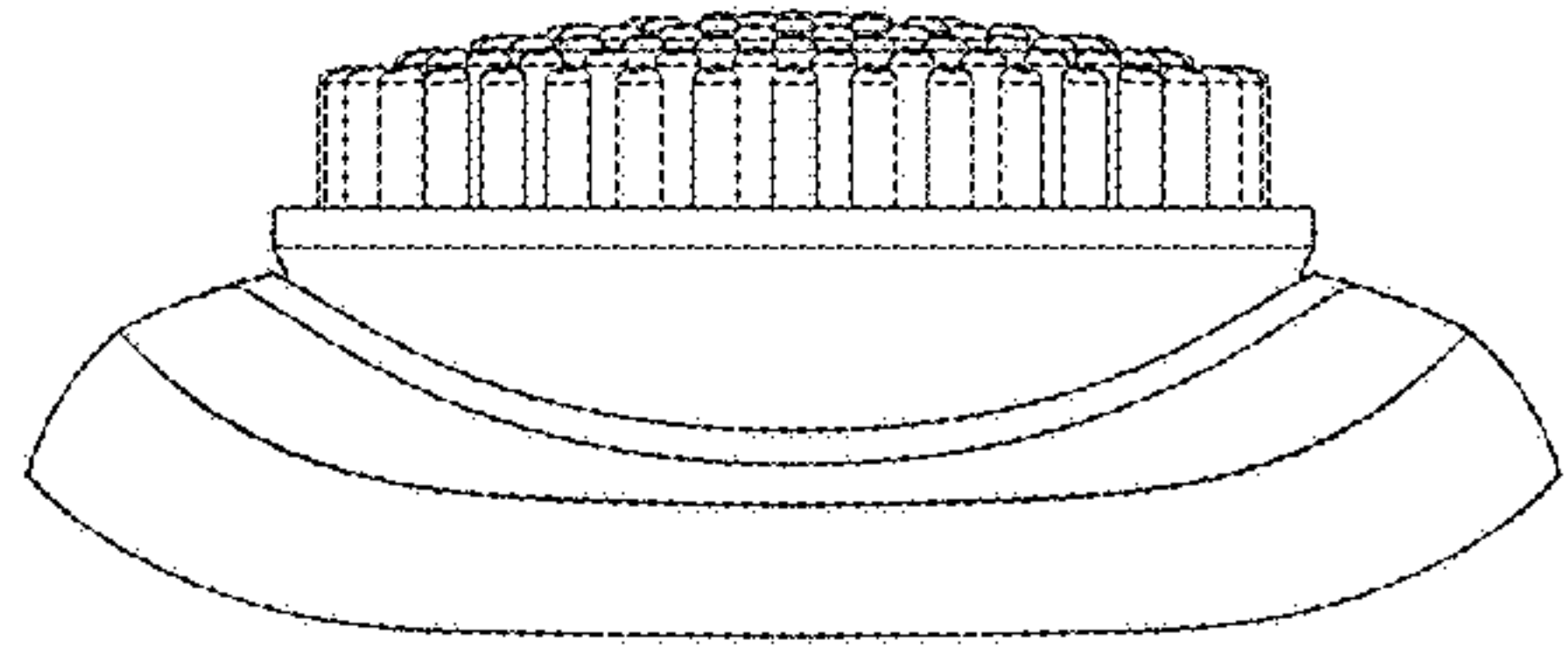


Fig. 4

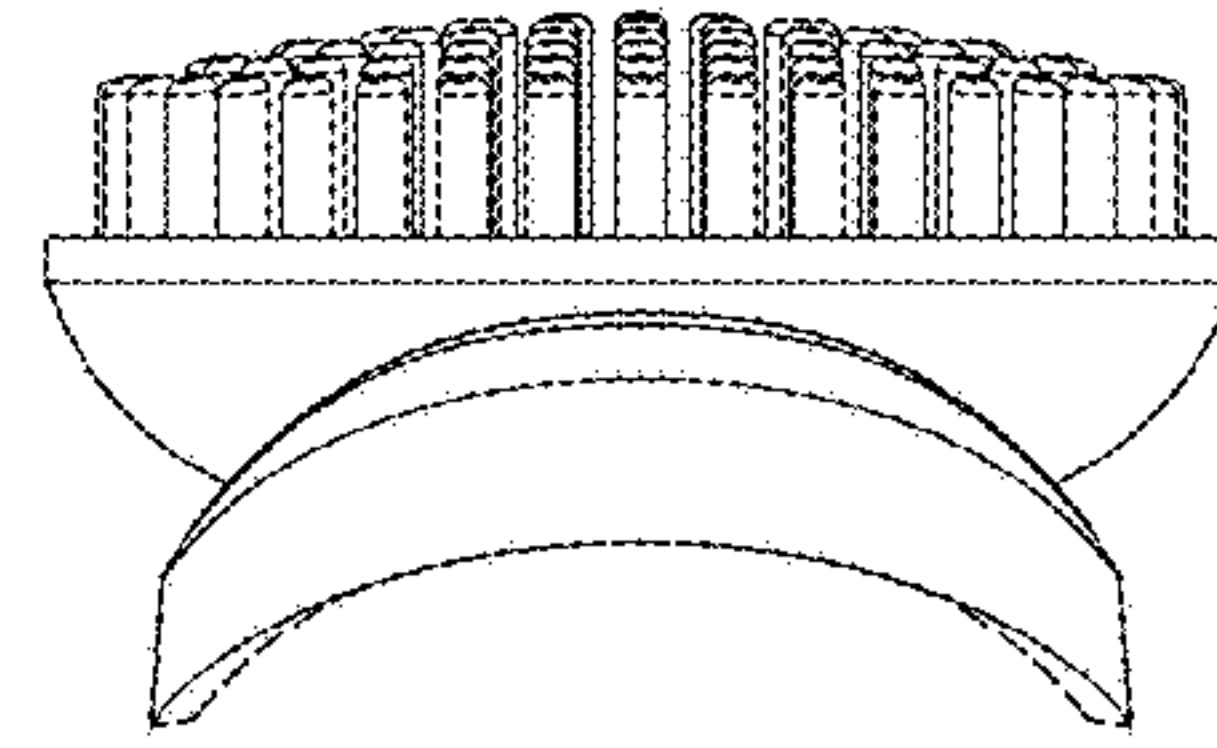


Fig. 5

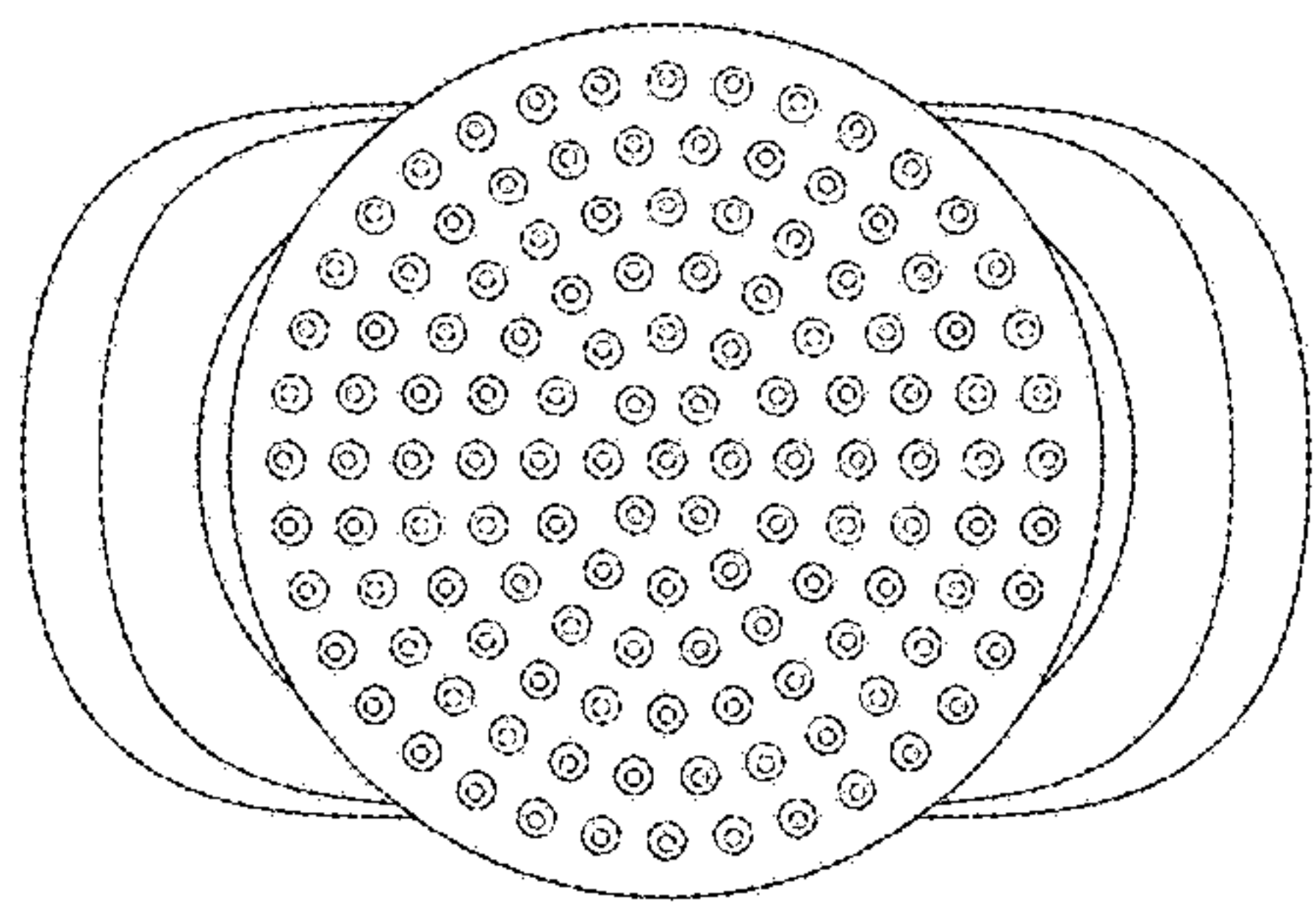


Fig. 6

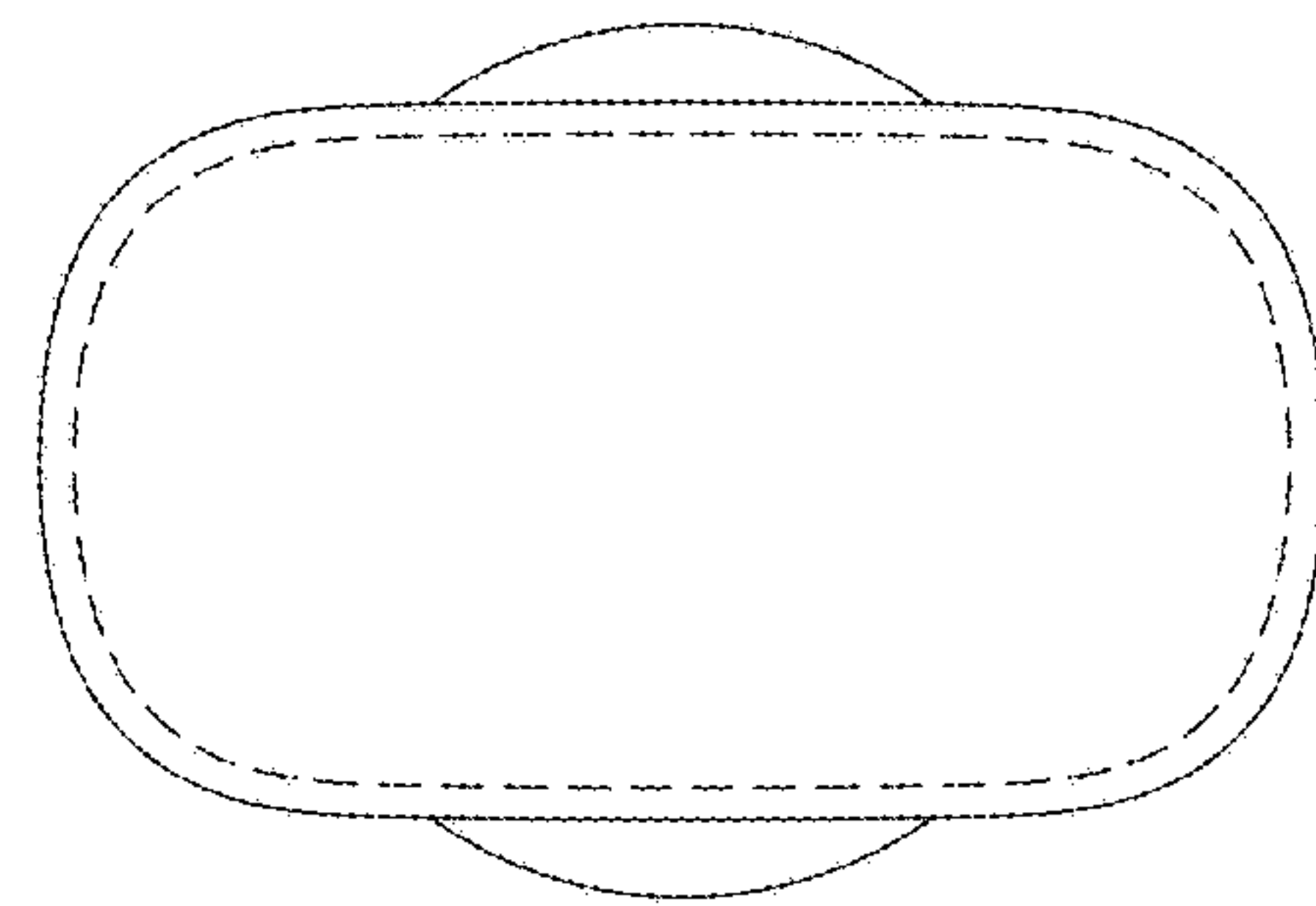


Fig. 7