



US00D868376S

(12) **United States Design Patent** (10) **Patent No.:** **US D868,376 S**
Sterzi (45) **Date of Patent:** **** Nov. 26, 2019**

(54) **ELECTRIC RAZOR**

19/384; B26B 19/3846; B26B 19/3853;
B26B 19/3886; B26B 19/42; B26B 19/38

See application file for complete search history.

(71) Applicant: **GAMMA PIU' S.R.L.**, Cazzago S.
Martino (IT)

(56) **References Cited**

(72) Inventor: **Paolo Sterzi**, Brescia (IT)

U.S. PATENT DOCUMENTS

(73) Assignee: **Gamma Piu' S.r.l.**, Brescia (IT)

D447,284	S	*	8/2001	Micinilio	D28/49
D522,176	S	*	5/2006	Ullmann	D28/51
D537,206	S	*	2/2007	Ullmann	D28/49
D664,298	S	*	7/2012	Grabes	D24/133
D721,205	S	*	1/2015	Colle	D28/53
D722,198	S	*	2/2015	Wong	D28/49
D733,965	S	*	7/2015	Yiu	D28/49
D749,268	S	*	2/2016	Wan	D28/51
D751,252	S	*	3/2016	Grabes	D28/51
D759,308	S	*	6/2016	Reuter	D28/53
D800,965	S	*	10/2017	Aulwes	D28/53
2006/0283018	A1	*	12/2006	Oh	B26B 19/04 30/45
2008/0047145	A1	*	2/2008	Dietzel	B26B 19/20 30/34.05

(**) Term: **15 Years**

(21) Appl. No.: **35/505,971**

(22) Filed: **Jul. 18, 2018**

(80) **Hague Agreement Data**

Int. Filing Date: **Jul. 18, 2018**

Int. Reg. No.: **DM/103484**

Int. Reg. Date: **Jul. 18, 2018**

Int. Reg. Pub. Date: **Nov. 9, 2018**

* cited by examiner

Primary Examiner — George D. Kirschbaum

Assistant Examiner — Samantha Q Lawrence

(74) *Attorney, Agent, or Firm* — Thomas|Horstemeyer,
LLP

(30) **Foreign Application Priority Data**

Mar. 13, 2018 (WO) DM/100390

(51) **LOC (12) Cl.** **28-03**

(52) **U.S. Cl.**
USPC **D28/53**

(58) **Field of Classification Search**

USPC D28/49, 50, 51, 52, 53, 54, 44; 30/32,
30/34.05, 34.1, 34.2, 35, 41.9, 43,
30/43.1-43.9, 43.91, 43.92, 42, 44-46,
30/527; D24/211

CPC B26B 19/046; B26B 19/102; B26B 19/14;
B26B 19/26; B26B 19/265; B26B 19/44;
B26B 21/52; B26B 19/04; B26B 19/105;
B26B 19/20; B26B 19/3813; B26B

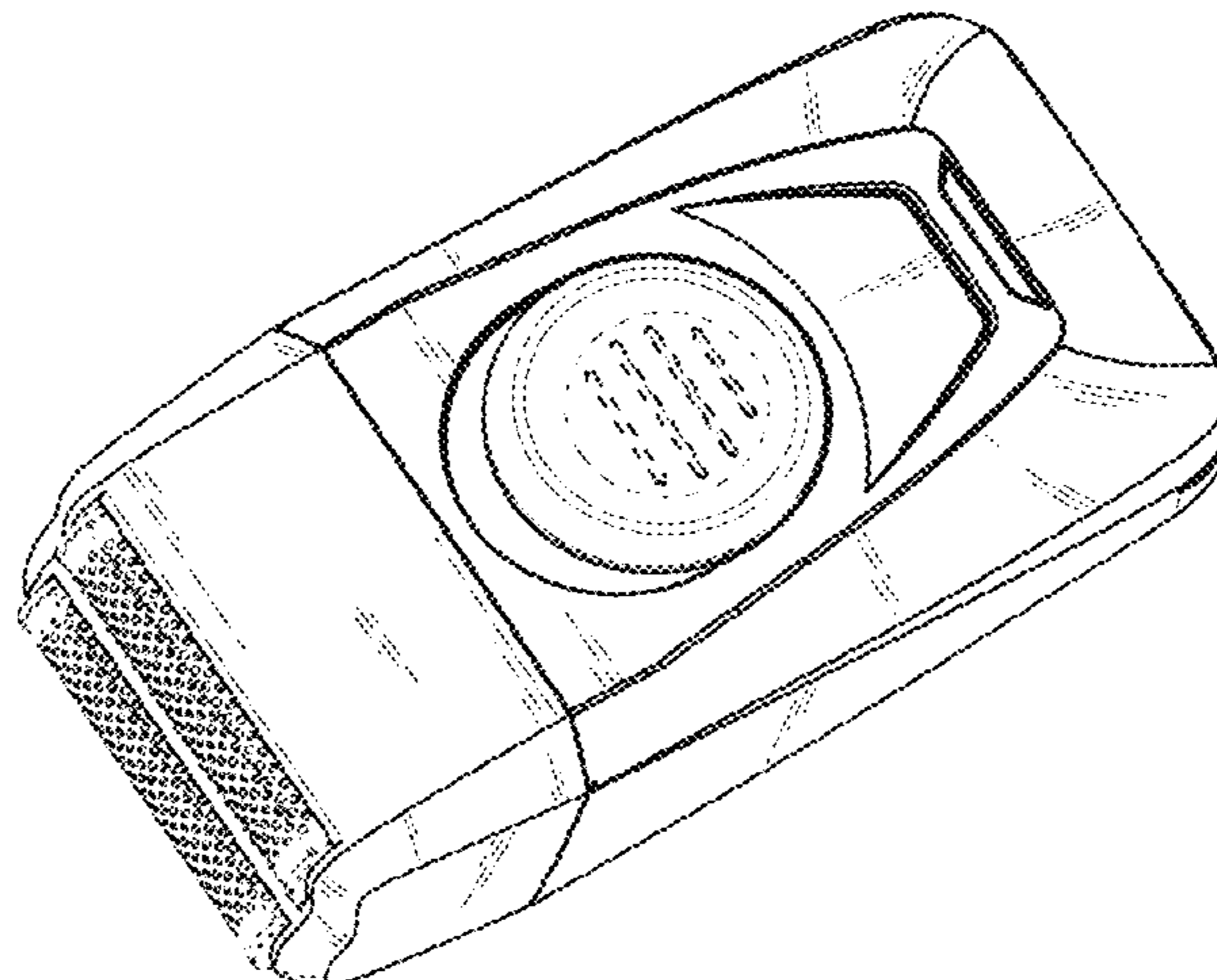
(57) **CLAIM**

The ornamental design for electric razor, as shown and described.

DESCRIPTION

1. Electric razor
Figure 1.1 is a top perspective view of an electric razor;
Figure 1.2 is a bottom perspective view thereof;
Figure 1.3 is a right side view thereof;
Figure 1.4 is a left side view thereof;
Figure 1.5 is a top view thereof;
Figure 1.6 is a bottom view thereof;
Figure 1.7 is a front view thereof; and
Figure 1.8 is a rear view thereof.

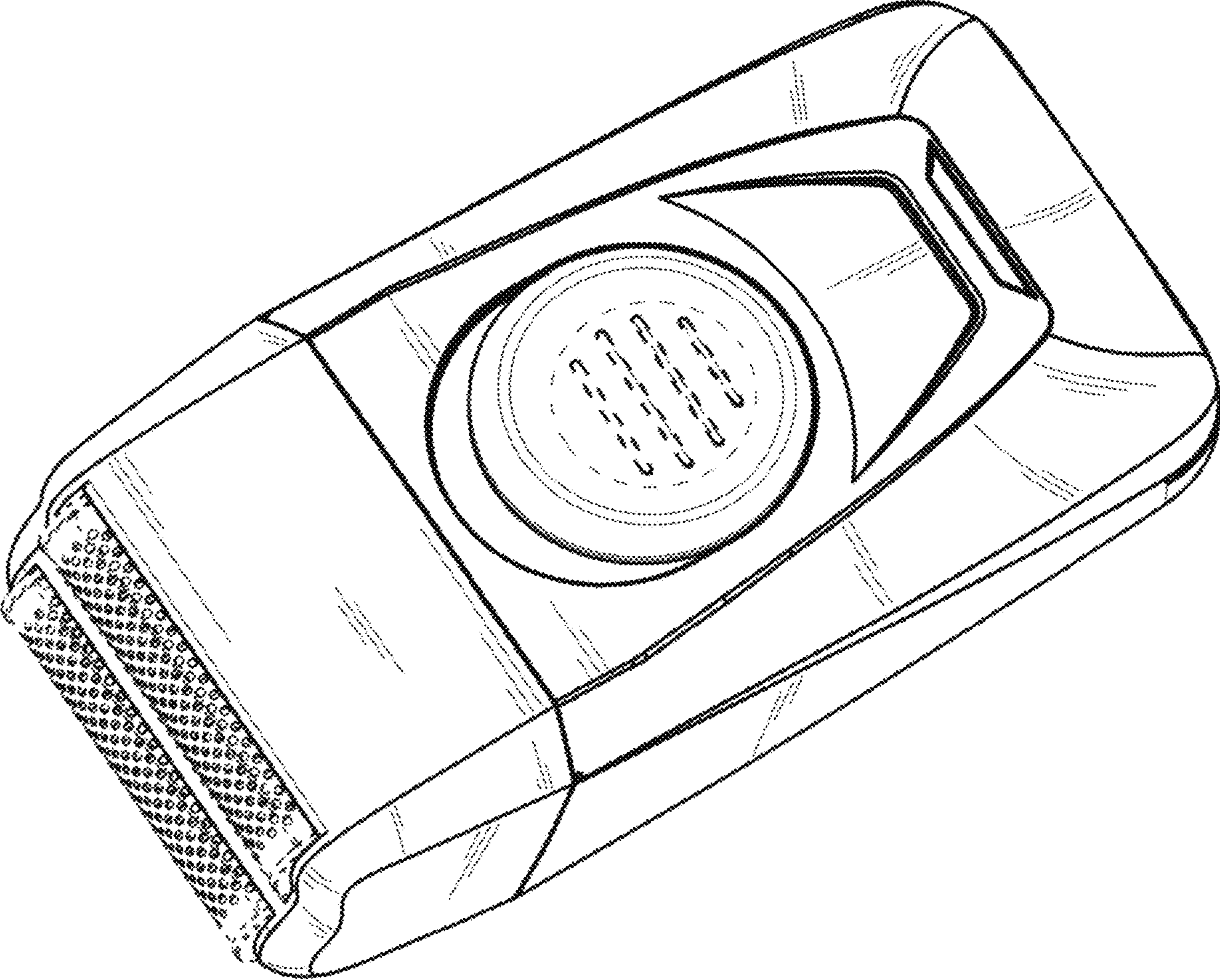
(Continued)



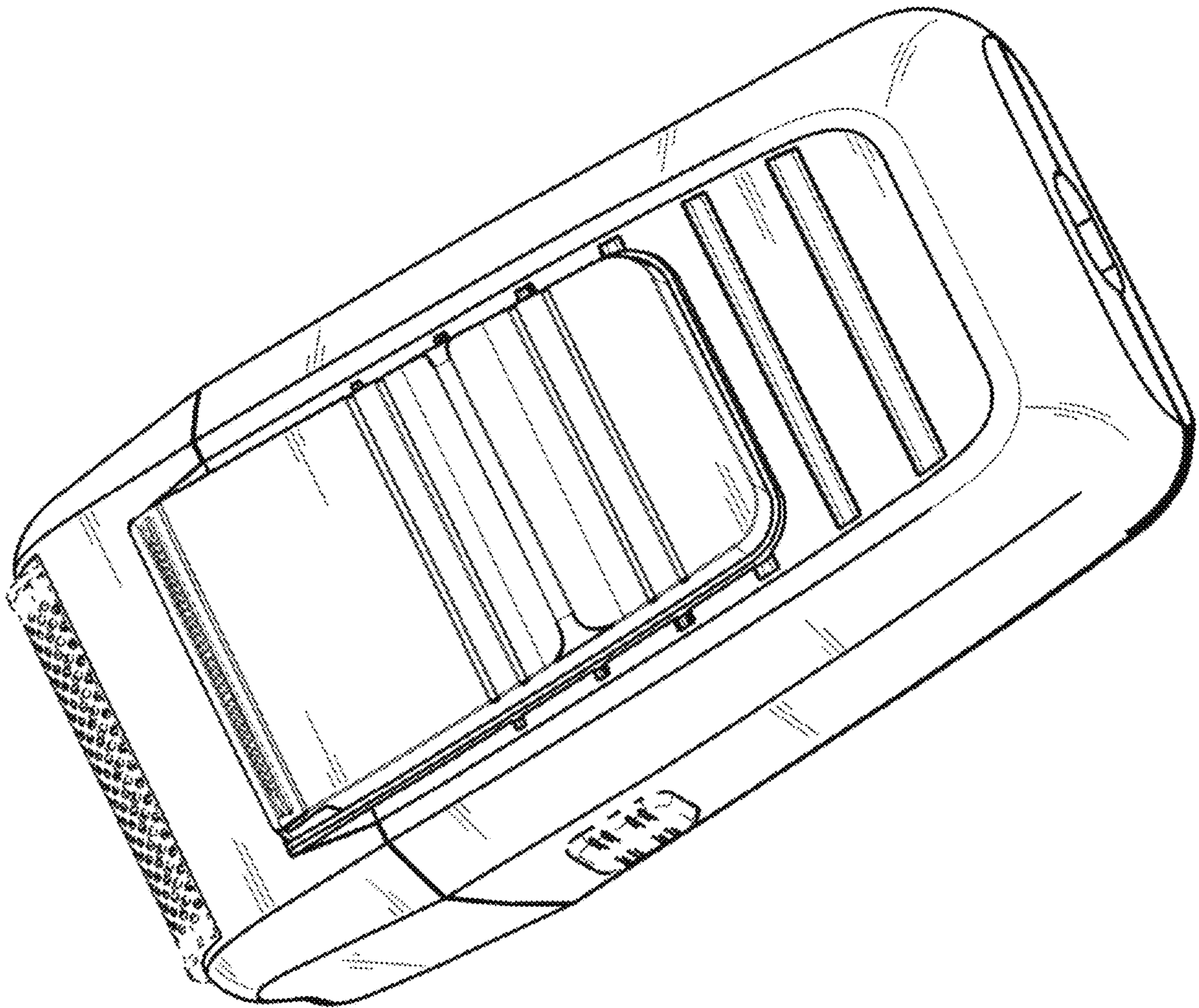
The broken lines shown in Figures 1.1-1.7 illustrate portions of the electric razor and form no part of the claimed design.

1 Claim, 8 Drawing Sheets

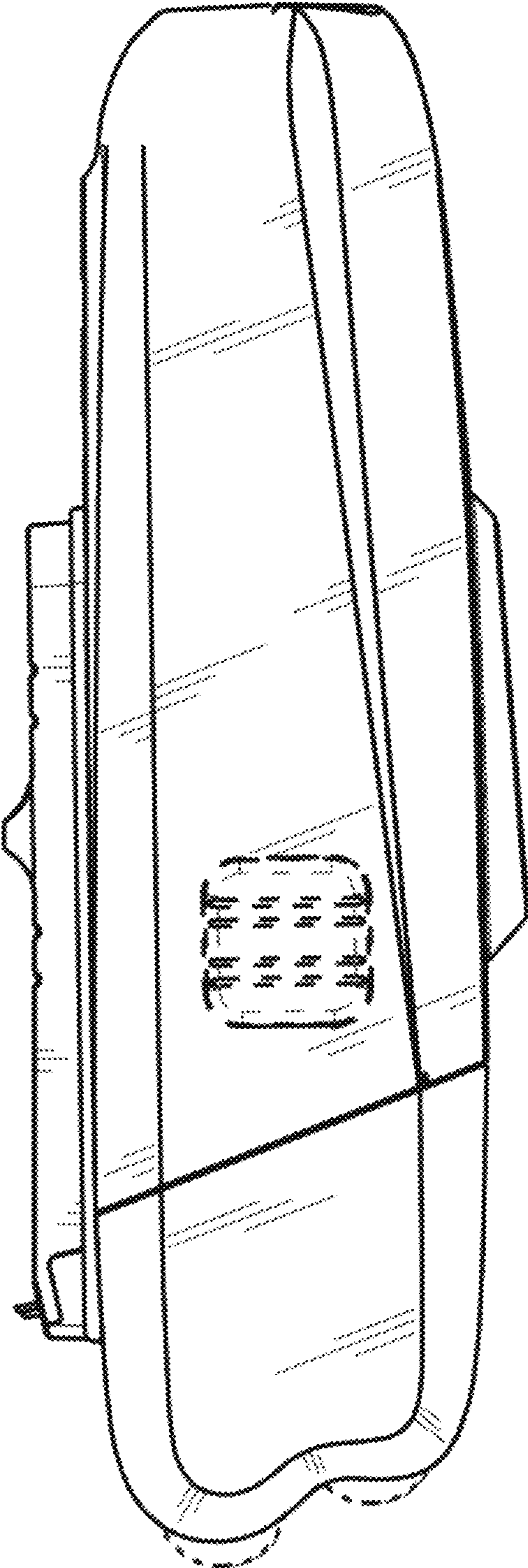
1.1



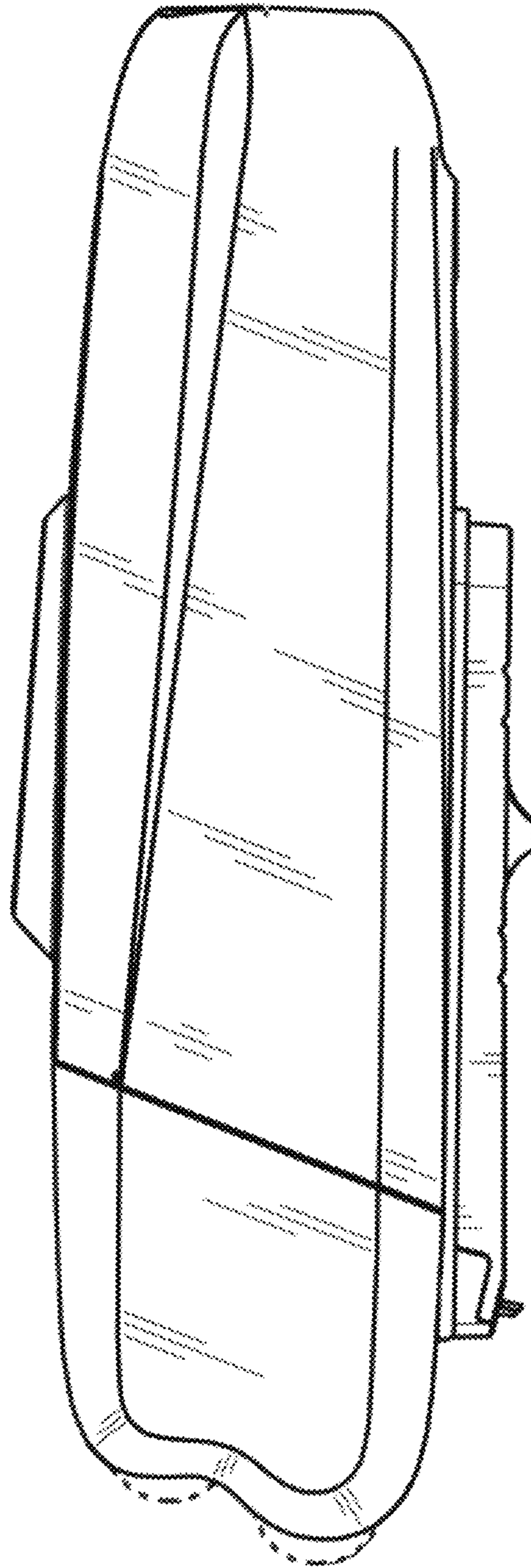
1.2



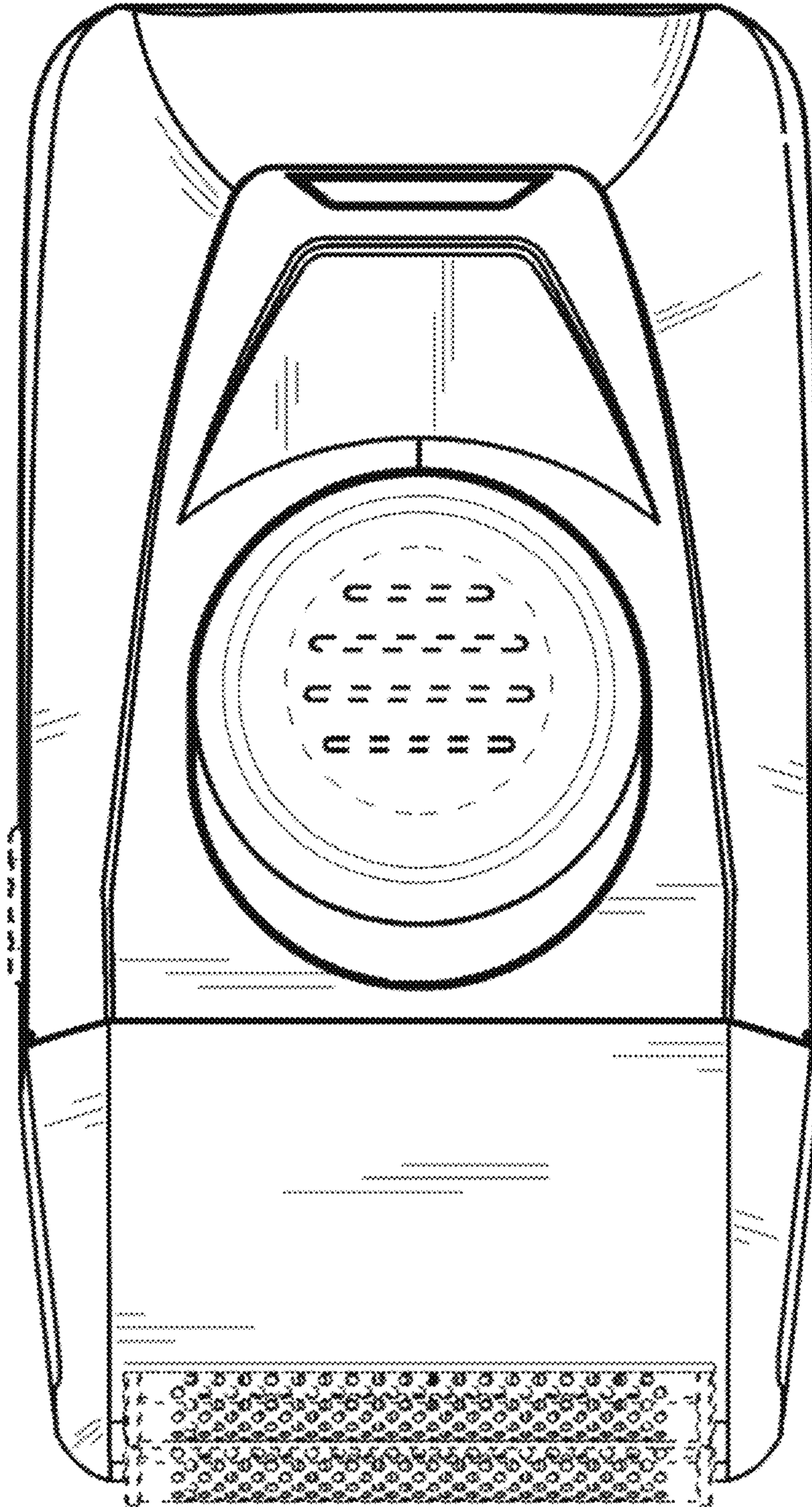
1.3



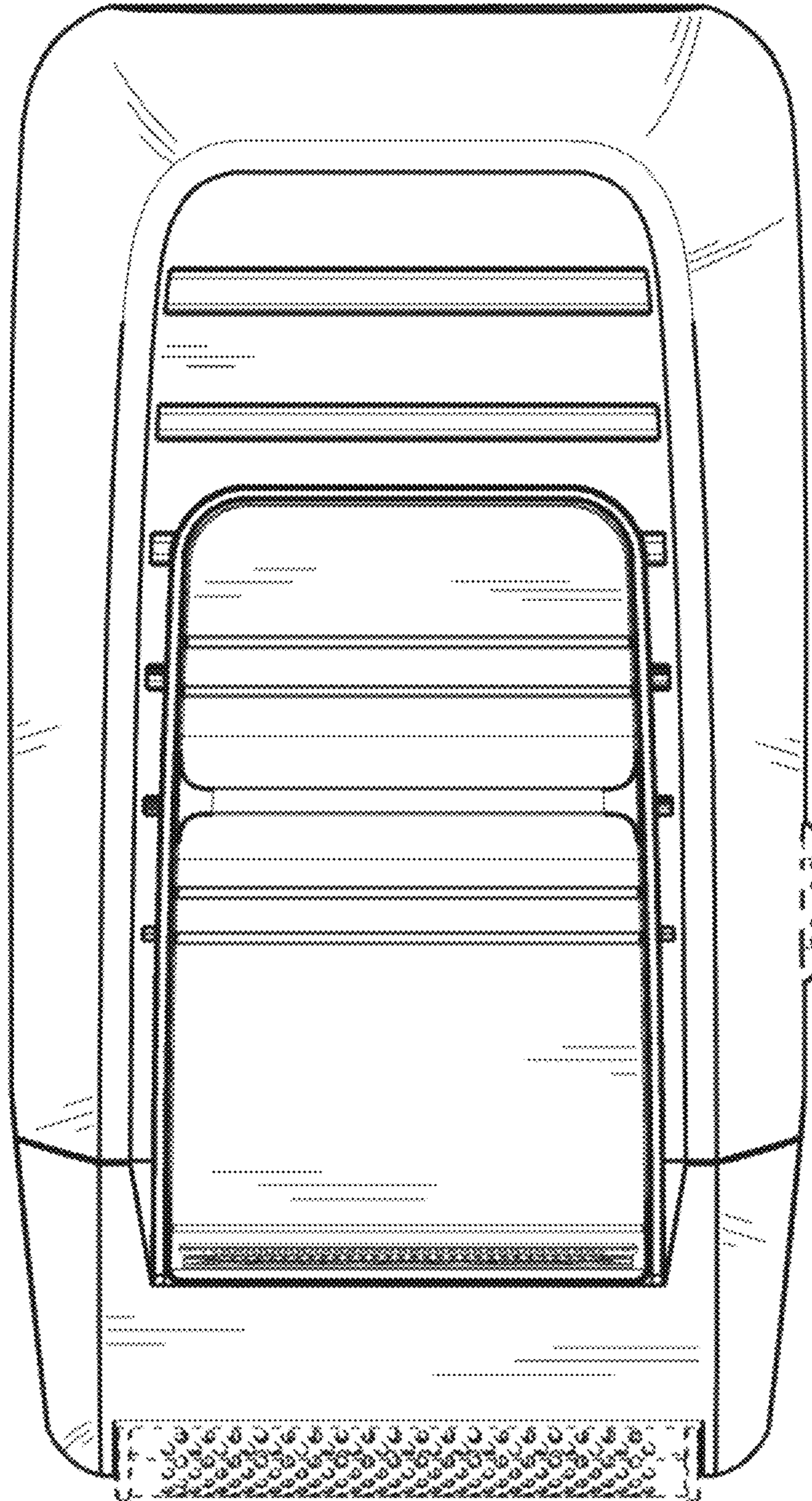
1.4



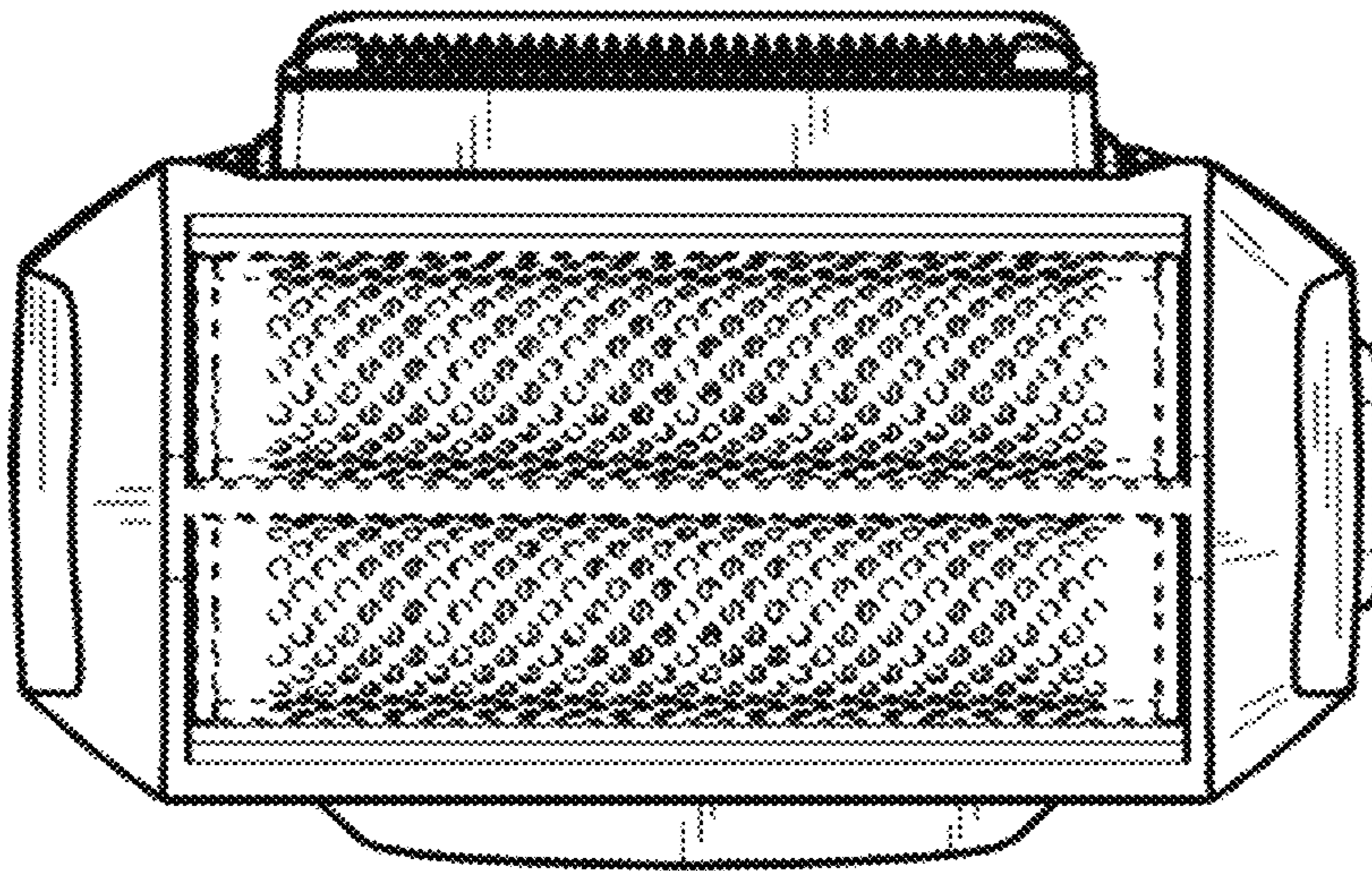
1.5



1.6



1.7



1.8

