



US00D868374S

(12) **United States Design Patent**  
**Macpherson**

(10) **Patent No.:** **US D868,374 S**

(45) **Date of Patent:** **\*\* Nov. 26, 2019**

(54) **CLIPPER BLADES CLEANING JIG**

(71) Applicant: **Ryan Macpherson**, Stockton on Tees  
(GB)

(72) Inventor: **Ryan Macpherson**, Stockton on Tees  
(GB)

(73) Assignee: **Ryan Macpherson**, Durham (GB)

(\*\*) Term: **15 Years**

(21) Appl. No.: **29/645,654**

(22) Filed: **Apr. 27, 2018**

(30) **Foreign Application Priority Data**

Oct. 31, 2017 (EM) ..... 004428126-0001

(51) **LOC (12) Cl.** ..... **28-03**

(52) **U.S. Cl.**  
USPC ..... **D28/47; D28/44.2**

(58) **Field of Classification Search**  
USPC ..... D8/35, 36, 40; D15/138; D28/9, 13, 18,  
D28/24, 28, 30, 34, 44, 44.2, 45-49,  
D28/52-54, 57, 93  
CPC ..... A45D 27/46; B26B 19/3826; B26B 19/48  
See application file for complete search history.

(56) **References Cited**

**U.S. PATENT DOCUMENTS**

D411,647 S \* 6/1999 Wu ..... D28/53  
D561,940 S \* 2/2008 Ullmann ..... D28/44  
7,370,419 B2 \* 5/2008 Coffin ..... B26B 21/227  
30/41  
D581,106 S \* 11/2008 Prat-Pfister ..... D32/1  
D609,404 S \* 2/2010 Peyser ..... D28/47  
D619,304 S \* 7/2010 Shen ..... D28/54  
D620,196 S \* 7/2010 Nicoll ..... D28/47

D665,533 S \* 8/2012 Hazard ..... D28/44  
D672,504 S \* 12/2012 Lyles ..... D28/50  
8,839,521 B2 \* 9/2014 Hazard ..... A45D 24/36  
30/291  
D717,492 S \* 11/2014 Kulshreshtha ..... D28/53  
D717,493 S \* 11/2014 Kulshreshtha ..... D28/53  
D760,955 S \* 7/2016 Haas ..... D28/54  
D776,349 S \* 1/2017 Skye ..... D28/54  
D785,249 S \* 4/2017 Torres ..... D28/54  
D791,410 S \* 7/2017 Whittaker ..... D28/54  
9,878,457 B2 \* 1/2018 Kulshreshtha ..... B26B 19/3853  
10,005,192 B2 \* 6/2018 Kulshreshtha ..... B26B 19/3853  
10,160,125 B1 \* 12/2018 Skye ..... B26B 19/3813

\* cited by examiner

*Primary Examiner* — Garth Rademaker

*Assistant Examiner* — Fritzgerald L Butac

(74) *Attorney, Agent, or Firm* — Levy & Grandinetti

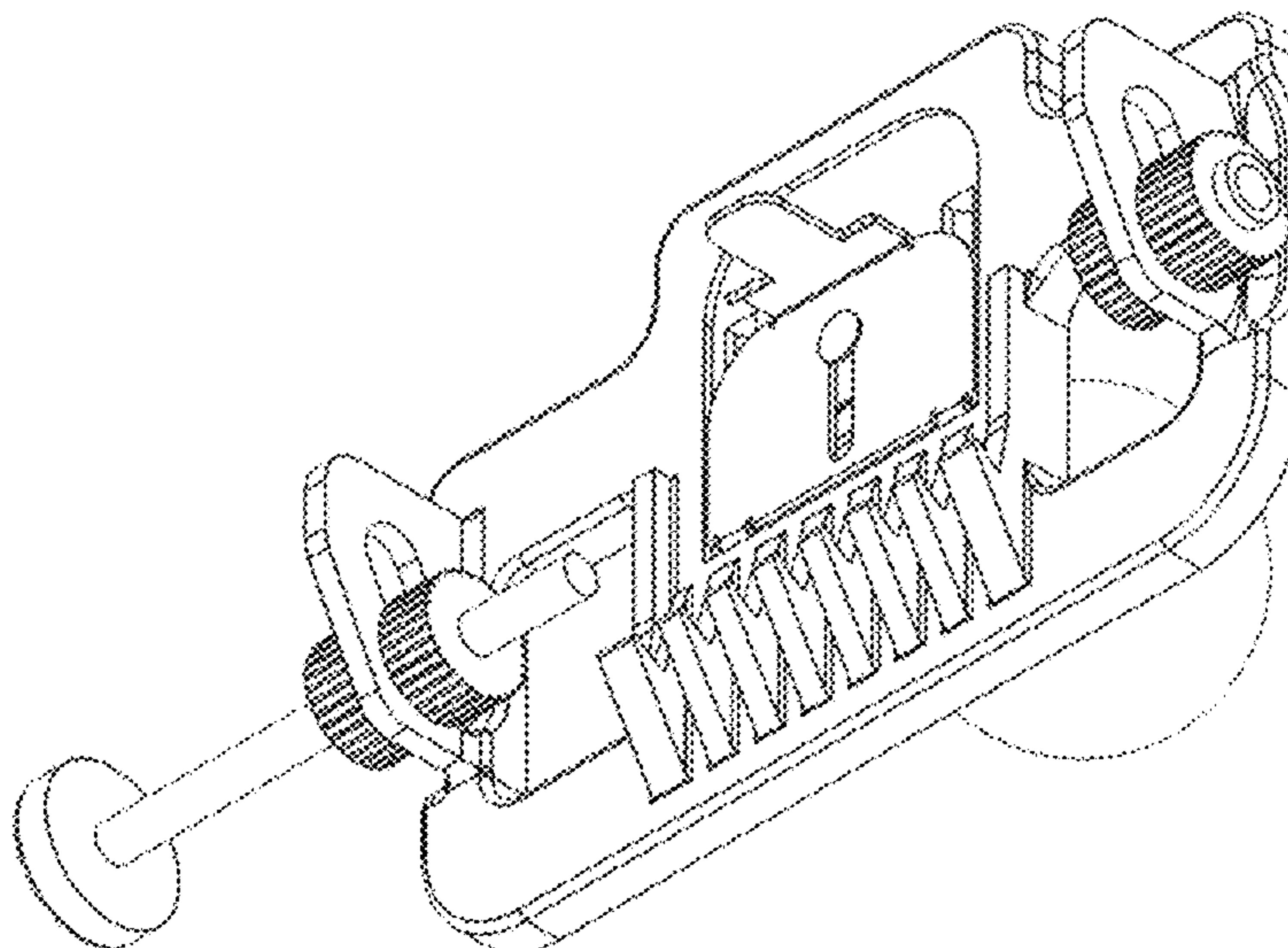
(57) **CLAIM**

The ornamental design for a clipper blades cleaning jig, as shown and described.

**DESCRIPTION**

FIG. 1 is a perspective view of a clipper blades cleaning jig; FIG. 2 is a front view of the clipper blades cleaning jig of FIG. 1; FIG. 3 is a back view of the clipper blades cleaning jig of FIG. 1; FIG. 4 is a left side view of the clipper blades cleaning jig of FIG. 1; FIG. 5 is a right side view of the clipper blades cleaning jig of FIG. 1; FIG. 6 is a top view of the clipper blades cleaning jig of FIG. 1; and, FIG. 7 is a bottom view of the clipper blades cleaning jig of FIG. 1.

**1 Claim, 7 Drawing Sheets**



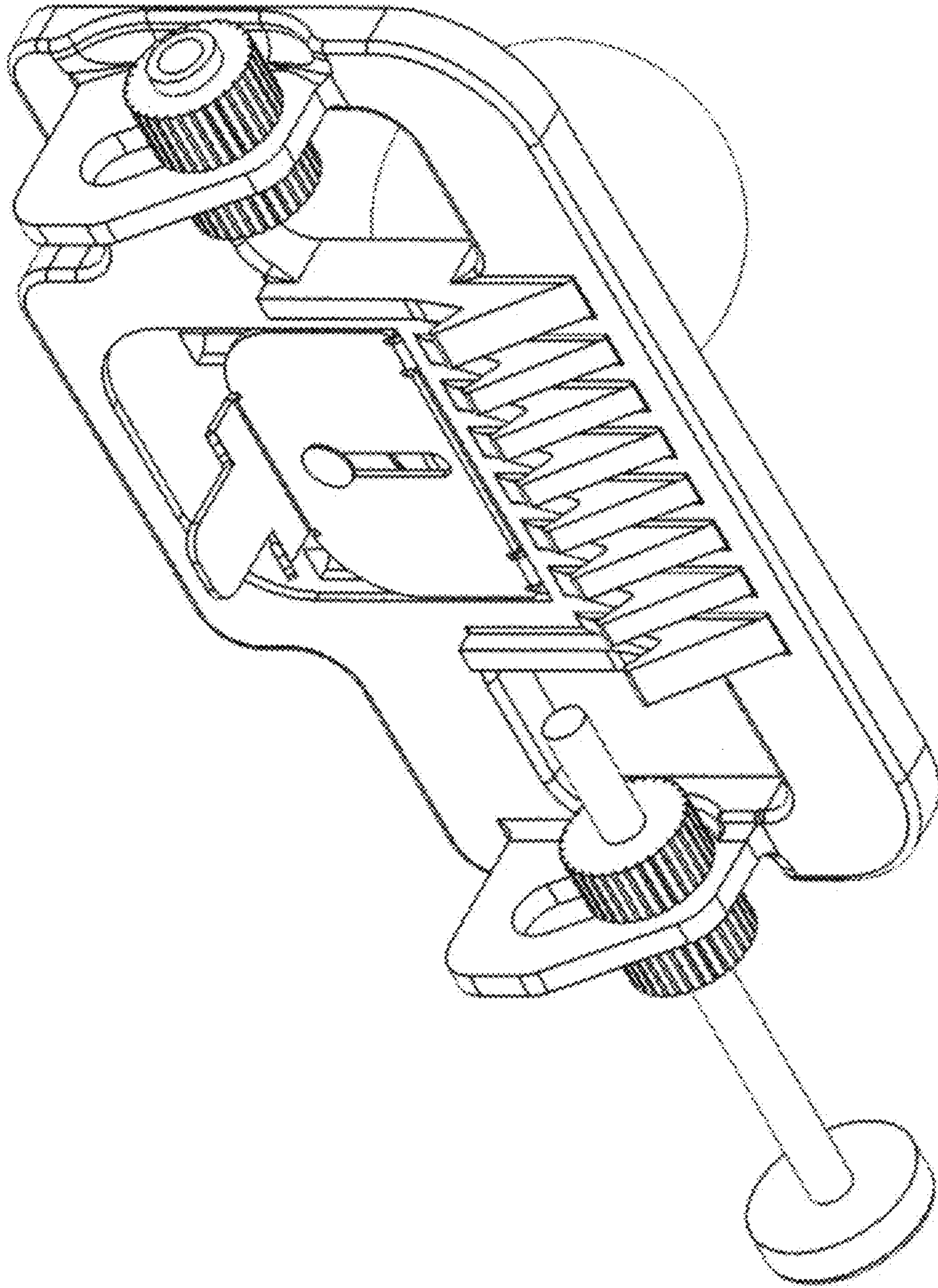


Fig. 1



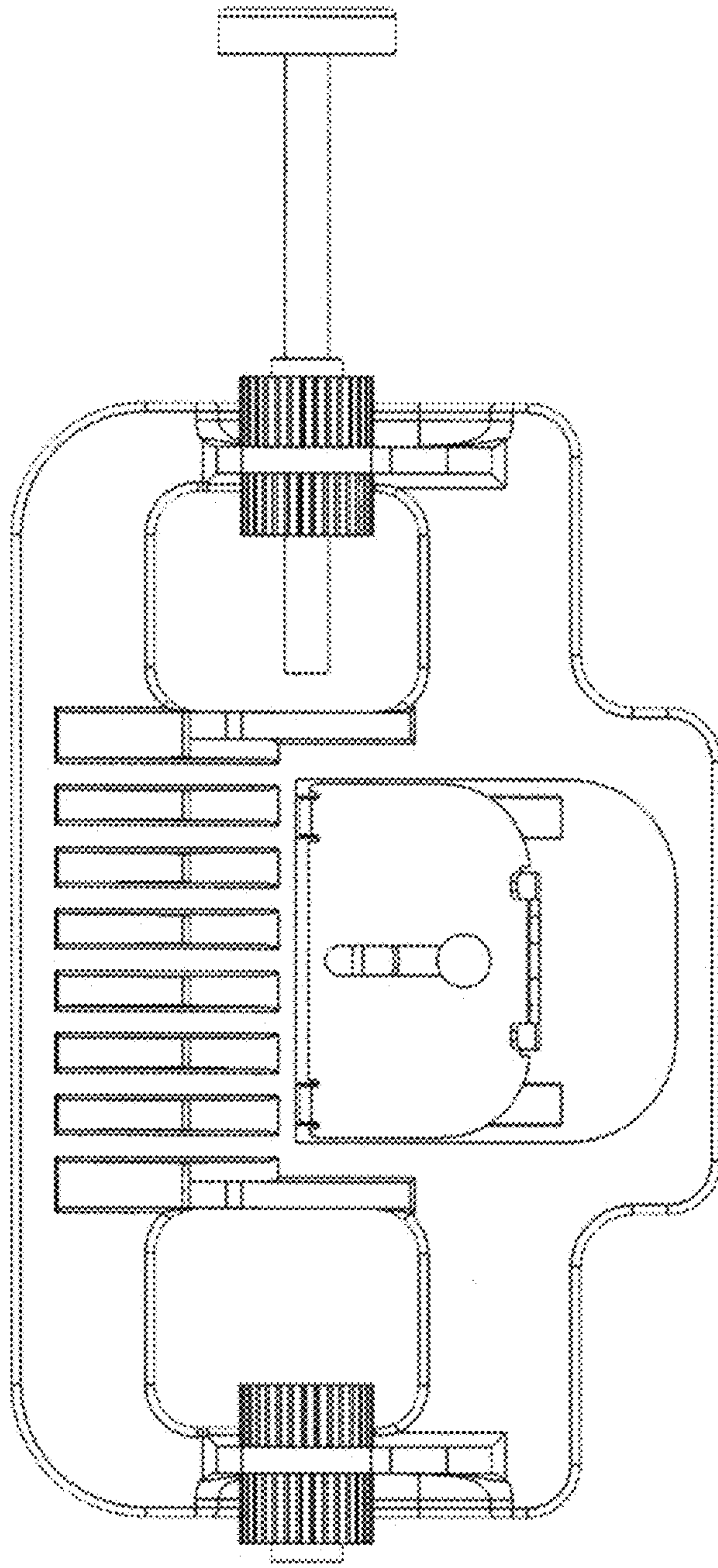


Fig. 2

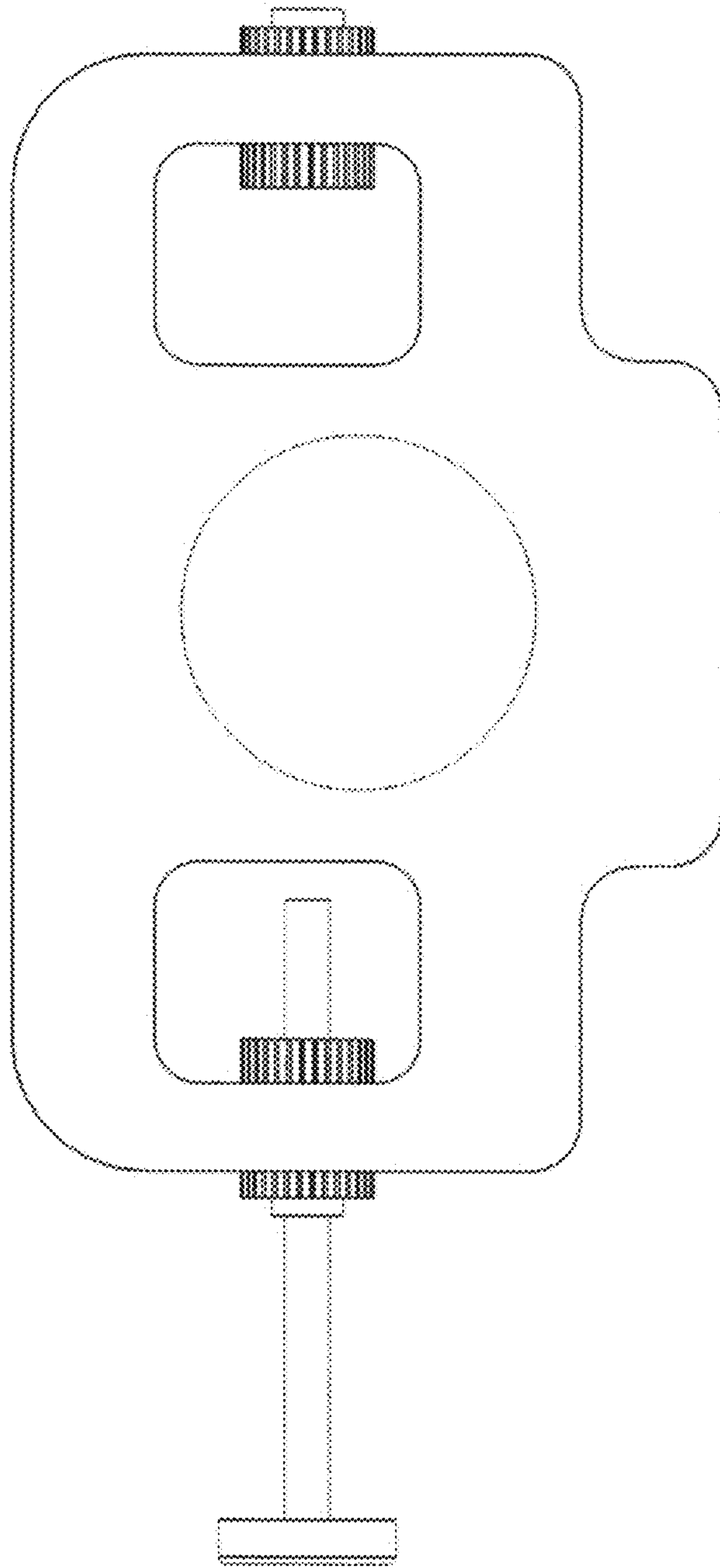


Fig. 3

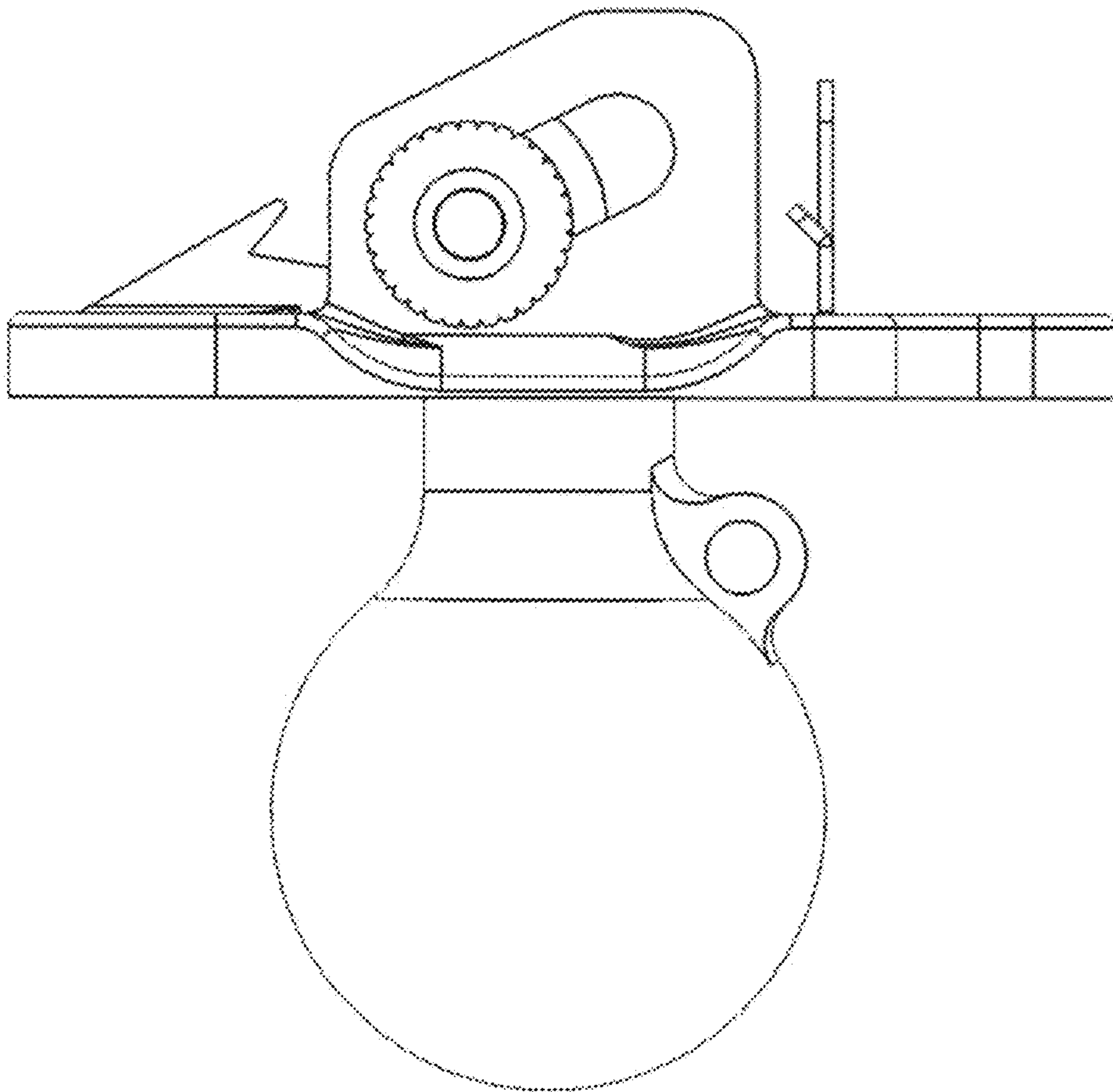


Fig. 4

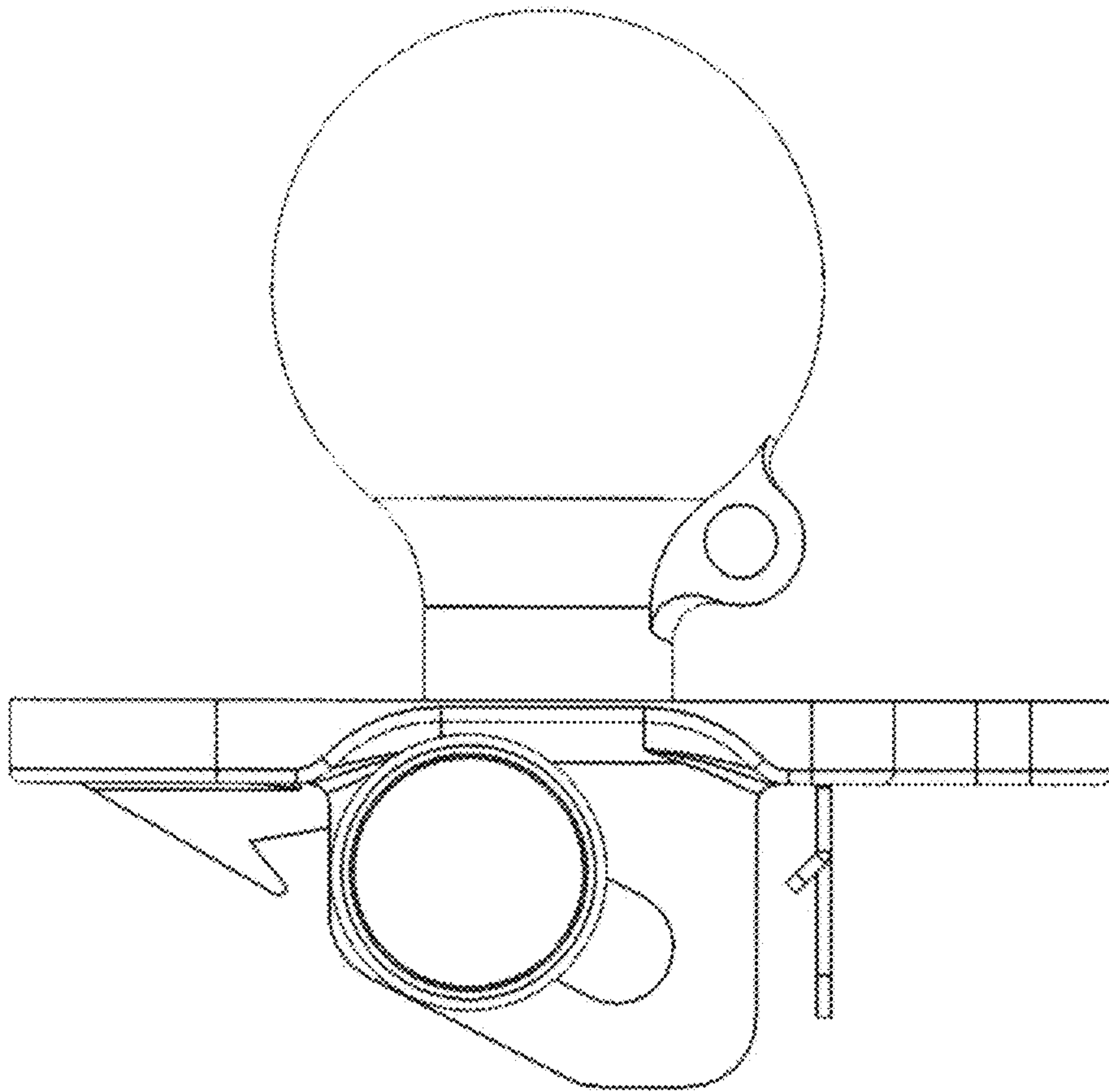


Fig. 5

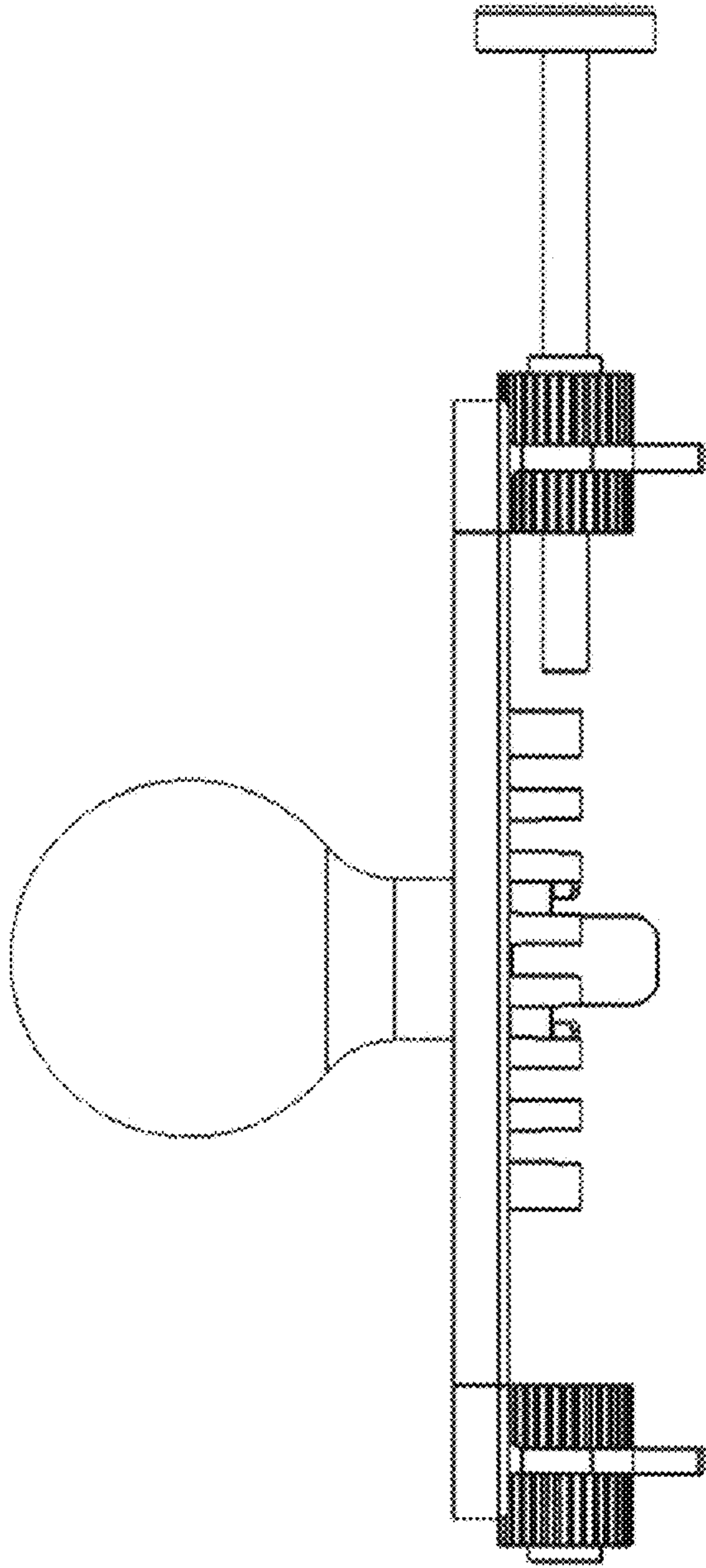


Fig. 6

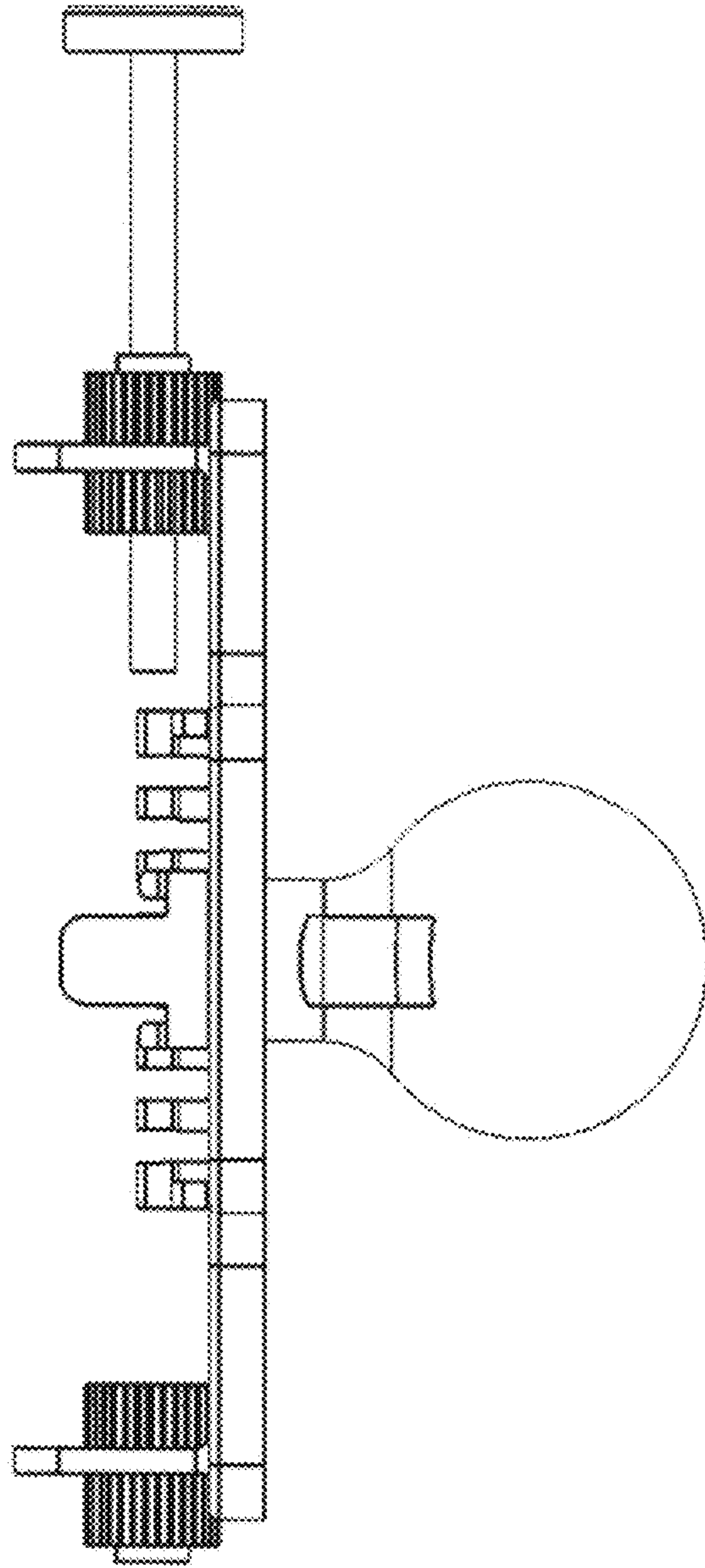


Fig. 7