



US00D868368S

(12) **United States Design Patent** (10) **Patent No.:** **US D868,368 S**
Franzone et al. (45) **Date of Patent:** **** Nov. 26, 2019**

(54) **CAPSULE FOR USE IN A PERSONAL VAPORIZER**

D669,962 S * 10/2012 Schoenherr D23/213
D684,240 S * 6/2013 Stein D23/213
D710,543 S * 8/2014 Dittmer D28/73

(Continued)

(71) Applicant: **Valley Product Concepts, LLC**, Hunt Valley, MD (US)

FOREIGN PATENT DOCUMENTS

(72) Inventors: **John B. Franzone**, Rockville, MD (US); **Leo Kahl**, Bel Air, MD (US); **Nicholas Flower**, Baltimore, MD (US)

WO WO 2015/116934 A1 8/2015
WO WO 2016/172802 A1 11/2016

(73) Assignee: **Valley Product Concepts, LLC**, Hunt Valley, MD (US)

OTHER PUBLICATIONS

(**) Term: **15 Years**

BudKup Gen. 1.0, available online via e-commerce website (<https://www.budkups.com>), Mar. 2, 2017.

(Continued)

(21) Appl. No.: **29/653,535**

Primary Examiner — Susan Bennett Hattan
Assistant Examiner — Rebecca Tsehaye
(74) *Attorney, Agent, or Firm* — Shapiro, Gabor and Rosenberger, PLLC

(22) Filed: **Jun. 15, 2018**

(51) **LOC (12) Cl.** **27-02**

(52) **U.S. Cl.**
USPC **D27/167**

(57) **CLAIM**

The ornamental design for a capsule for use in a personal vaporizer, as shown and described.

(58) **Field of Classification Search**
USPC D27/167, 101, 162, 168, 172, 183, 184, D27/186, 193; D24/110; D23/213, 228, D23/229, 261; D28/73; 131/273, 329, 131/330, 198.1, 200; 239/553.3, 566, 239/590, 369, 596; 128/202.21
CPC A24F 47/002; A24F 47/004; A24F 47/006; A24F 47/008; A61M 15/00; A61M 15/06
See application file for complete search history.

DESCRIPTION

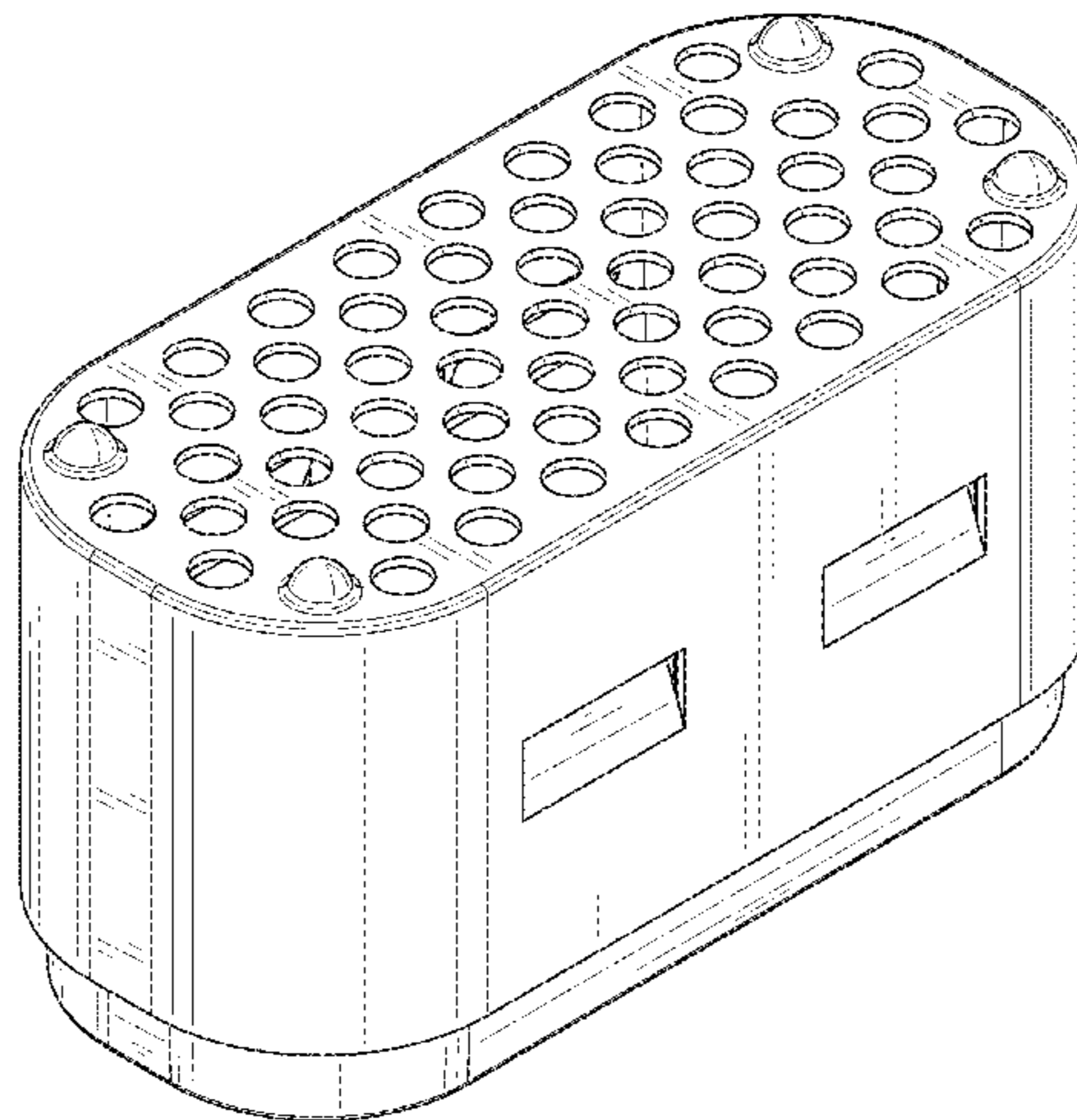
FIG. 1 is an upper perspective view of a capsule for use in a personal vaporizer, showing our new design;
FIG. 2 is an exploded upper perspective view of the capsule, showing the body of the capsule and the cap thereof disassembled; the broken lines appearing on FIG. 2 are a drawing convention showing the relationship between parts and form no part of the claimed design.
FIG. 3 is a cross-sectional view of the capsule taken at line 3-3 in FIG. 5;
FIG. 4 is an end view of the capsule, the opposite end having the same appearance;
FIG. 5 is a side view of the capsule, the opposite side having the same appearance;
FIG. 6 is a top view of the capsule;
FIG. 7 is a bottom view of the capsule; and,
FIG. 8 is a lower perspective view of the capsule.

(56) **References Cited**

U.S. PATENT DOCUMENTS

D150,175 S * 7/1948 Thomas D27/189
D293,943 S * 1/1988 Wadsworth D28/76
D373,846 S * 9/1996 Rothman D27/172
6,065,592 A * 5/2000 Wik A24F 15/20
131/270
D449,404 S * 10/2001 Emery D27/186
D568,533 S * 5/2008 Bagaric D27/186
D592,401 S * 5/2009 Beavers D3/304

1 Claim, 8 Drawing Sheets



(56)

References Cited

U.S. PATENT DOCUMENTS

D712,091 S * 8/2014 Liu D27/186
D714,958 S * 10/2014 Smeja D24/230
8,869,792 B1 10/2014 Lee
D734,867 S * 7/2015 Smeja D24/230
9,272,103 B2 3/2016 Storz
9,408,416 B2 8/2016 Monsees et al.
D779,045 S * 2/2017 Johansen D23/261
D816,434 S * 5/2018 Burns D7/667
D831,172 S * 10/2018 Schluter D23/261
D835,841 S * 12/2018 Xu D27/167
2007/0283972 A1 12/2007 Monsees et al.

OTHER PUBLICATIONS

BudKup Gen. 1.5, available online via e-commerce website (<https://www.budkups.com>), May 2, 2018.

BudKup Gen. 2.0, available online via e-commerce website (<https://www.budkups.com>), Feb. 14, 2018.

European Union Intellectual Property Office, Industrial Design 003387299-0001, "Container for Medical Purposes," published Sep. 2016.

FlowerMate Accessories [online], Jun. 7, 2018 [retrieved May 3, 2019]. Retrieved from the Internet: <<https://flowermate.com/product-category/accessories/>>.

Ghost Vapes Accessories [online], Oct. 2017 [retrieved on May 30, 2019]. Retrieved from the Internet: <<https://web.archive.org/web/20171016181457/https://www.ghostvapes.com/accessories/>>.

Storz & Bickel Dosing Capsule Set [online], Jun. 7, 2018 [retrieved May 3, 2019]. Retrieved from the Internet: <<https://www.storz-bickel.com/us/en/dosing-capsule-set-40.html>>.

* cited by examiner

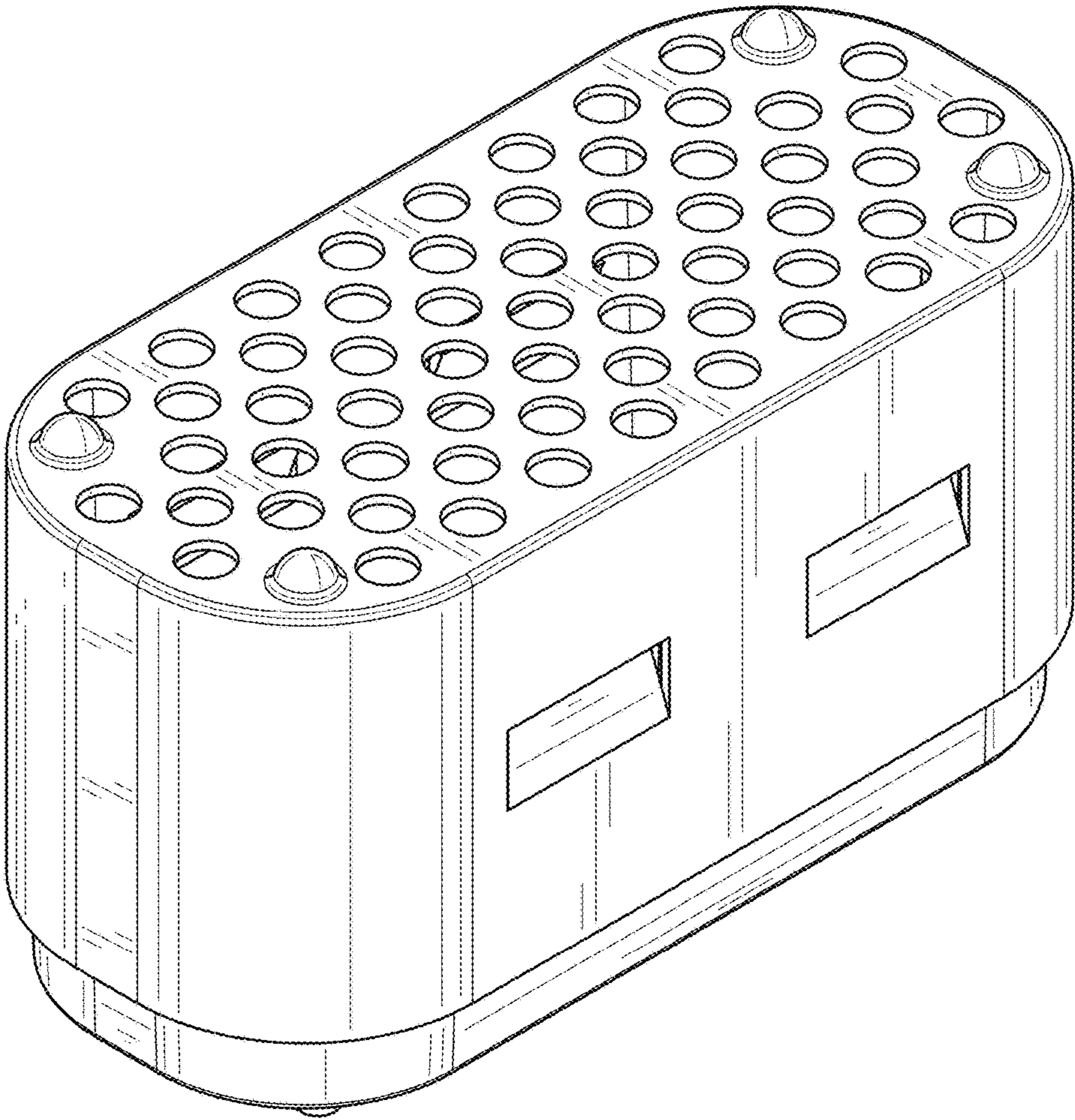


FIG. 1

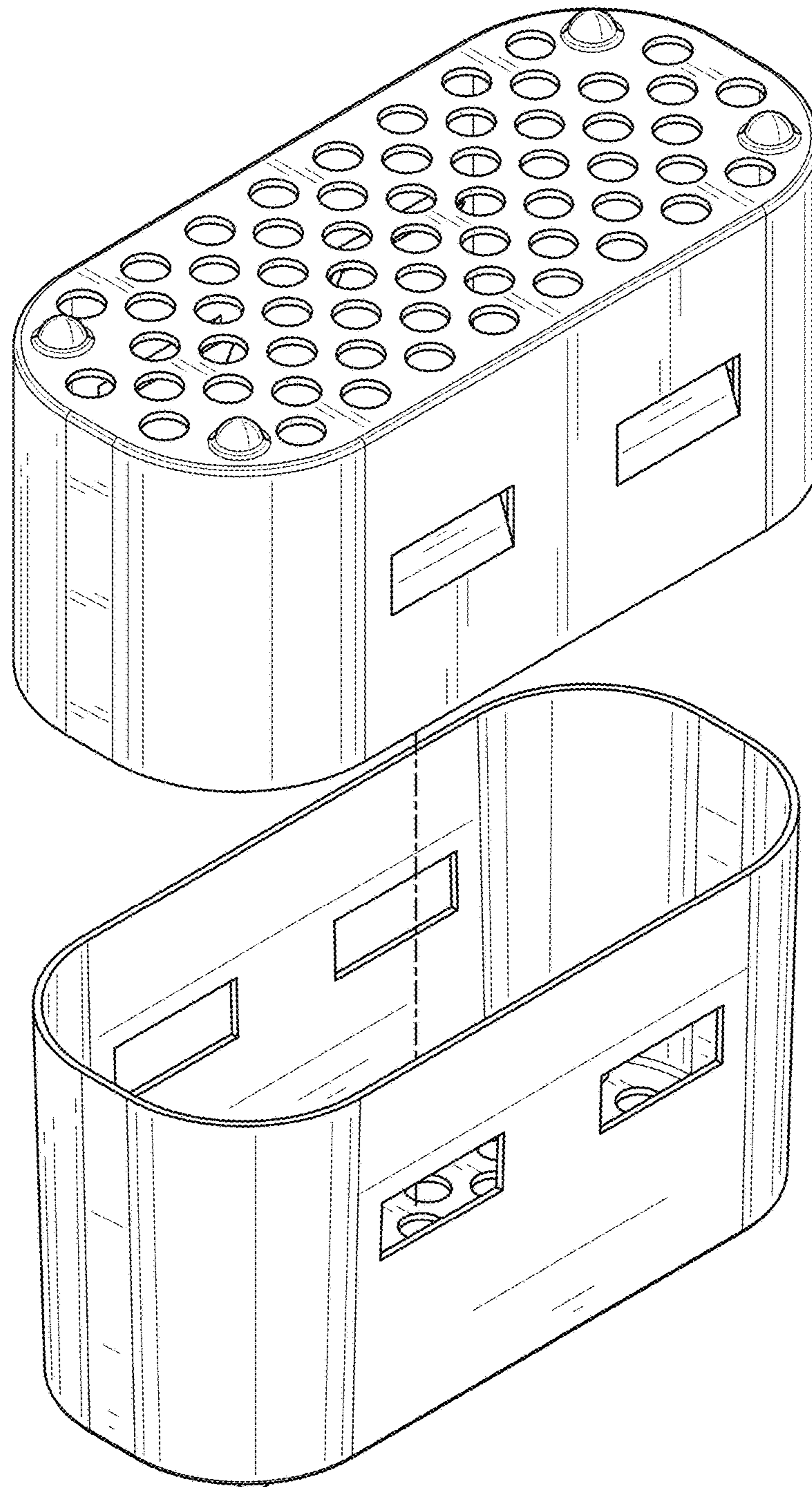


FIG. 2

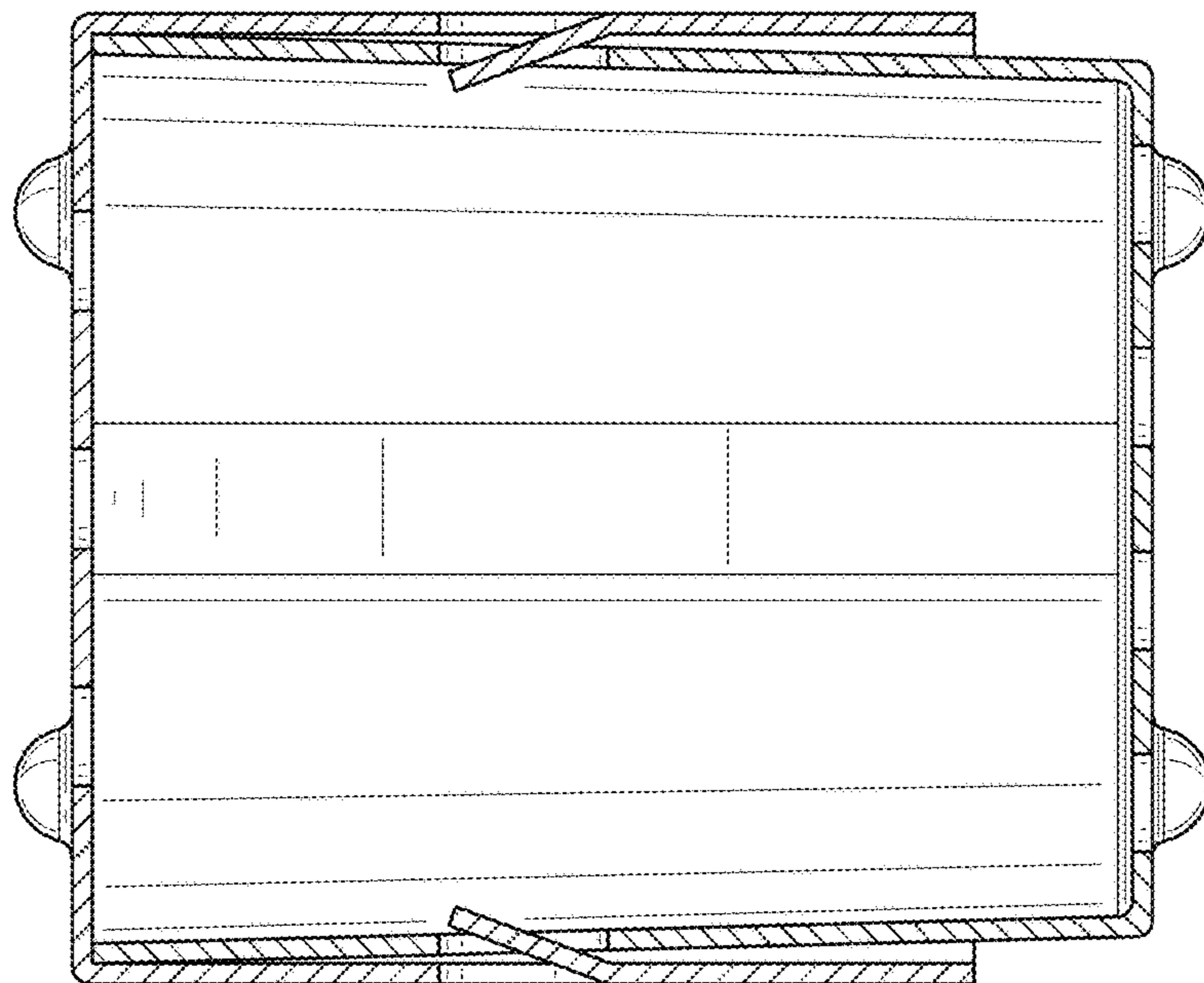


FIG. 3

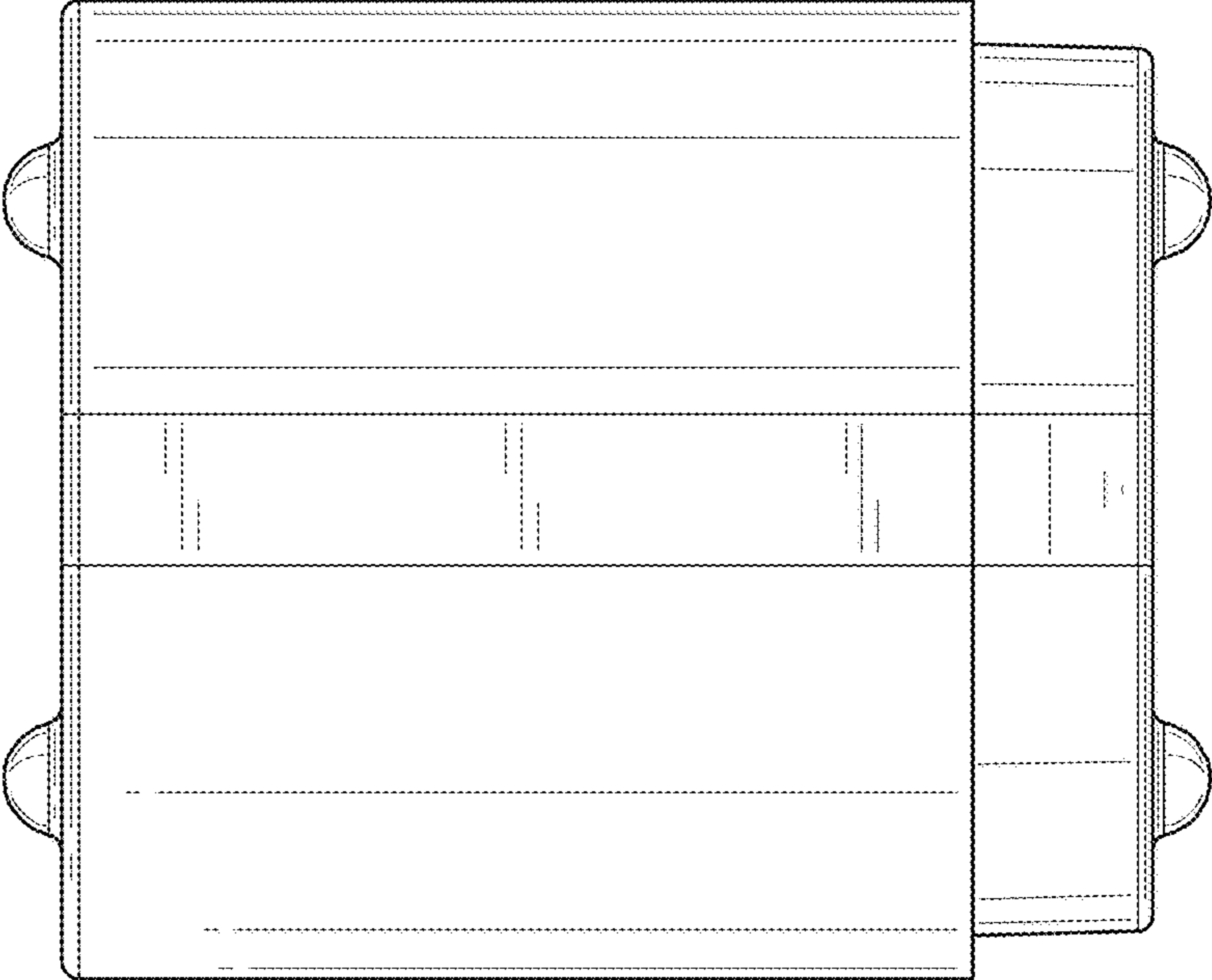


FIG. 4

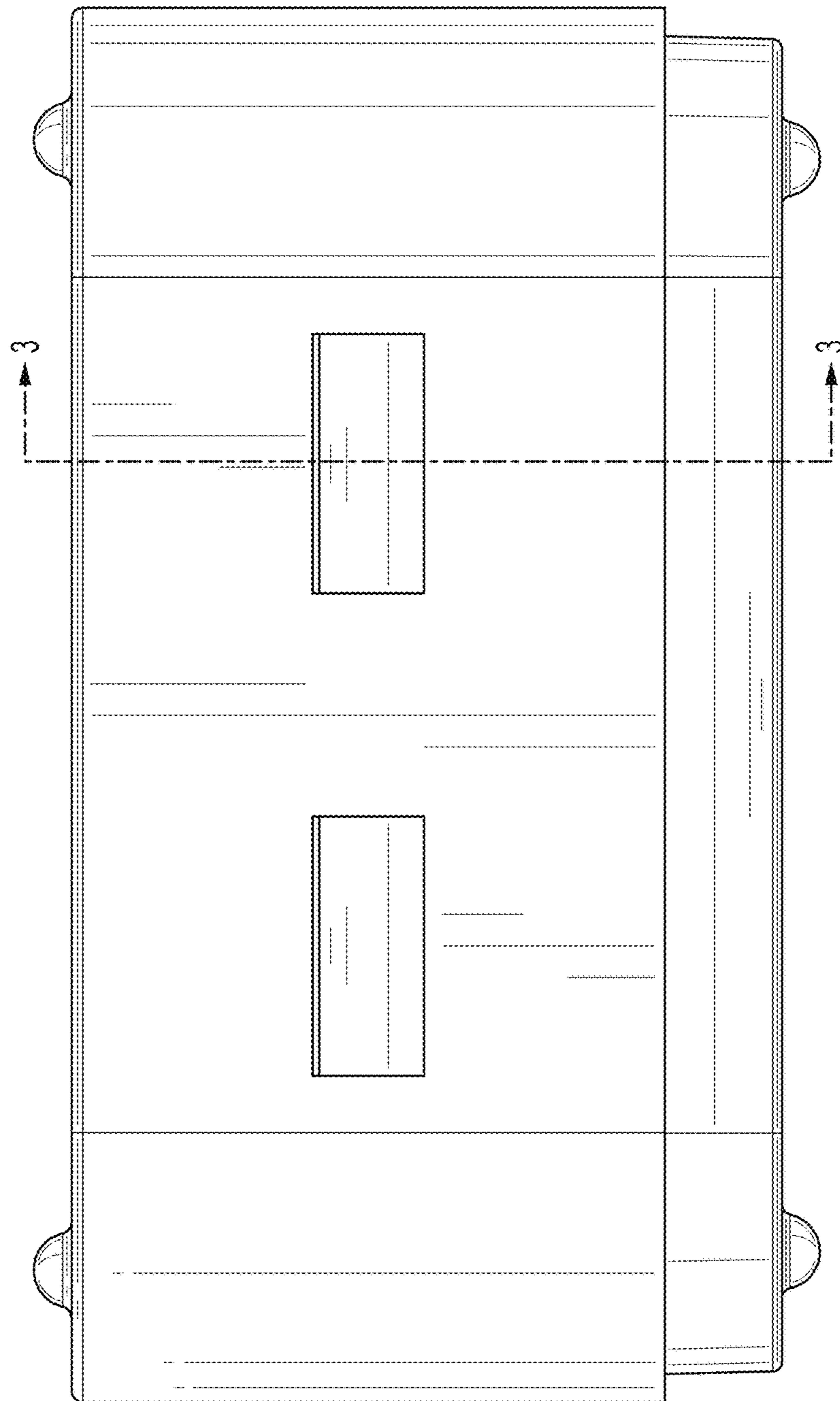


FIG. 5

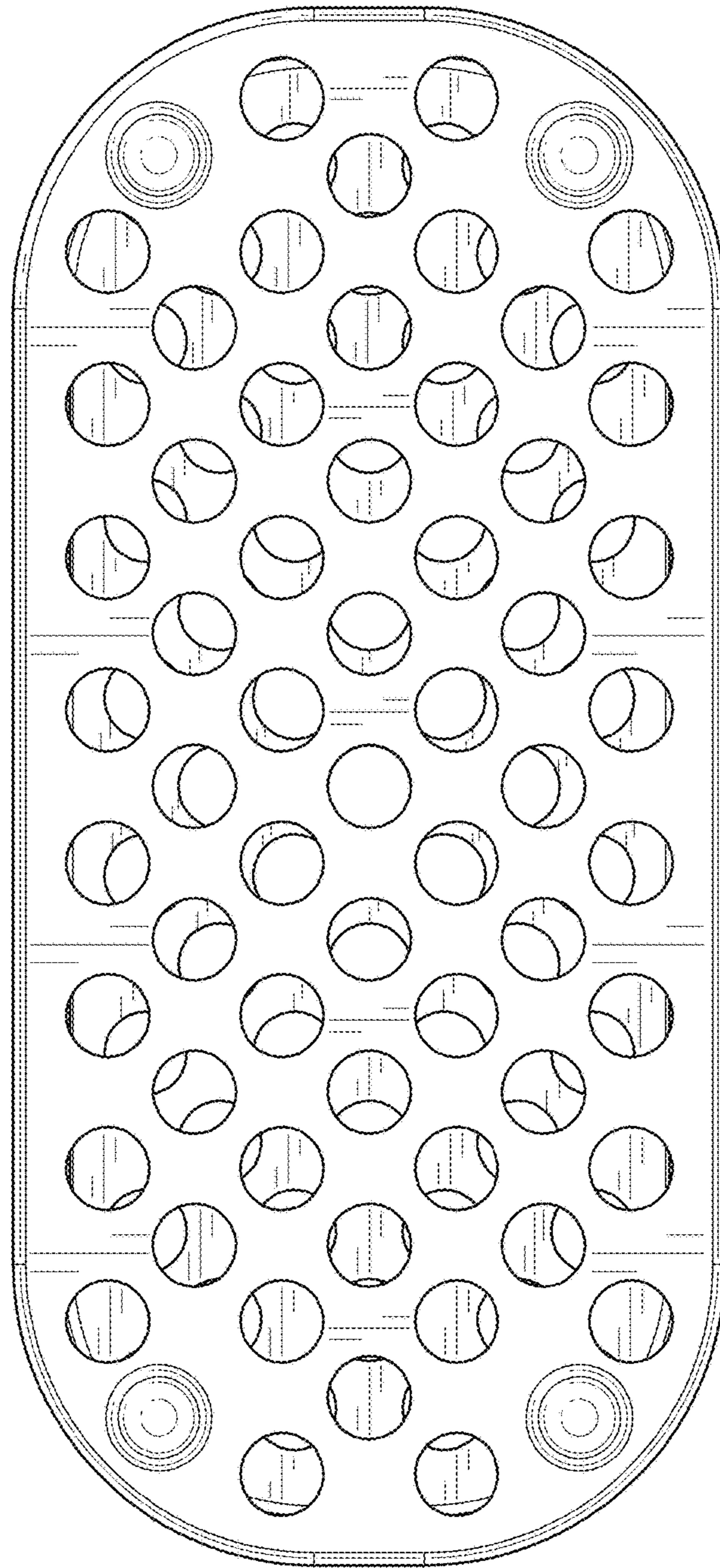


FIG. 6

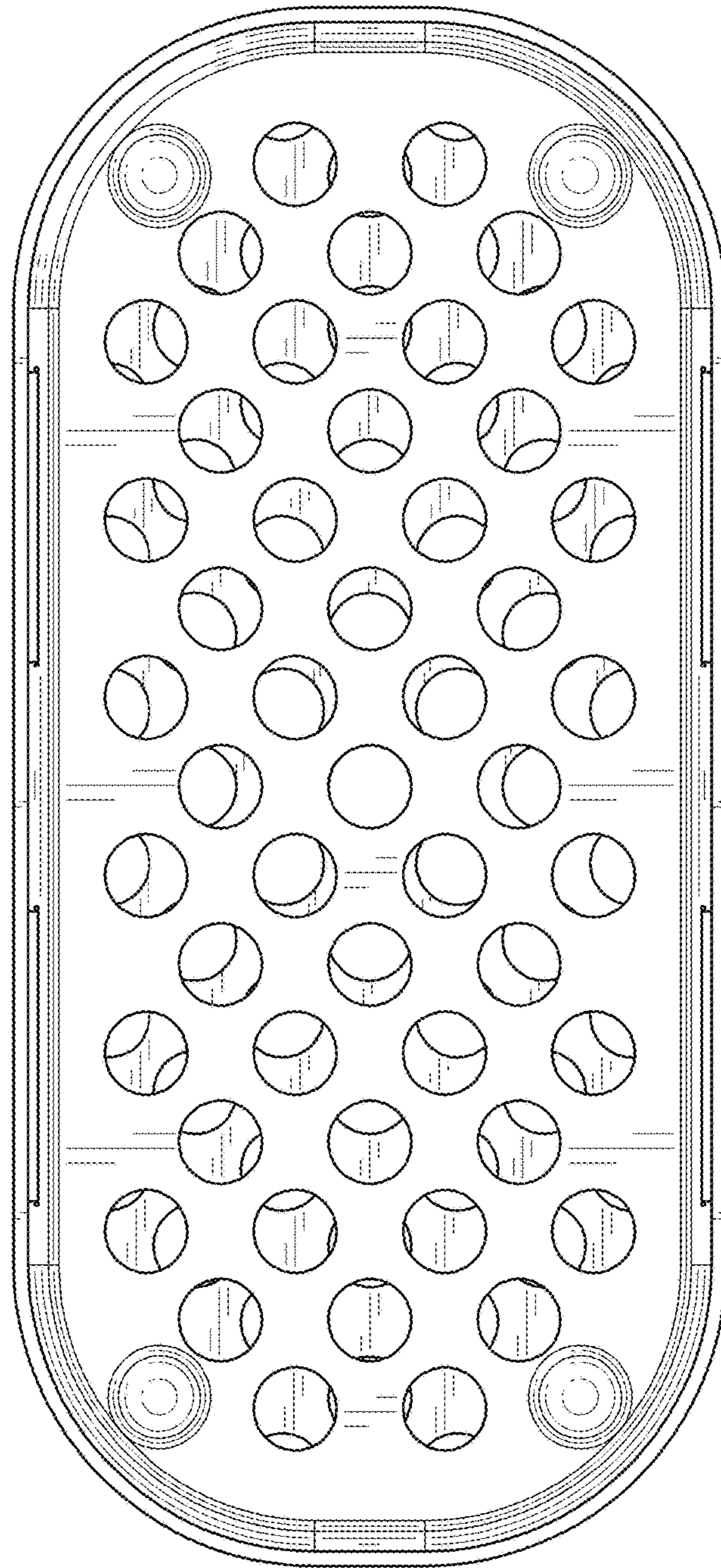


FIG. 7

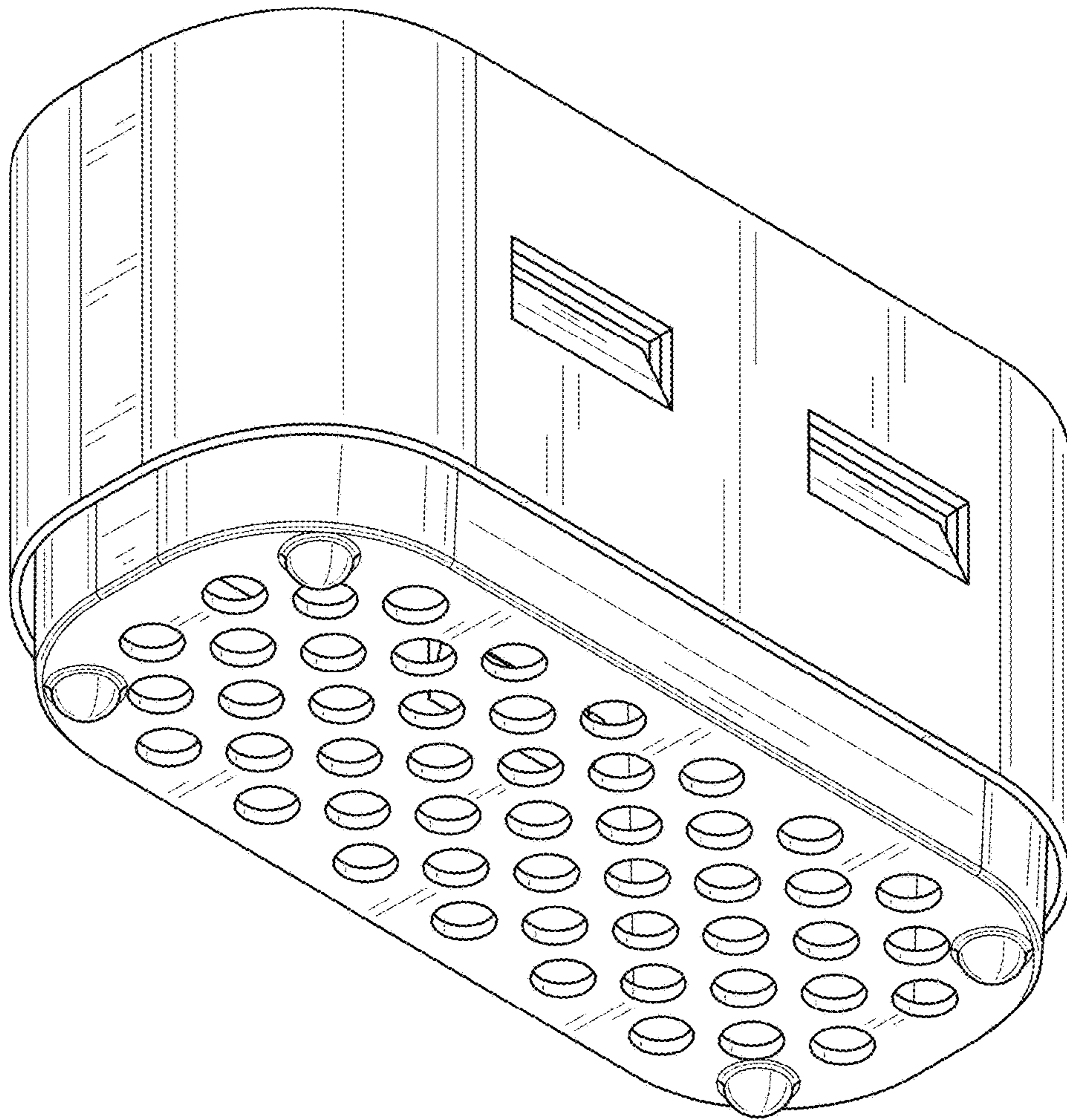


FIG. 8