



US00D868365S

(12) **United States Design Patent** (10) **Patent No.:** **US D868,365 S**  
**Kassir** (45) **Date of Patent:** **\*\* Nov. 26, 2019**

(54) **LIGHTER**

(71) Applicant: **KCI Newport, Inc.**, Irwindale, CA (US)

(72) Inventor: **Ziad Kassir**, Burbank, CA (US)

(73) Assignee: **KCI Newport, Inc.**, Irwindale, CA (US)

(\*\*) Term: **15 Years**

(21) Appl. No.: **29/653,049**

(22) Filed: **Jun. 12, 2018**

(51) **LOC (12) Cl.** ..... **27-05**

(52) **U.S. Cl.**  
USPC ..... **D27/157; D27/141; D27/159; D27/139; D27/148**

(58) **Field of Classification Search**  
USPC ..... D27/141, 157, 159, 153, 158, 139, 142, D27/148; D21/572; D22/104; 431/273, 431/274, 350, 351  
CPC ..... F23Q 2/00; F23Q 2/02; F23Q 2/16; F23Q 2/161; F23Q 2/162; F23Q 2/164; F23Q 2/167; F23Q 7/00; F23Q 7/14; F23Q 7/16; F23Q 7/24; F23Q 7/10  
See application file for complete search history.

(56) **References Cited**

**U.S. PATENT DOCUMENTS**

D244,619 S	6/1977	Neyret	
D299,000 S	12/1988	Yoshinaga	
5,462,432 A	10/1995	Kim	
5,564,918 A	10/1996	Lin	
D376,302 S *	12/1996	Tsai	D8/29.1
5,667,377 A	9/1997	Lin	
D398,050 S *	9/1998	Yoshinaga	D23/415
D403,807 S *	1/1999	Fontaine, Jr.	D27/154

(Continued)

**OTHER PUBLICATIONS**

<https://www.overstock.com/Food-Gifts/Caseti-Elegante-Slim-Lighter-White/14229344/product.html>, dated Dec. 8, 2018.

*Primary Examiner* — Susan Bennett Hattan

*Assistant Examiner* — Rebecca Tsehaye

(74) *Attorney, Agent, or Firm* — Akerman LLP; Peter A. Chiabotti

(57) **CLAIM**

The ornamental design for a lighter, as shown and described.

**DESCRIPTION**

FIG. 1 is a perspective view of the lighter showing my new design;

FIG. 2 is a front view thereof;

FIG. 3 is back view thereof;

FIG. 4 is a left side elevation view thereof;

FIG. 5 is a right side elevation view thereof;

FIG. 6 is a top plan view thereof;

FIG. 7 is a bottom plan view thereof;

FIG. 8 is a perspective view of the lighter showing my new design in accordance with an alternative embodiment;

FIG. 9 is a front view thereof;

FIG. 10 is back view thereof;

FIG. 11 is a left side elevation view thereof;

FIG. 12 is a right side elevation view thereof;

FIG. 13 is a top plan view thereof;

FIG. 14 is a bottom plan view thereof;

FIG. 15 is a perspective view of the lighter showing my new design in accordance with an alternative embodiment;

FIG. 16 is a front view thereof;

FIG. 17 is back view thereof;

FIG. 18 is a left side elevation view thereof;

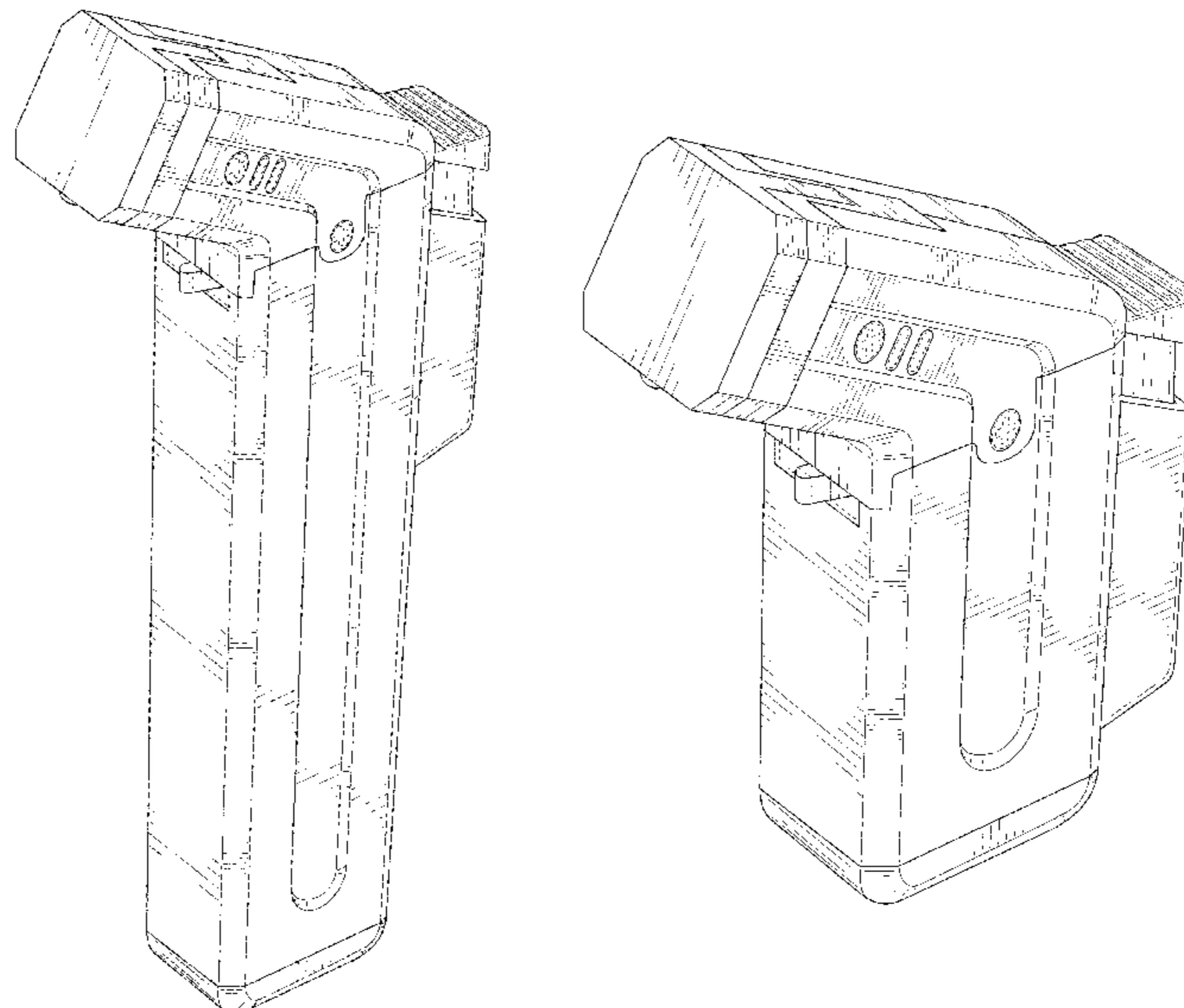
FIG. 19 is a right side elevation view thereof;

FIG. 20 is a top plan view thereof; and,

FIG. 21 is a bottom plan view thereof.

The portions shown in broken lines form no part of the claimed design.

**1 Claim, 15 Drawing Sheets**



(56)

References Cited

U.S. PATENT DOCUMENTS

5,921,768 A *	7/1999	Jongc	.....	F23Q 2/16 431/255	D551,387 S *	9/2007	Smith	.....	D27/157
5,971,751 A	10/1999	Lee			D552,298 S	10/2007	Smith		
6,186,772 B1	2/2001	Huang			D553,290 S	10/2007	Smith		
D440,008 S	4/2001	Ku			D567,437 S	4/2008	Smith		
D444,912 S	7/2001	Xie et al.			D586,035 S *	2/2009	Chuan	.....	D27/157
D447,275 S	8/2001	Coquerel			D605,350 S	12/2009	Smith		
6,298,856 B1	10/2001	Park			D617,042 S	6/2010	Wong		
D465,978 S	11/2002	Miyanaga			D622,902 S	8/2010	An		
D466,643 S	12/2002	Harel			D624,694 S	9/2010	Zande		
D466,648 S	12/2002	Cohen			7,815,432 B2	10/2010	Smith		
D468,482 S	1/2003	Lin			D629,154 S	12/2010	Sung		
D472,341 S	3/2003	Cohen			D629,966 S *	12/2010	Chuan	.....	D27/157
6,575,735 B1	6/2003	Lloveras			D634,889 S	3/2011	Park		
D477,747 S	7/2003	Hsu			D664,294 S	7/2012	Howell et al.		
D481,163 S *	10/2003	Lin	.....	D27/149	D664,709 S	7/2012	Almsberger et al.		
D481,598 S	11/2003	Lin			D664,710 S	7/2012	Van Keppel et al.		
6,727,444 B1 *	4/2004	Lin	.....	H01H 9/06 200/61.86	D667,993 S	9/2012	Lin		
D495,088 S	8/2004	Lin			D667,994 S	9/2012	Lin		
D498,330 S	11/2004	Koike			D681,875 S	5/2013	Parker		
D510,456 S	10/2005	Smith			D693,962 S	11/2013	Parker		
D515,356 S *	2/2006	Chen	.....	D27/154	D717,488 S	11/2014	Martin		
D519,800 S	5/2006	Glover et al.			D742,062 S	10/2015	Almsberger et al.		
D527,141 S *	8/2006	Smith	.....	D27/157	D742,063 S	10/2015	Recio		
D529,227 S	9/2006	Smith			D754,913 S	4/2016	Almsberger et al.		
D531,354 S	10/2006	Kassir			D770,900 S	11/2016	Hendricks et al.		
D536,480 S	2/2007	Park			D814,262 S *	4/2018	Khubani	.....	D8/68
D537,560 S	2/2007	Chuang			D818,637 S	5/2018	Ringel		
D538,972 S	3/2007	Smith			D820,331 S *	6/2018	Walters	.....	D15/144
D539,472 S	3/2007	Almsberger et al.			D843,645 S	3/2019	Mucaro		
D539,473 S	3/2007	Almsberger et al.			D844,405 S *	4/2019	Shen	.....	D8/29.1
D541,490 S *	4/2007	Madson	.....	D30/156	10,302,303 B2	5/2019	Chau		
D542,465 S	5/2007	Lou			2009/0098494 A1 *	4/2009	Aronson, II	.....	F23D 14/28 431/153
D550,897 S	9/2007	Smith			2010/0261129 A1	10/2010	Lin		
					2012/0244480 A1 *	9/2012	Tsai	.....	F23D 14/28 431/153
					2019/0093889 A1 *	3/2019	Ho	.....	F23Q 2/164
					2019/0093890 A1 *	3/2019	Shen	.....	F23D 14/38

\* cited by examiner

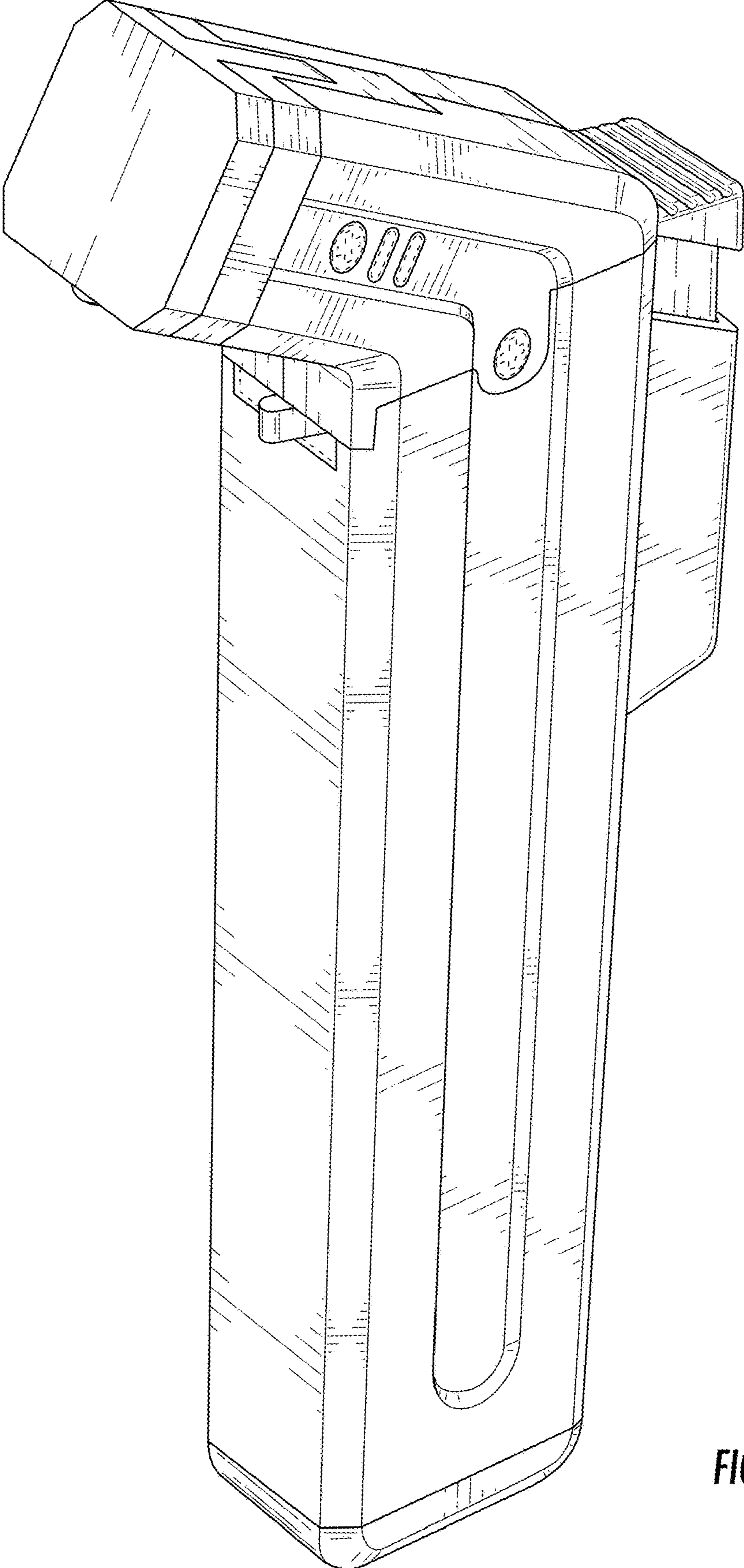


FIG. 1

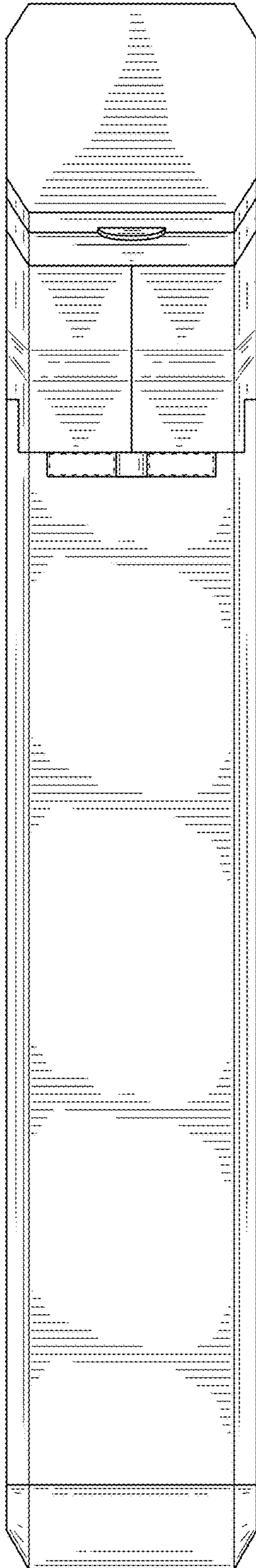


FIG. 2

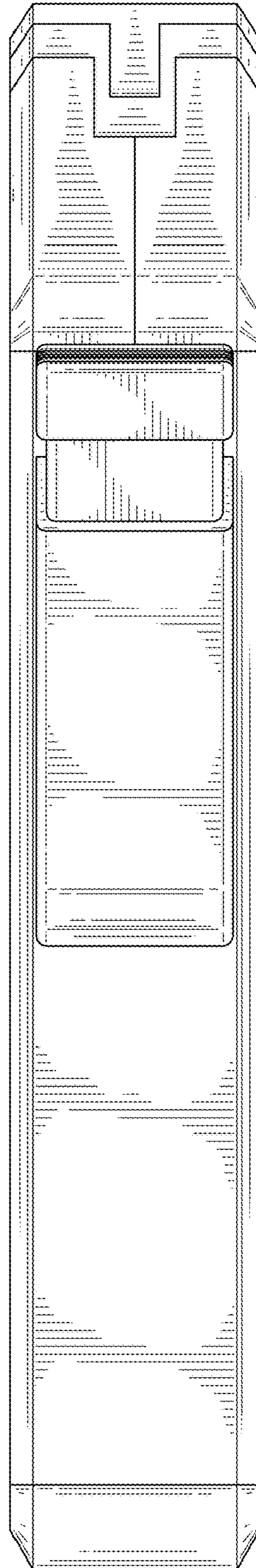


FIG. 3

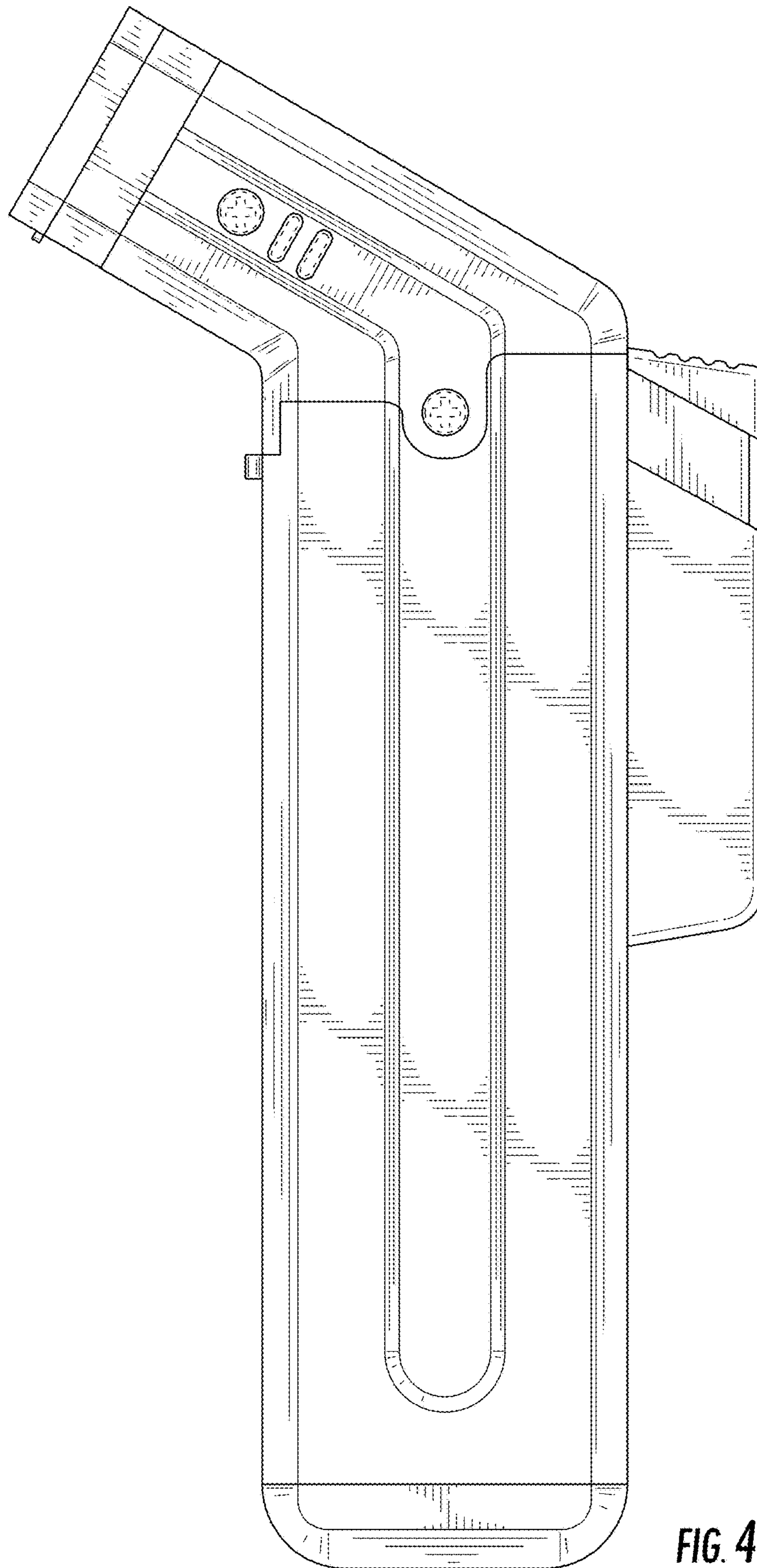


FIG. 4

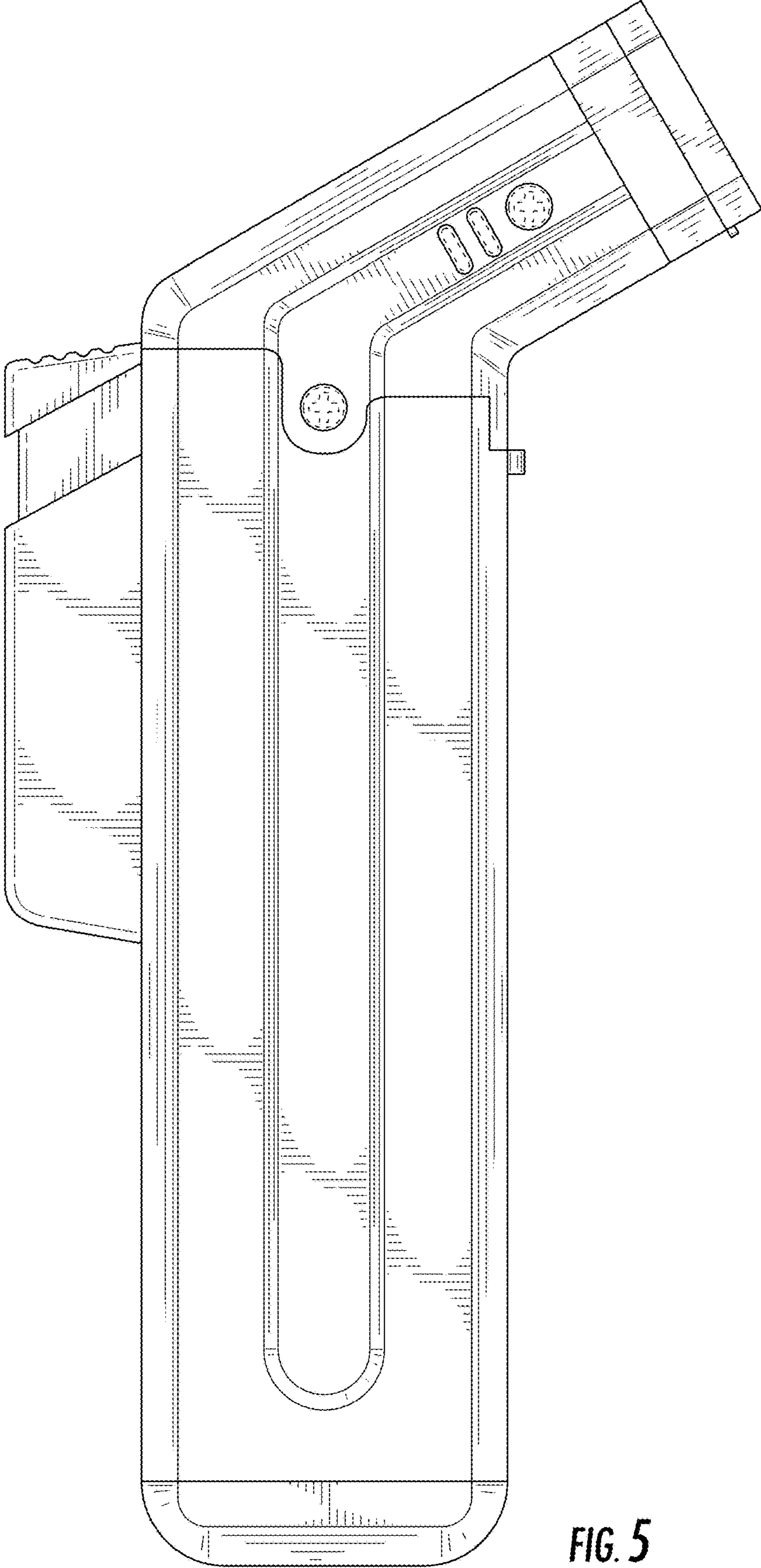


FIG. 5

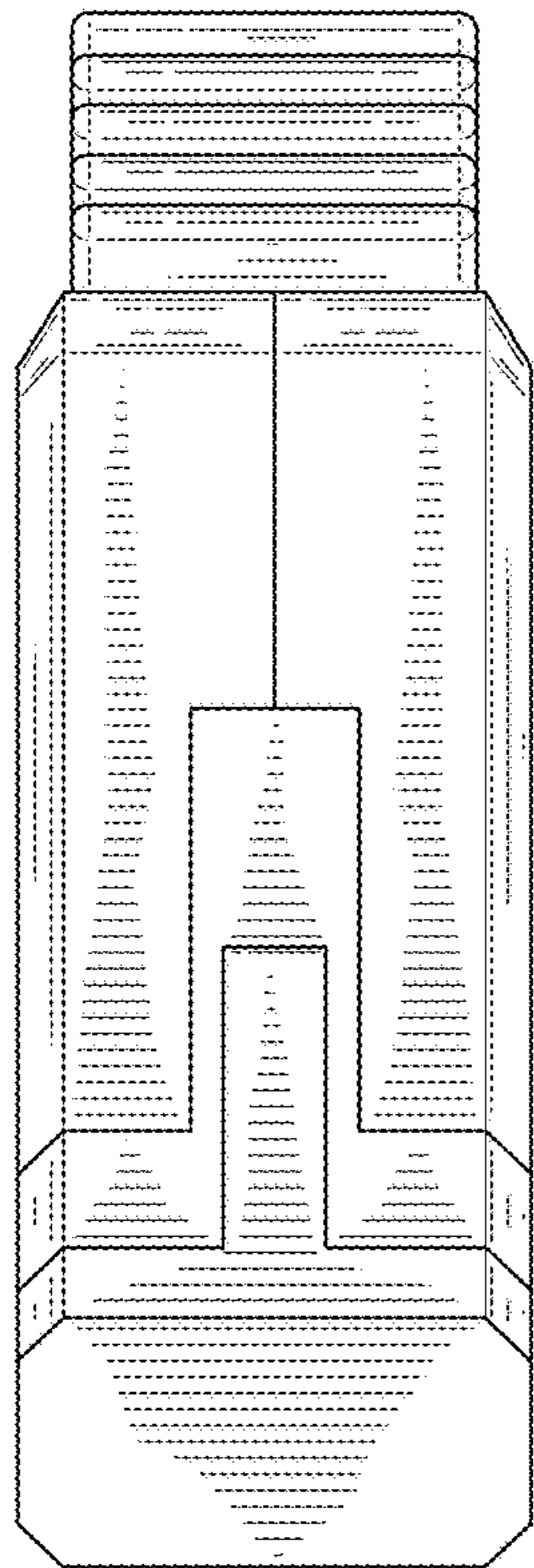


FIG. 6

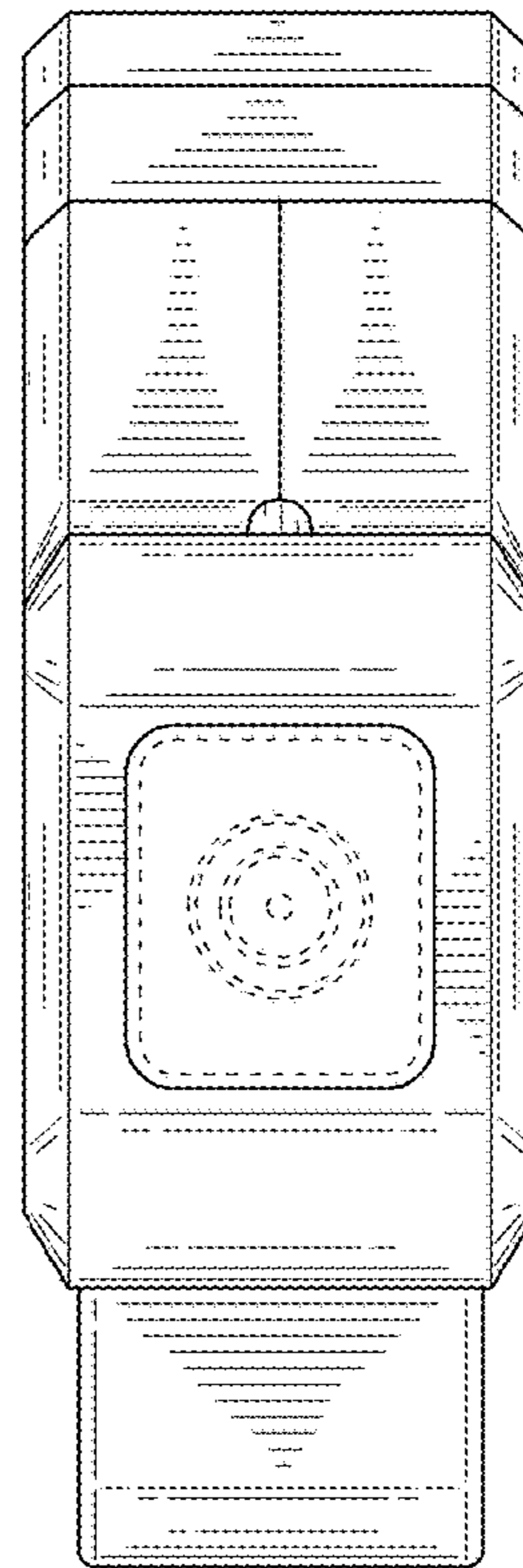


FIG. 7

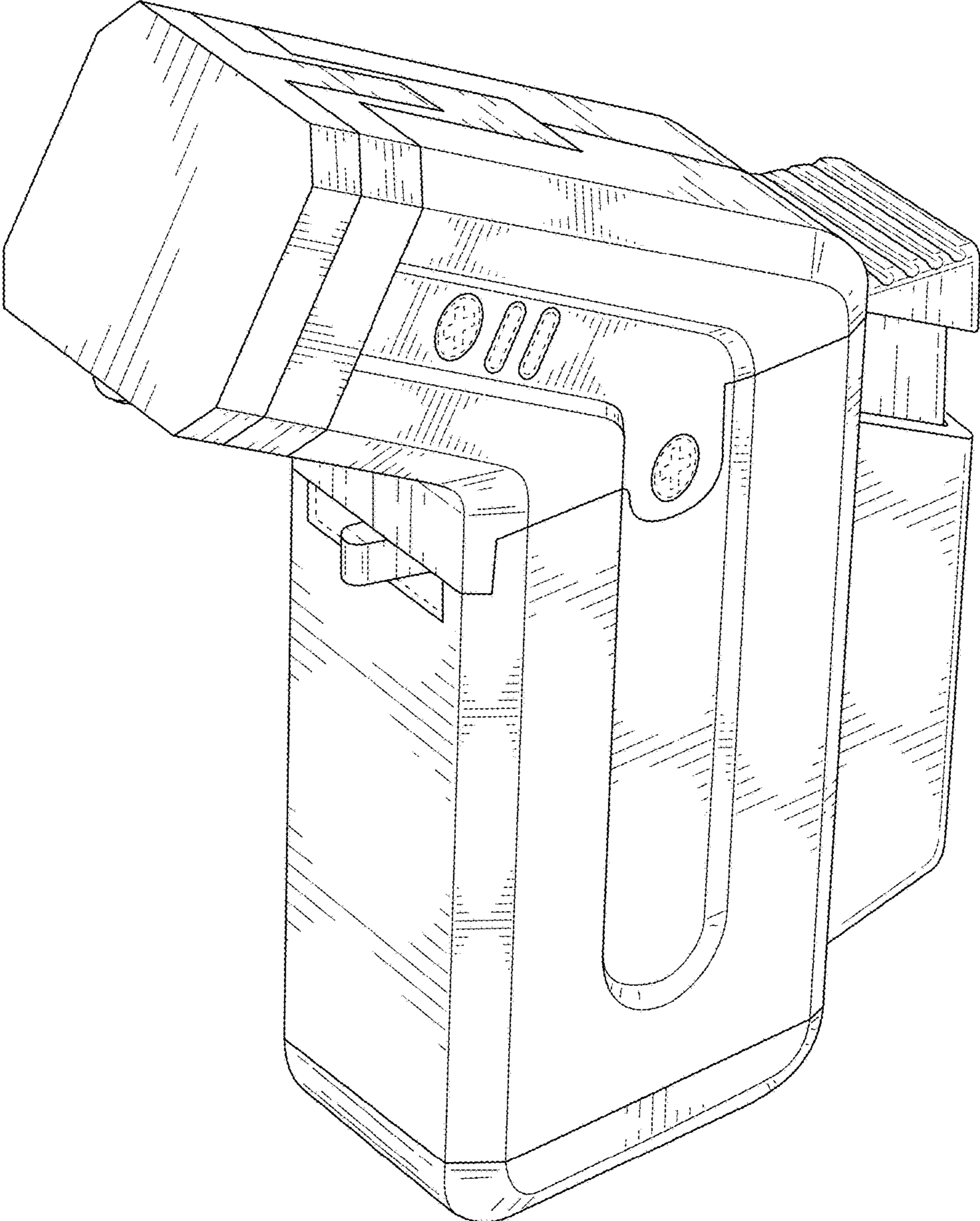


FIG. 8



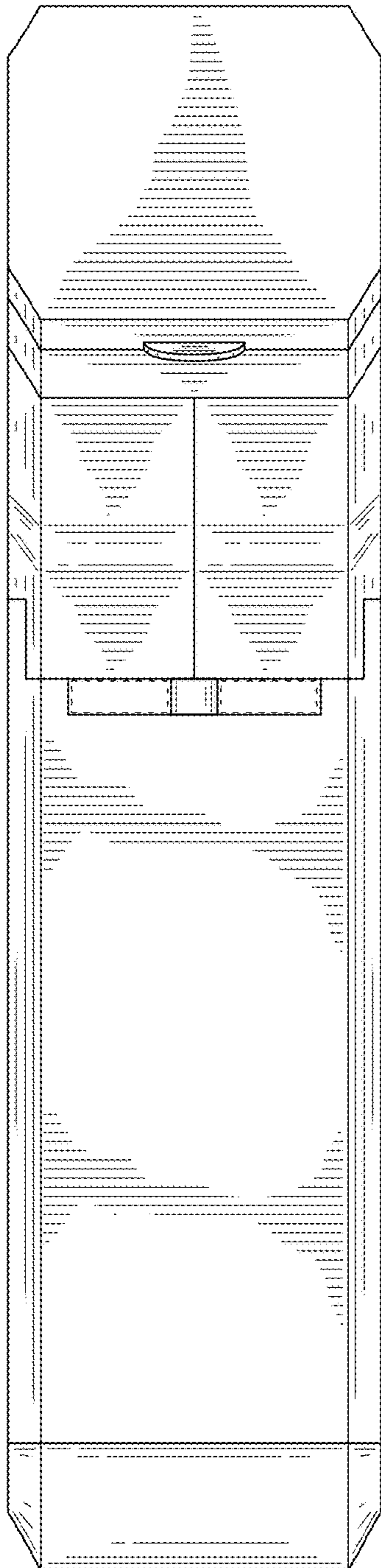


FIG. 9

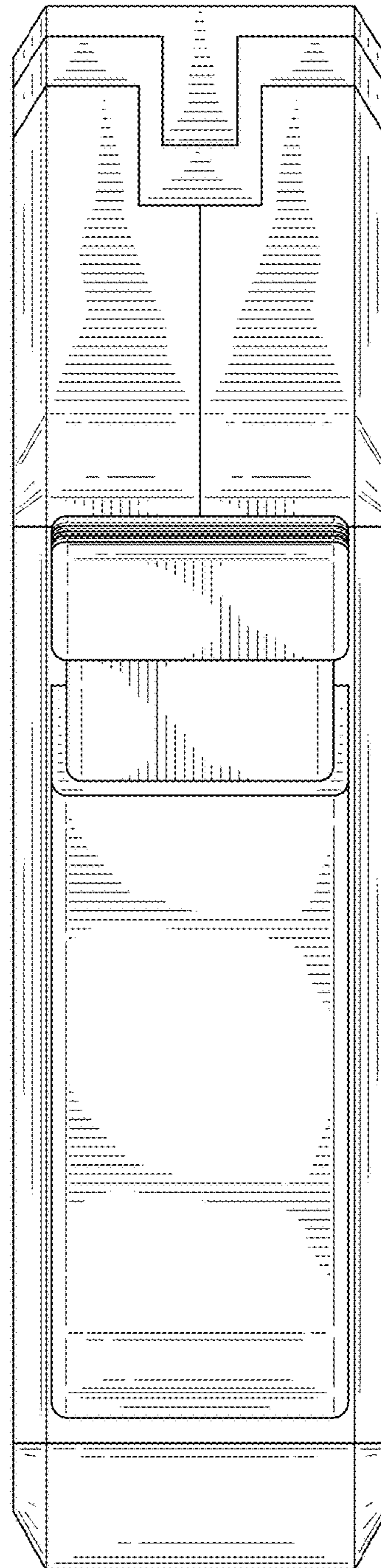


FIG. 10

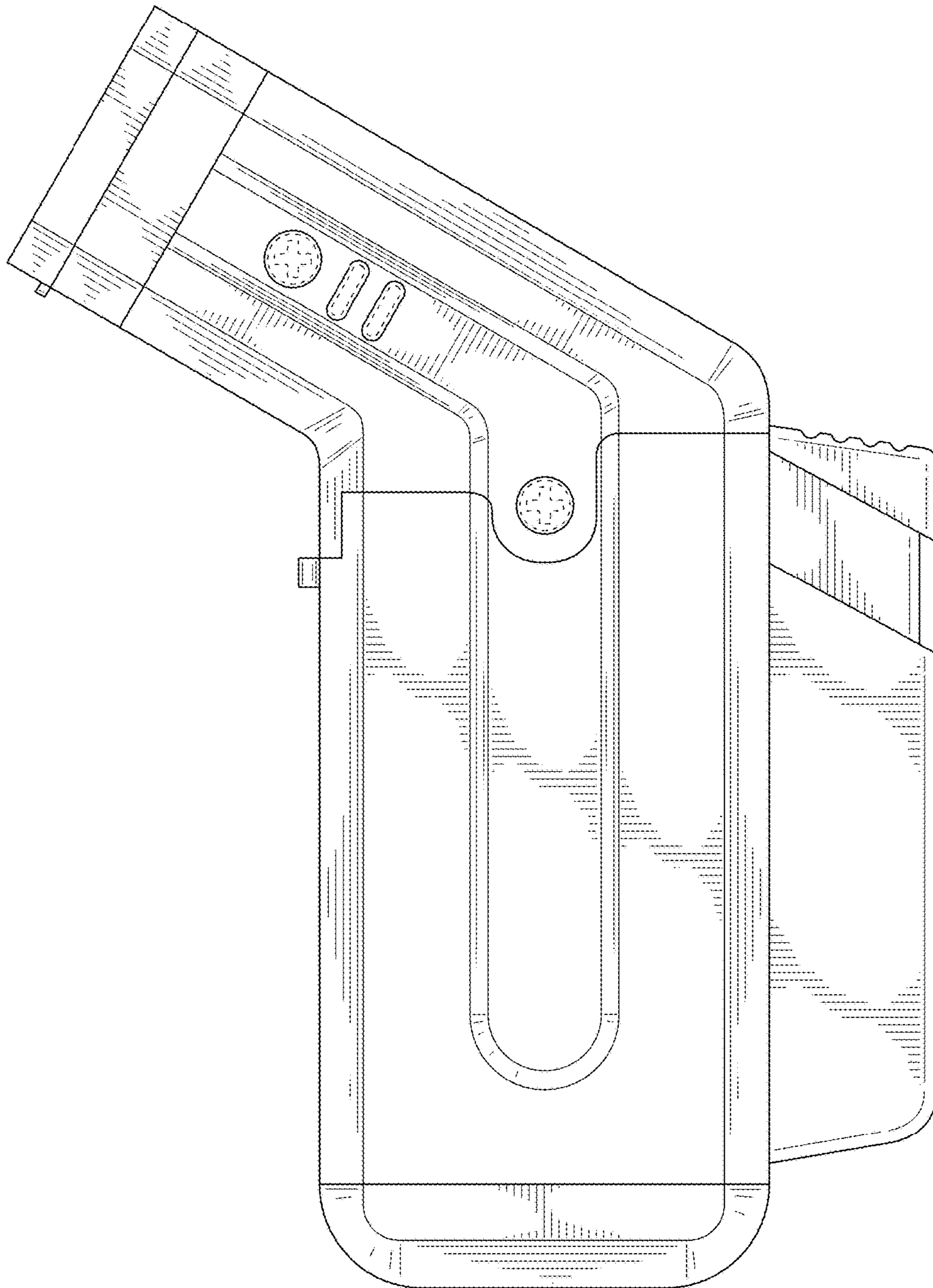


FIG. 11

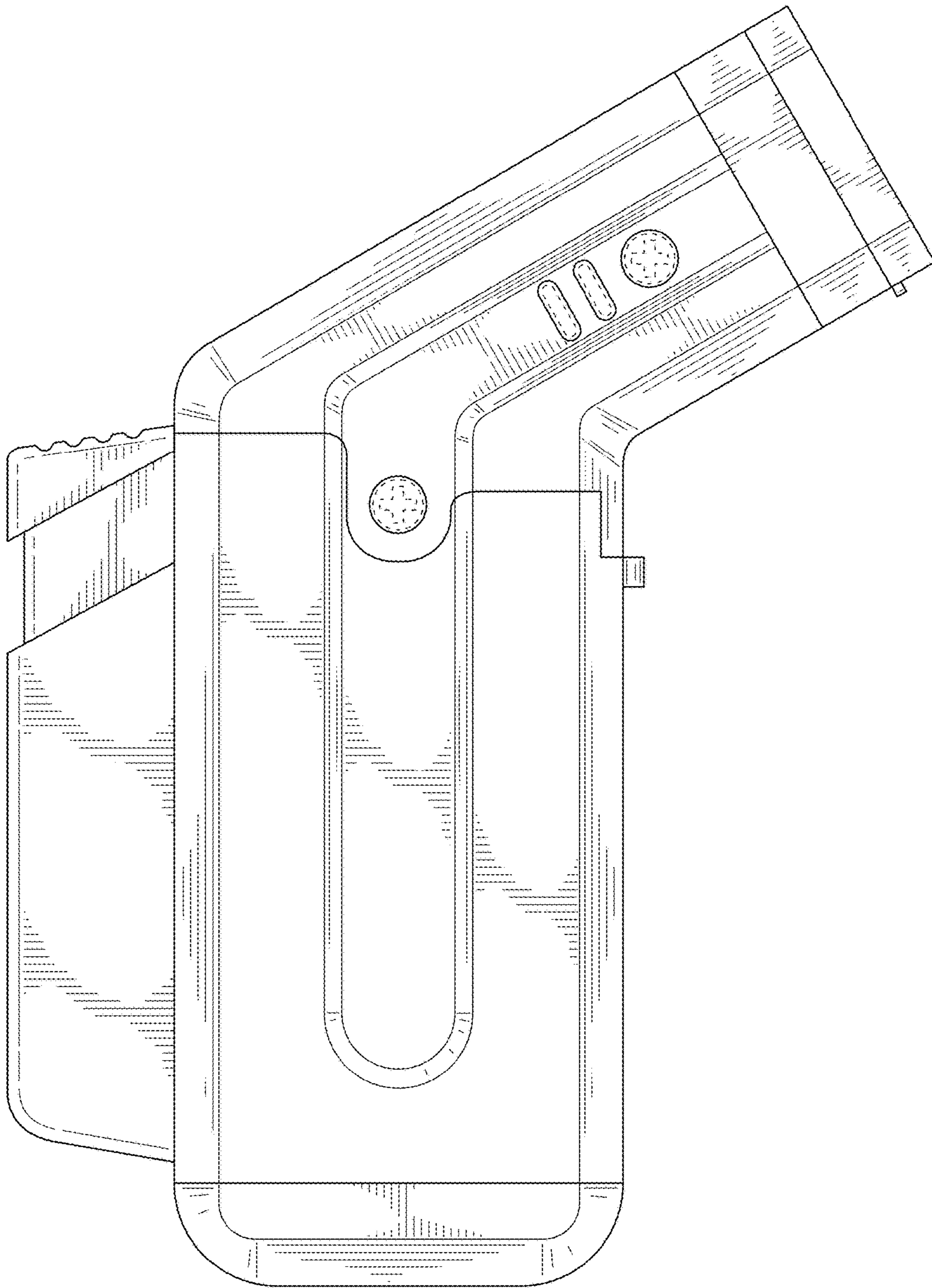


FIG. 12

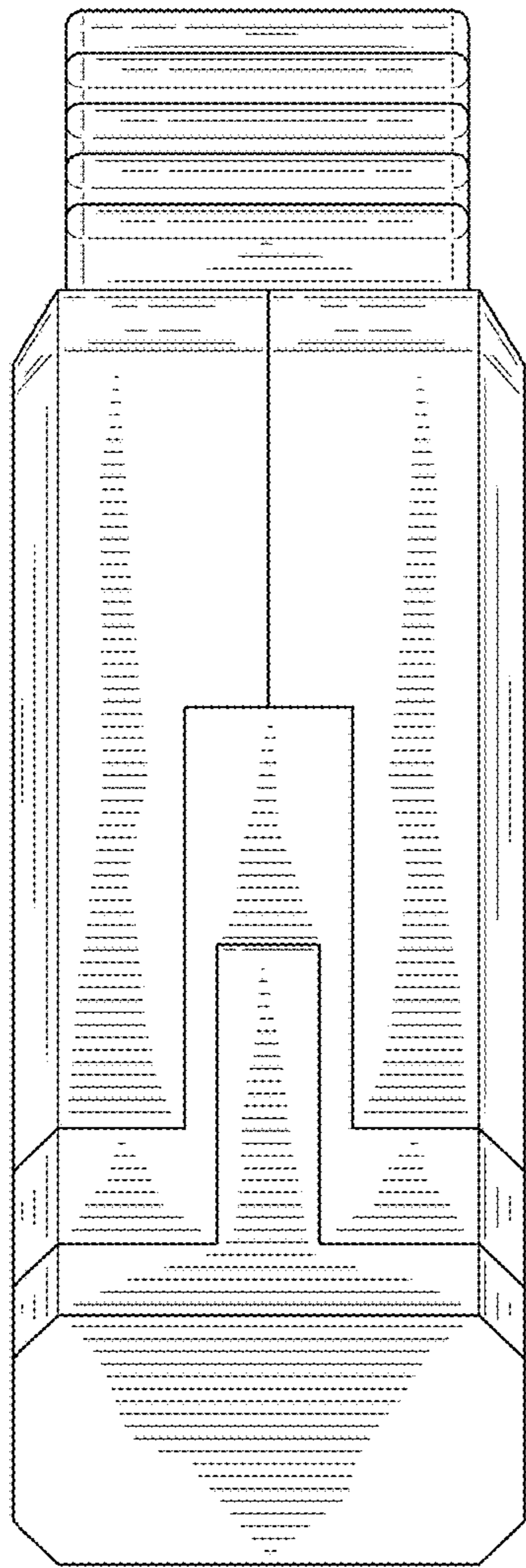


FIG. 13

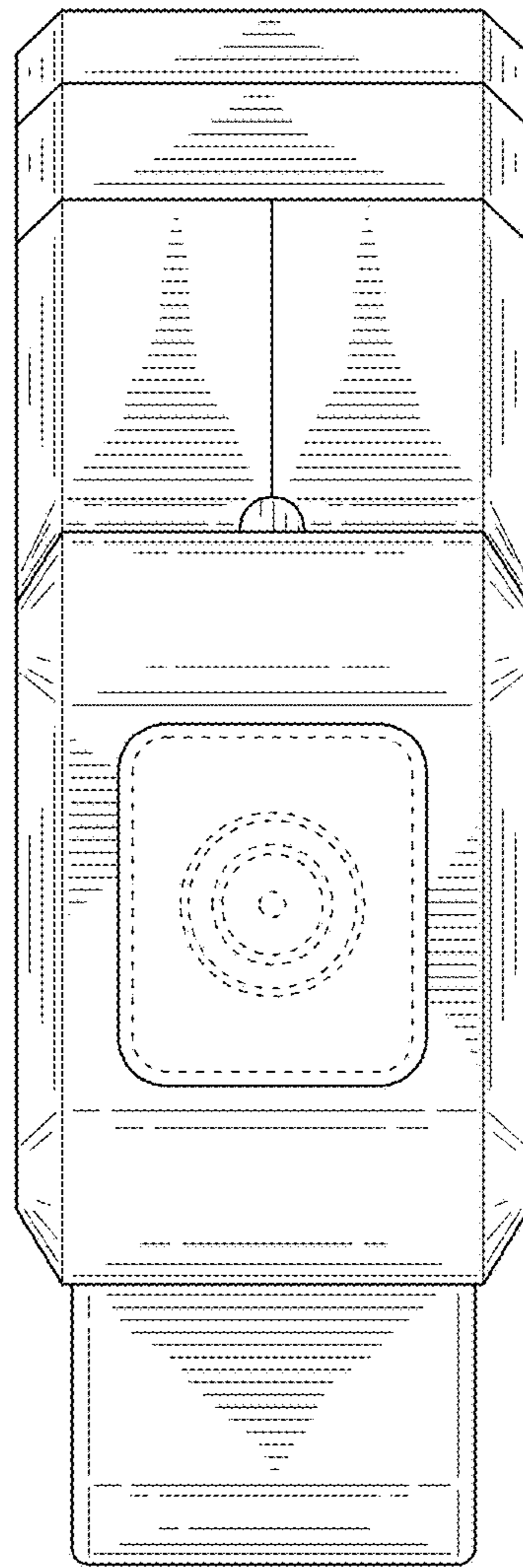


FIG. 14

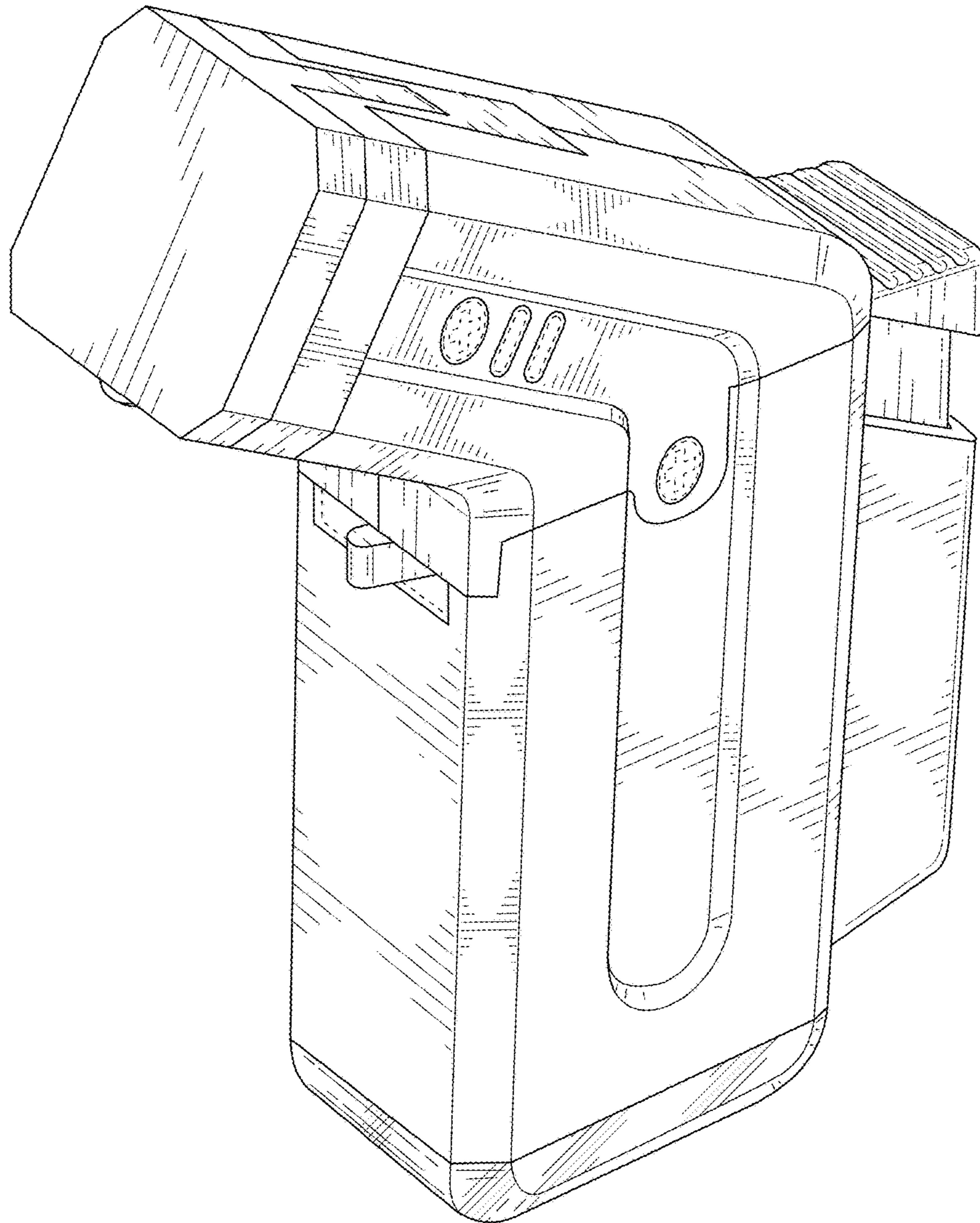


FIG. 15

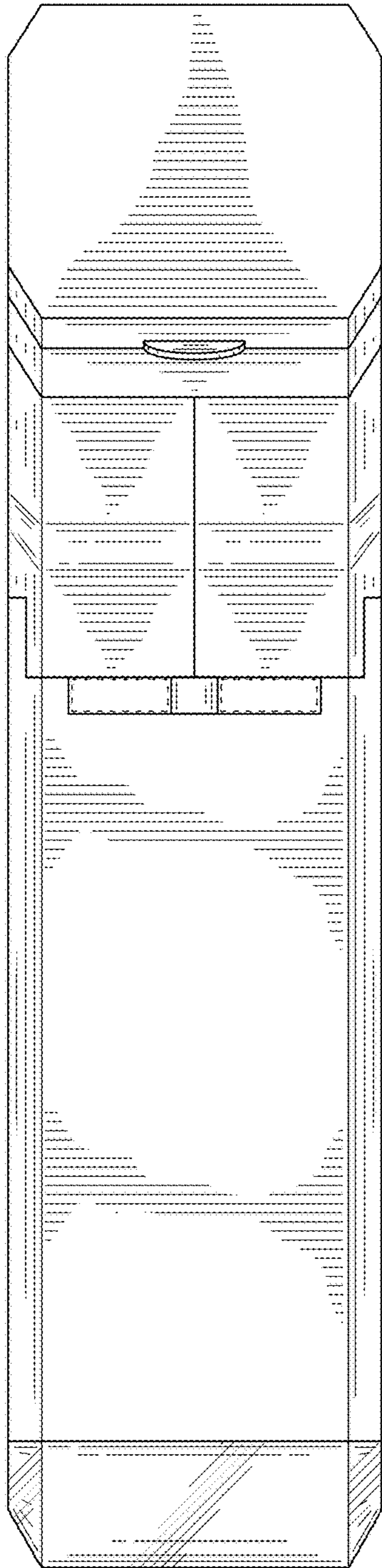


FIG. 16

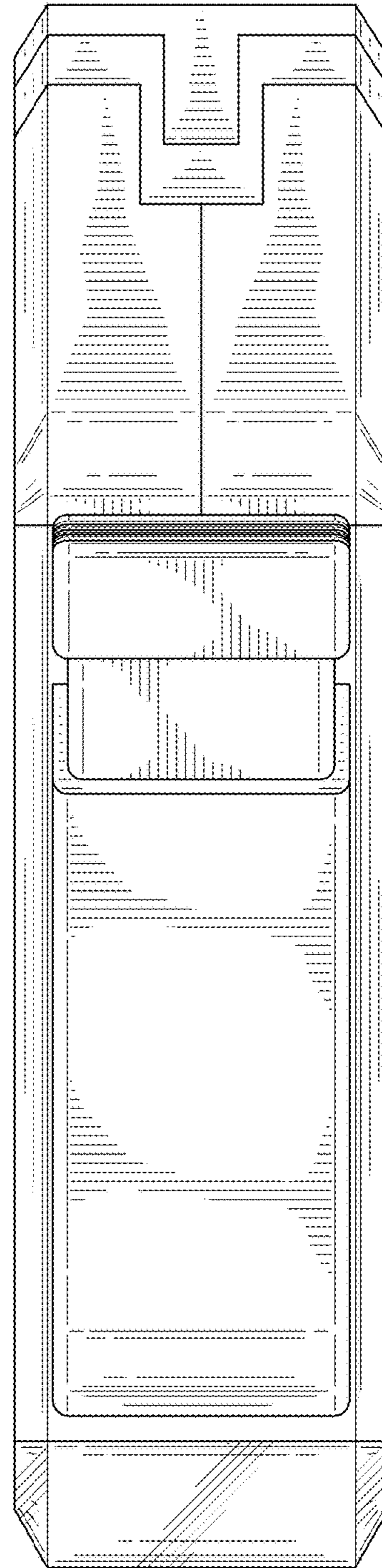


FIG. 17

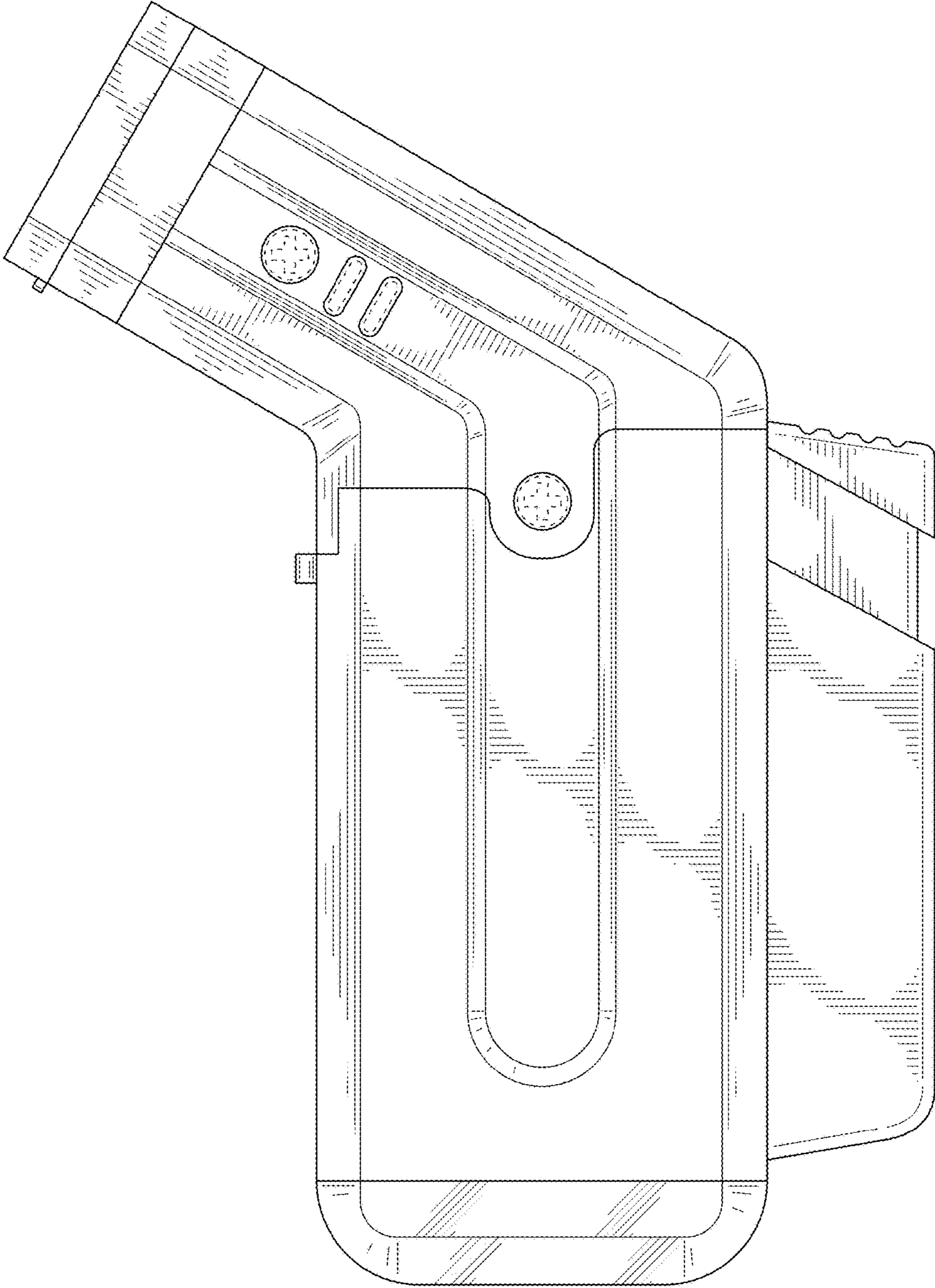


FIG. 18

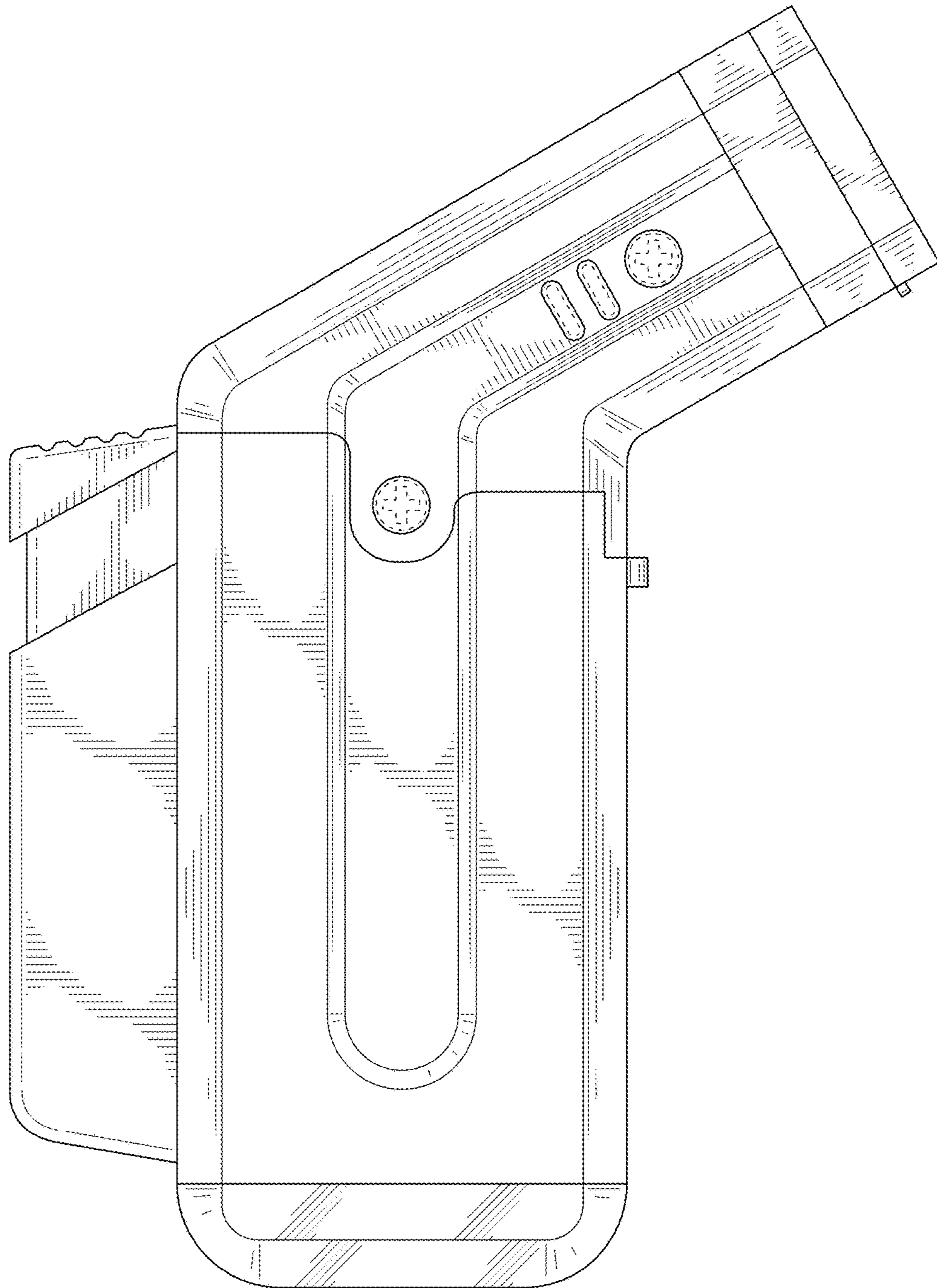


FIG. 19



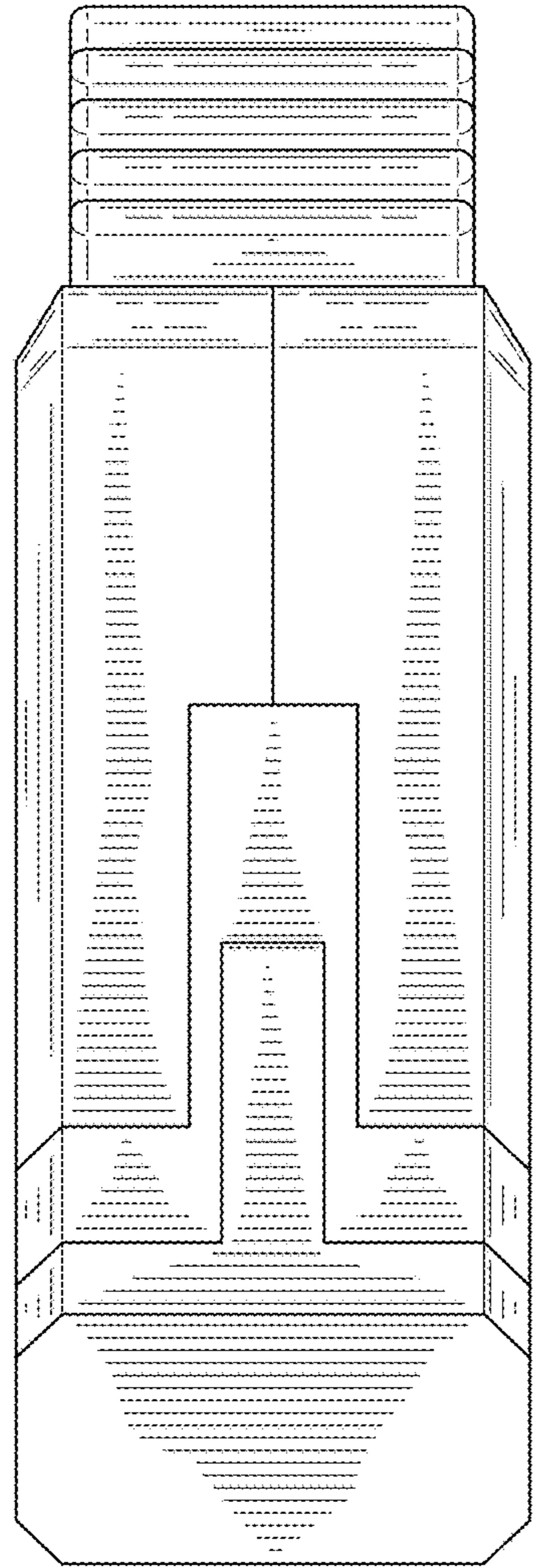


FIG. 20

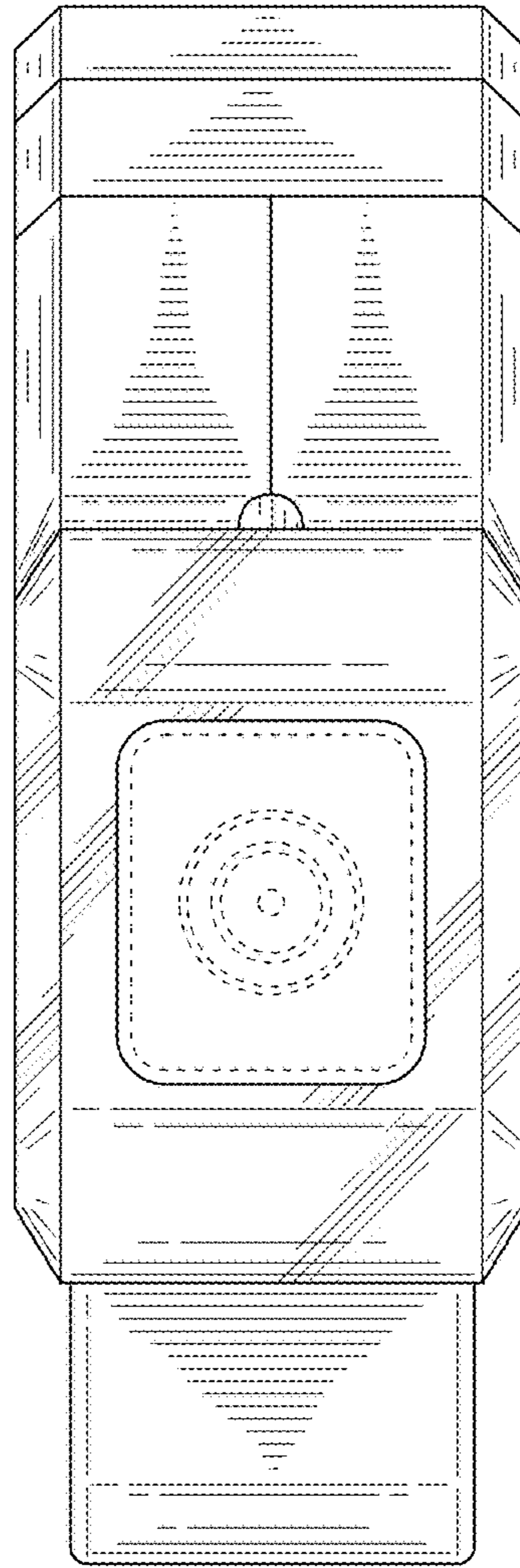


FIG. 21