



US00D868356S

(12) **United States Design Patent** (10) **Patent No.:** **US D868,356 S**
Sonneman (45) **Date of Patent:** **** Nov. 26, 2019**

(54) **HOUSING FOR A LIGHTING SYSTEM**

D829,962 S * 10/2018 Sonneman D26/118
D829,967 S * 10/2018 Sonneman D26/118
D830,620 S * 10/2018 Sonneman D26/118

(71) Applicant: **Contemporary Visions, LLC**,
Larchmont, NY (US)

* cited by examiner

(72) Inventor: **Robert A. Sonneman**, Mamaroneck,
NY (US)

Primary Examiner — Brian N. Vinson
(74) *Attorney, Agent, or Firm* — Gottlieb, Rackman &
Reisman, P.C.

(73) Assignee: **Contemporary Visions, LLC**,
Larchmont, NY (US)

(57) **CLAIM**

(**) Term: **15 Years**

The ornamental design for a housing for a lighting system,
as shown and described.

(21) Appl. No.: **29/672,385**

DESCRIPTION

(22) Filed: **Dec. 5, 2018**

(51) **LOC (12) Cl.** **26-99**

(52) **U.S. Cl.**
USPC **D26/138**

(58) **Field of Classification Search**
USPC D26/76, 80–85, 88, 90, 93, 110, 113,
D26/118, 120, 124, 128, 131, 138
CPC F21S 2/00; F21S 4/00; F21S 4/003; F21S
4/005; F21S 4/006; F21S 4/007; F21S
4/008; F21S 6/00; F21S 8/00; F21S
8/024; F21S 8/026; F21S 8/031; F21S
8/033; F21S 8/035–037; F21S 8/04; F21S
8/043; F21S 8/063

See application file for complete search history.

FIG. 1 is a perspective view of a first embodiment of a housing for a lighting system showing my new design; FIG. 2 is a front elevational view of FIG. 1; FIG. 3 is a rear elevational view of FIG. 1; FIG. 4 is a right side elevational view of FIG. 1; FIG. 5 is a left side elevational view of FIG. 1; FIG. 6 is a top plan view of FIG. 1; FIG. 7 is a bottom plan view of FIG. 1; FIG. 8 is a perspective view of a second embodiment of a housing for a lighting system showing my new design; FIG. 9 is a front elevational view of FIG. 8; FIG. 10 is a rear elevational view of FIG. 8; FIG. 11 is a right side elevational view of FIG. 8; FIG. 12 is a left side elevational view of FIG. 8; FIG. 13 is a top plan view of FIG. 8; and, FIG. 14 is a bottom plan view of FIG. 8.

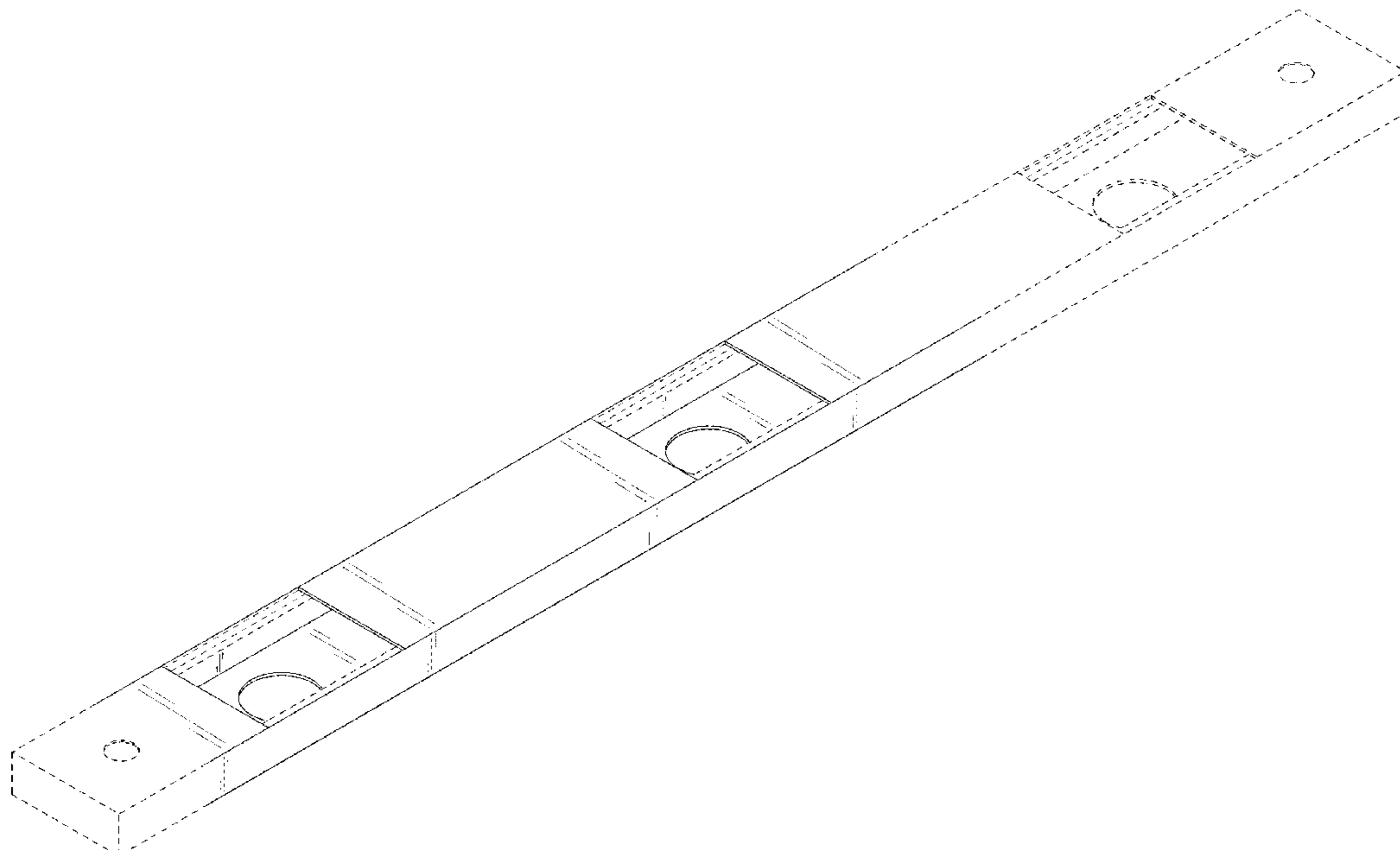
The broken lines shown in the drawings are included for the purpose of illustrating elements of the housing for a lighting system that are configured to house a light fixture, be suspended from a surface and that forms no part of the claimed design.

(56) **References Cited**

U.S. PATENT DOCUMENTS

D140,107 S * 1/1945 Lippincott D26/90
D567,985 S * 4/2008 Komar D26/90
D639,485 S * 6/2011 Wauters D26/83
D650,111 S * 12/2011 Herremans D26/90
D763,496 S * 8/2016 Tran D26/90

1 Claim, 10 Drawing Sheets



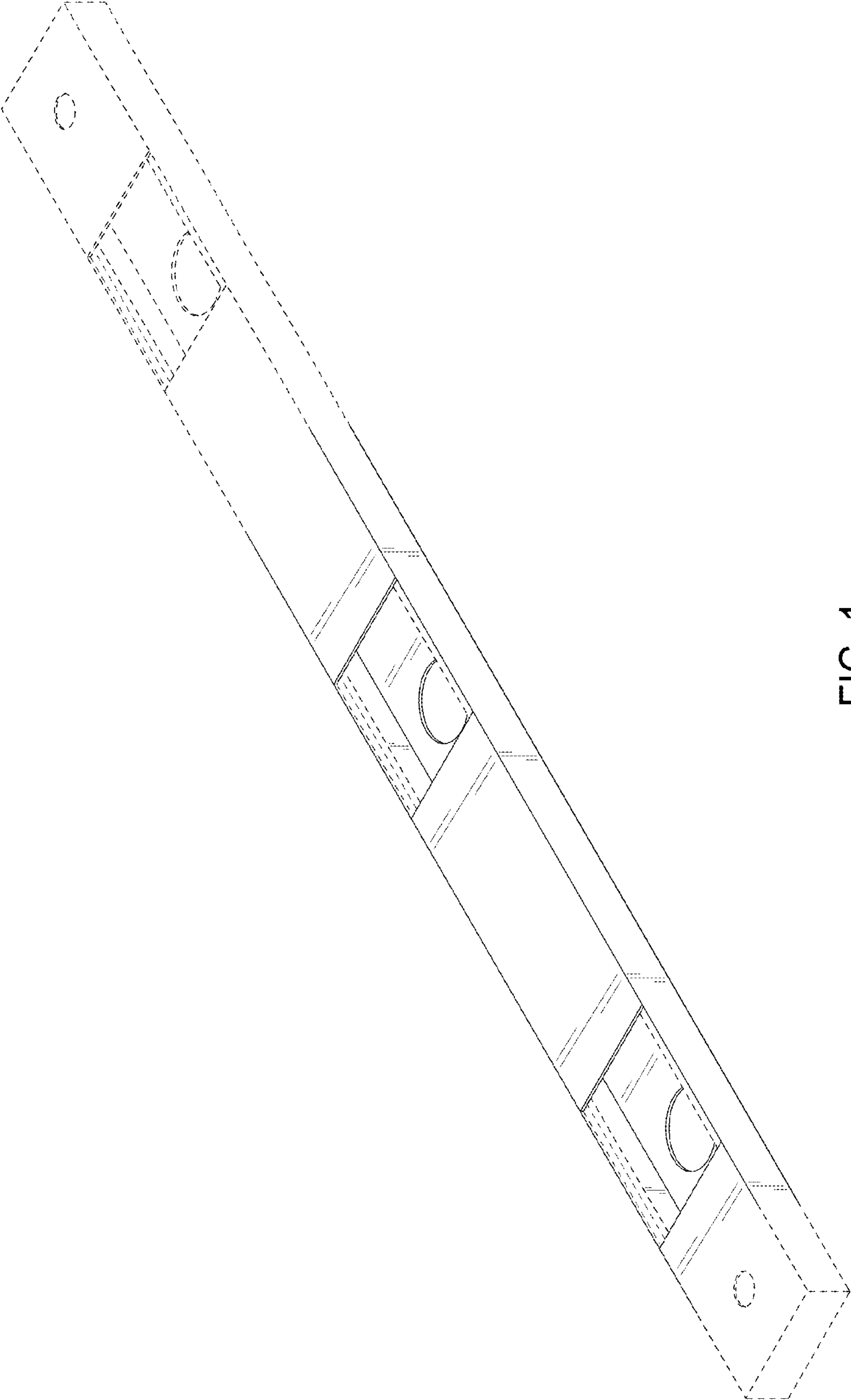


FIG. 1



FIG. 2



FIG. 3

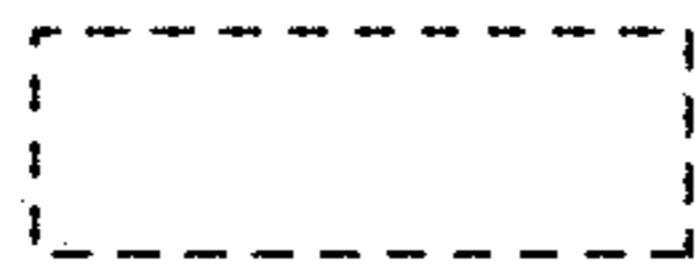


FIG. 4

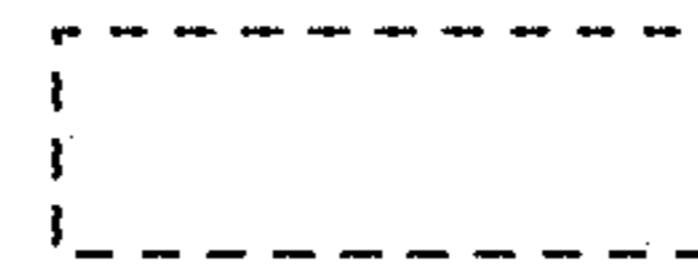


FIG. 5

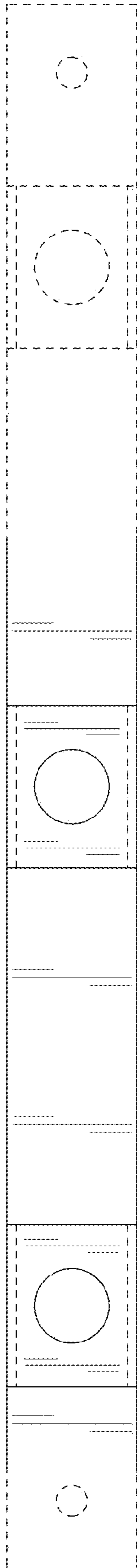


FIG. 6

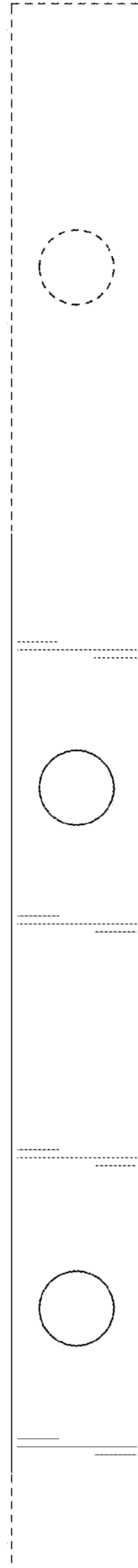


FIG. 7

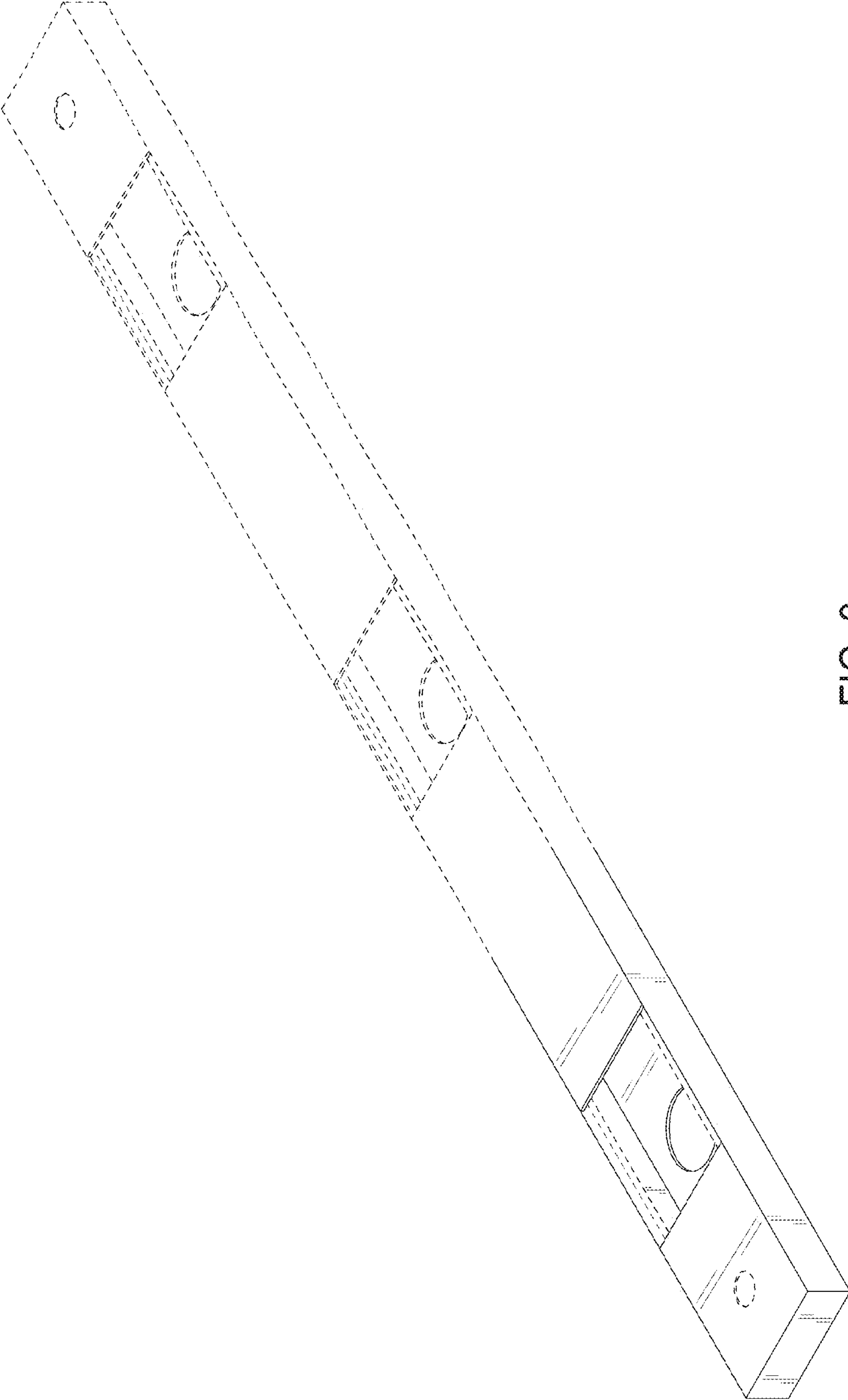


FIG. 8

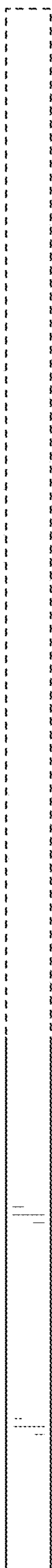


FIG. 9

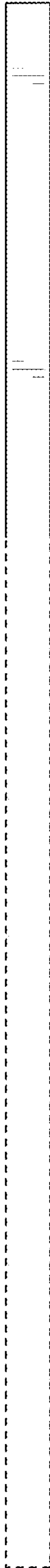


FIG. 10



FIG. 11

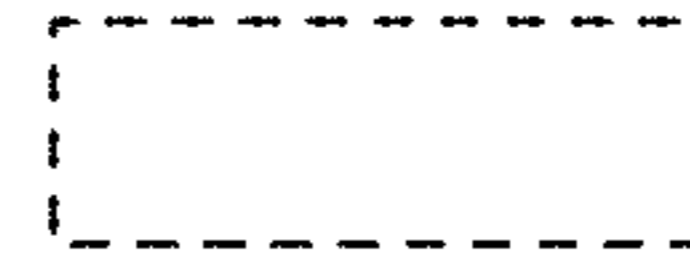


FIG. 12

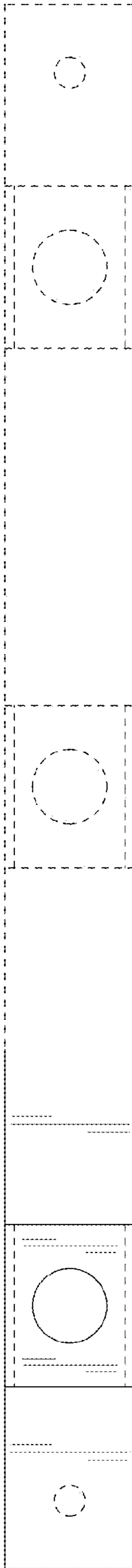


FIG. 13

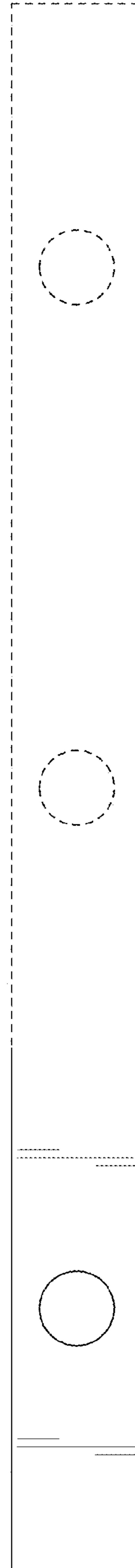


FIG. 14