



US00D868342S

(12) **United States Design Patent**
Coombes et al.

(10) **Patent No.:** **US D868,342 S**

(45) **Date of Patent:** **** Nov. 26, 2019**

(54) **LAMP**

(71) Applicant: **GIOPATO & COOMBES S.R.L.**,
Treviso (IT)

(72) Inventors: **Christopher Coombes**, Treviso (IT);
Cristiana Giopato, Treviso (IT)

(73) Assignee: **GIOPATO & COOMBES S.R.L.**,
Treviso (IT)

(**) Term: **15 Years**

(21) Appl. No.: **29/642,396**

(22) Filed: **Mar. 29, 2018**

(51) **LOC (12) Cl.** **26-03**

(52) **U.S. Cl.**
USPC **D26/90**; D26/81; D26/82

(58) **Field of Classification Search**
USPC D26/72, 80, 81, 82, 84, 85, 86, 88, 90,
D26/91, 118
CPC F21S 8/04; F21S 8/043; F21S 8/046; F21S
8/06; F21S 8/063; F21S 8/065; F21S
8/066; F21S 8/068
See application file for complete search history.

(56) **References Cited**

U.S. PATENT DOCUMENTS

D20,489 S	1/1891	Beesley et al.	
D24,737 S *	10/1895	Ferguson	D26/114
D30,725 S	5/1899	Homan	
D38,253 S *	9/1906	Chisolm	D26/88
D38,638 S *	6/1907	Weyer	D26/88
D76,194 S *	8/1928	Knorr	D26/84
D90,017 S *	5/1933	Bush	D26/84
D122,864 S *	10/1940	Dreyfuss	362/219
D125,317 S *	2/1941	Sabatini	D26/88
D148,251 S *	12/1947	Pretzer et al.	D26/78
D162,278 S *	3/1951	Ainsworth	D26/78
D220,206 S *	3/1971	Hamburger	D26/75
D304,768 S *	11/1989	Dicola	D26/84

D342,338 S *	12/1993	Thun	D26/63
D373,002 S *	8/1996	Porter	D26/144
D436,210 S *	1/2001	Miranda	D26/81
D635,711 S *	4/2011	Scutella'	F21S 8/06 D26/88
D697,251 S *	1/2014	Baylar	D26/88
D697,252 S *	1/2014	Baylar	D26/88
D705,475 S *	5/2014	Kitts	D26/81
D713,090 S *	9/2014	Kim	D26/90
D728,141 S *	4/2015	Nicholas	D26/81
D728,145 S *	4/2015	Shiqiang	D26/88
D759,875 S *	6/2016	Giopato et al.	
D779,102 S *	2/2017	Garraton	D26/81
D799,098 S	10/2017	Hendifar et al.	
D802,821 S *	11/2017	Hendifar	D26/86
D803,458 S *	11/2017	Hendifar	D26/86

(Continued)

OTHER PUBLICATIONS

CIRQUE Pendant and Ceiling Lights. From archetypal.hk visited Apr. 11, 2019 (Year: 2019).*

(Continued)

Primary Examiner — Clare E Heflin

(74) *Attorney, Agent, or Firm* — Cantor Colburn LLP

(57)

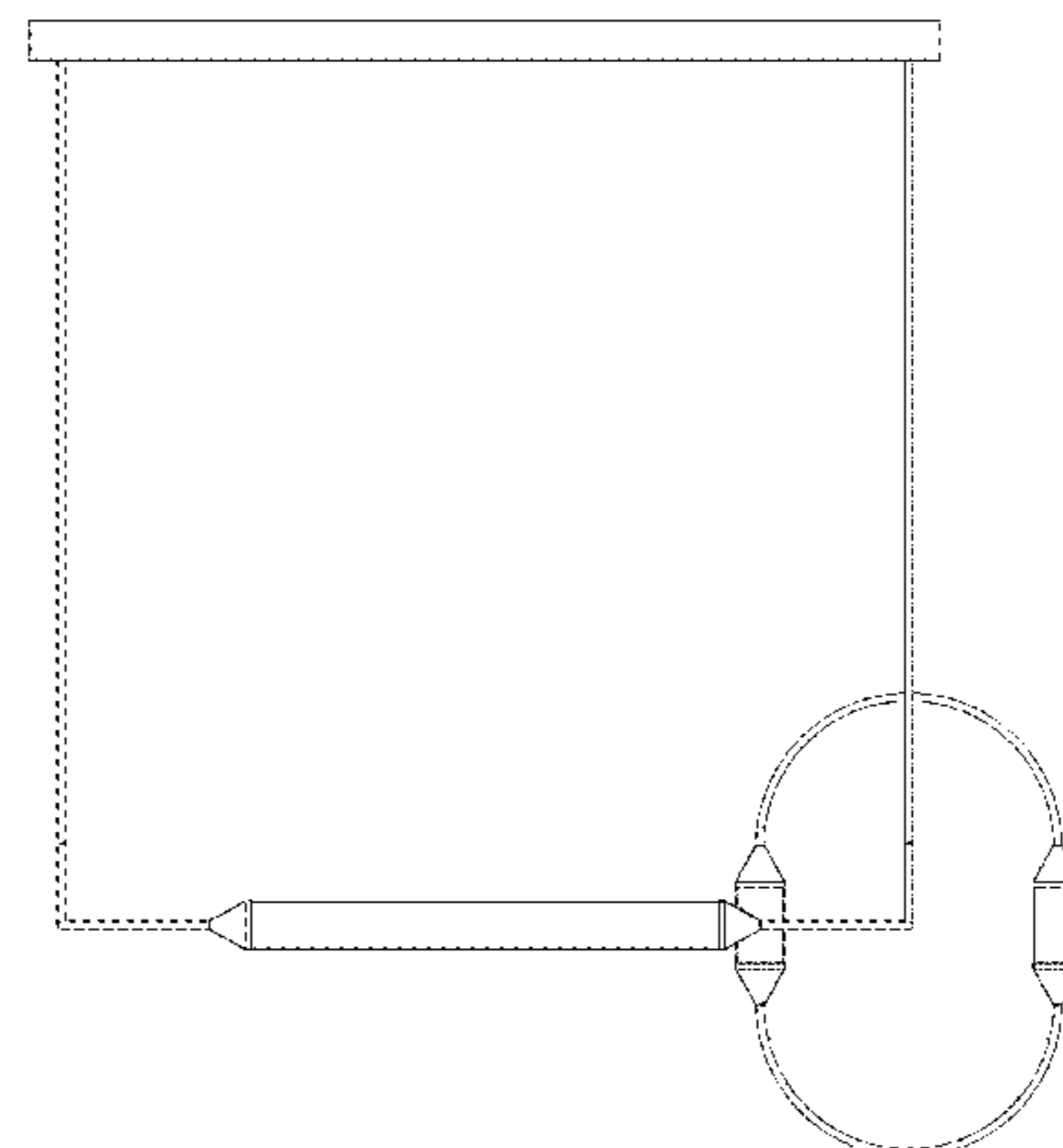
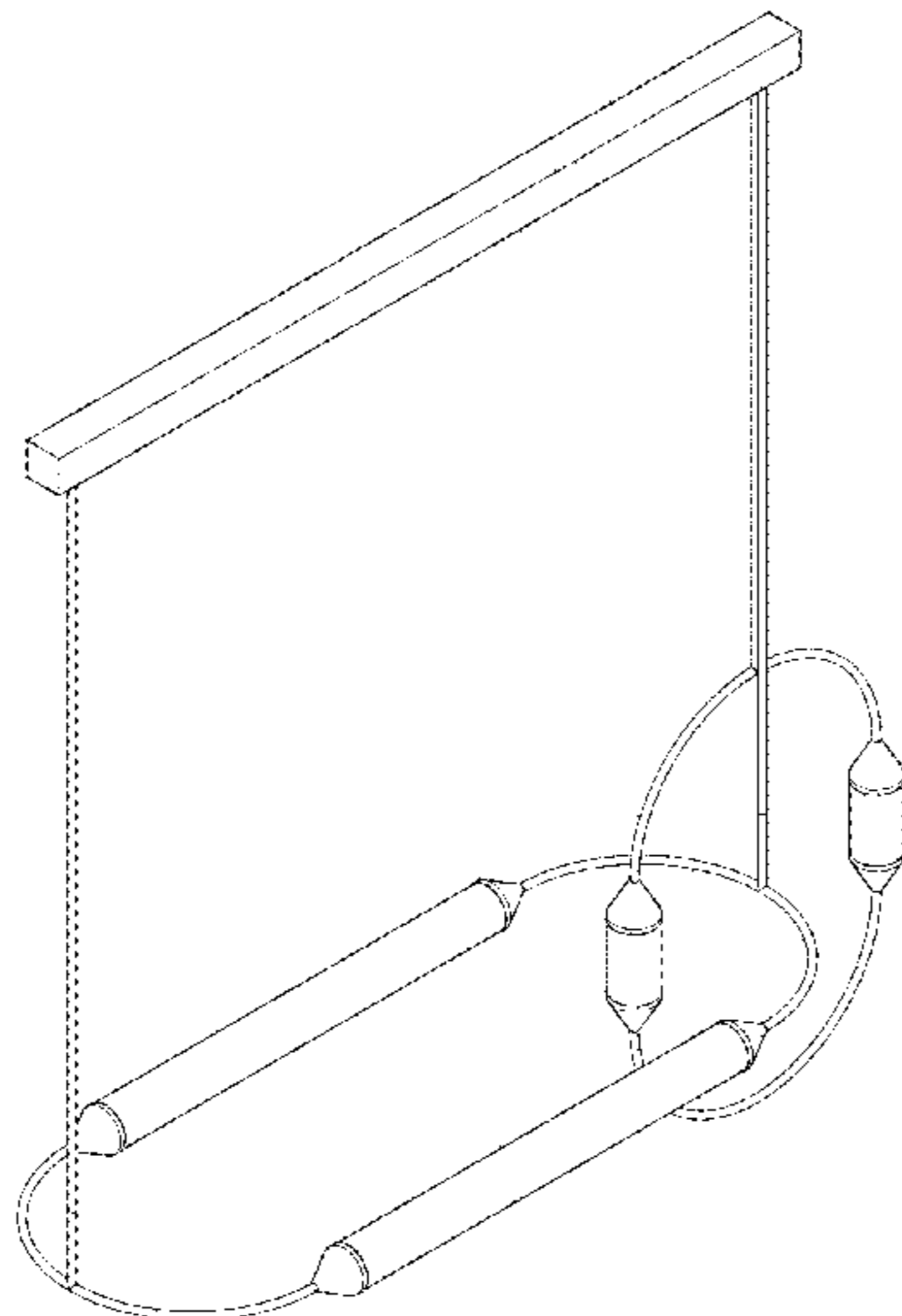
CLAIM

We claim, the ornamental design for a lamp, as shown and described.

DESCRIPTION

FIG. 1 is a perspective view of a lamp, showing my new design;
FIG. 2 is a front elevation view thereof;
FIG. 3 is a rear elevation view thereof;
FIG. 4 is a left side elevation view thereof;
FIG. 5 is a right side elevation view thereof;
FIG. 6 is a top plan view thereof; and,
FIG. 7 is a bottom plan view thereof.

1 Claim, 6 Drawing Sheets



(56)

References Cited

U.S. PATENT DOCUMENTS

D805,238 S * 12/2017 Amato D26/88
D827,187 S * 8/2018 Silver D26/90
D827,908 S * 9/2018 Silver D26/90
D837,435 S 1/2019 Richardson et al.
2006/0098444 A1* 5/2006 Petruzzi F21S 8/06
362/404
2012/0241579 A1* 9/2012 Karlsson F21V 21/096
248/343

OTHER PUBLICATIONS

Niamh Barry Patera Light Sculpture and Foulette Wall Sculpture,
Both From Niamhbarry.com Visited Sep. 6, 2019. (Year:2019).
Niamh Barry Pendant Lamp "Black Poise" From Archiexpo.com
Visited Sep. 6, 2019. (Year:2019).

* cited by examiner

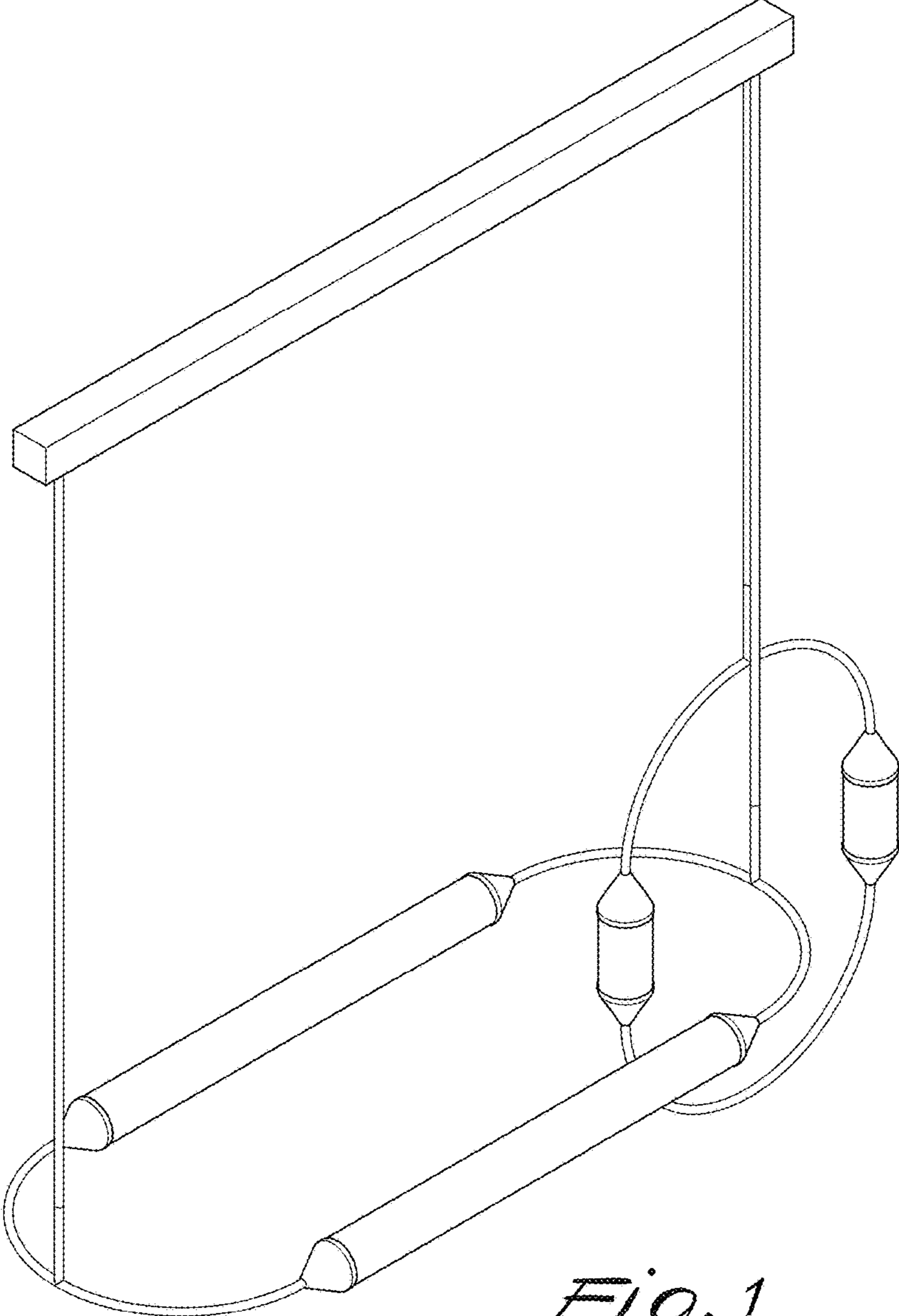


Fig. 1

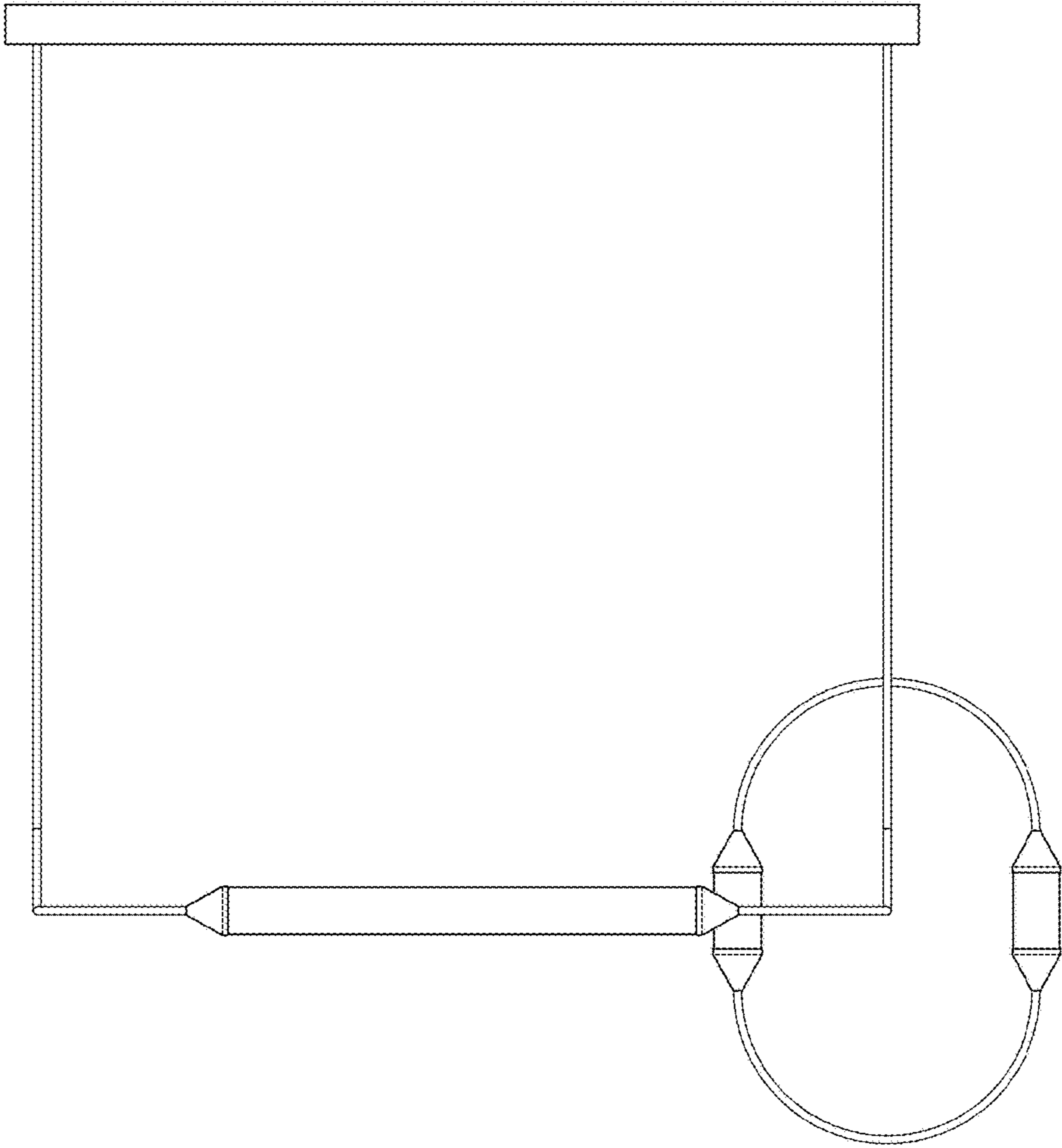


Fig. 2

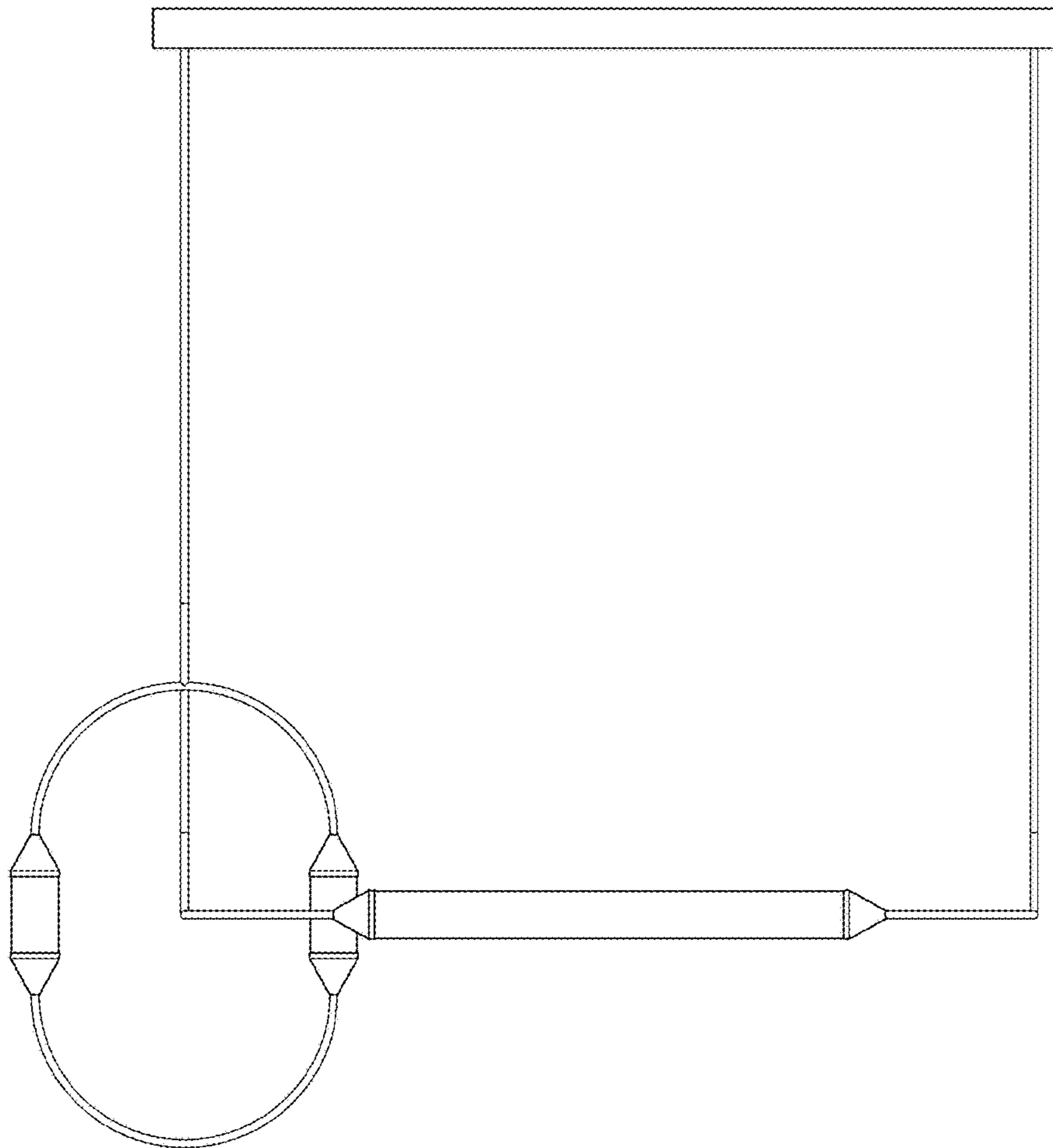


Fig. 3

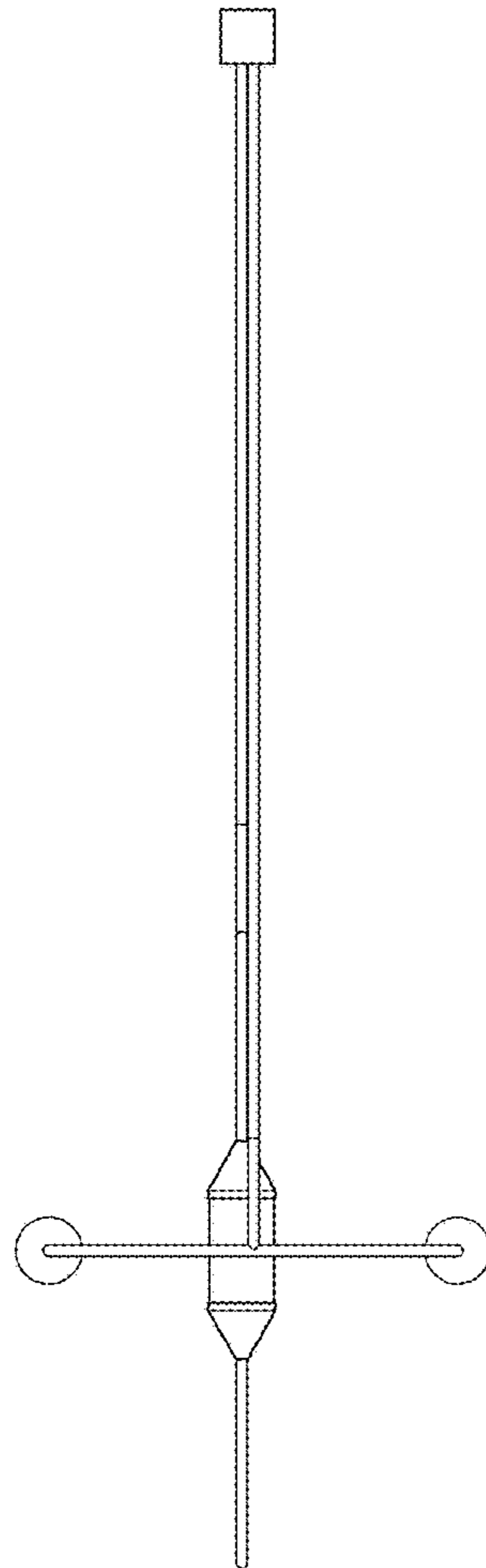


Fig. 4

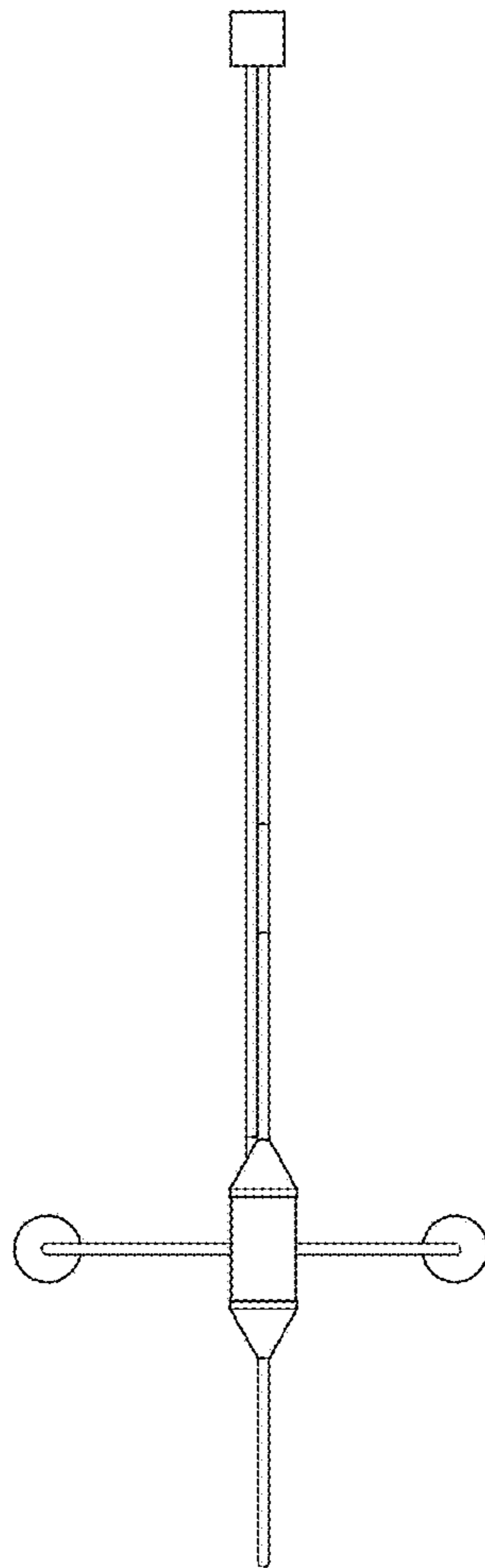


Fig. 5

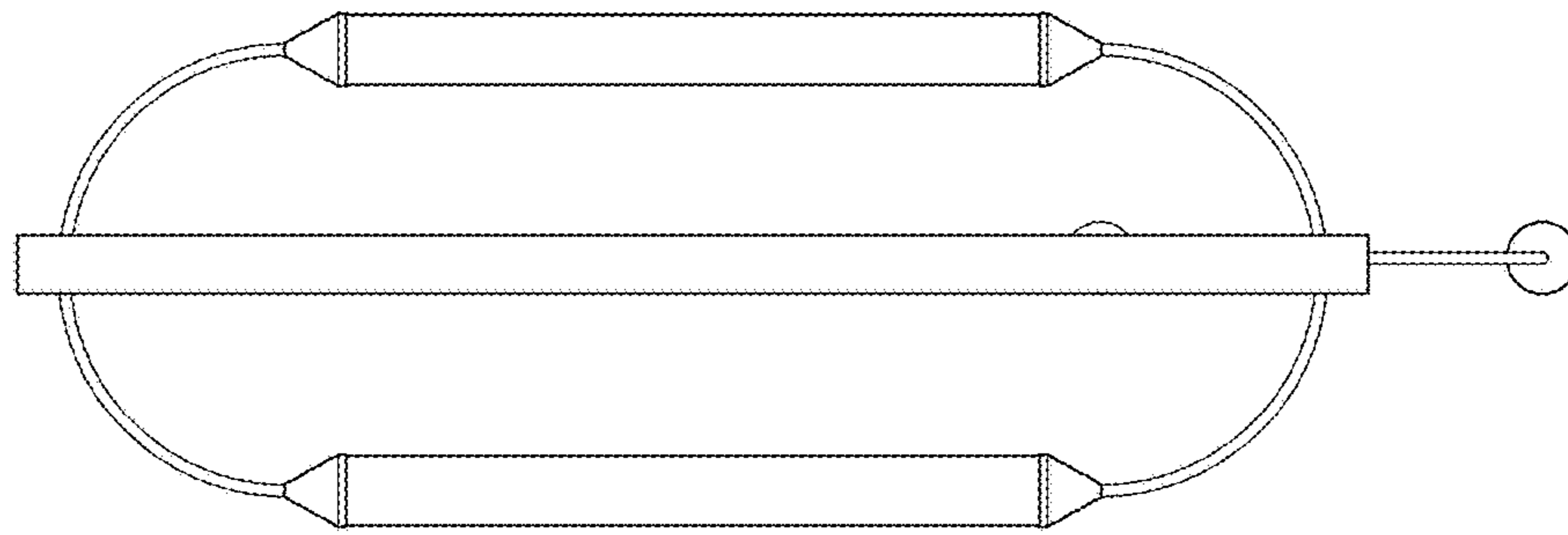


Fig. 6

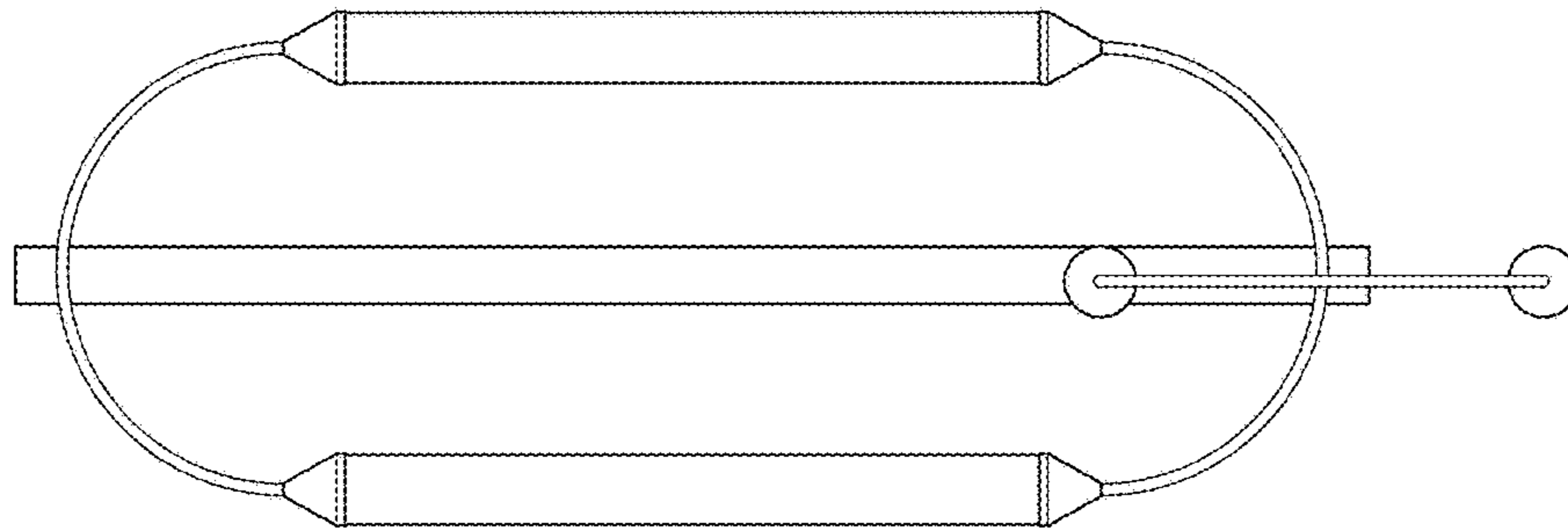


Fig. 7