



US00D868339S

(12) **United States Design Patent**  
**Recker et al.**

(10) **Patent No.:** **US D868,339 S**

(45) **Date of Patent:** **\*\* Nov. 26, 2019**

(54) **STEP LIGHT**

(71) Applicant: **Amazon Technologies, Inc.**, Seattle, WA (US)

(72) Inventors: **Michael V. Recker**, Santa Monica, CA (US); **David Brett Levine**, Pepper Pike, OH (US); **Ryan David Hruska**, North Royalton, OH (US)

(73) Assignee: **Amazon Technologies, Inc.**, Seattle, WA (US)

(\*\*) Term: **15 Years**

(21) Appl. No.: **29/659,129**

(22) Filed: **Aug. 6, 2018**

**Related U.S. Application Data**

(63) Continuation of application No. 29/611,134, filed on Jul. 19, 2017, now Pat. No. Des. 830,607.

(51) **LOC (12) Cl.** ..... **26-03**

(52) **U.S. Cl.**  
USPC ..... **D26/85**

(58) **Field of Classification Search**  
USPC ..... D26/72, 85; D10/106.6, 106.8  
CPC .... F21S 8/03; F21S 8/033; F21S 8/036; F21S 8/037; F21S 9/022; F21S 9/024; F21S 9/03; F21S 9/037; F21V 33/0076; F21W 2121/004; F21W 2131/107  
See application file for complete search history.

(56) **References Cited**

**U.S. PATENT DOCUMENTS**

D211,820 S	7/1968	Pettengill
D339,079 S	9/1993	Behlke
D516,445 S	3/2006	DiPasquale
D564,688 S	3/2008	Korpi
D594,364 S	6/2009	Decker
D603,997 S	11/2009	Shiu

D684,718 S	6/2013	Ko
8,979,353 B2	3/2015	Wilson et al.
D728,144 S	4/2015	Recker et al.
D769,757 S	10/2016	Savage, Jr. et al.
9,618,193 B1	4/2017	Lord
9,797,581 B2	10/2017	Tang et al.
D829,359 S *	9/2018	Zhang ..... D26/85

(Continued)

**FOREIGN PATENT DOCUMENTS**

TW	D147094	5/2012
TW	D159376	3/2014
TW	D171335	10/2015

**OTHER PUBLICATIONS**

Korean Office Action dated Sep. 14, 2018 for Korean design application No. 30-2018-0003429, a counterpart foreign application of US design No. D830,607, 4 pages.

(Continued)

*Primary Examiner* — Clare E Heflin

(74) *Attorney, Agent, or Firm* — Lee & Hayes, P.C.

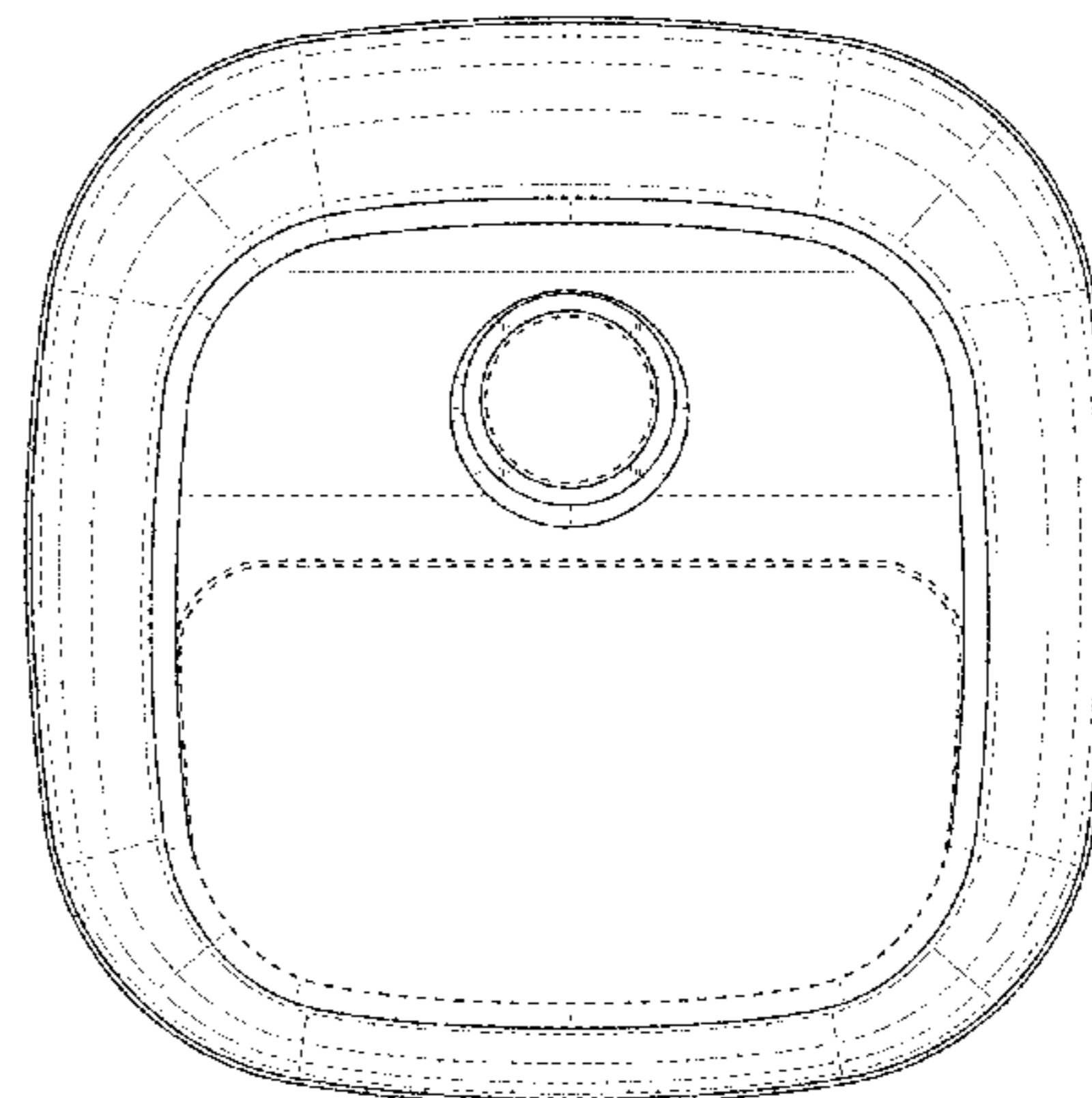
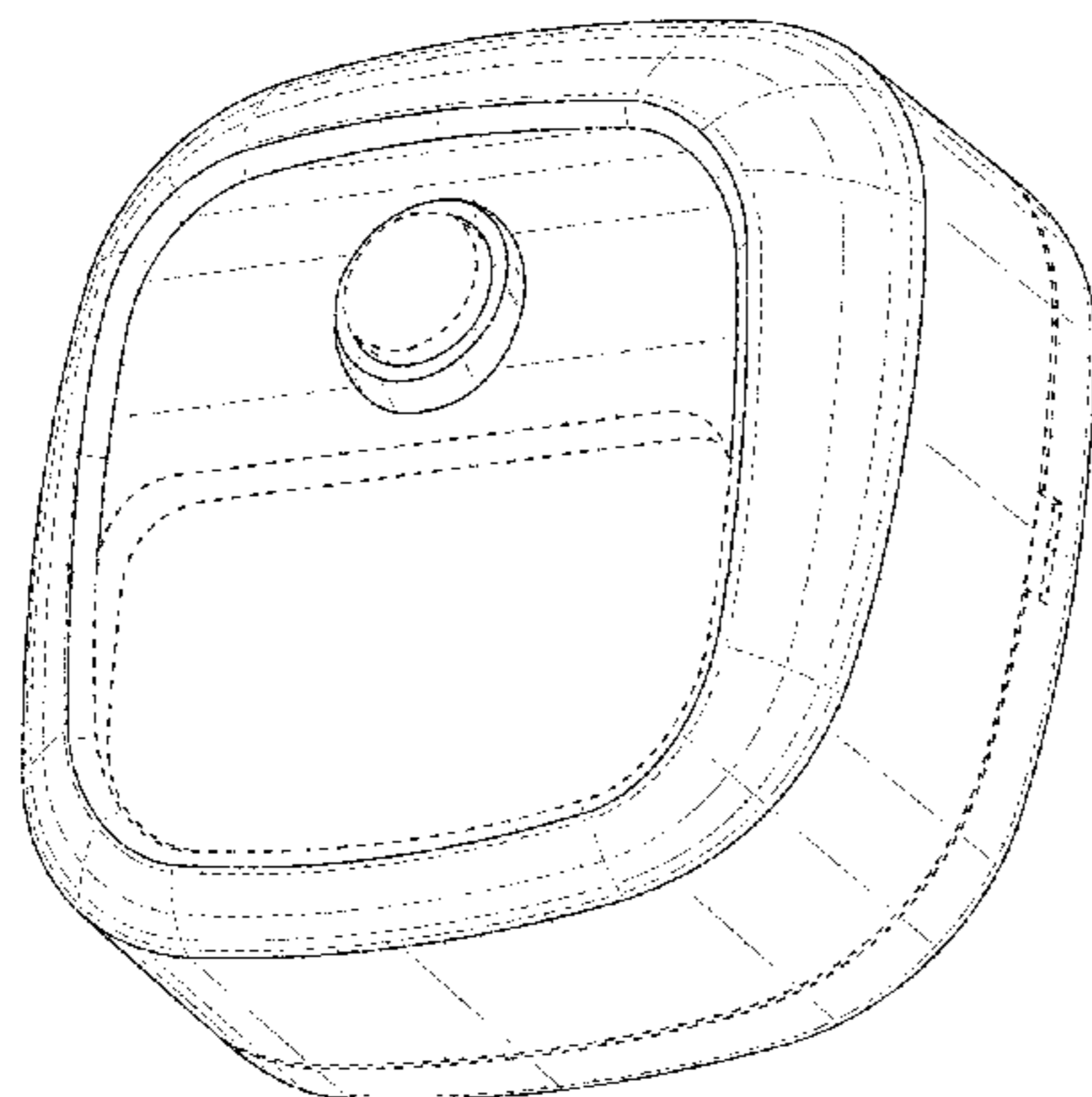
(57) **CLAIM**

The ornamental design for a step light, as shown and described.

**DESCRIPTION**

FIG. 1 is a front, right, bottom perspective view of a step light;  
FIG. 2 is a back, left, top perspective view thereof;  
FIG. 3 is a front elevation view thereof;  
FIG. 4 is a back elevation view thereof;  
FIG. 5 is a left side view thereof;  
FIG. 6 is a right side view thereof;  
FIG. 7 is a top plan view thereof; and,  
FIG. 8 is a bottom plan view thereof.  
The dashed broken lines depict portions of the step light that form no part of the claimed design.

**1 Claim, 8 Drawing Sheets**



(56)

**References Cited**

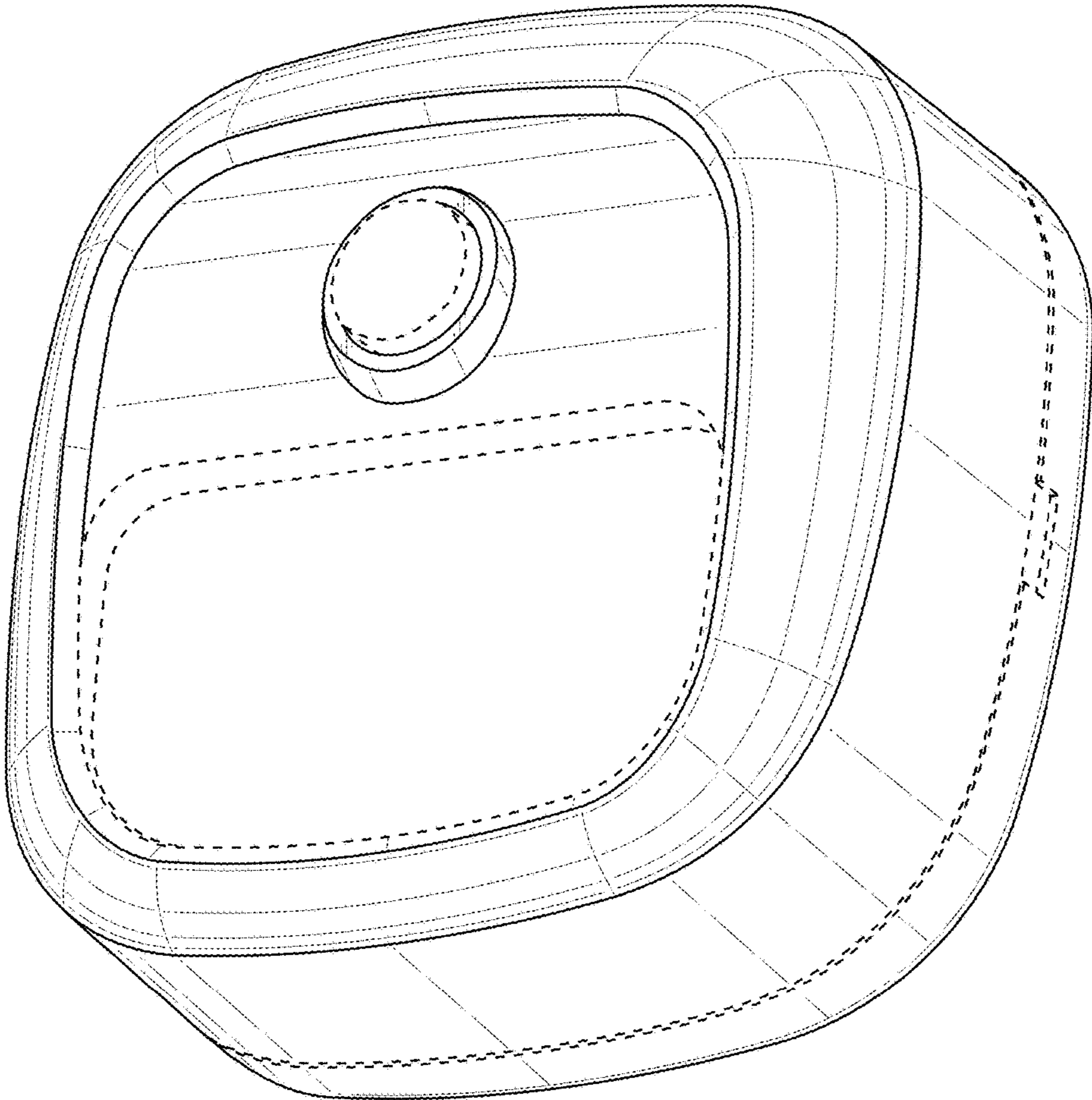
U.S. PATENT DOCUMENTS

D830,607 S \* 10/2018 Recker ..... D26/85  
D835,323 S \* 12/2018 Fogg ..... D26/85

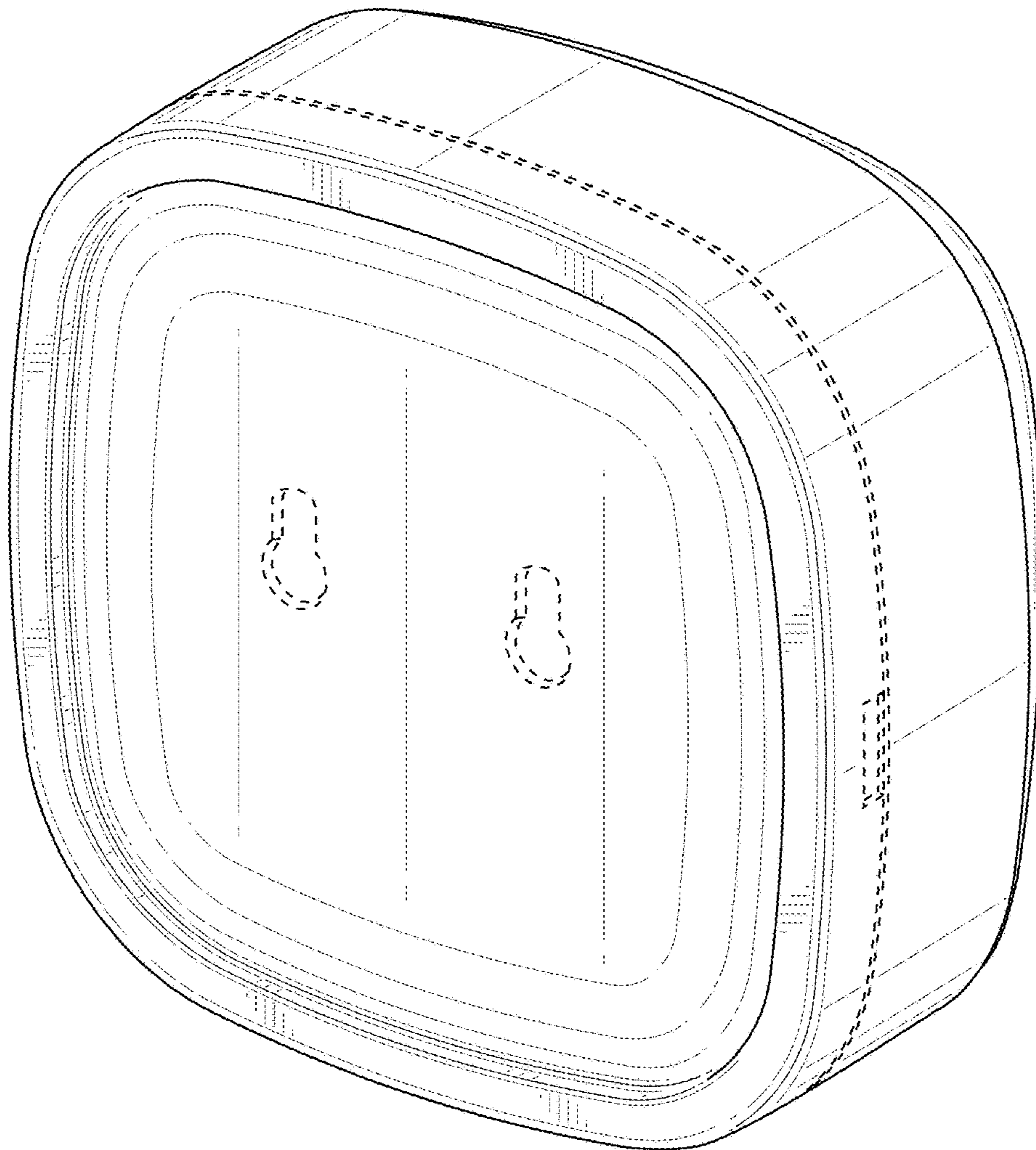
OTHER PUBLICATIONS

Intelligent Body Motion Sensor Night Light No. 229875401 at GearBest.com as early as Jan. 8, 2018. (Year: 2018) 3 pages.  
Mr. Beams MB530 Wireless Battery-Operated Motion Sensing Step/Stair Light. First available at amazon.com May 9, 2008. (Year: 2008) 11 pages.

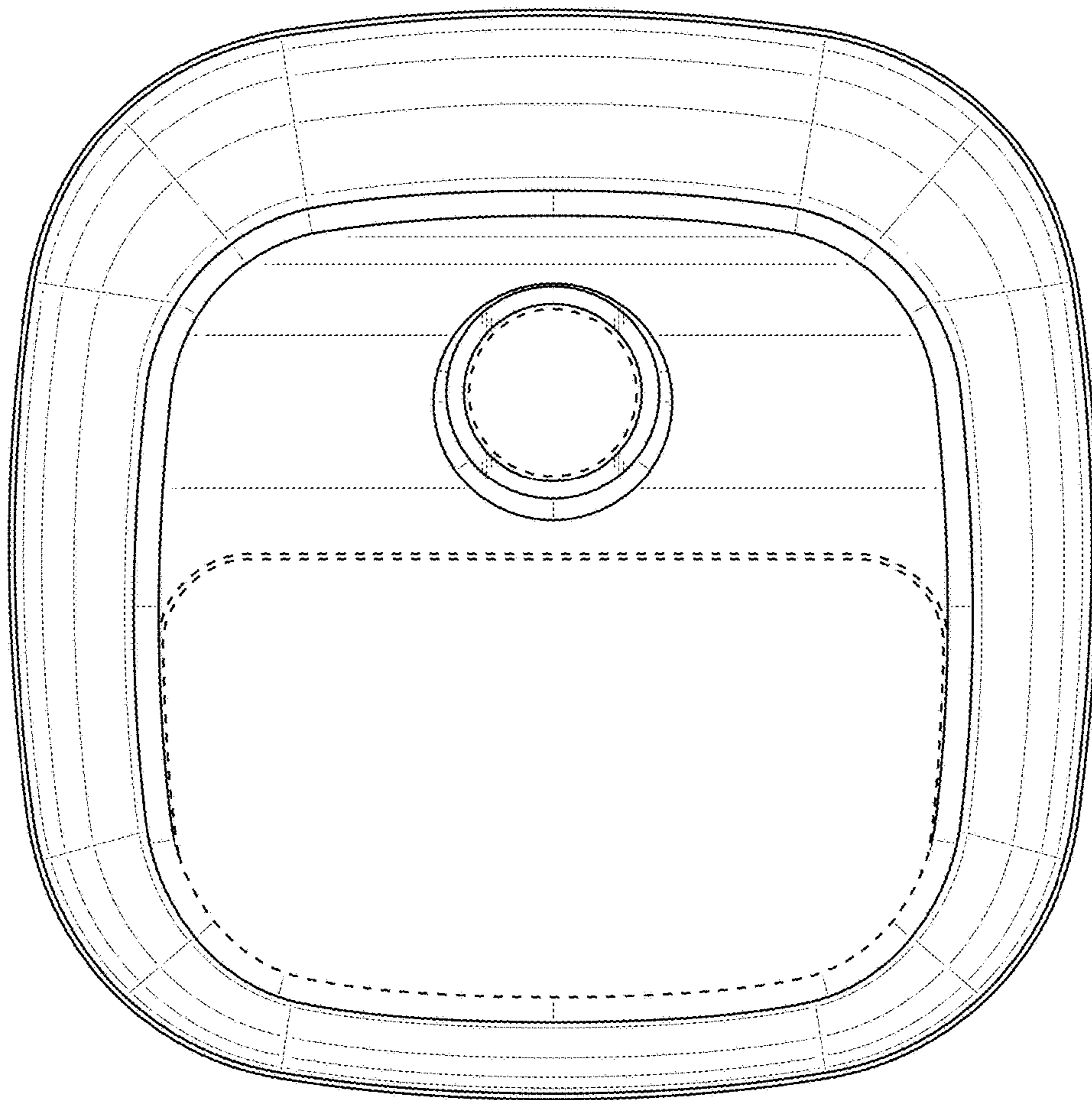
\* cited by examiner



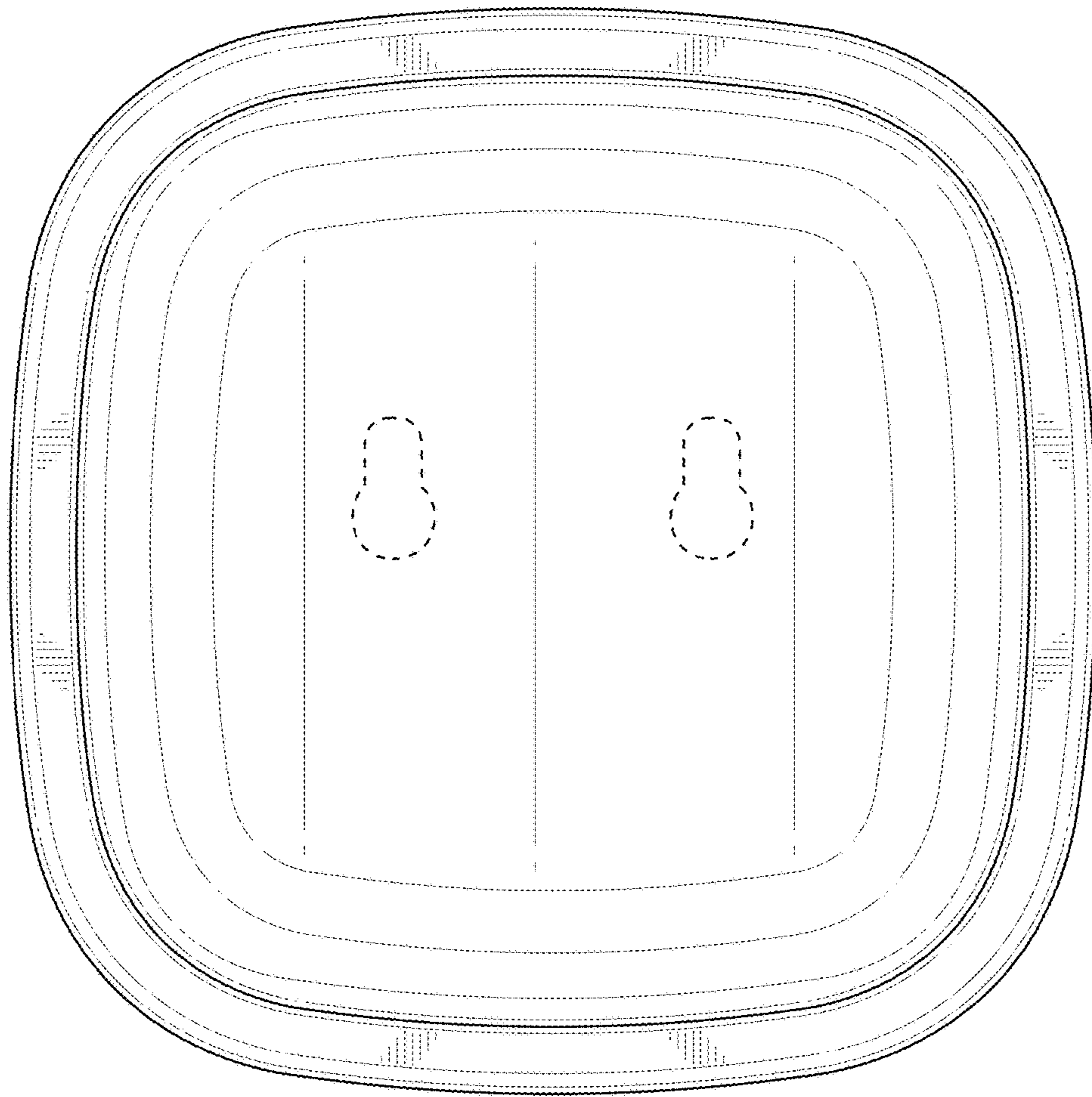
**FIG. 1**



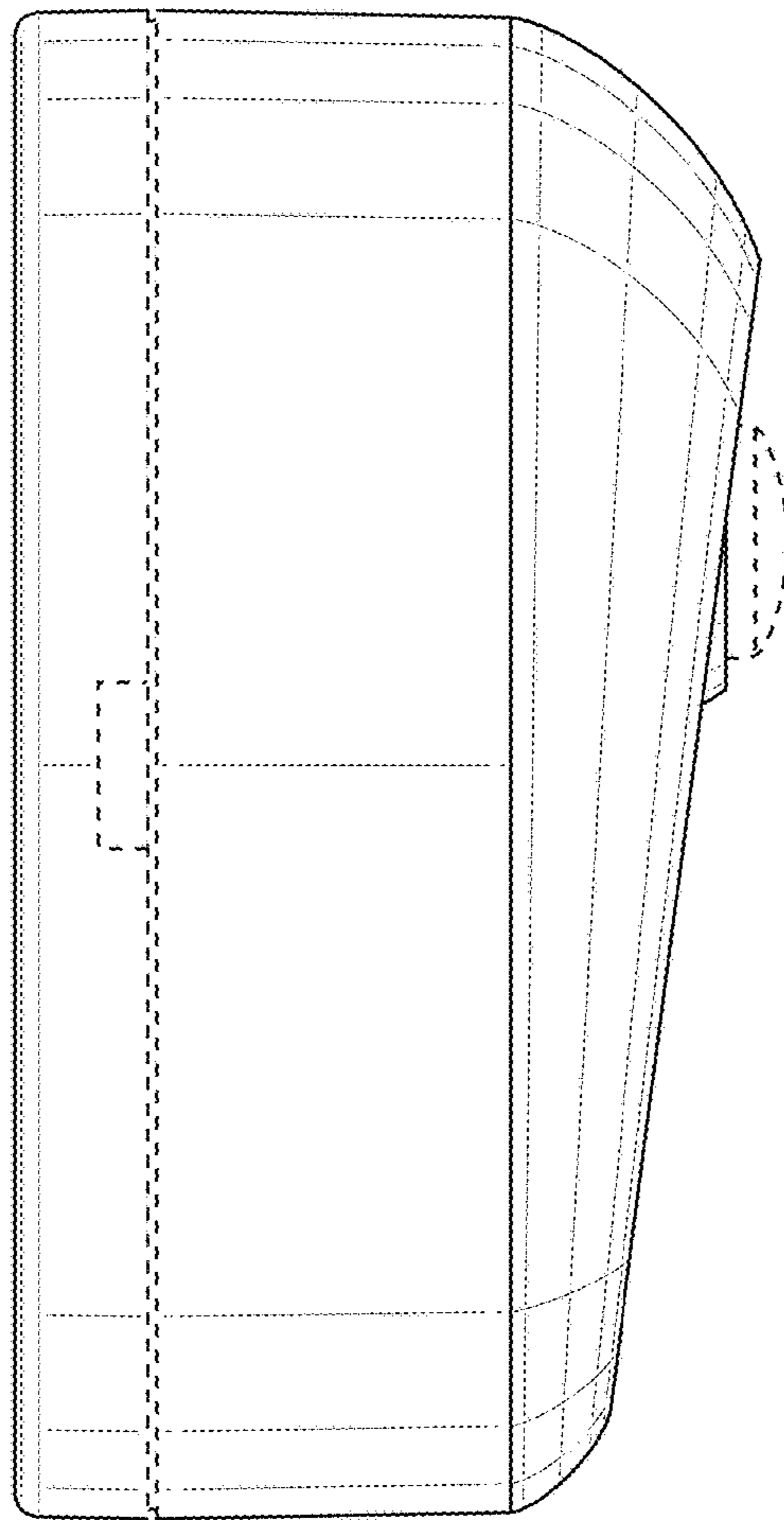
**FIG. 2**



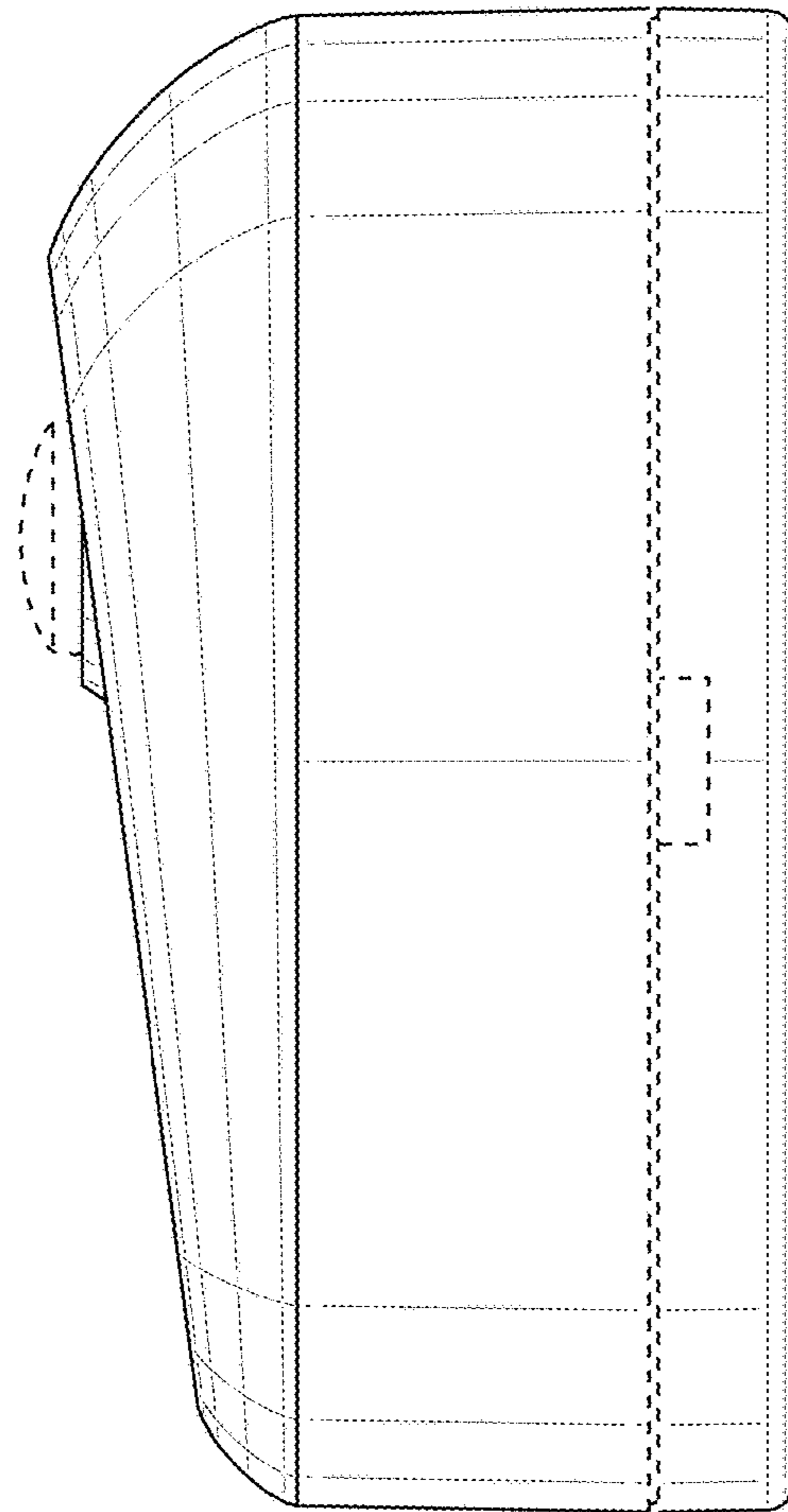
**FIG. 3**



**FIG. 4**

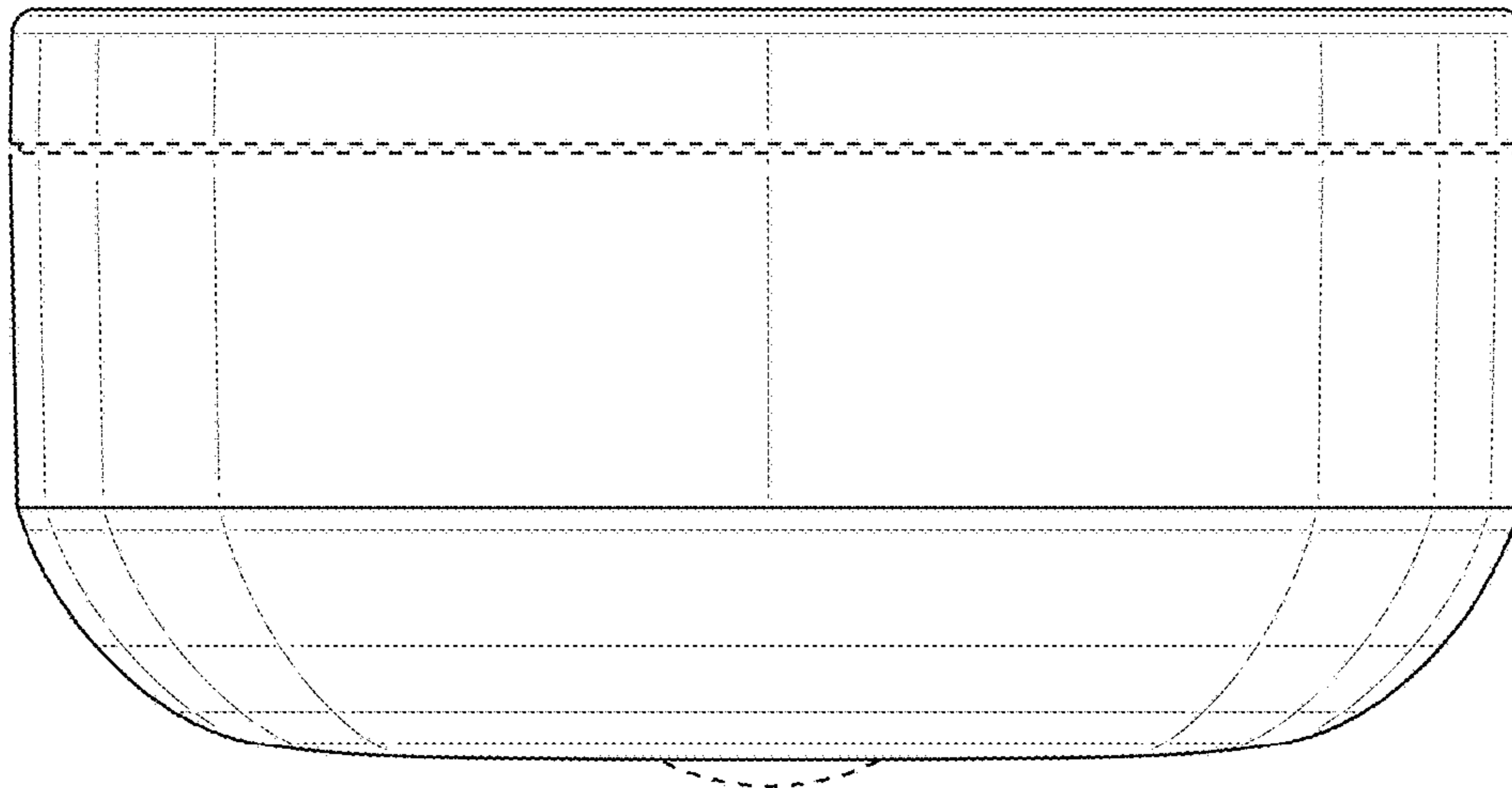


**FIG. 5**

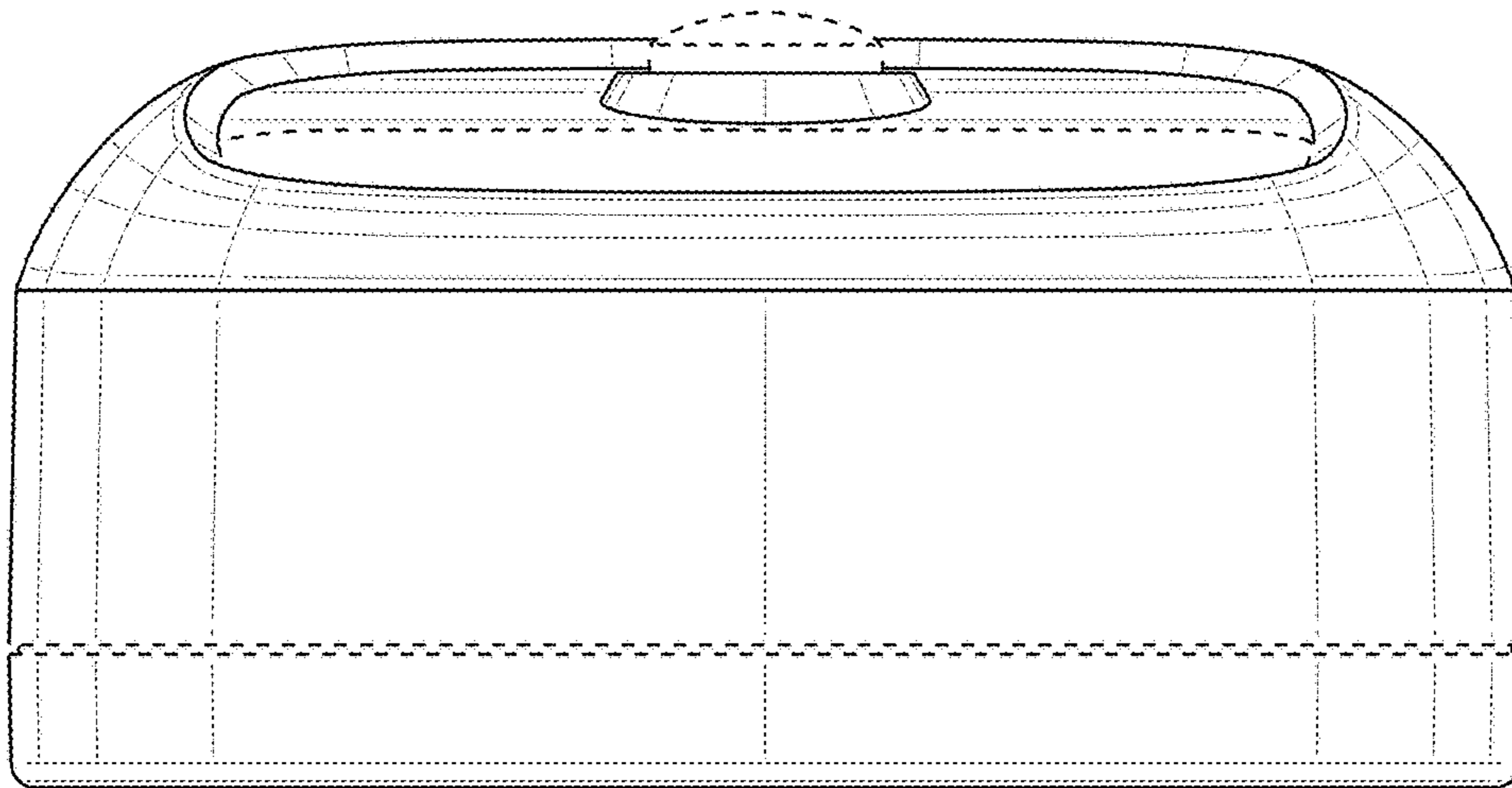


**FIG. 6**





**FIG. 7**



**FIG. 8**