



US00D868338S

(12) **United States Design Patent** (10) **Patent No.:** **US D868,338 S**
Schuyler (45) **Date of Patent:** **** Nov. 26, 2019**

(54) **LIGHT FIXTURE**
(71) Applicant: **SWAROVSKI LIGHTING, LTD.**,
Plattsburgh, NY (US)
(72) Inventor: **Andrew Schuyler**, Colchester, VT (US)
(73) Assignee: **SWAROVSKI LIGHTING, LTD.**,
Plattsburgh, NY (US)
(**) Term: **15 Years**
(21) Appl. No.: **29/648,540**
(22) Filed: **May 22, 2018**

D713,586 S * 9/2014 Lastimoso D26/81
D786,480 S * 5/2017 Dolan D26/81
D809,178 S * 1/2018 Orozco D26/81
D809,179 S * 1/2018 Orozco D26/81
D822,270 S * 7/2018 Nishikawa D26/155
(Continued)

OTHER PUBLICATIONS

Schuyler, Andrew, Design U.S. Appl. No. 29/648,525 entitled
“Light Fixture”, filed on May 22, 2018.
(Continued)

Primary Examiner — Darlington Ly
(74) *Attorney, Agent, or Firm* — Heslin Rothenberg
Farley & Mesiti P.C.

Related U.S. Application Data

(62) Division of application No. 35/001,310, filed on Jan.
9, 2017 (U.S. filing date under 35 U.S.C. 384), and
having an international filing date of Jan. 9, 2017,
now Pat. No. Des. 844,882.
(51) **LOC (12) Cl.** **26-05**
(52) **U.S. Cl.**
USPC **D26/81**
(58) **Field of Classification Search**
USPC ... D26/72, 73, 81, 84, 88, 90, 118, 127–137
CPC F21S 8/03; F21S 8/033; F21S 8/036; F21S
8/04; F21S 8/043; F21S 8/046; F21S
8/06; F21S 8/061; F21S 8/063; F21S
8/065; F21S 8/068
See application file for complete search history.

(57) **CLAIM**

The ornamental design for a light fixture, as shown and
described.

DESCRIPTION

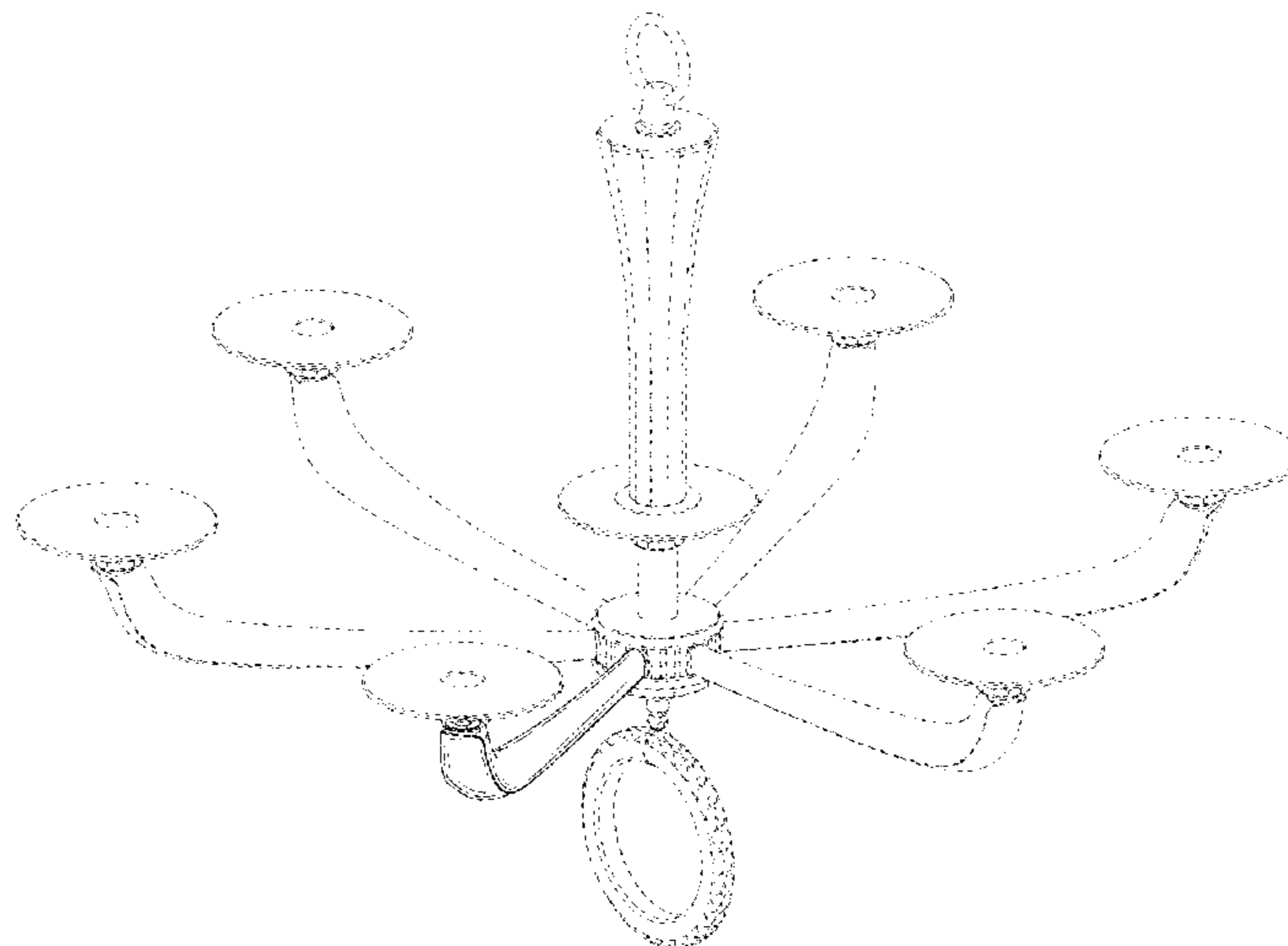
FIG. 1 is a perspective view of a first embodiment of the
light fixture of the present design;
FIG. 2 is a front elevation view thereof;
FIG. 3 is a rear elevation view thereof;
FIG. 4 is a top plan view thereof;
FIG. 5 is a bottom plan view thereof;
FIG. 6 is a left elevation view thereof;
FIG. 7 is a right elevation view thereof;
FIG. 8 is a perspective view of a second embodiment of the
light fixture of the present design;
FIG. 9 is a front elevation view thereof;
FIG. 10 is a rear elevation view thereof;
FIG. 11 is a top plan view thereof;
FIG. 12 is a bottom plan view thereof;
FIG. 13 is a left elevation view thereof; and,
FIG. 14 is a right elevation view thereof.
The portions of the light fixture shown in broken lines form
no part of the claimed design.

(56) **References Cited**

U.S. PATENT DOCUMENTS

D578,700 S * 10/2008 Chen D26/81
D583,089 S * 12/2008 Orozco D26/81
D598,600 S * 8/2009 Chen D26/81
D605,347 S * 12/2009 Miranda D26/144
D636,519 S * 4/2011 Rabideau D26/144
D685,944 S * 7/2013 Vivian D26/81
D711,578 S * 8/2014 Naddeo D26/81

1 Claim, 14 Drawing Sheets



(56)

References Cited

U.S. PATENT DOCUMENTS

D844,882 S 4/2019 Schuyler et al.
2006/0146548 A1* 7/2006 Pazula F21S 8/065
362/405

OTHER PUBLICATIONS

Schuyler, Andrew, Design U.S. Appl. No. 29/648,547 entitled
"Light Fixture", filed on May 22, 2018.
Schuyler, Andrew, Design U.S. Appl. No. 29/648,558 entitled
"Light Fixture", filed on May 22, 2018.

* cited by examiner

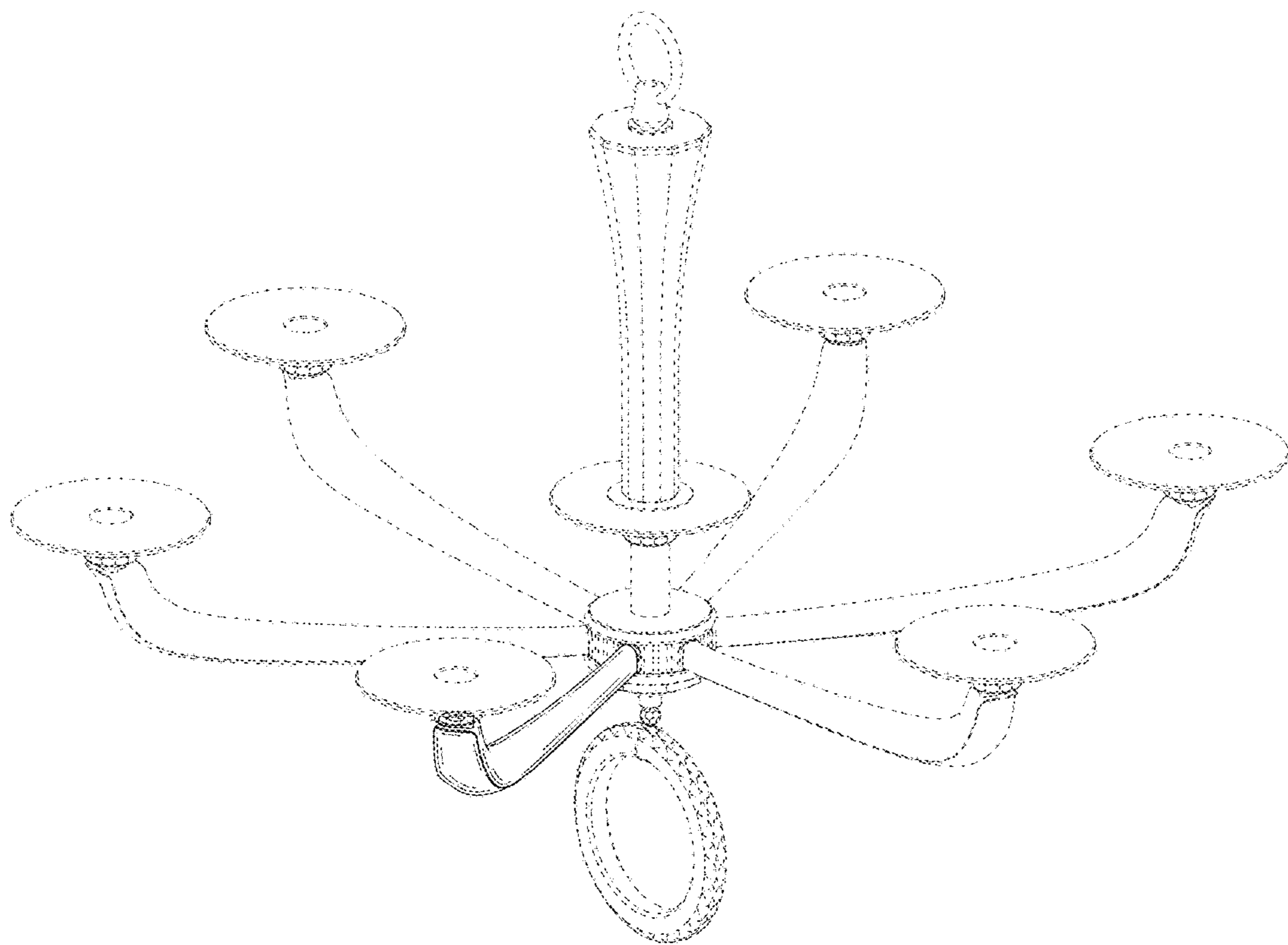


FIG. 1

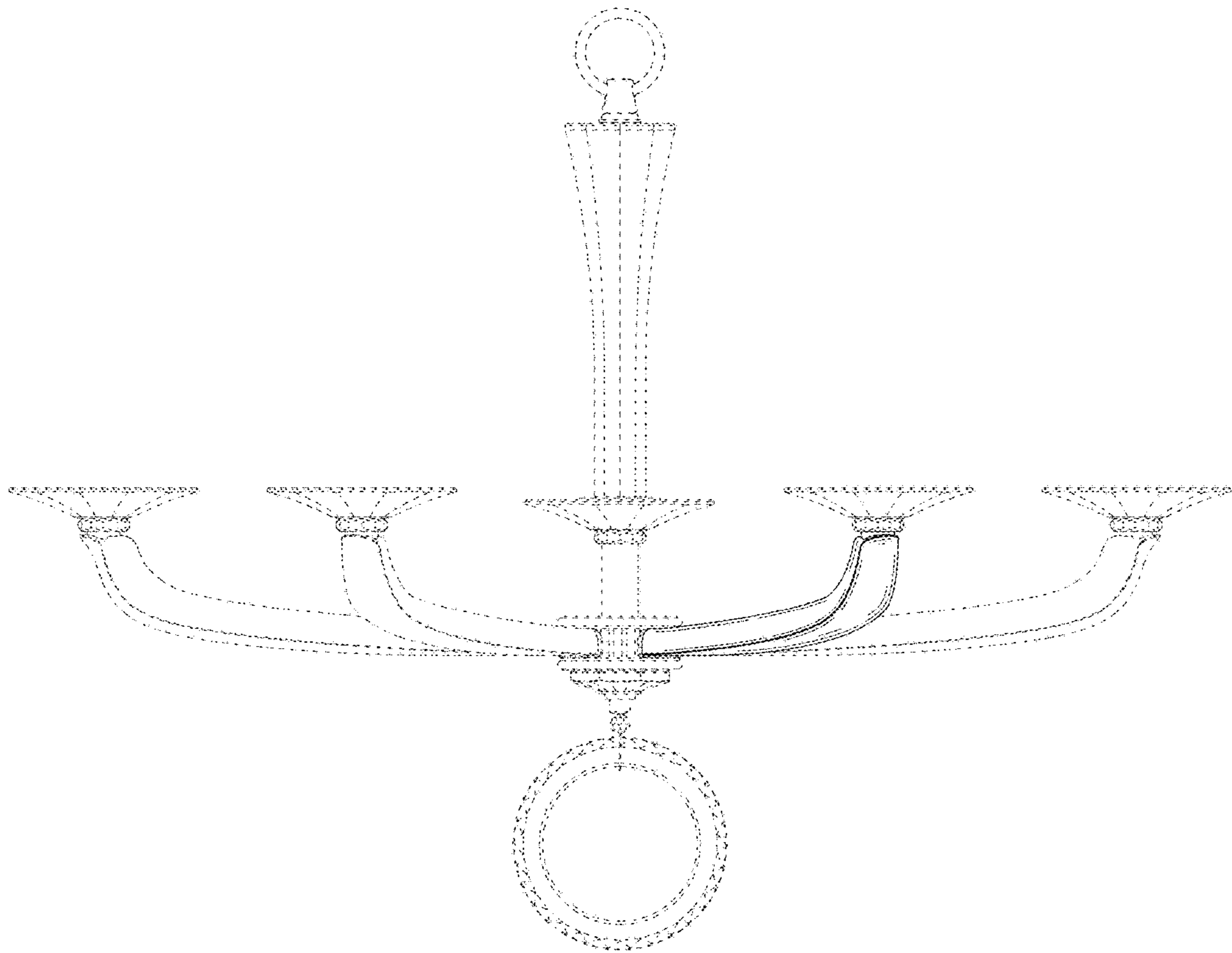


FIG. 2

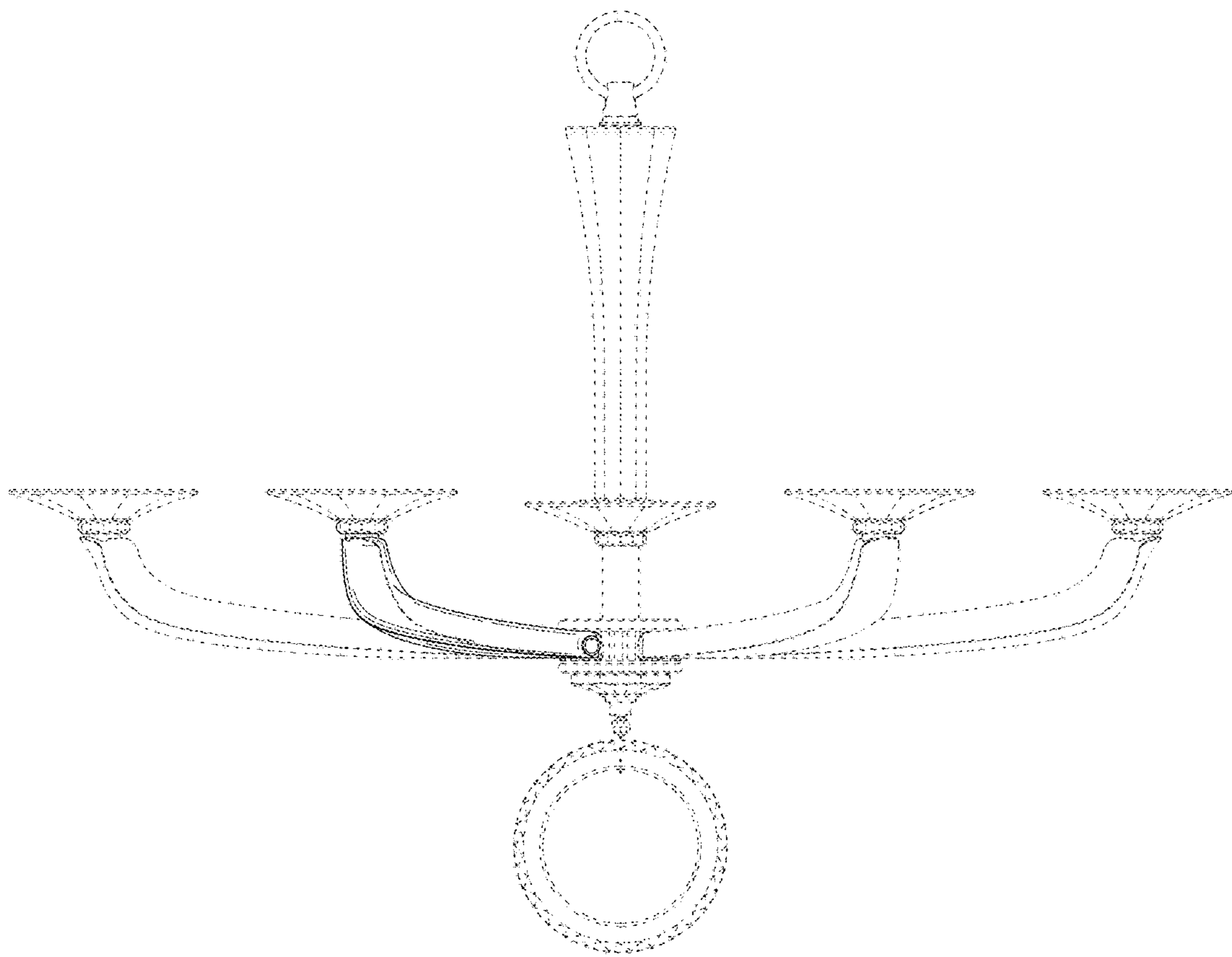


FIG. 3

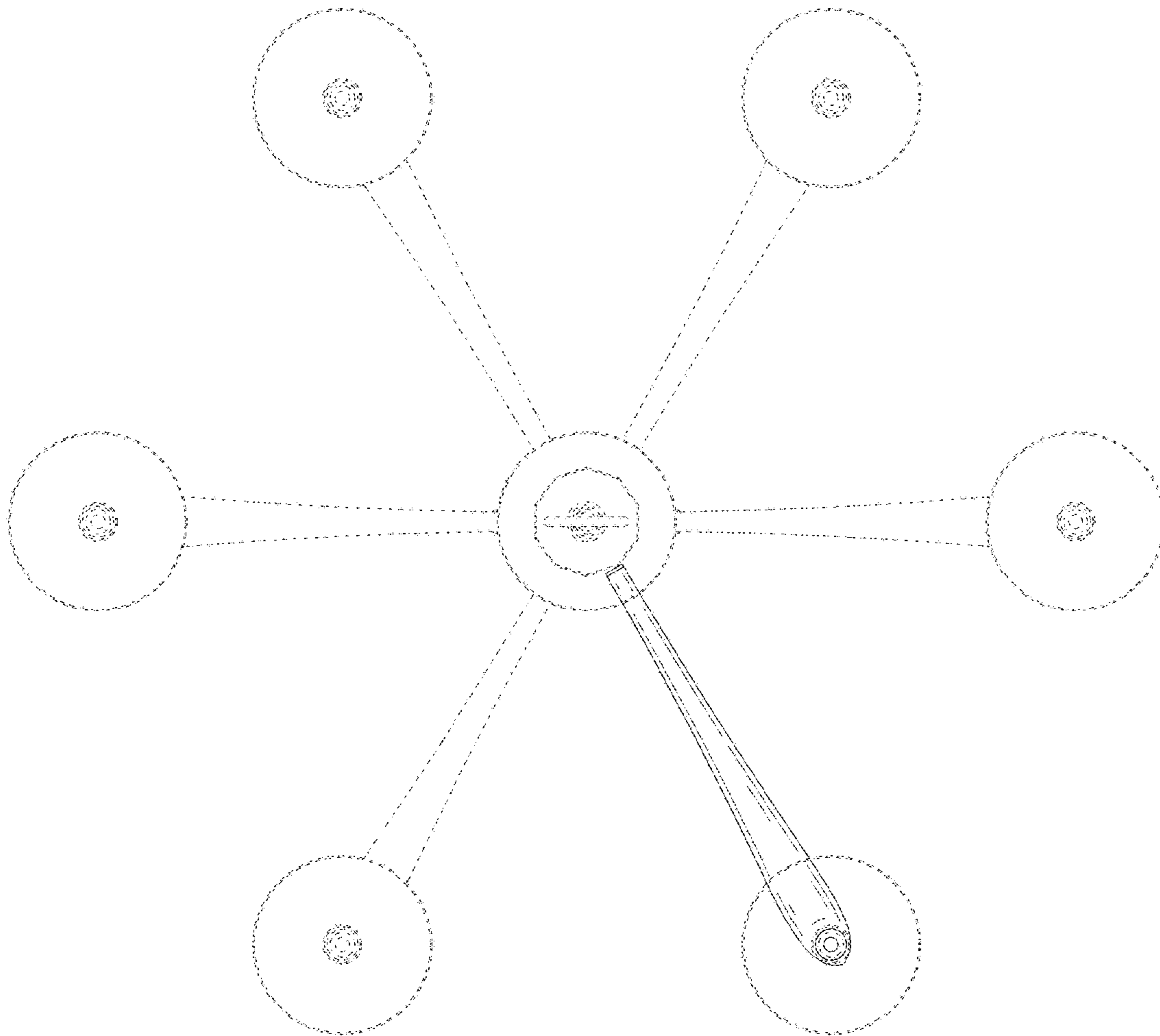


FIG. 4

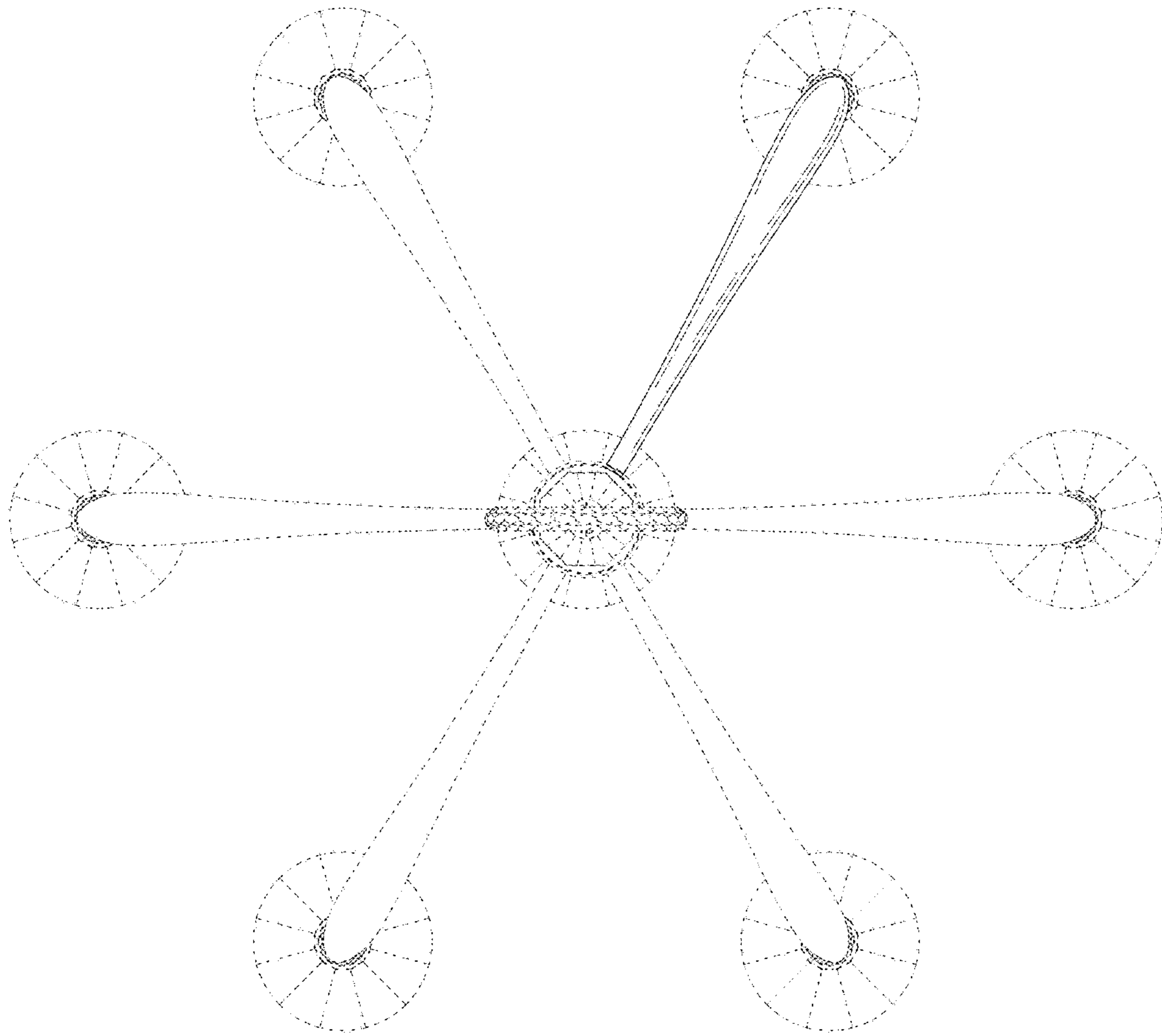


FIG. 5

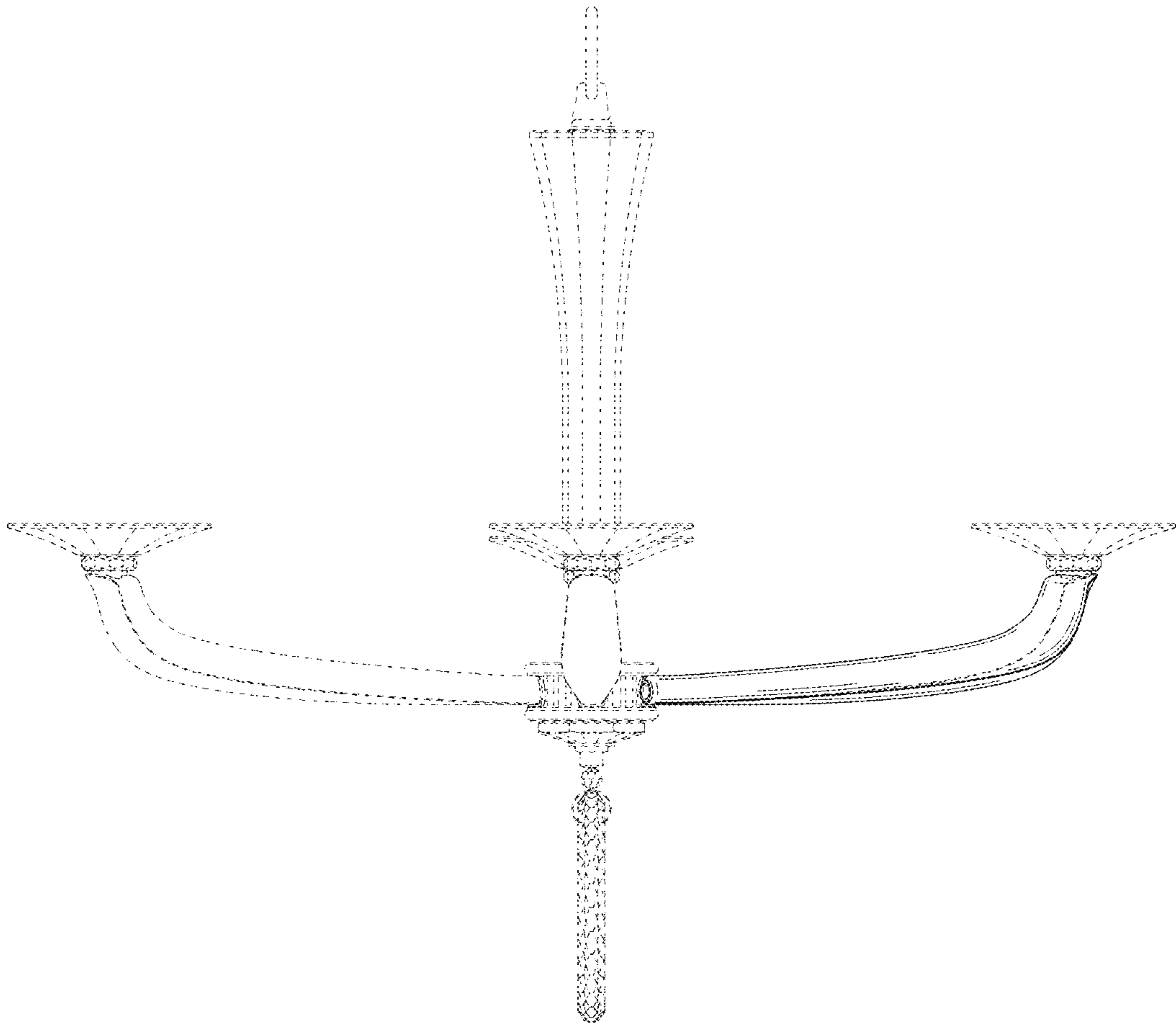


FIG. 6

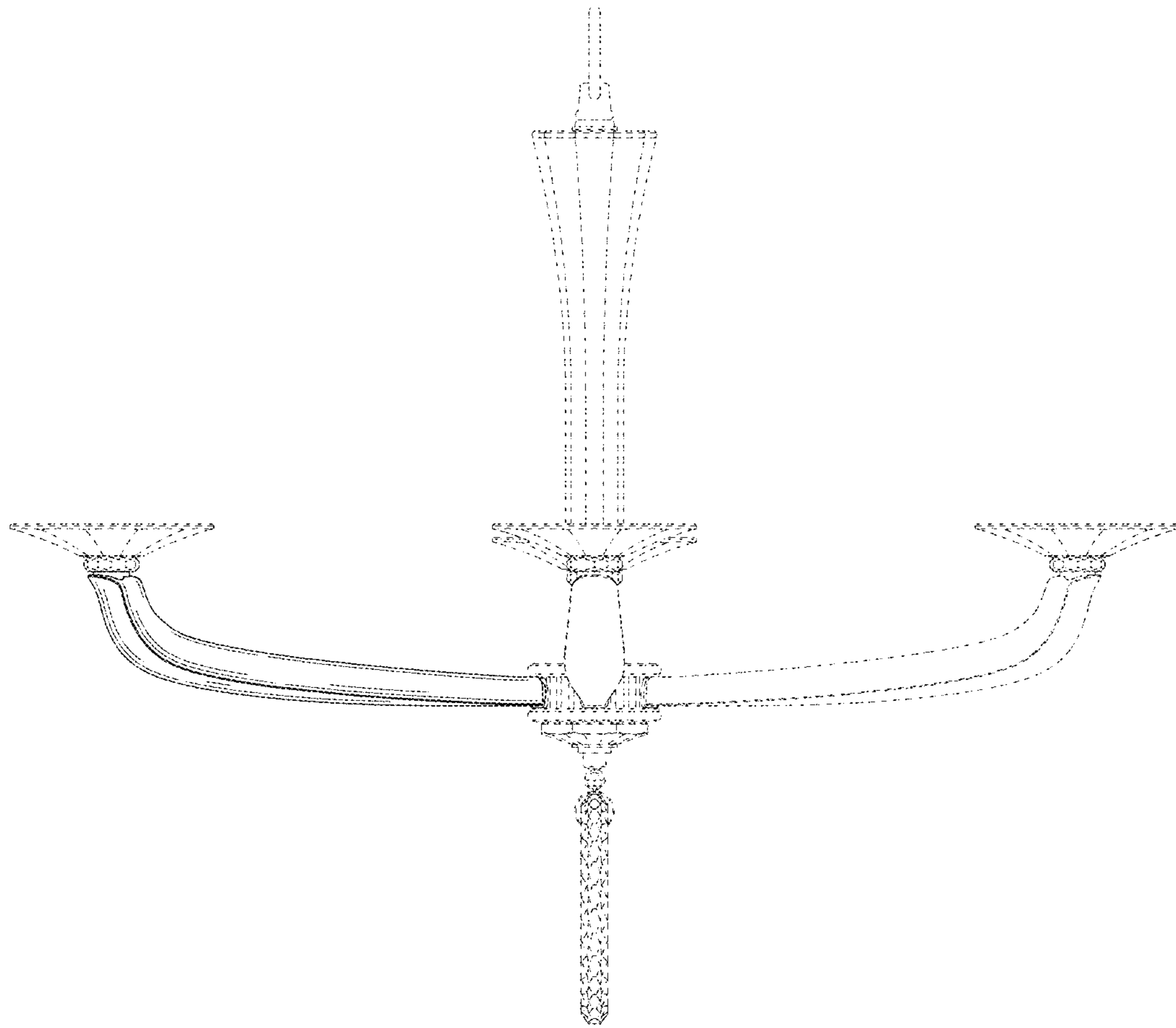


FIG. 7

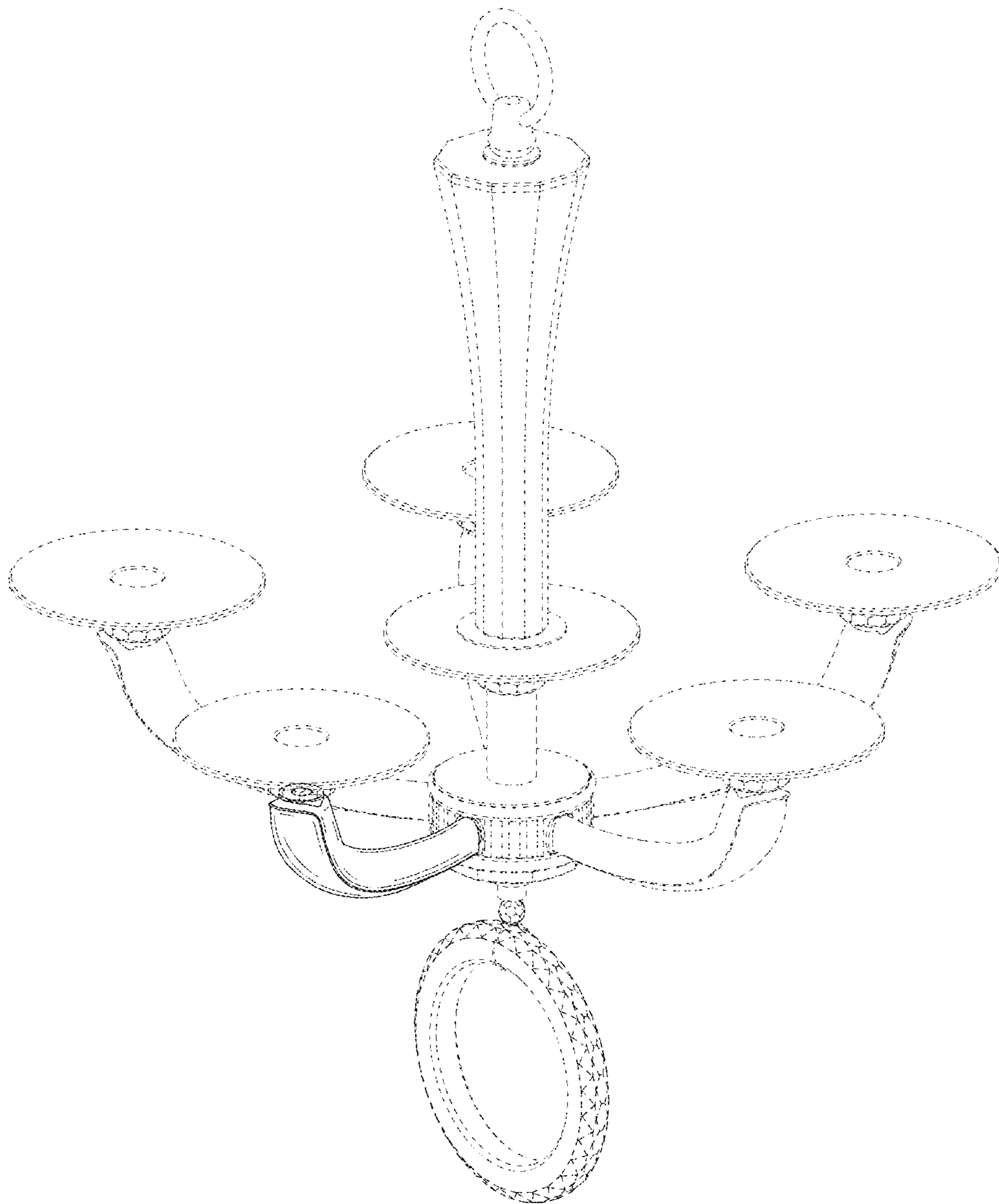


FIG. 8

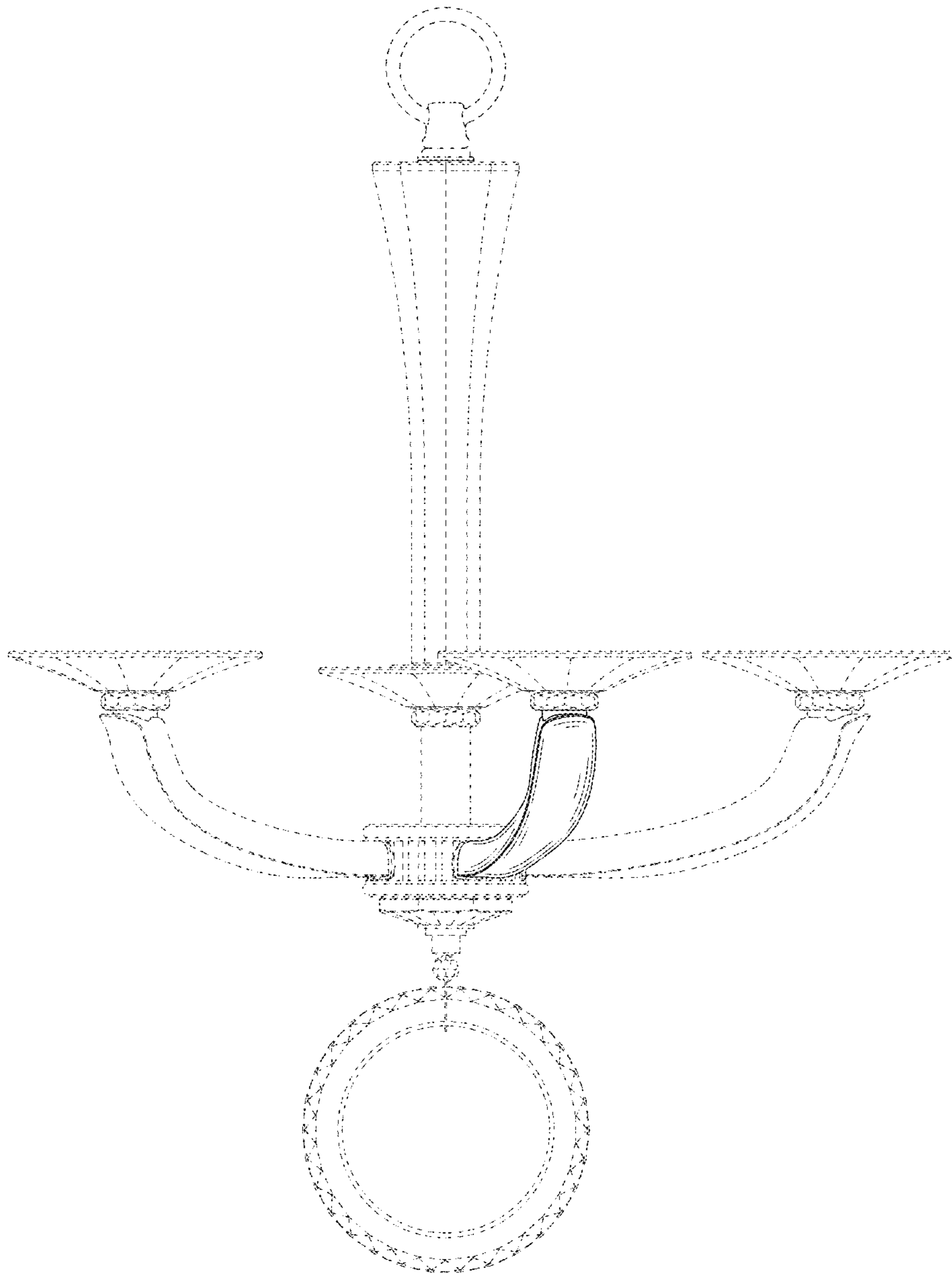


FIG. 9

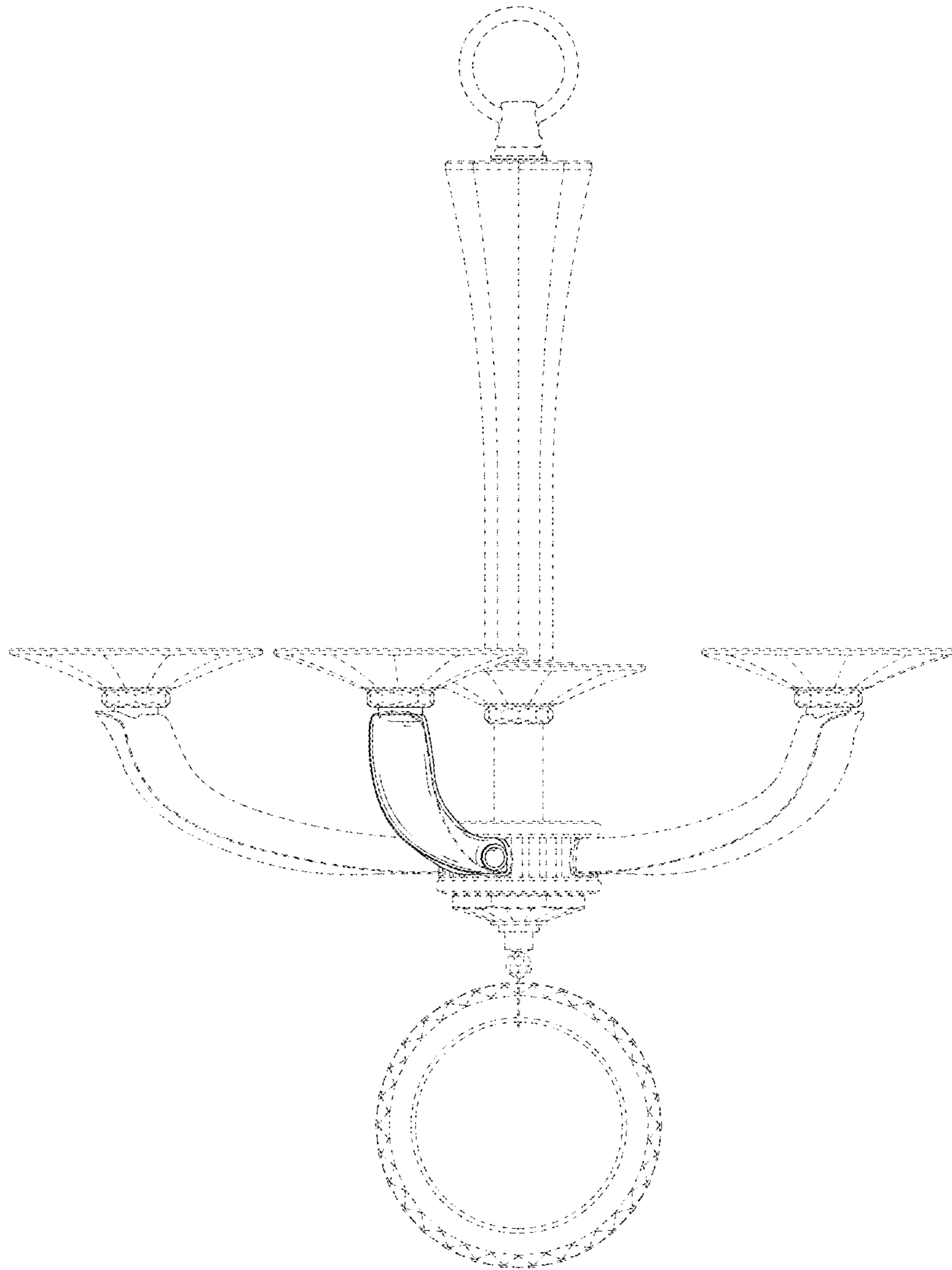


FIG. 10

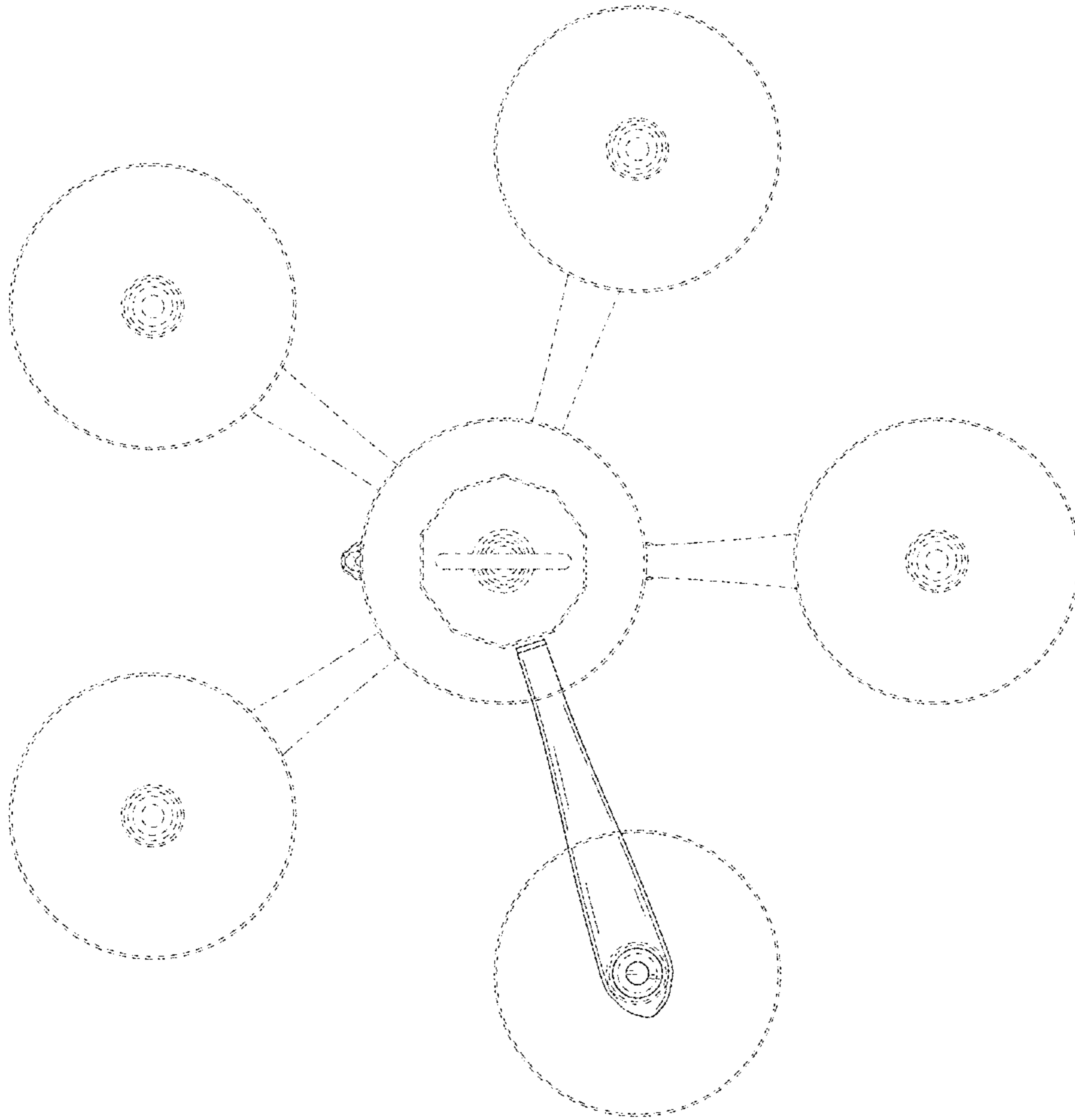


FIG. 11

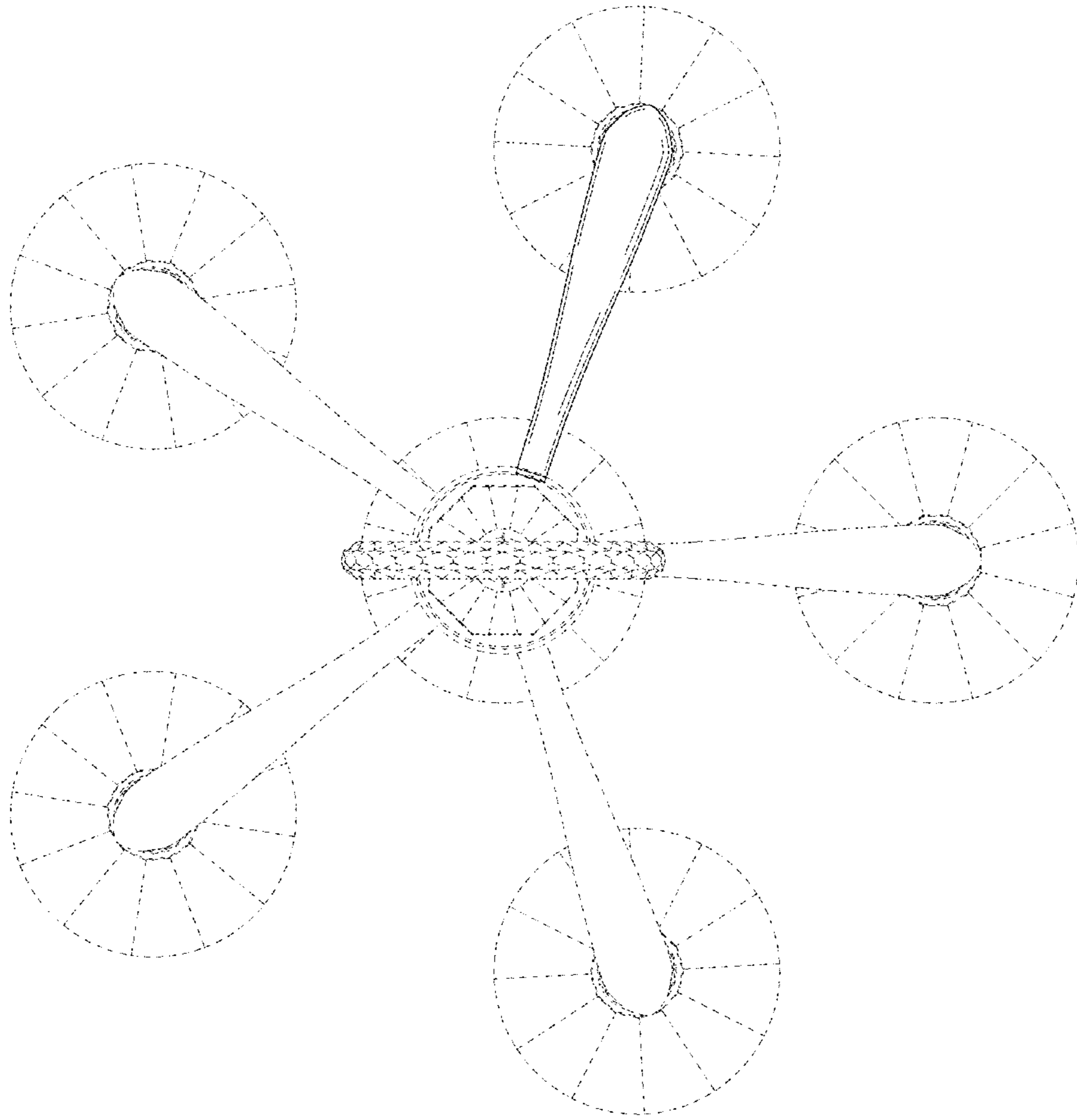


FIG. 12

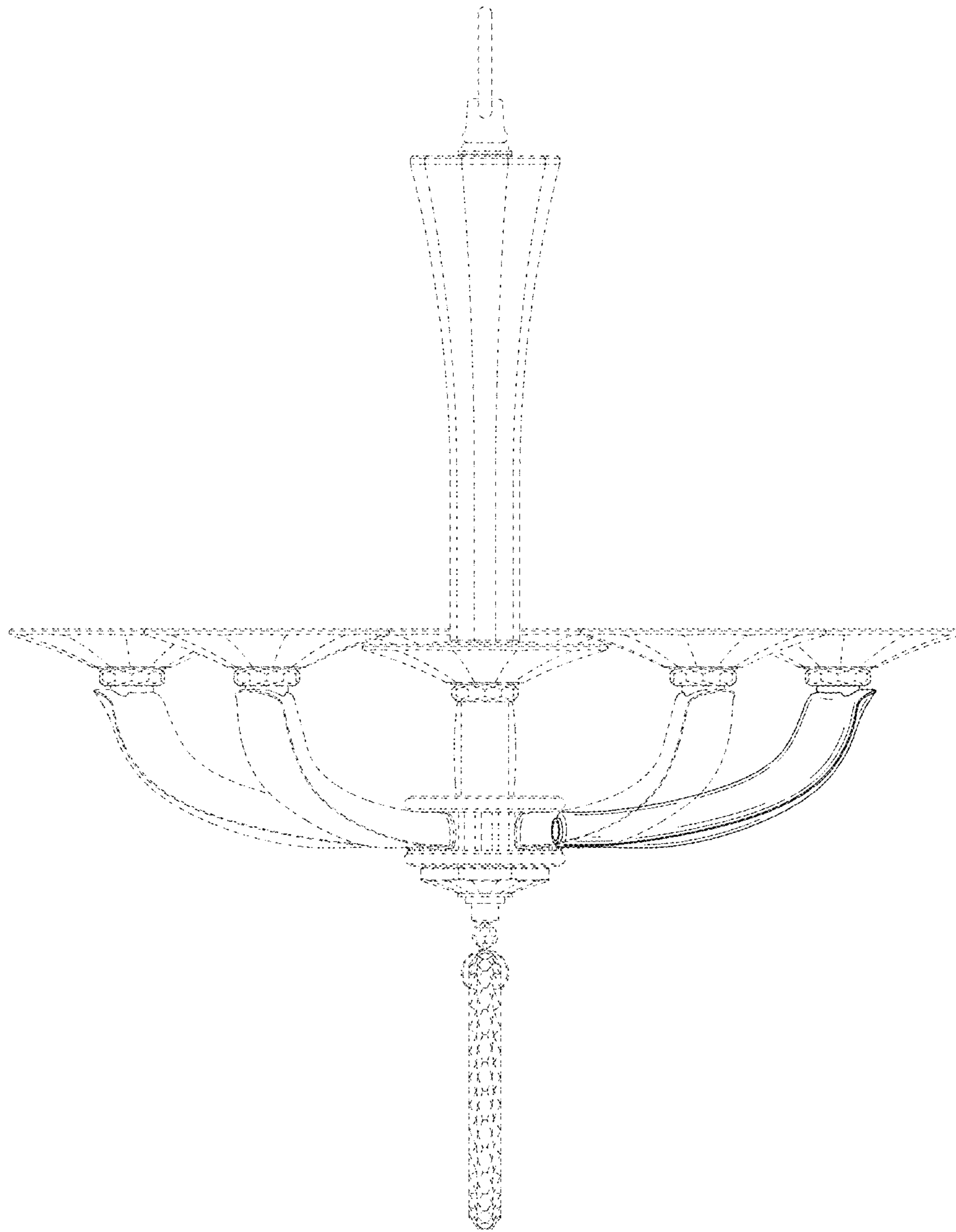


FIG. 13

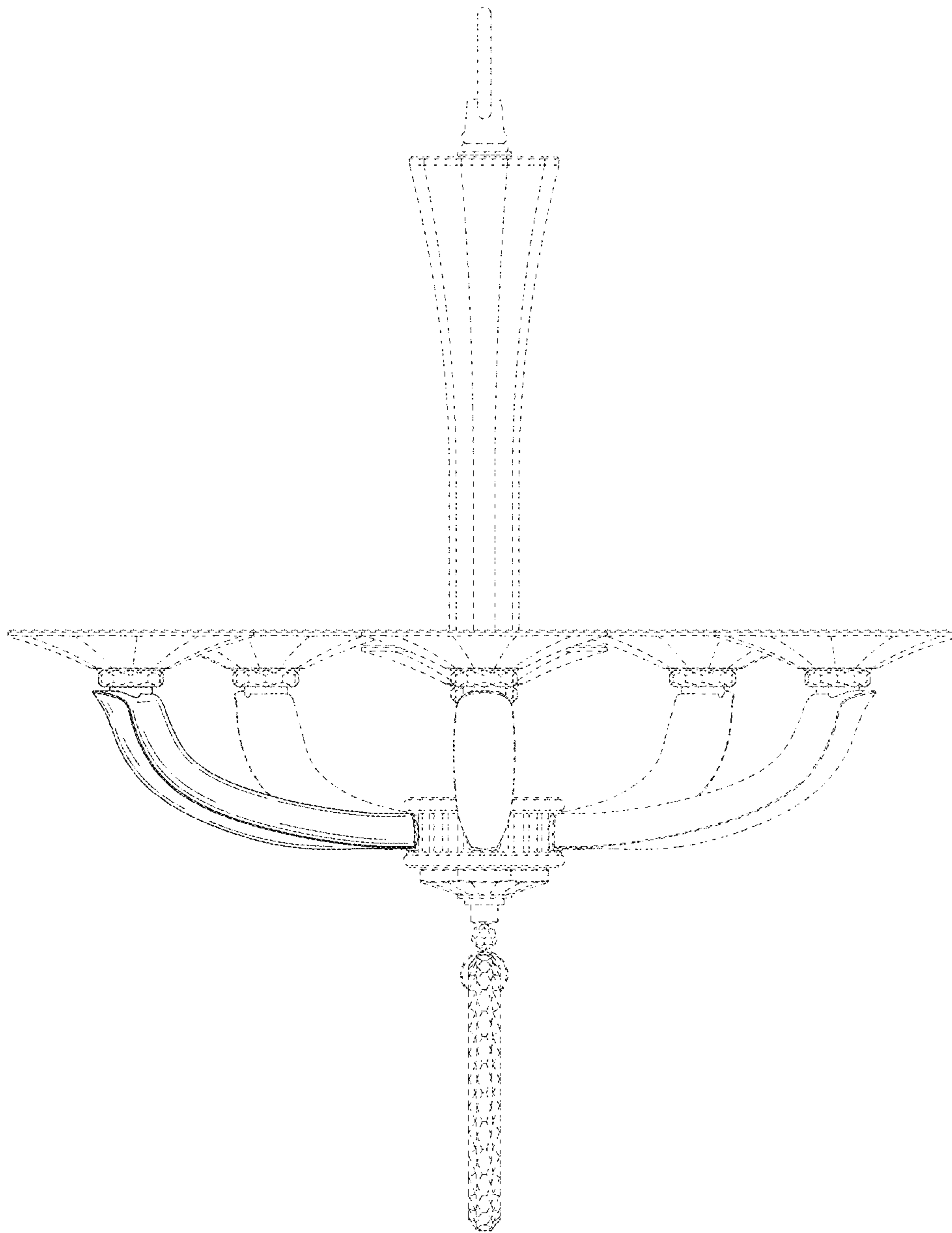


FIG. 14