



US00D868337S

(12) **United States Design Patent**
Deng

(10) **Patent No.:** **US D868,337 S**

(45) **Date of Patent:** **** Nov. 26, 2019**

(54) **PLANT GROW LIGHT**

(71) Applicant: **EVERY INDUSTRY LLC**, Rancho Dominguez, CA (US)

(72) Inventor: **Jinsheng Deng**, Rancho Dominguez, CA (US)

(73) Assignee: **EVERY INDUSTRY LLC**, Rancho Dominguez, CA (US)

(**) Term: **15 Years**

(21) Appl. No.: **29/656,009**

(22) Filed: **Jul. 10, 2018**

(30) **Foreign Application Priority Data**

May 30, 2018 (CN) 2018 3 0262777

(51) **LOC (12) Cl.** **26-04**

(52) **U.S. Cl.**
USPC **D26/76**

(58) **Field of Classification Search**
USPC D26/72, 74, 76, 78-83, 85, 86, 88, 90, D26/93, 111, 113, 118, 119, 120, 121, D26/122, 138, 139, 140, 141, 142, 152
CPC F21S 2/00; F21S 4/00; F21S 4/003; F21S 4/005; F21S 4/006; F21S 4/007; F21S 4/008; F21S 6/00; F21S 8/00; F21S 8/024; F21S 8/026; F21S 8/031; F21S 8/033; F21S 8/035-037; F21S 8/04; F21S 8/043; F21S 8/063
See application file for complete search history.

(56) **References Cited**

U.S. PATENT DOCUMENTS

D463,059 S * 9/2002 Verfuerrth D26/78
D480,172 S * 9/2003 Herst D26/121
D714,486 S * 9/2014 Wilke D26/113

D731,103 S * 6/2015 Wilke D26/72
D735,931 S * 8/2015 Lehman D26/121
D750,308 S * 2/2016 Rodgers D26/76
D774,235 S * 12/2016 Wilke D26/76
D807,567 S * 1/2018 Tweel D26/118
D809,701 S * 2/2018 Tweel D26/118
D818,626 S * 5/2018 Park D26/76
D819,864 S * 6/2018 Deng D26/76
D822,885 S * 7/2018 Tweel D26/118
D822,886 S * 7/2018 Tweel D26/118
D824,570 S * 7/2018 Bobel D26/76
D840,087 S * 2/2019 Zeng D26/76
D844,880 S * 4/2019 Zeng D26/76

* cited by examiner

Primary Examiner — Natasha Vujcic

(74) *Attorney, Agent, or Firm* — Ladas & Parry LLP

(57) **CLAIM**

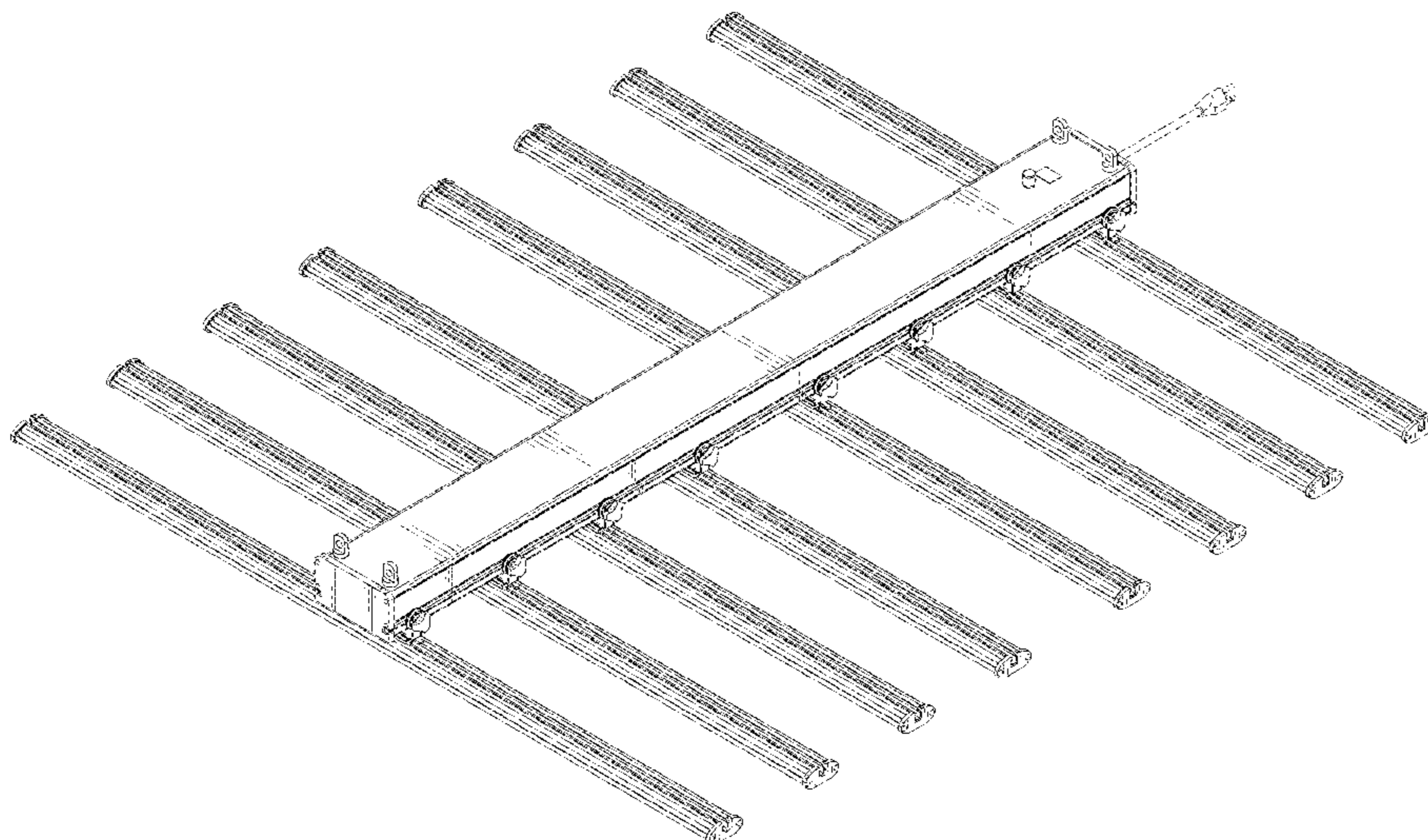
The ornamental design for a plant grow light, as shown and described.

DESCRIPTION

FIG. 1 is a front elevational view of a plant growth light showing my new design;
FIG. 2 is a rear elevational view thereof;
FIG. 3 is a left side elevational view thereof;
FIG. 4 is a right side elevational view thereof;
FIG. 5 is a top plan view thereof; and
FIG. 6 is a bottom plan view thereof.
FIG. 7 is front, top, left perspective view;
FIG. 8 is a rear, bottom, right perspective view thereof;
FIG. 9 is a front, top, left perspective and partial exploded view thereof;
FIG. 10 is an enlarged view of the circled portion "10" of FIG. 9; and,
FIG. 11 is an enlarged view of the circled portion "11" of FIG. 9.

The broken lines in the drawings illustrate portions of the plant grow light which forms no part of the claimed design.

1 Claim, 11 Drawing Sheets



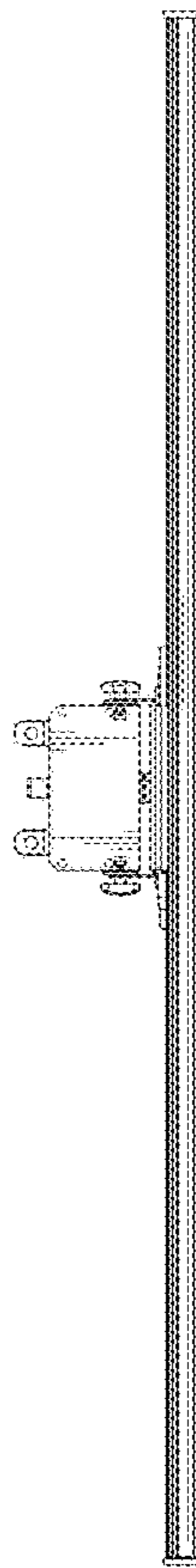


FIG. 1

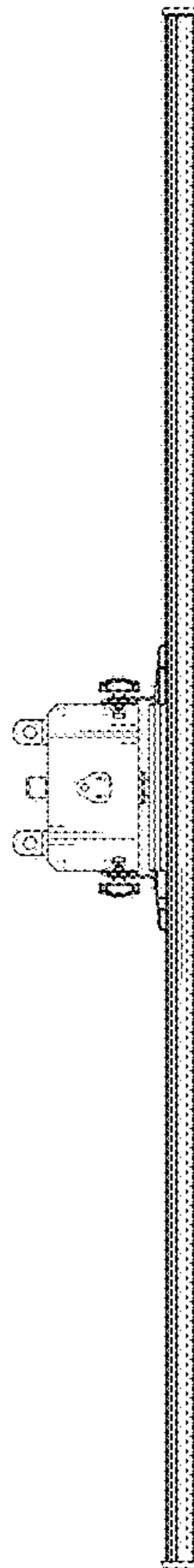


FIG. 2

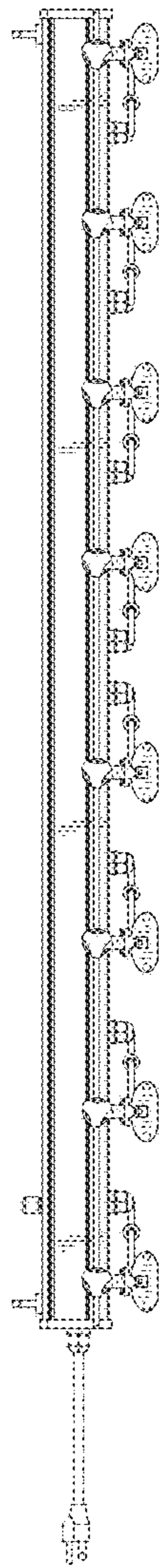


FIG. 3

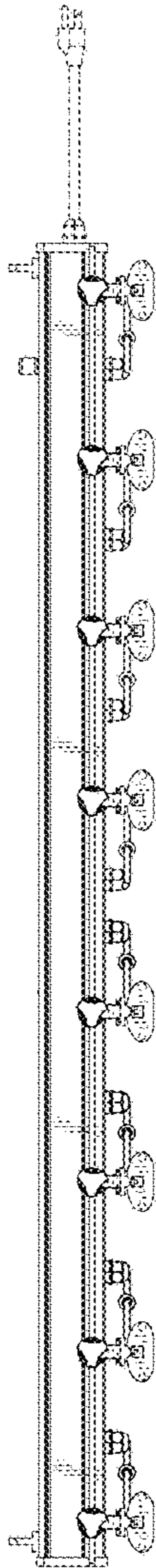


FIG. 4

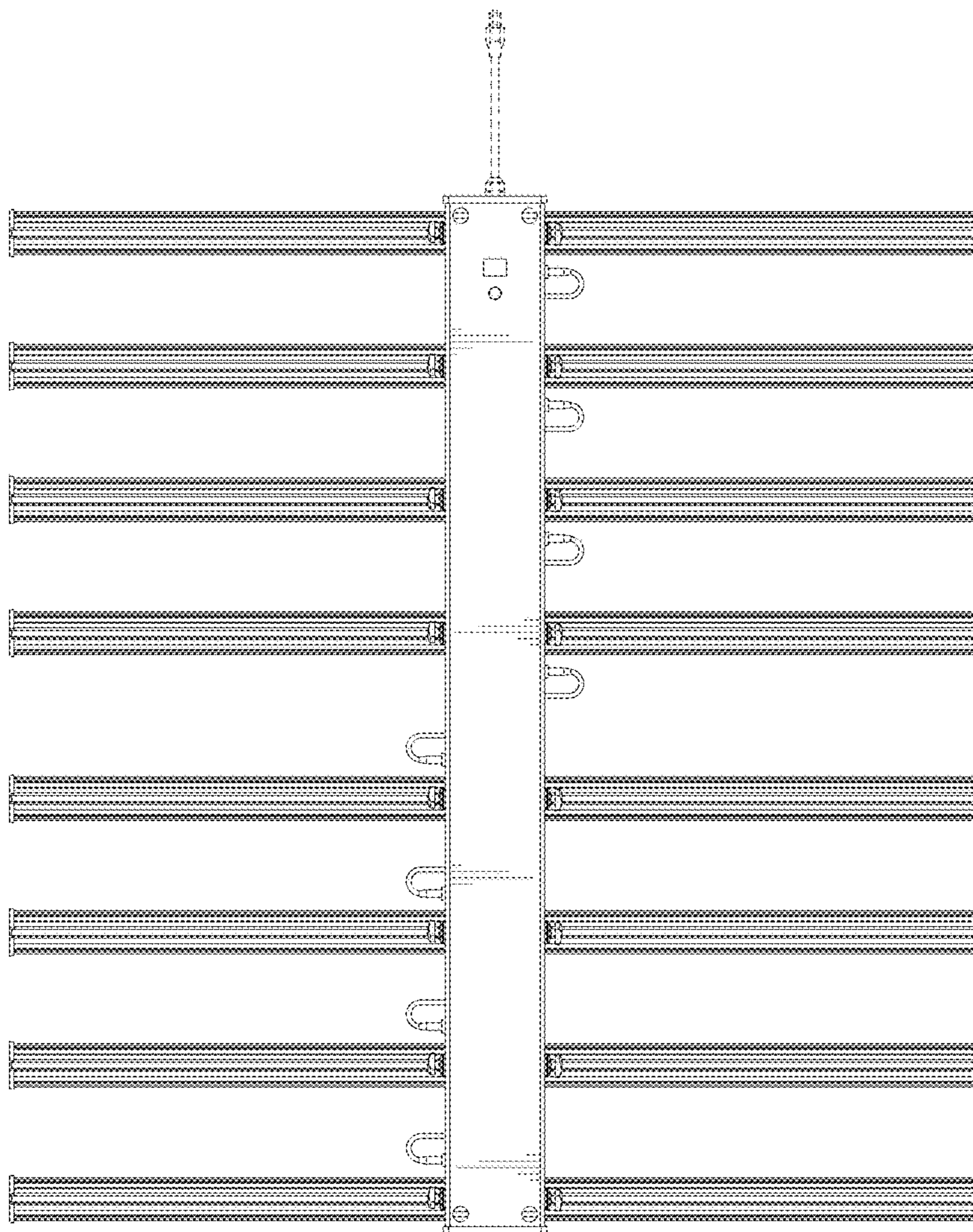


FIG. 5

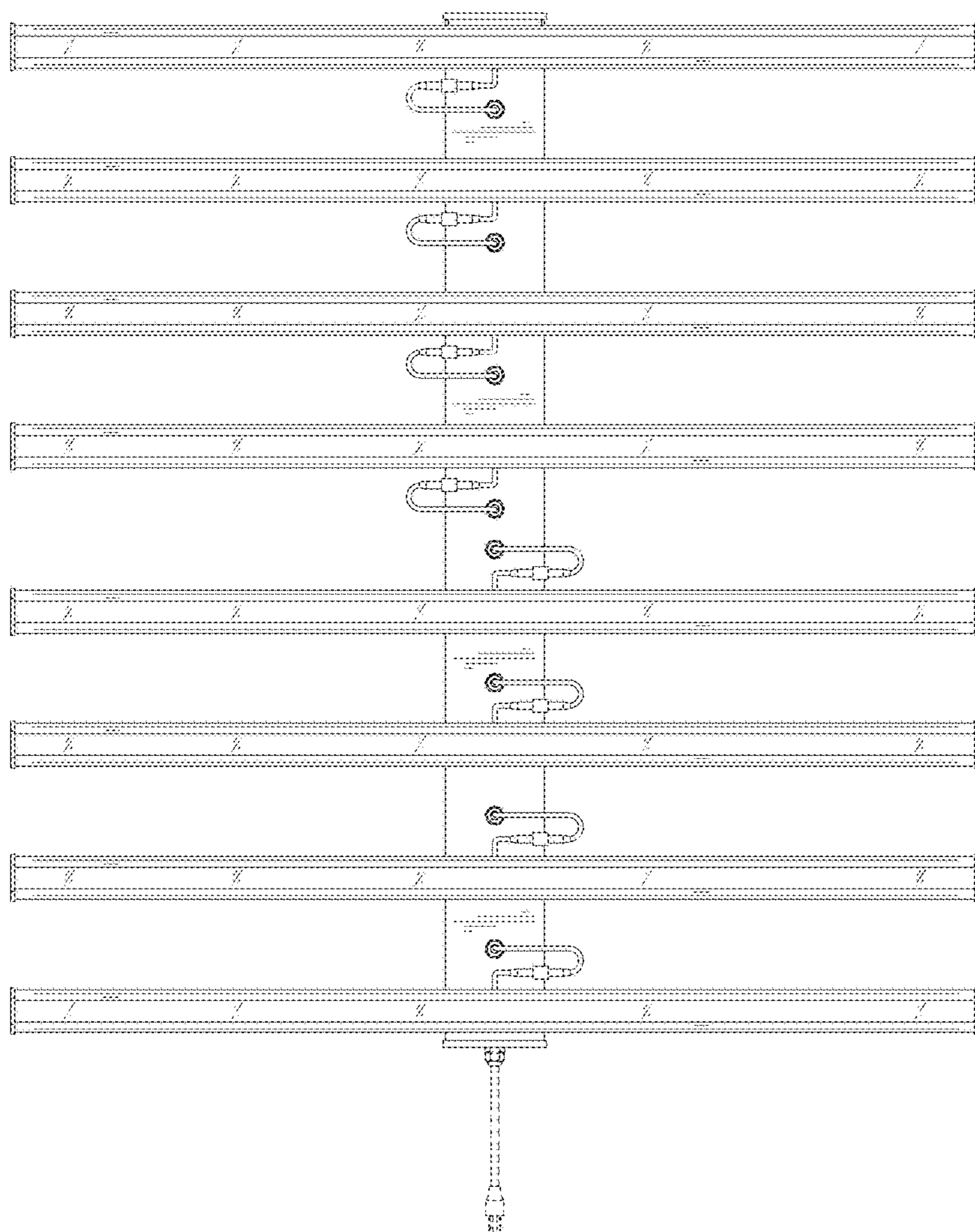


FIG. 6

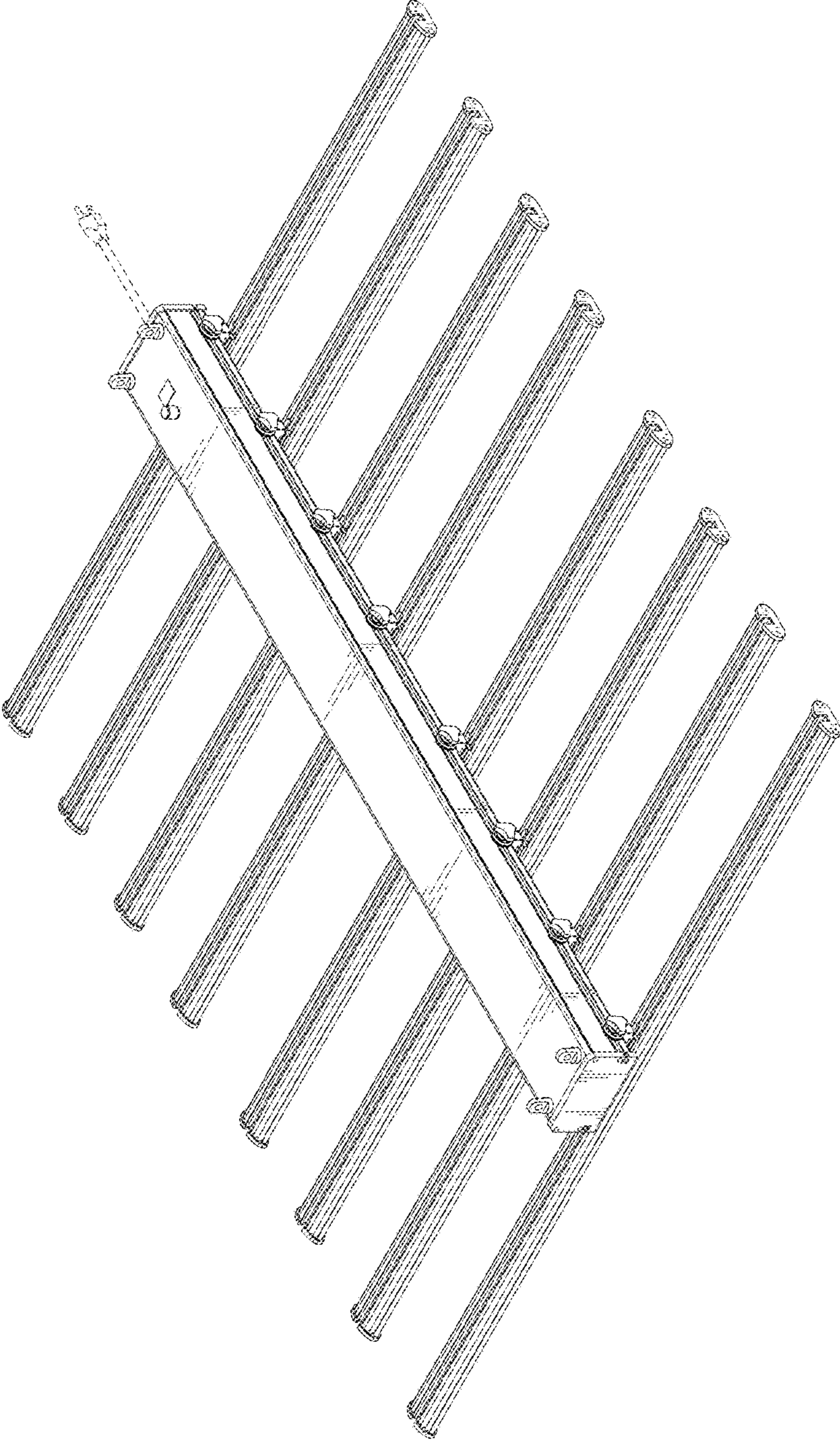


FIG. 7

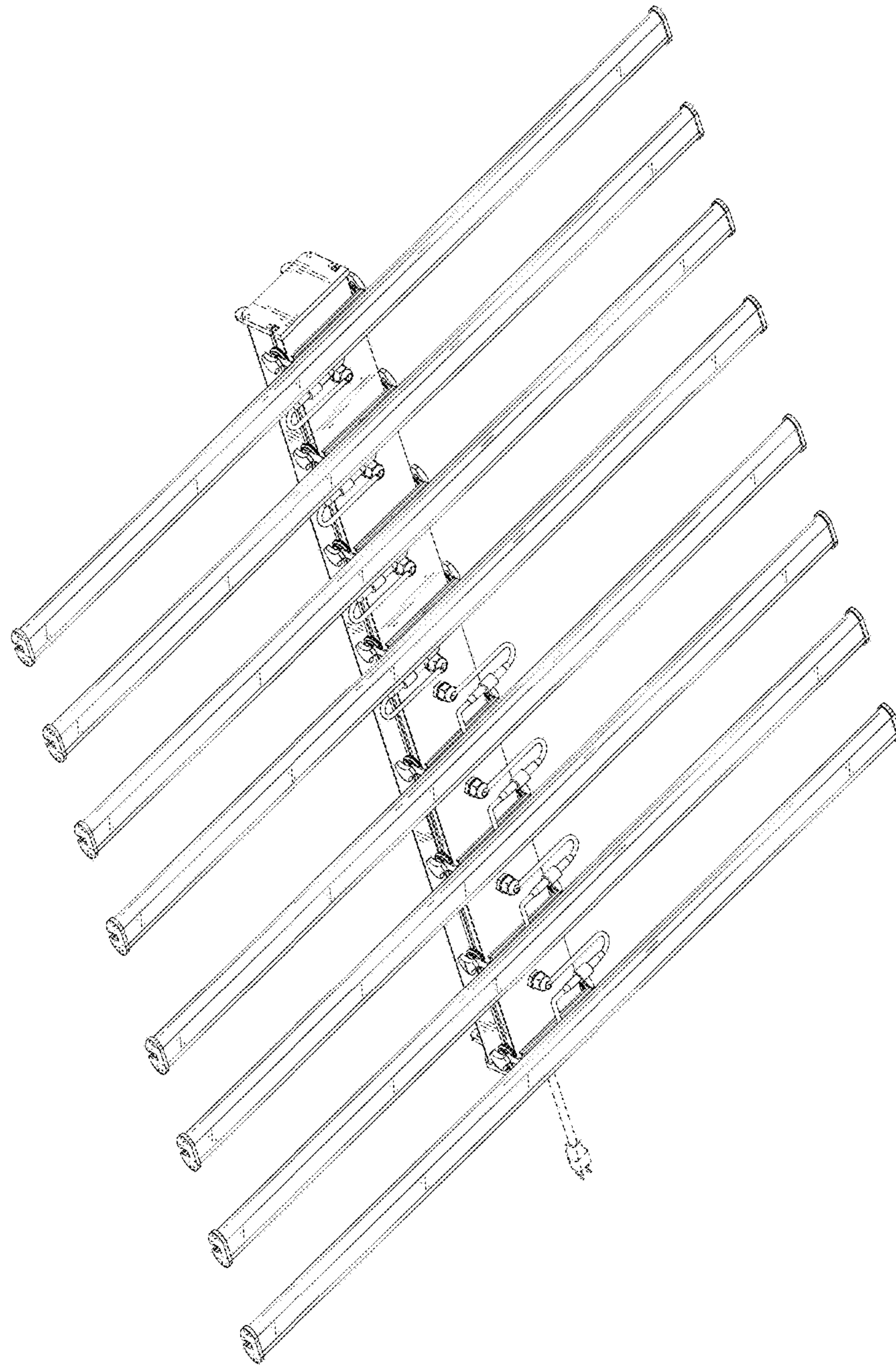


FIG. 8

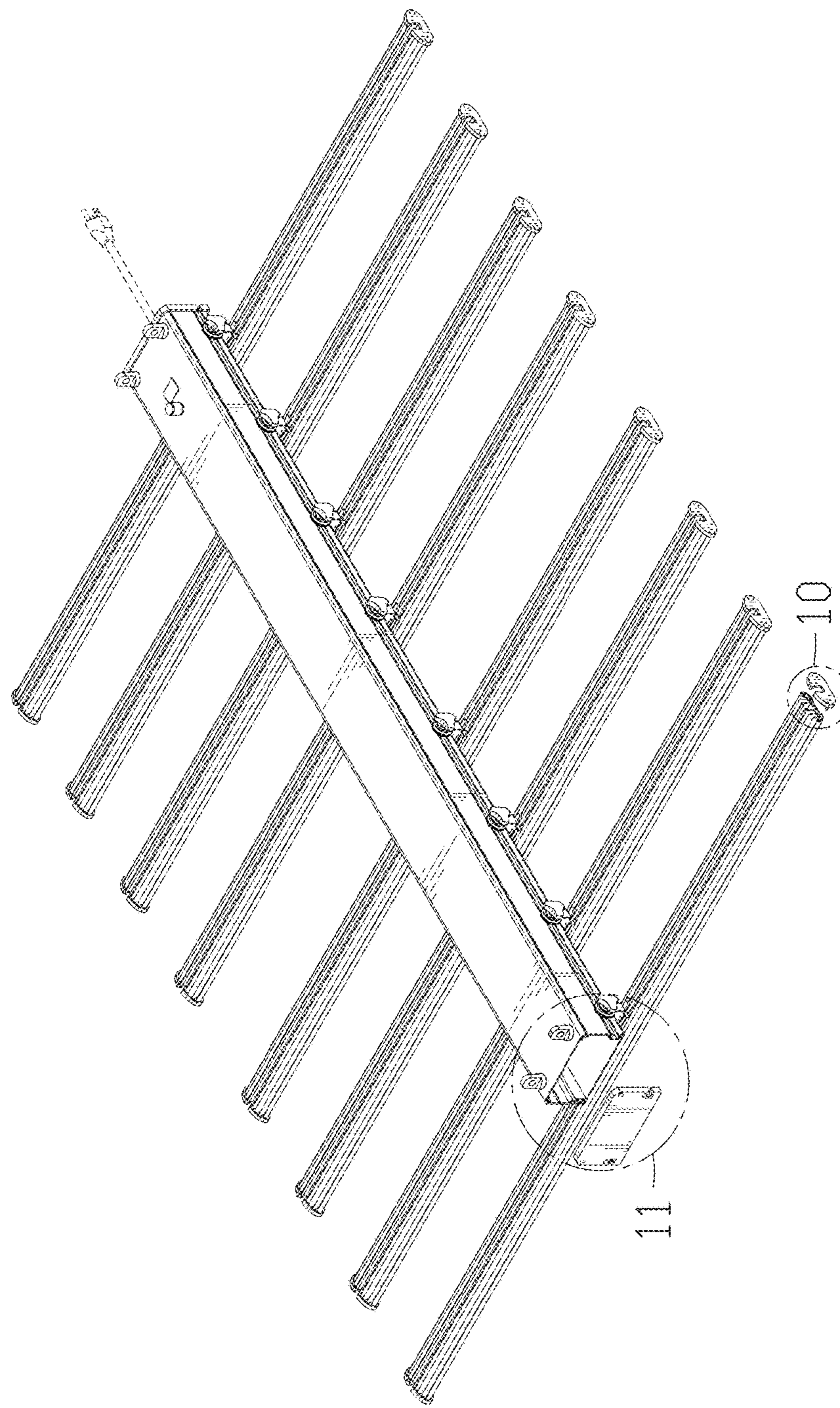


FIG. 9

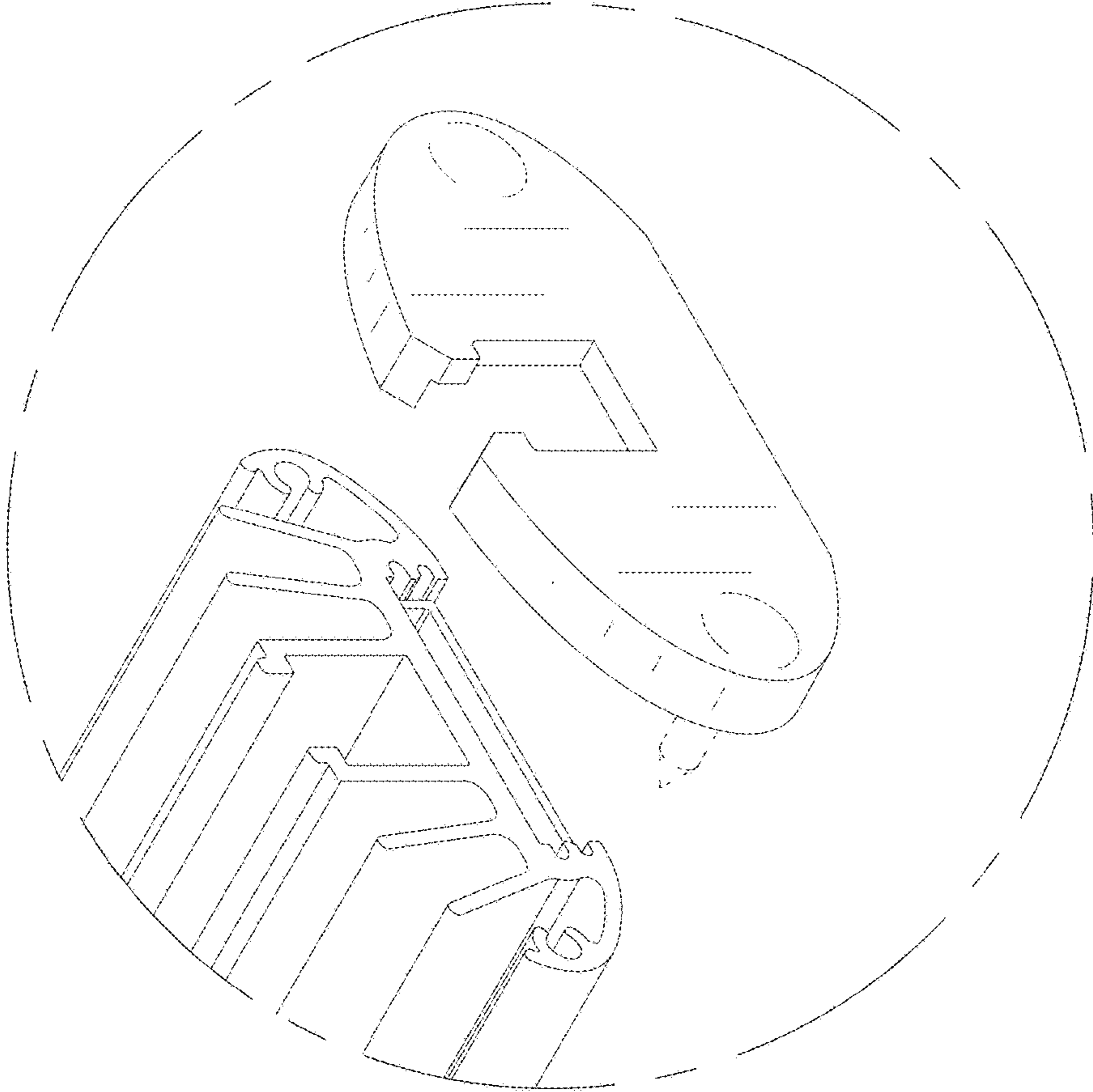


FIG. 10

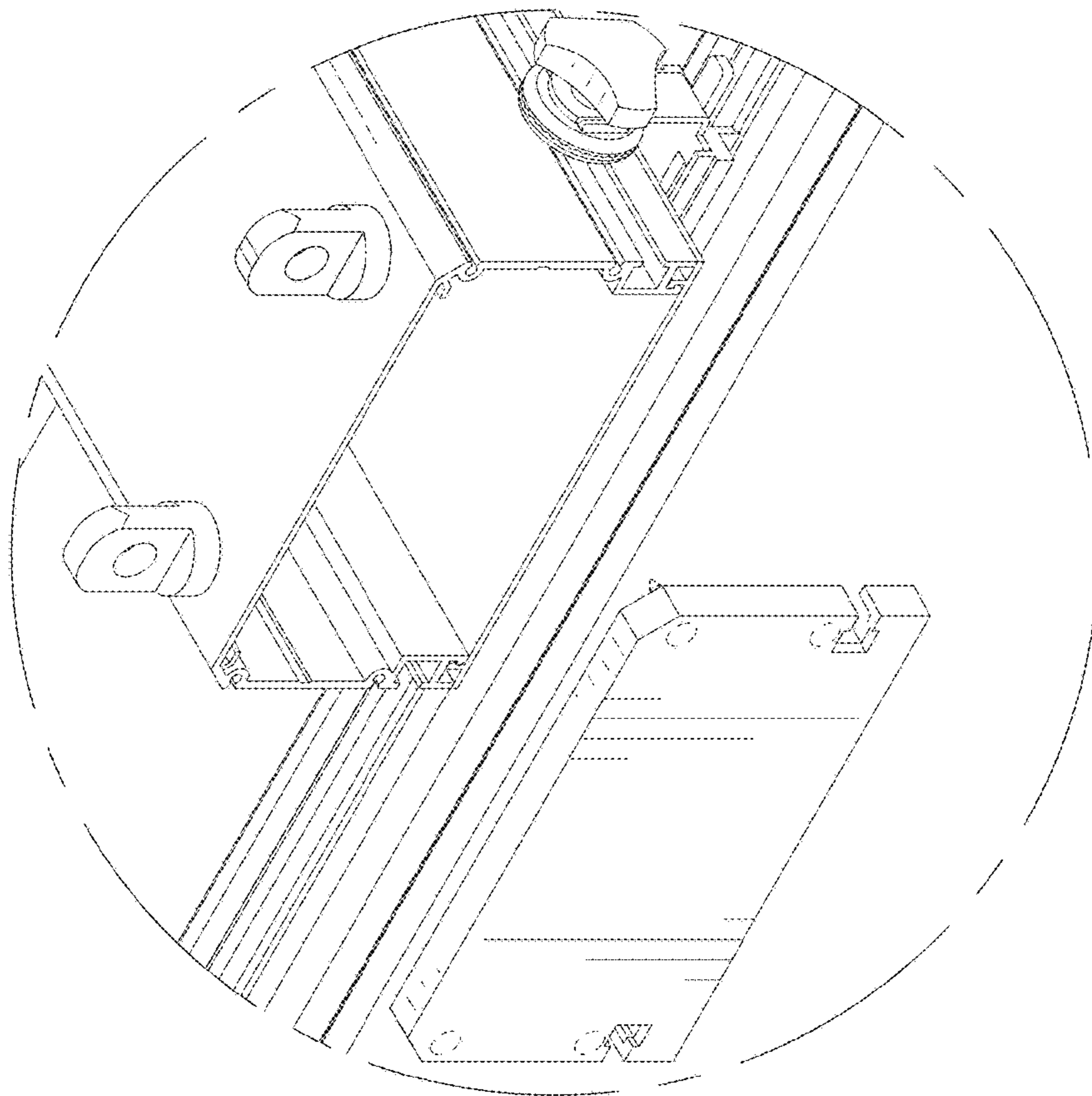


FIG. 11