



US00D868336S

(12) **United States Design Patent** (10) **Patent No.:** **US D868,336 S**  
**Li** (45) **Date of Patent:** **\*\* Nov. 26, 2019**

(54) **HIGH BAY LAMP**

(71) Applicant: **Torshare Ltd.**, Shenzhen, Guangdong (CN)

(72) Inventor: **Mantie Li**, Guangdong (CN)

(73) Assignee: **Torshare Ltd.**, Shenzhen (CN)

(\*\*) Term: **15 Years**

(21) Appl. No.: **29/657,870**

(22) Filed: **Jul. 26, 2018**

(51) **LOC (12) Cl.** ..... **26-05**

(52) **U.S. Cl.**  
USPC ..... **D26/72**

(58) **Field of Classification Search**  
USPC ..... D26/71, 72, 76, 78, 88, 89, 118  
See application file for complete search history.

(56) **References Cited**

**U.S. PATENT DOCUMENTS**

D190,827 S *	7/1961	Phillips	.....	D26/89
D635,292 S *	3/2011	Chiang	.....	D26/88
D642,316 S *	7/2011	Zheng	.....	D26/2
D651,735 S *	1/2012	Dai	.....	D26/72
D663,465 S *	7/2012	Couvreur	.....	D26/72
D702,867 S *	4/2014	Kim	.....	D26/72
D811,642 S *	2/2018	Liang	.....	D26/72
D845,532 S *	4/2019	Zhu	.....	D26/72
2011/0002124 A1 *	1/2011	Chang	.....	F21V 21/14 362/294
2013/0215605 A1 *	8/2013	Wu	.....	F21S 8/061 362/184

2014/0021884 A1 *	1/2014	Fetterly	.....	H05B 33/0854 315/297
2016/0363300 A1 *	12/2016	Ma	.....	F21V 21/108
2017/0153016 A1 *	6/2017	Lee	.....	F21V 29/77

**OTHER PUBLICATIONS**

150W UFO High Bay LED Light sold by Faithsail at amazon.com Apr. 17, 2018. (Year: 2018).\*  
150W UFO LED High Bay Light Fixture, Warehouse/Outdoor Area Light sold by Hykolity at amazon.com Apr. 8, 2017. (Year: 2017).\*  
150W UFO LED High Bay Light / Waterproof Commercial Warehouse/ Workshop/Wet Location Area Light sold by BeMAX at amazon.com Apr. 25, 2019. (Year: 2019).\*

\* cited by examiner

*Primary Examiner* — Clare E Heflin

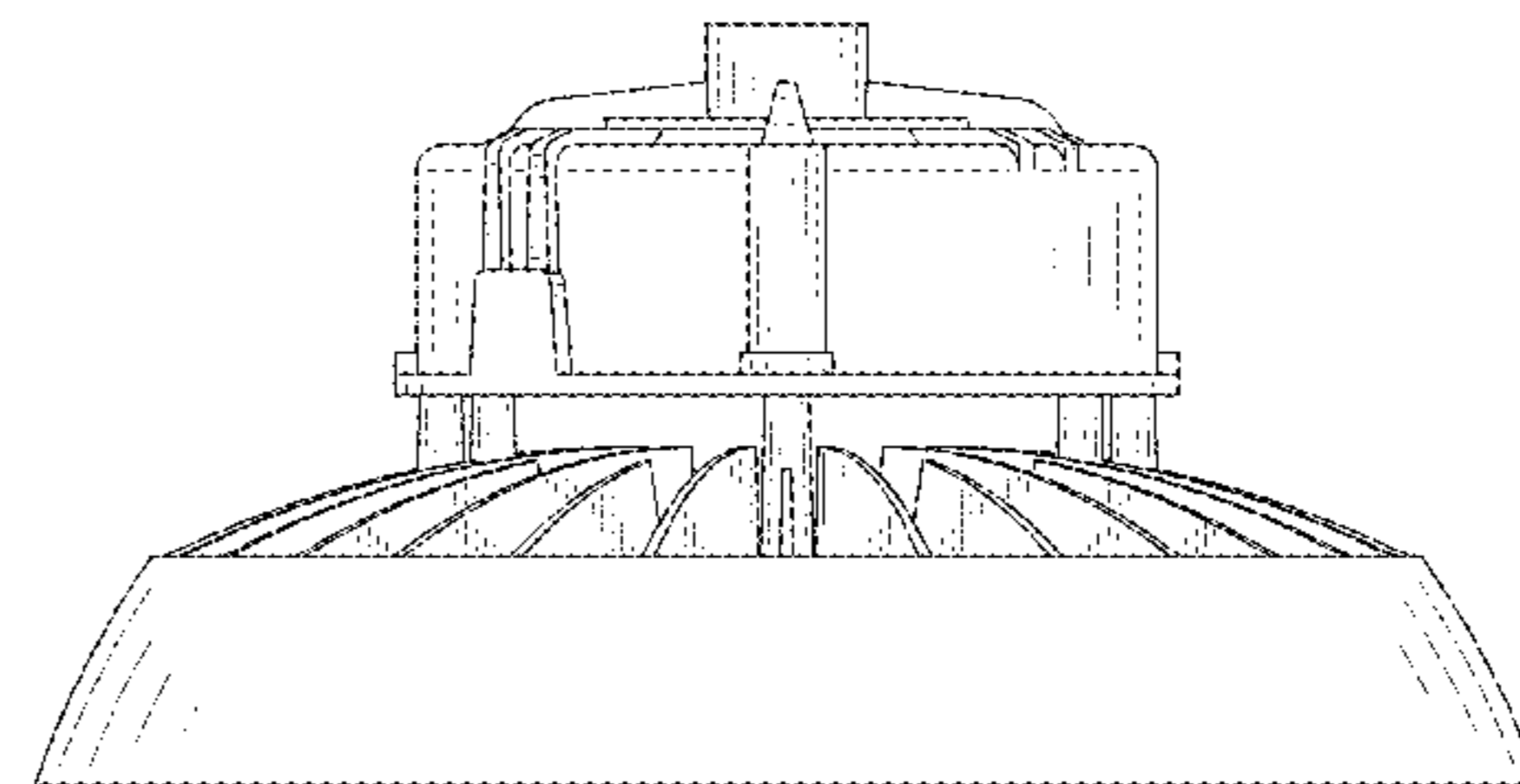
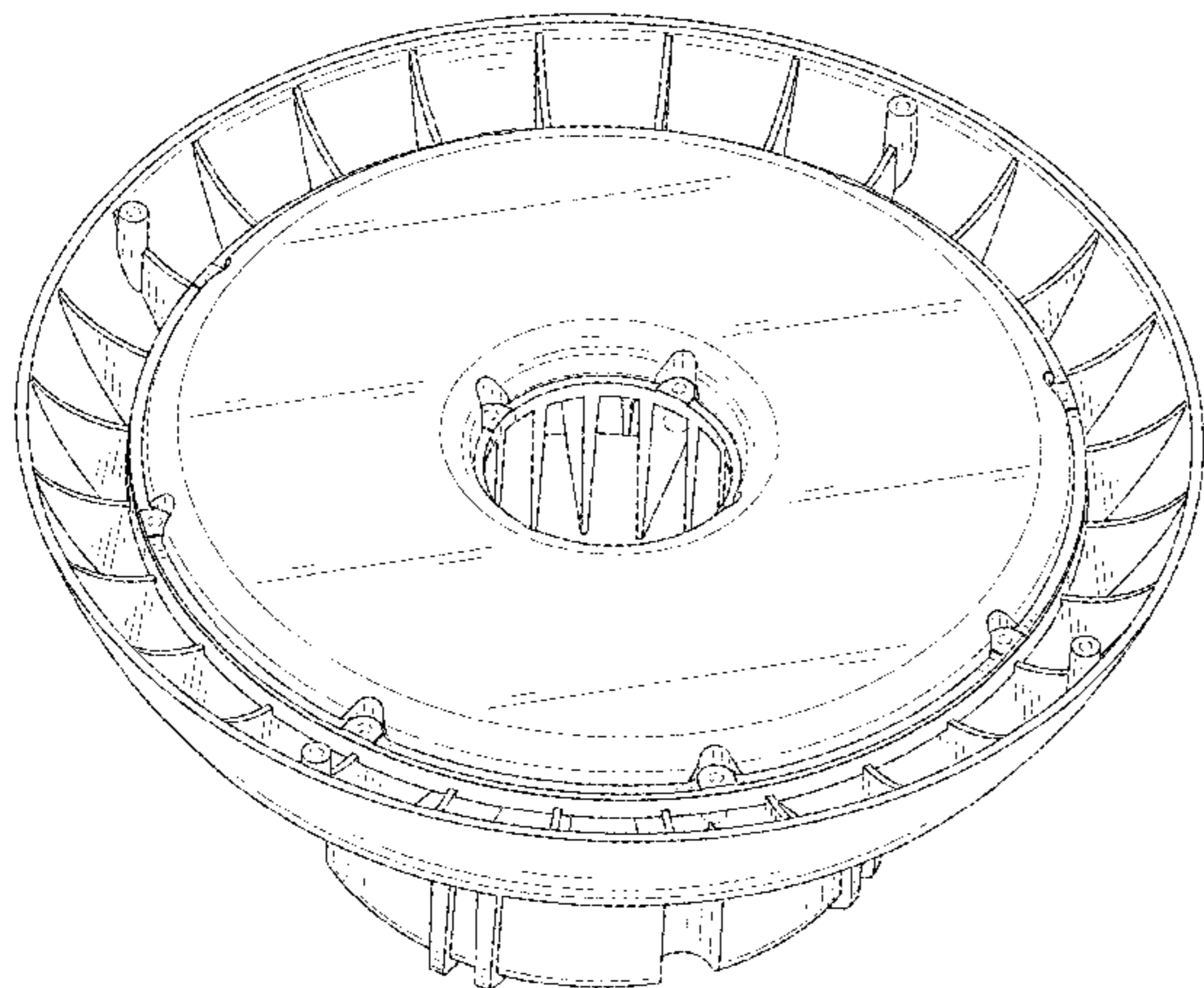
(57) **CLAIM**

The ornamental design for a high bay lamp, as shown and described.

**DESCRIPTION**

FIG. 1 is a top, front and right side perspective view of a high bay lamp showing my new design;  
FIG. 2 is a bottom perspective view thereof;  
FIG. 3 is a front elevational view thereof;  
FIG. 4 is a rear elevational view thereof;  
FIG. 5 is a left side view thereof;  
FIG. 6 is a right side view thereof;  
FIG. 7 is a top plan view thereof; and,  
FIG. 8 is a bottom plan view thereof.  
The broken lines in the drawings illustrate portions of the high bay lamp which form no part of the claimed design.

**1 Claim, 8 Drawing Sheets**



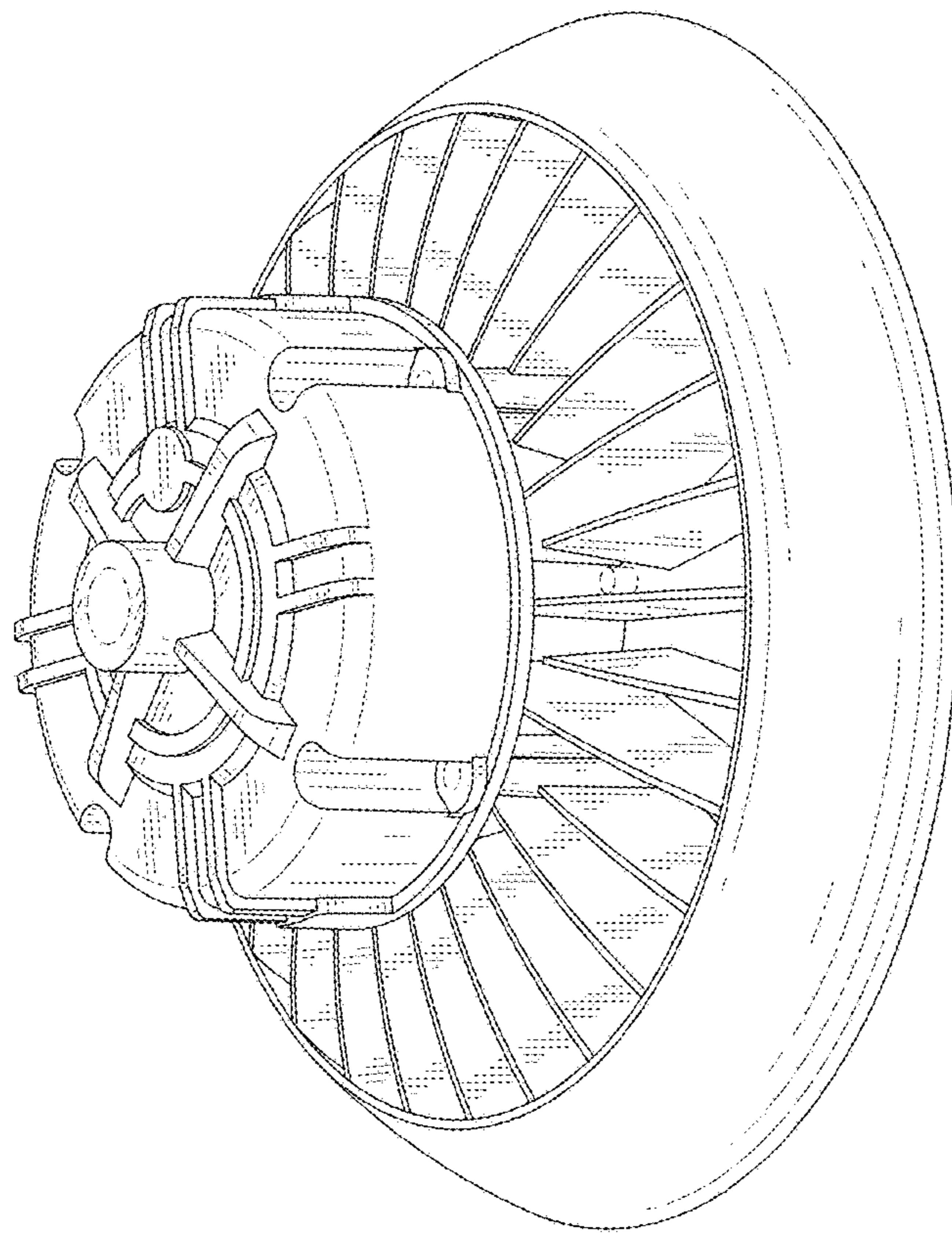


FIG. 1

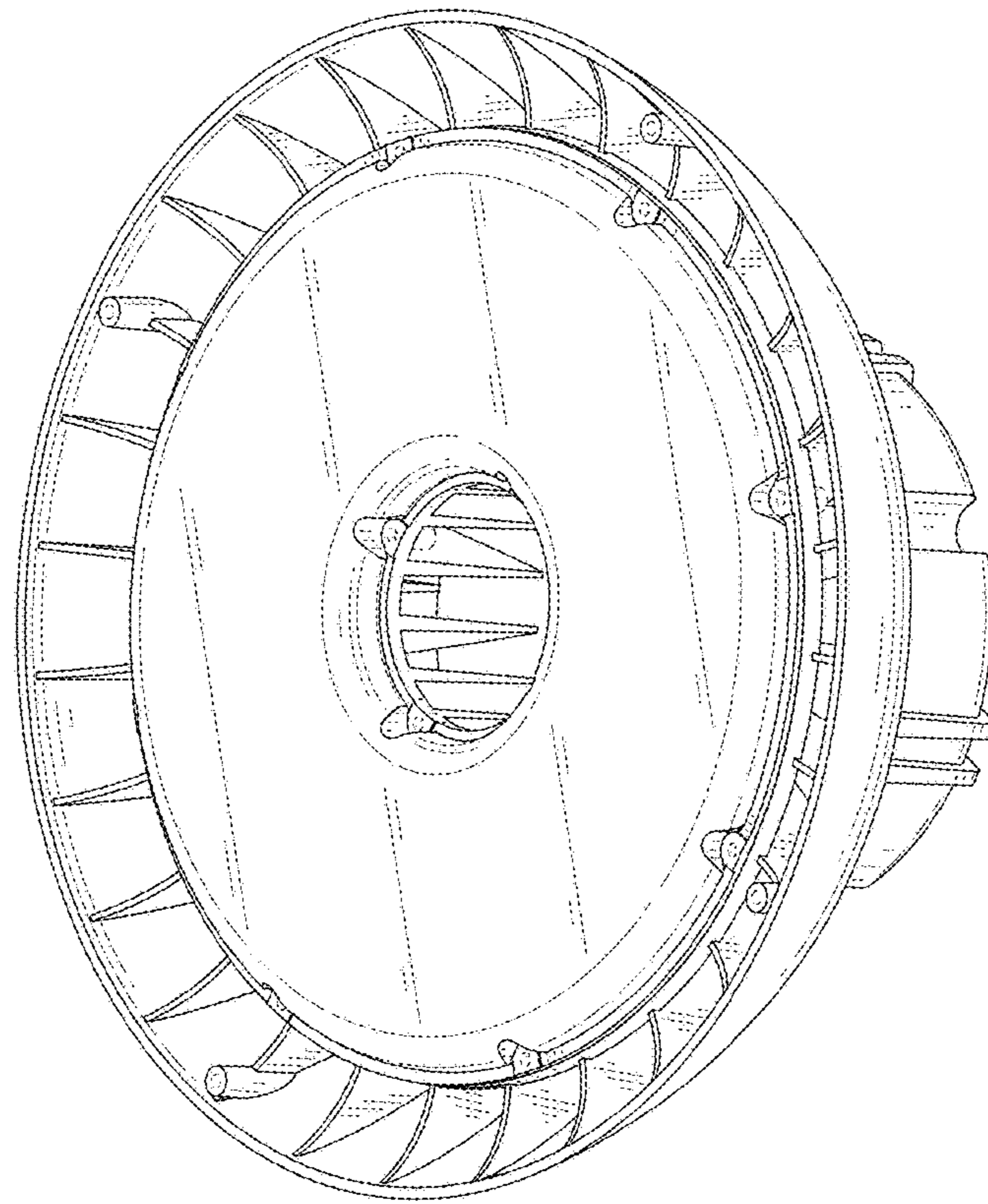


FIG. 2

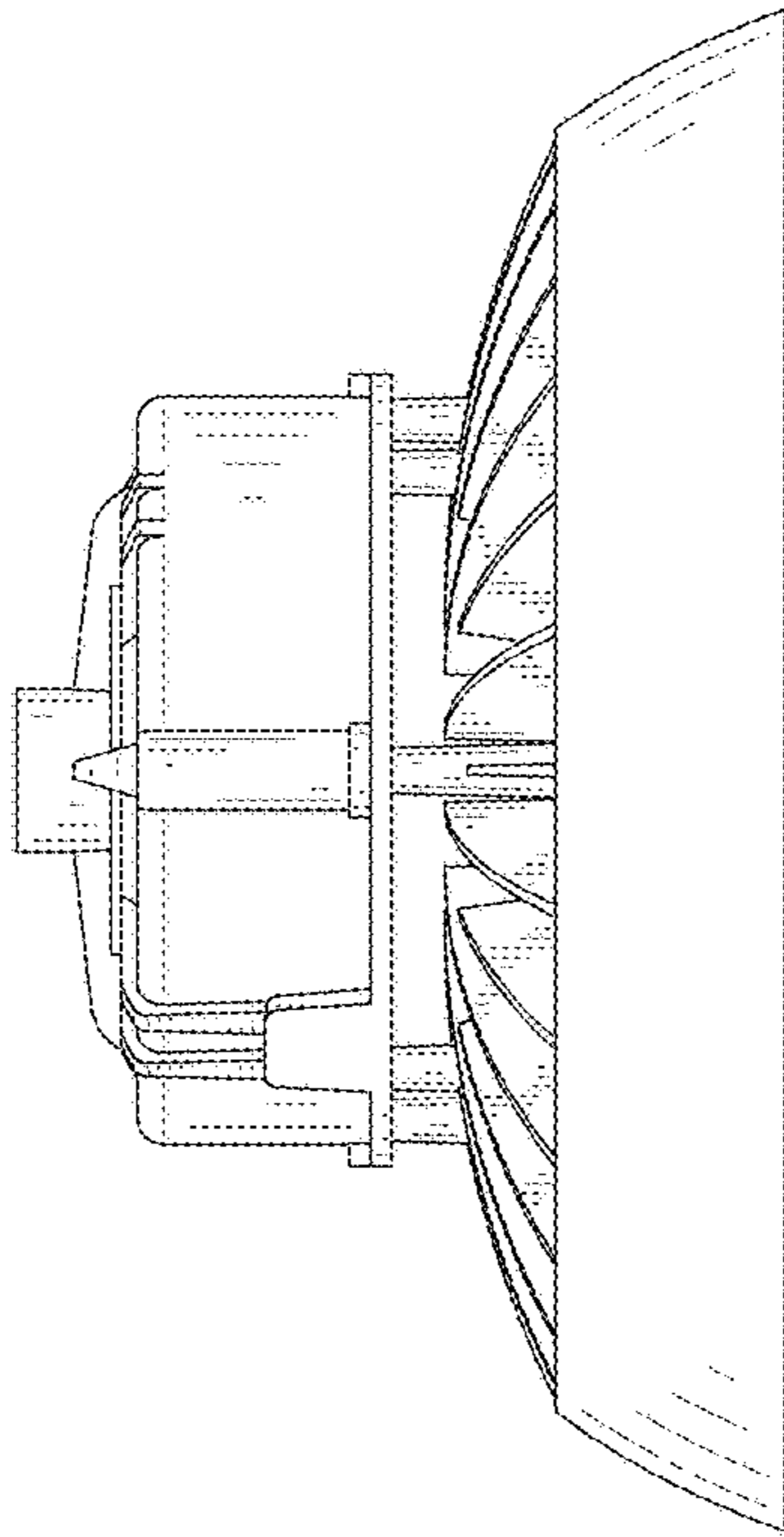


FIG. 3

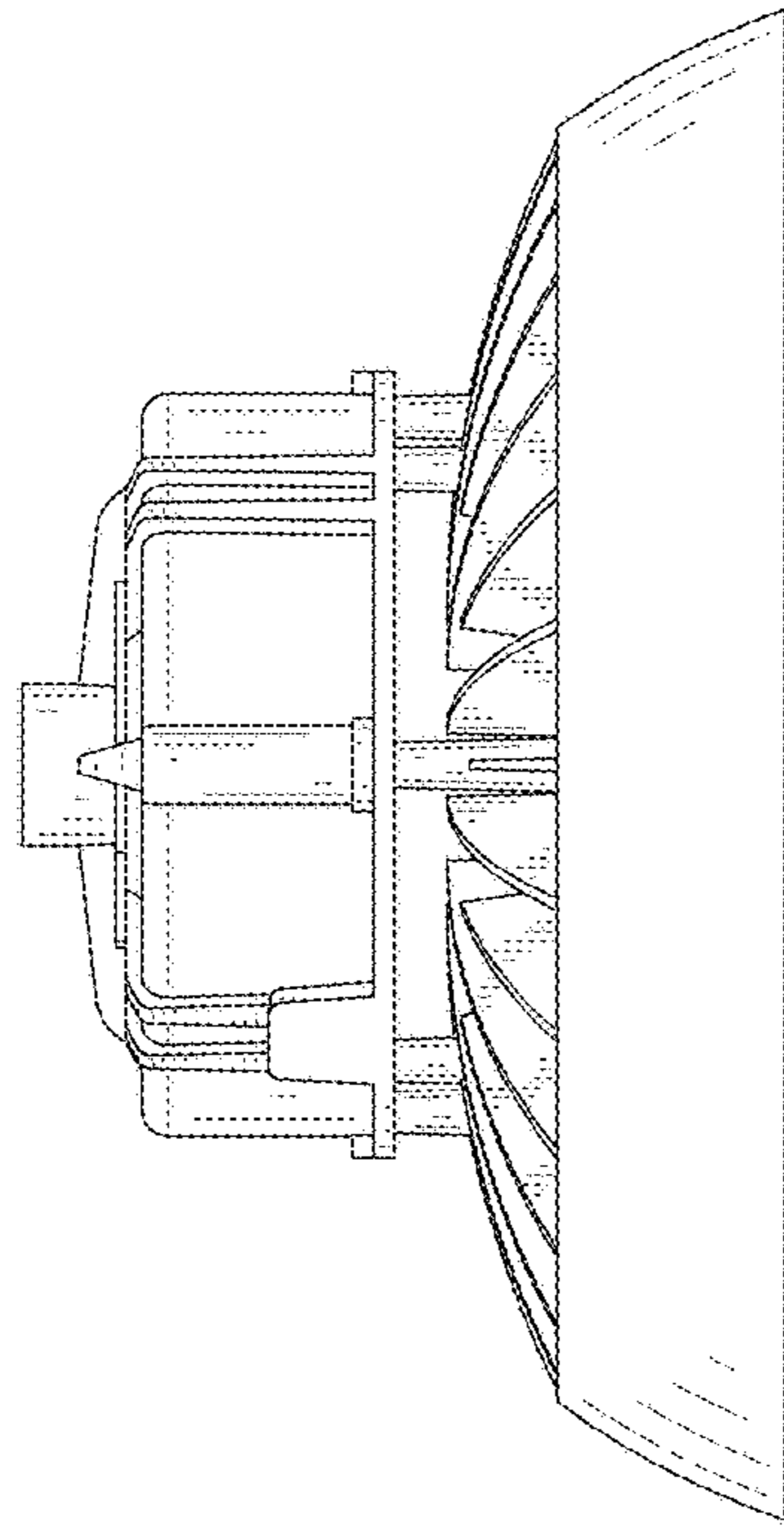


FIG. 4



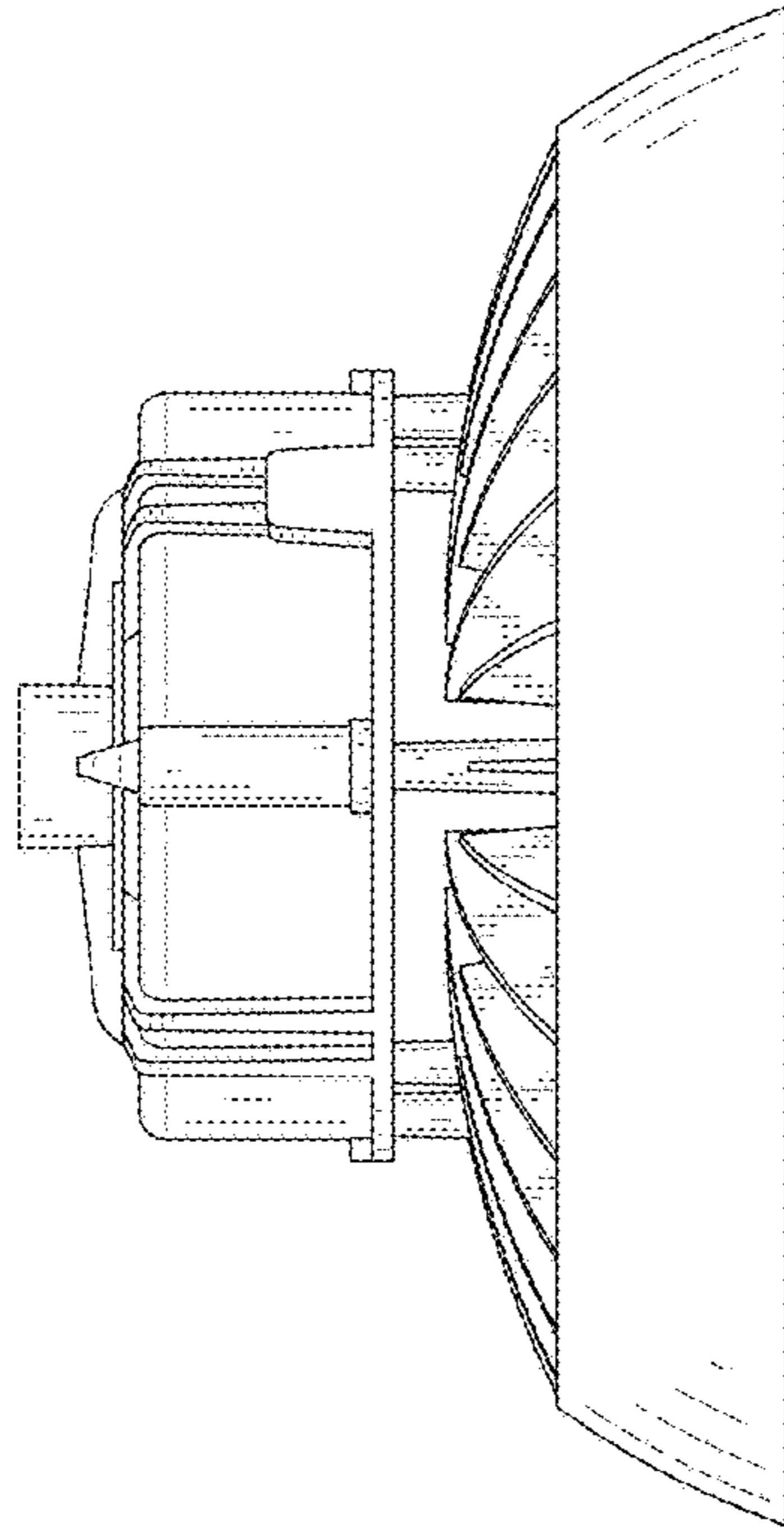


FIG. 5

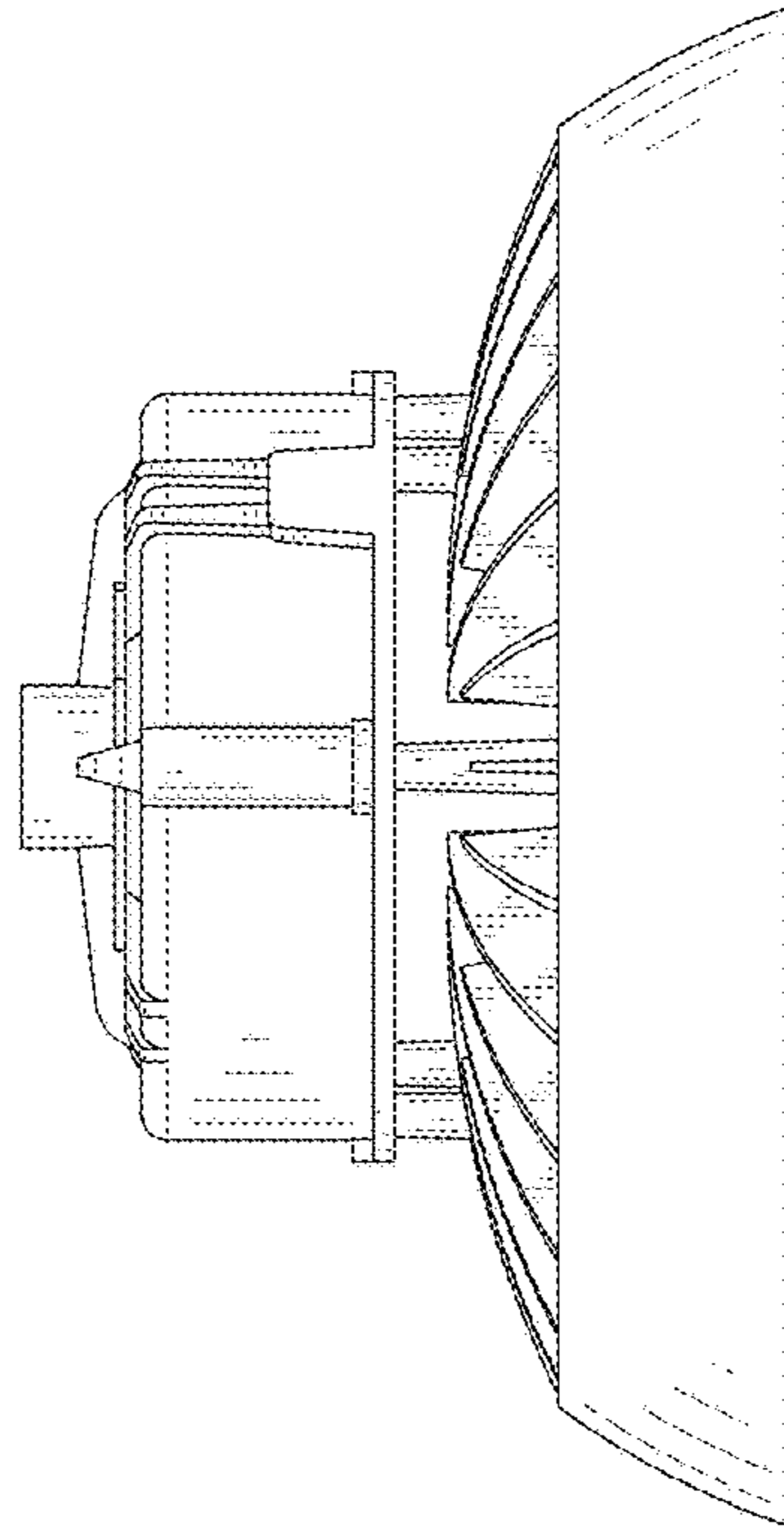


FIG. 6

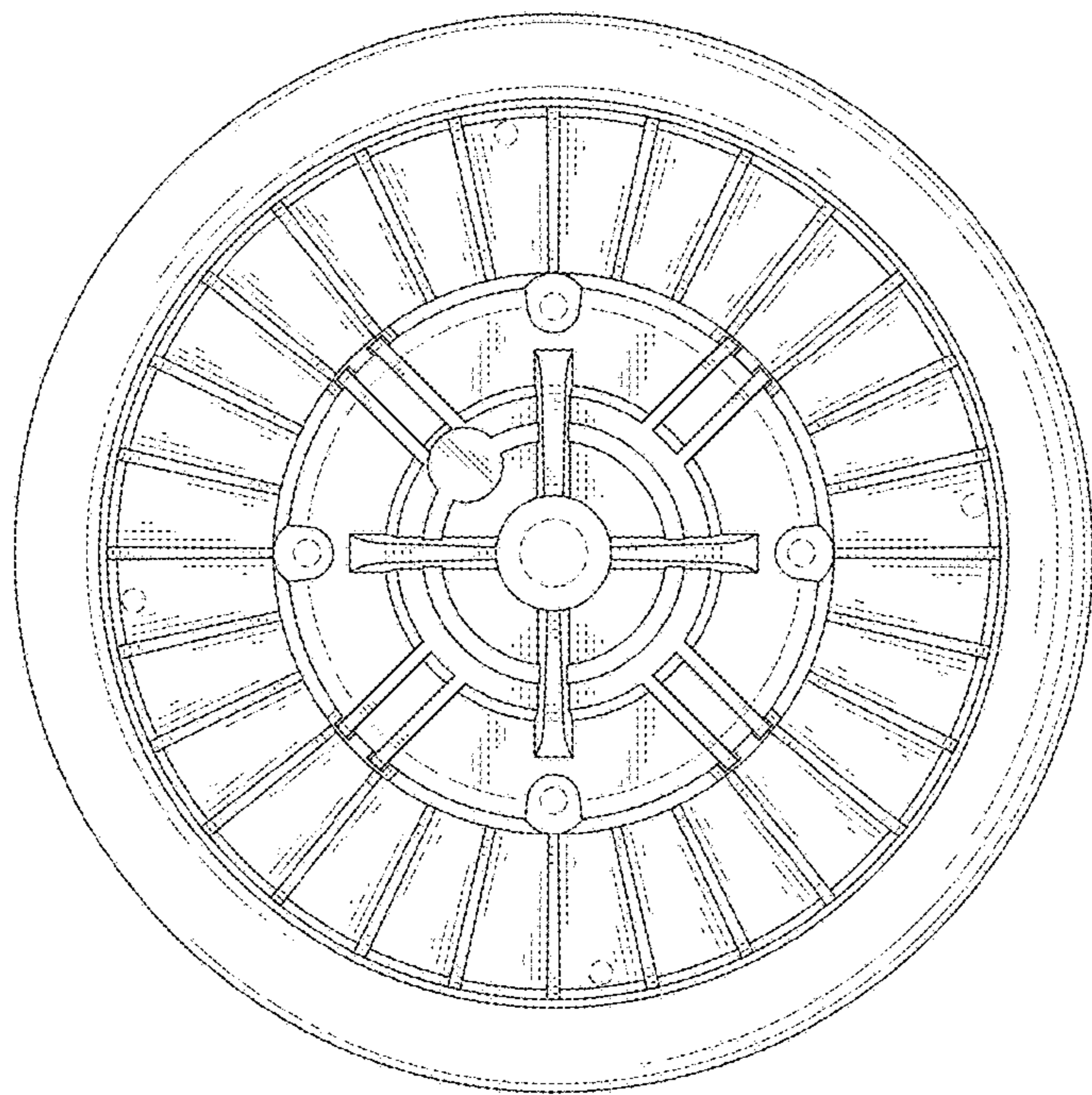


FIG. 7



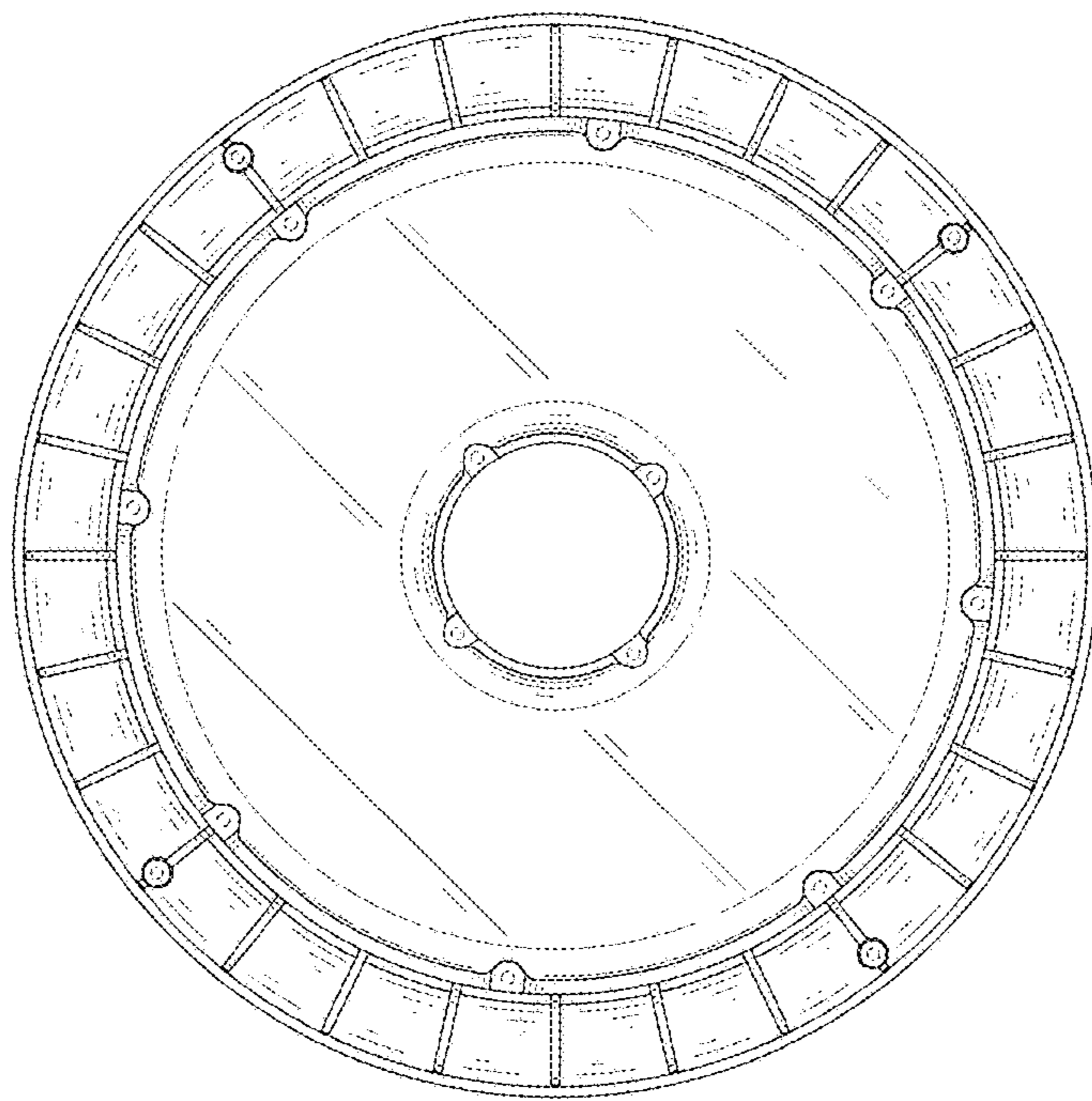


FIG. 8