



US00D868334S

(12) **United States Design Patent**
Li

(10) **Patent No.:** **US D868,334 S**

(45) **Date of Patent:** **** Nov. 26, 2019**

(54) **HIGH BAY LAMP**

(71) Applicant: **Torshare Ltd.**, Shenzhen, Guangdong (CN)

(72) Inventor: **Mantie Li**, Guangdong (CN)

(73) Assignee: **Torshare Ltd.**, Shenzhen (CN)

(**) Term: **15 Years**

(21) Appl. No.: **29/656,343**

(22) Filed: **Jul. 11, 2018**

(51) **LOC (12) Cl.** **26-05**

(52) **U.S. Cl.**
USPC **D26/72**

(58) **Field of Classification Search**
USPC D26/71, 72, 76, 78, 88, 89, 118
See application file for complete search history.

(56) **References Cited**

U.S. PATENT DOCUMENTS

D302,737 S *	8/1989	Hoke	D26/88
D583,980 S *	12/2008	Guercio	D26/88
D707,382 S *	6/2014	Ni	D26/72
D803,453 S *	11/2017	Engle	D26/72
D845,532 S *	4/2019	Zhu	D26/72
2006/0291219 A1 *	12/2006	Chen	F21S 8/061 362/382
2011/0002124 A1 *	1/2011	Chang	F21V 21/14 362/294
2014/0199168 A1 *	7/2014	Spiro	F04D 29/582 416/5

2014/0268730 A1 *	9/2014	Lui	F21V 23/008 362/227
2017/0153016 A1 *	6/2017	Lee	F21V 29/77
2017/0321874 A1 *	11/2017	Bryant	F21V 29/777

OTHER PUBLICATIONS

150 Watt LED High Bay UFO Light sold by LEDMyplace at amazon.com Nov. 20, 2017. (Year: 2017).*
240W Led High Bay with Mounting Bracket sold by DEPHEN at amazon.com Apr. 10, 2017. (Year: 2017).*
LED UFO High Bay Light with Acrylic reflector sold by HYPERLITE at amazon.com Sep. 12, 2017. (Year: 2017).*

* cited by examiner

Primary Examiner — Clare E Heflin

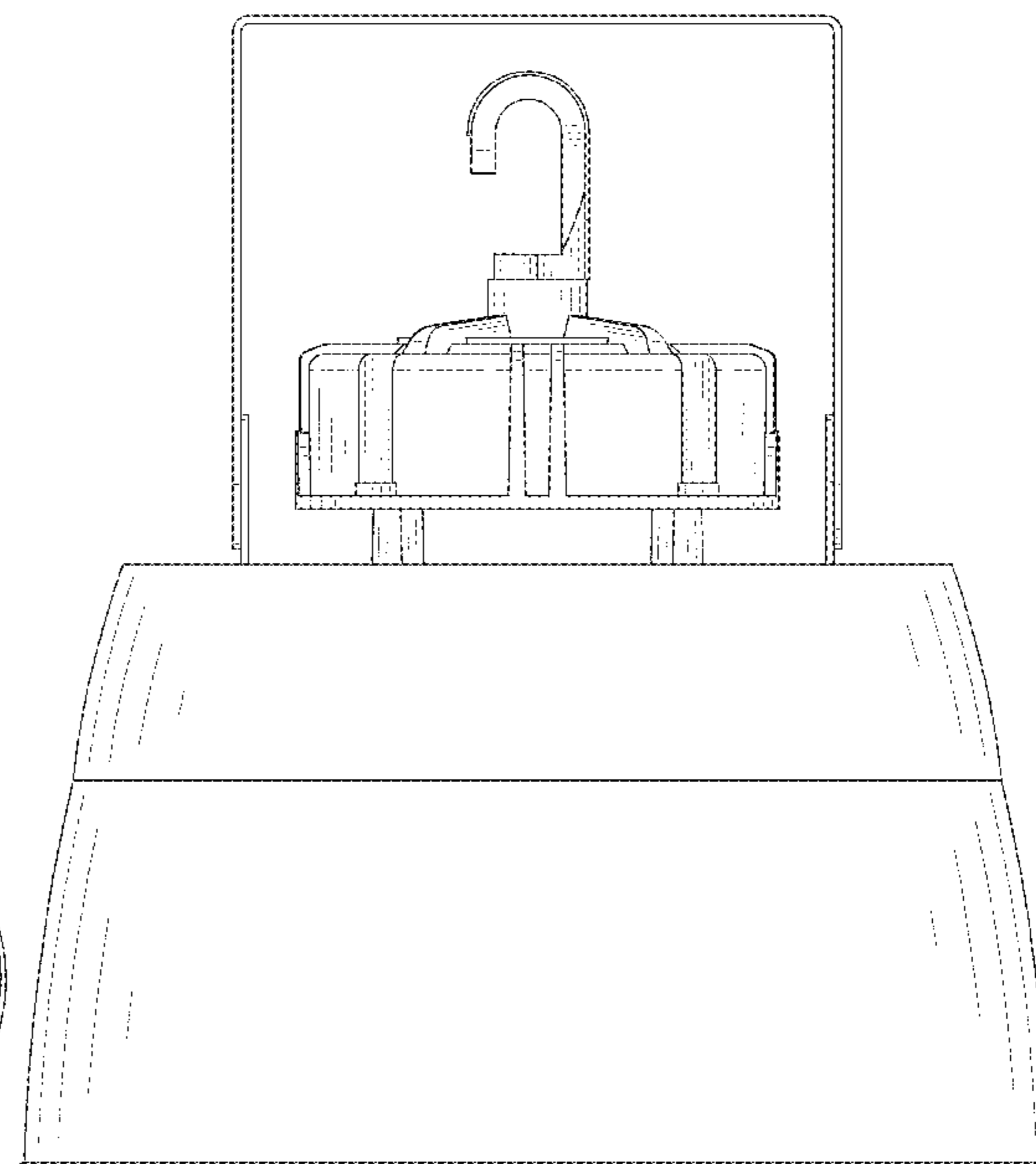
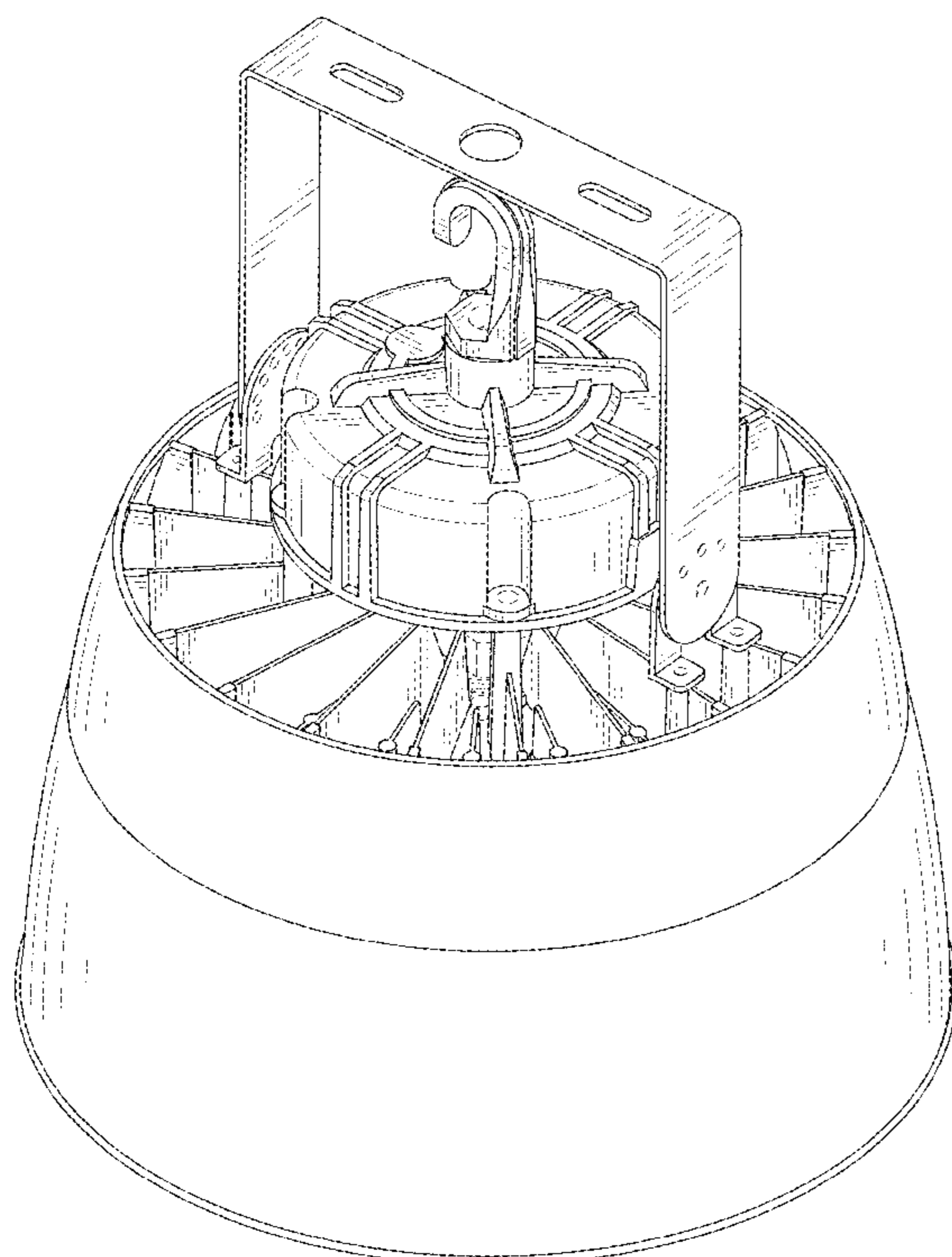
(57) **CLAIM**

The ornamental design for a high bay lamp, as shown and described.

DESCRIPTION

FIG. 1 is a top perspective view of a high bay lamp showing my new design;
FIG. 2 is a bottom perspective view thereof;
FIG. 3 is a front elevational view thereof;
FIG. 4 is a rear elevational view thereof;
FIG. 5 is a left side view thereof;
FIG. 6 is a right side view thereof;
FIG. 7 is a top plan view thereof;
FIG. 8 is a bottom plan view thereof; and,
FIG. 9 is an enlarged view of portion 9 in FIG. 2.
The broken lines in the drawings illustrate portions of the high bay lamp which form no part of the claimed design.

1 Claim, 9 Drawing Sheets



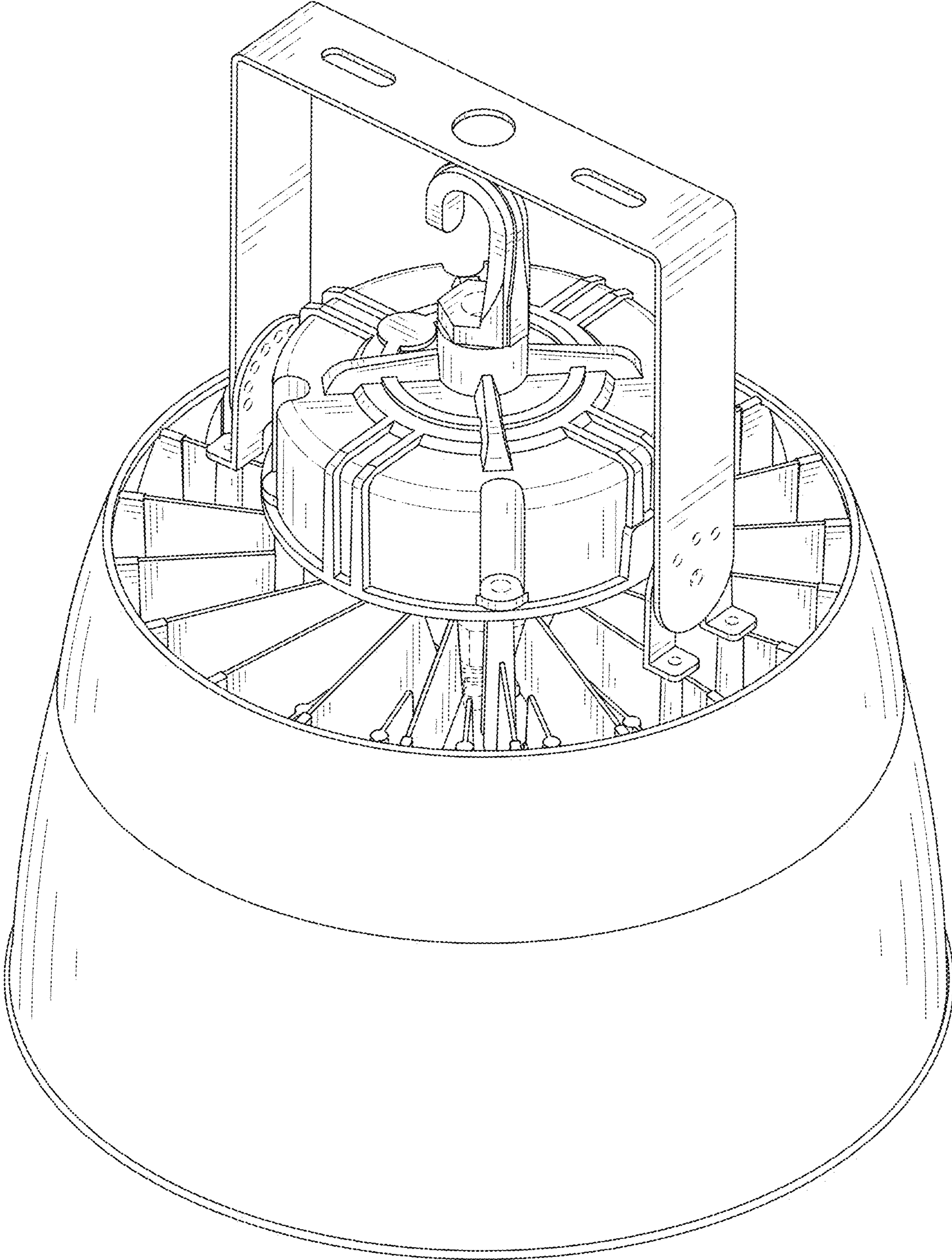


FIG. 1

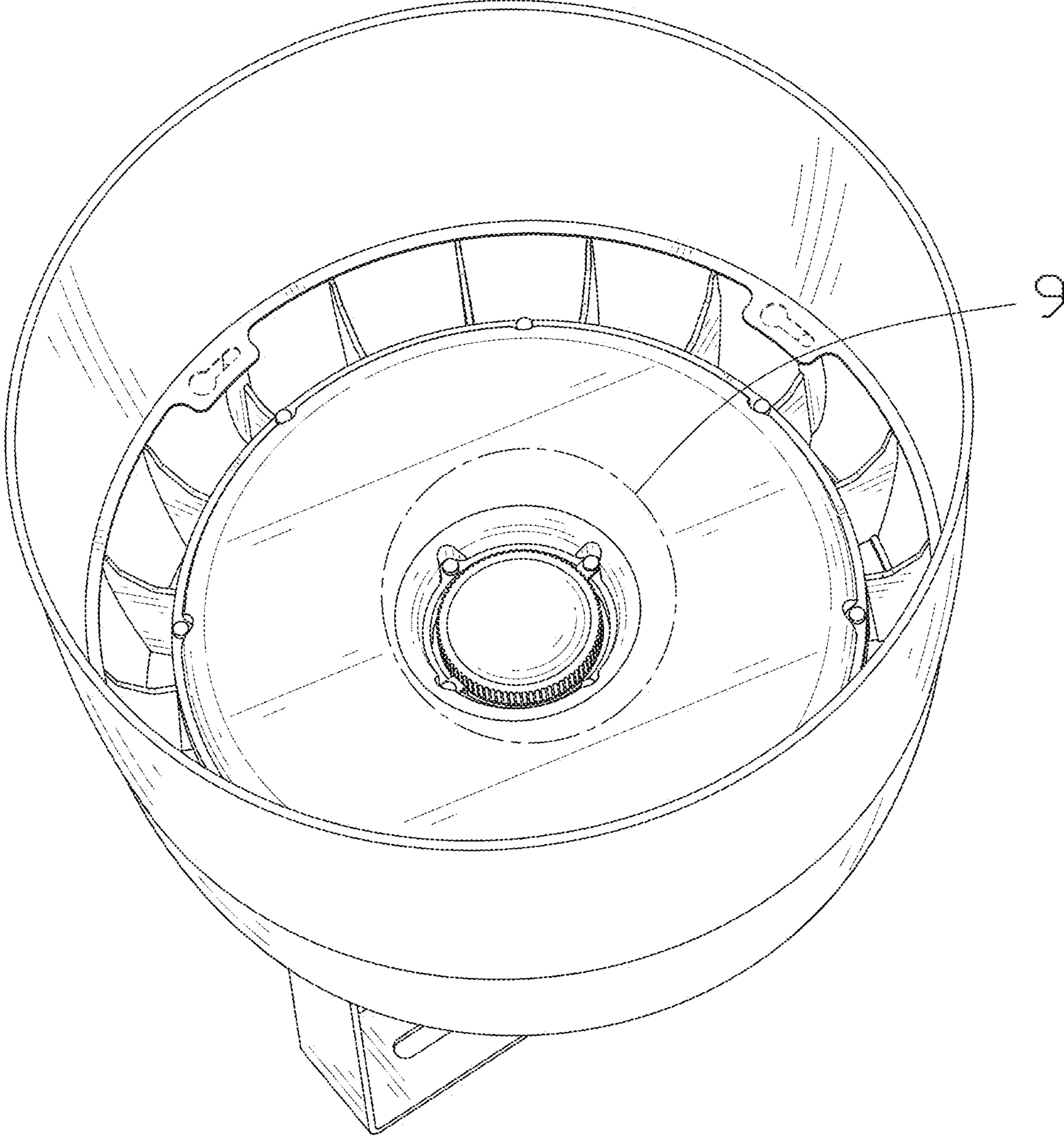


FIG. 2

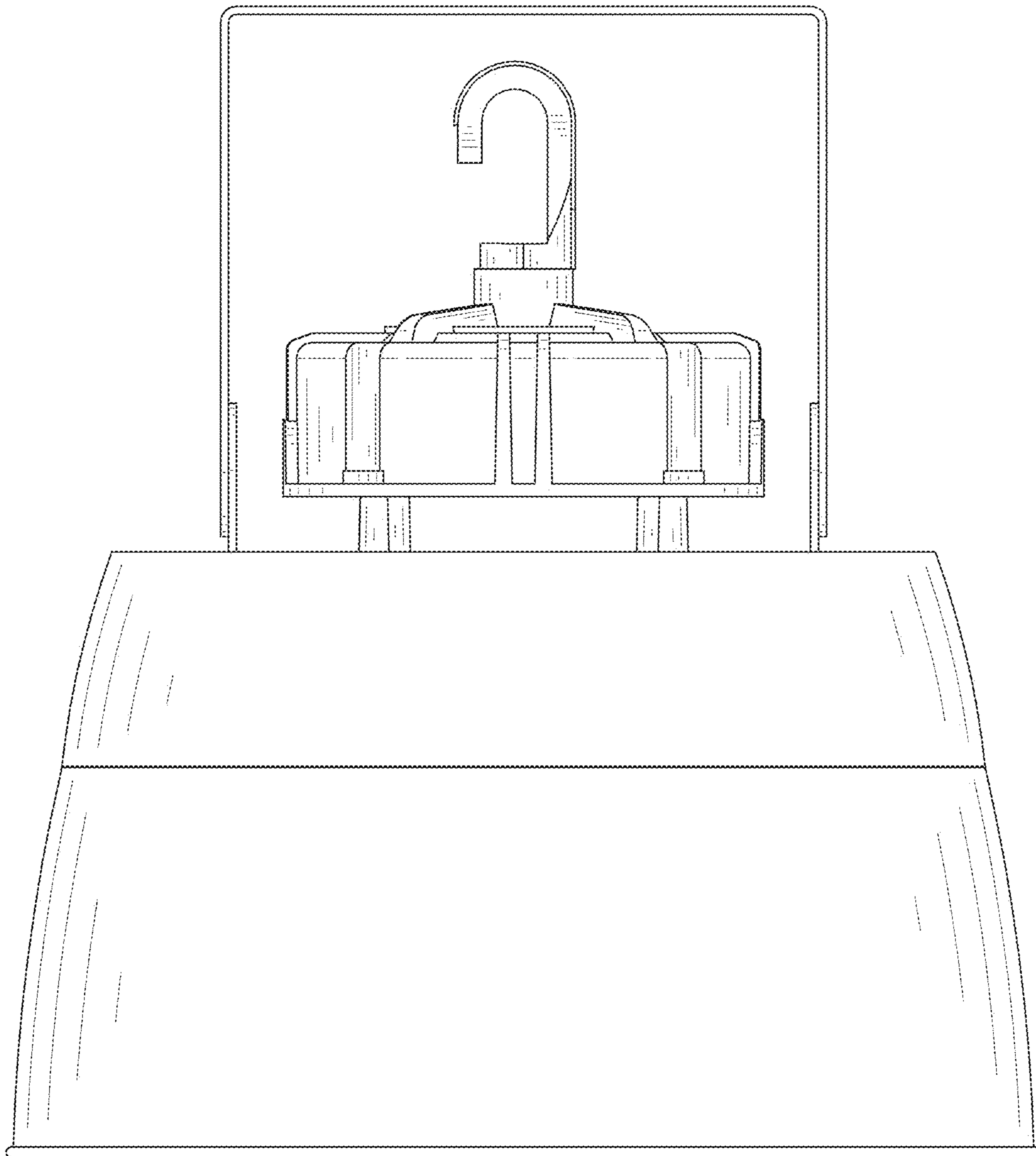


FIG. 3

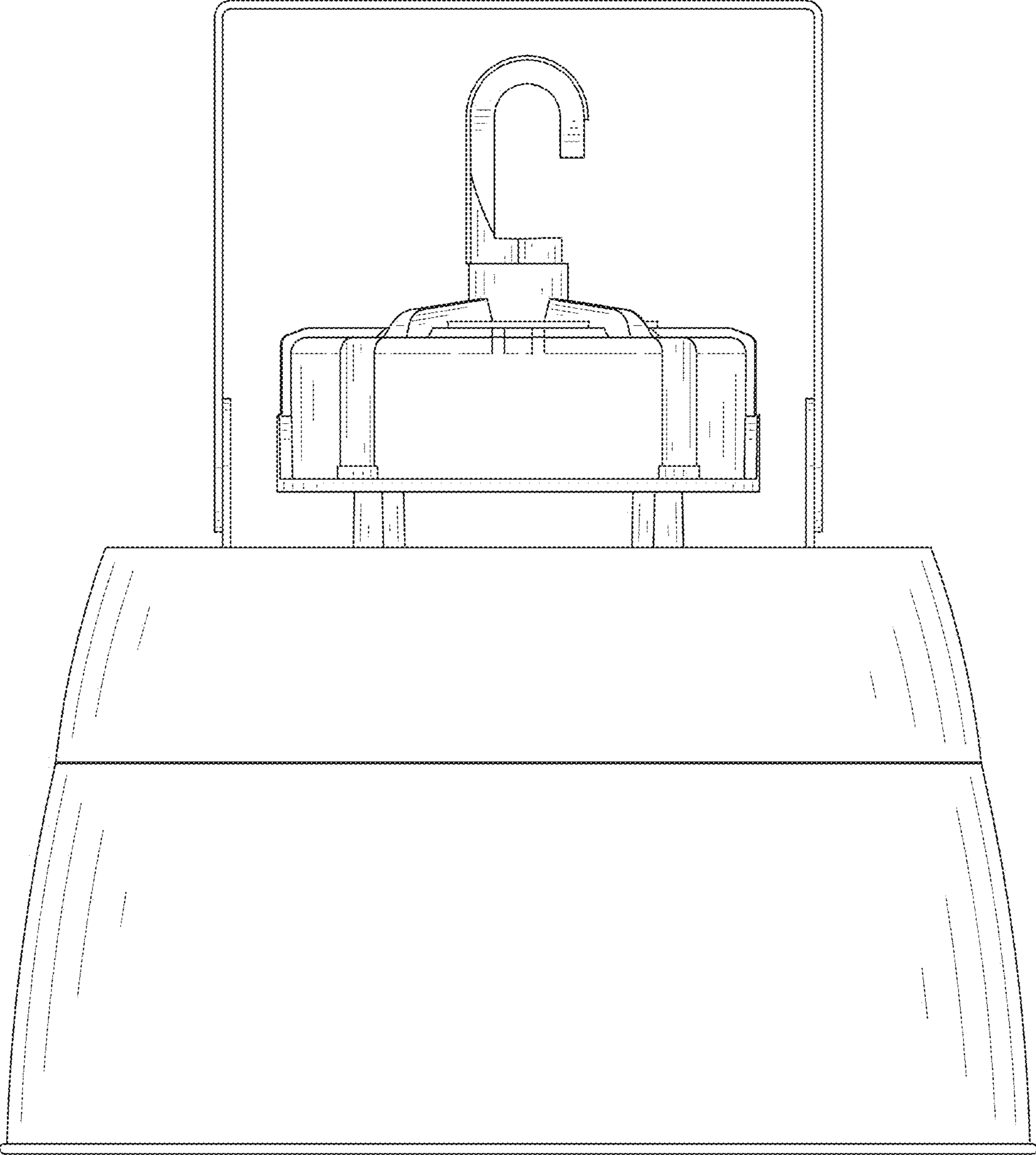


FIG. 4

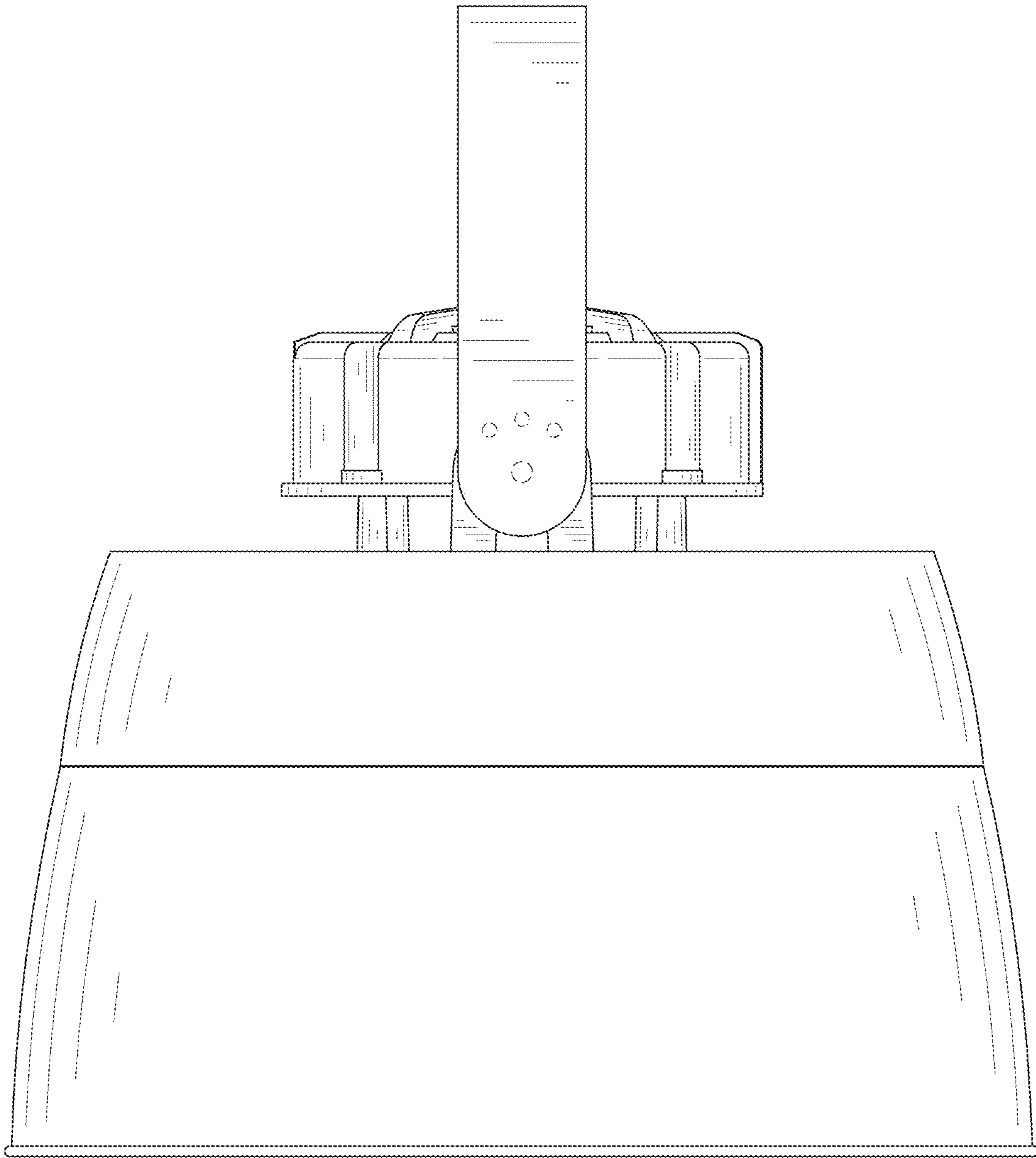


FIG. 5

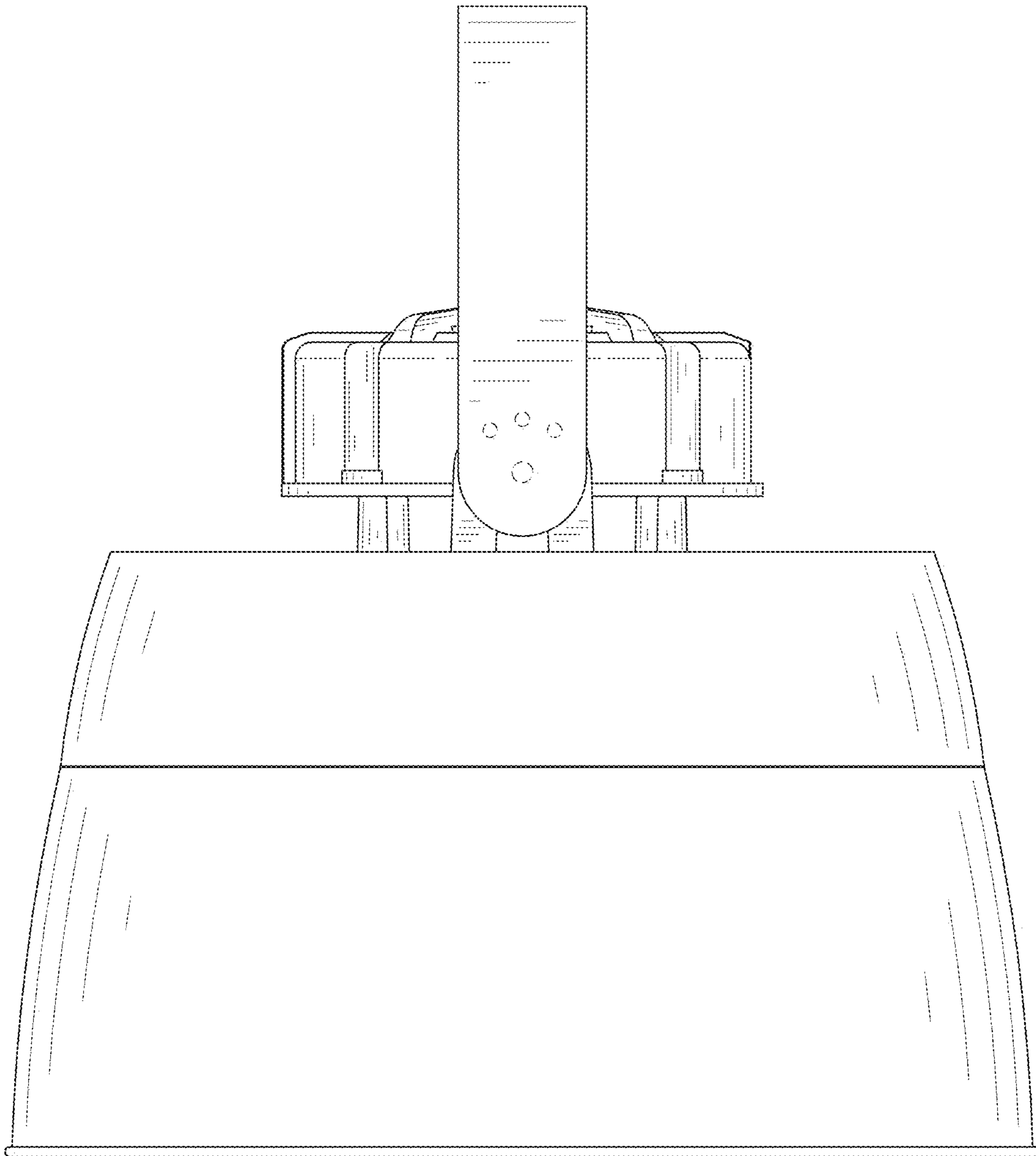


FIG. 6

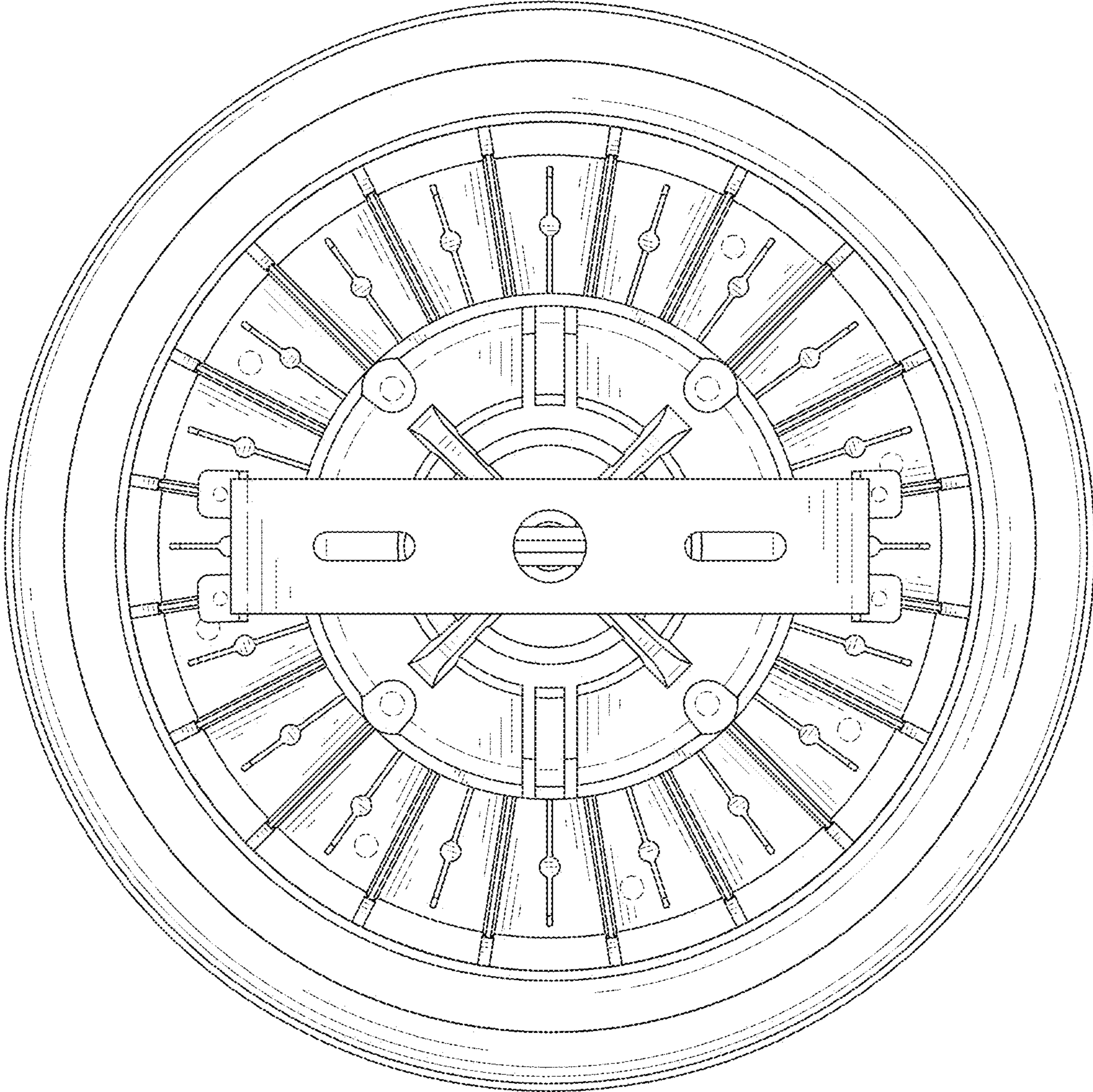


FIG. 7

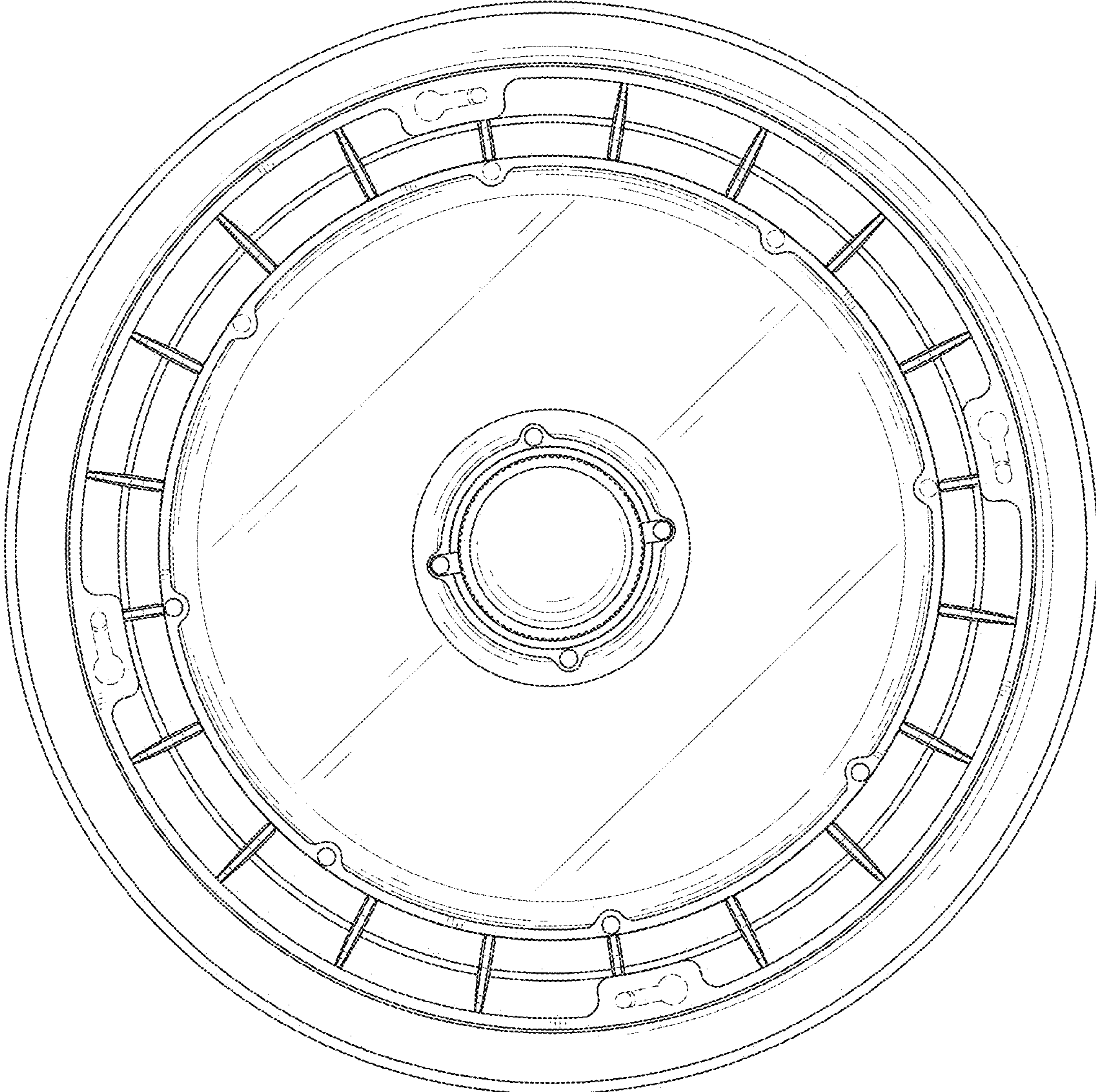


FIG. 8

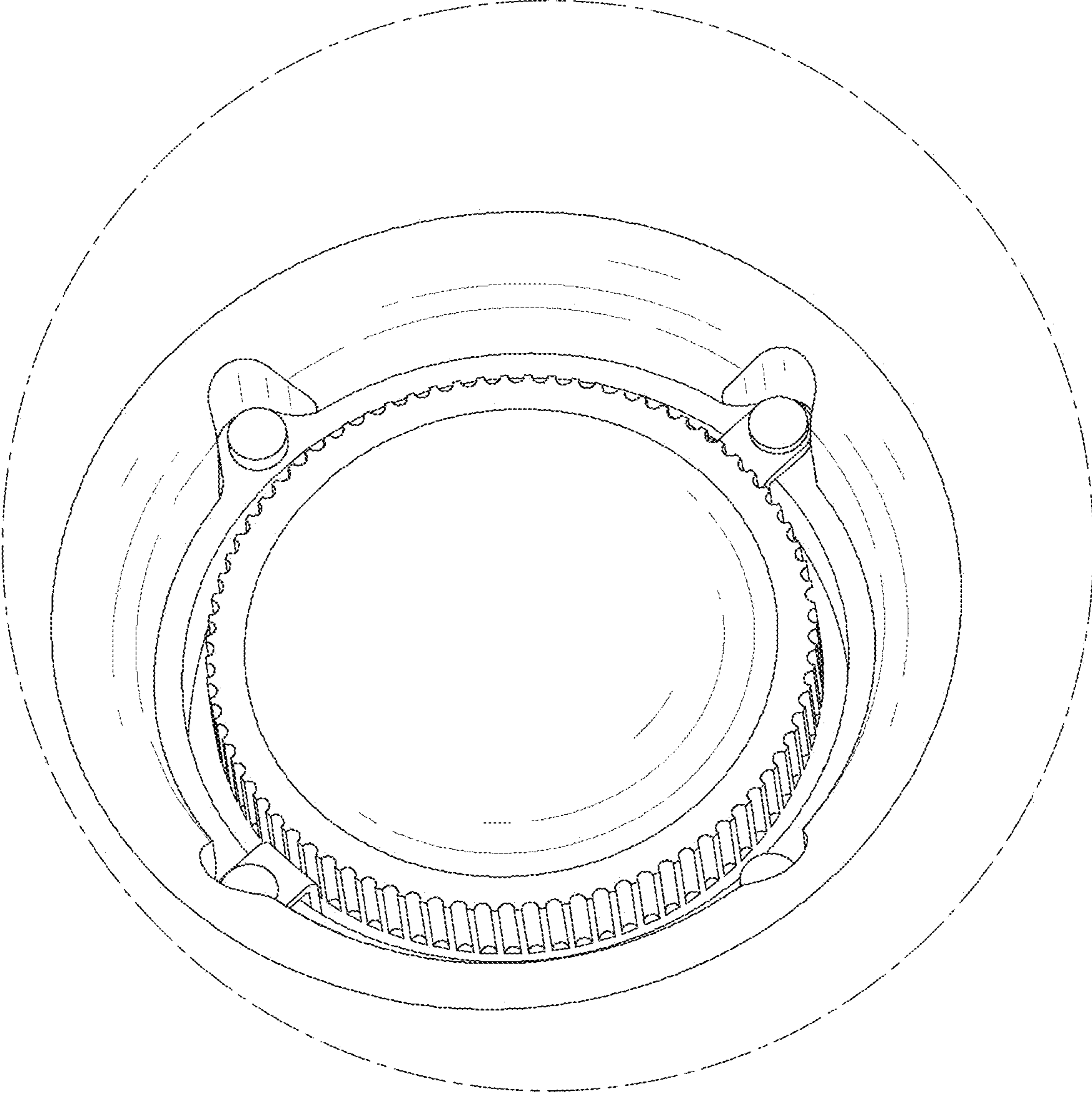


FIG. 9