



US00D868333S

(12) **United States Design Patent** (10) **Patent No.:** **US D868,333 S**
Li (45) **Date of Patent:** **** Nov. 26, 2019**

(54) **HIGH BAY LAMP**
(71) Applicant: **Torshare Ltd.**, Shenzhen, Guangdong (CN)
(72) Inventor: **Mantie Li**, Guangdong (CN)
(73) Assignee: **Torshare Ltd.**, Shenzhen (CN)
(**) Term: **15 Years**
(21) Appl. No.: **29/656,341**
(22) Filed: **Jul. 11, 2018**
(51) **LOC (12) Cl.** **26-05**
(52) **U.S. Cl.**
USPC **D26/72; D26/88**
(58) **Field of Classification Search**
USPC D26/71, 72, 76, 78, 88, 89, 118
See application file for complete search history.

(56) **References Cited**

U.S. PATENT DOCUMENTS

D242,943 S * 1/1977 Lazerson D26/88
D509,617 S * 9/2005 Benghozi D26/74
7,645,053 B2 * 1/2010 Machi B64D 47/06
362/241
D627,502 S * 11/2010 Zheng D26/72
D635,292 S * 3/2011 Chiang D26/88
D773,103 S * 11/2016 Recker D26/89
D789,585 S * 6/2017 Ye D26/72
D796,722 S * 9/2017 Zhu D26/72
D811,642 S * 2/2018 Liang D26/72

2013/0215605 A1 * 8/2013 Wu F21S 8/061
362/184
2017/0016599 A1 * 1/2017 Wang F21S 9/03
2017/0146225 A1 * 5/2017 Chien F21V 29/77
2018/0220508 A1 * 8/2018 Pilat F21S 8/061

OTHER PUBLICATIONS

150W UFO LED High Bay Light Fixture sold by Hykolity at amazon.com Apr. 8, 2017. (Year: 2017).*
UFO High Bay LED Lighting Fixture sold by Hypericon at amazon.com Mar. 12, 2018. (Year: 2018).*

* cited by examiner

Primary Examiner — Clare E Heflin

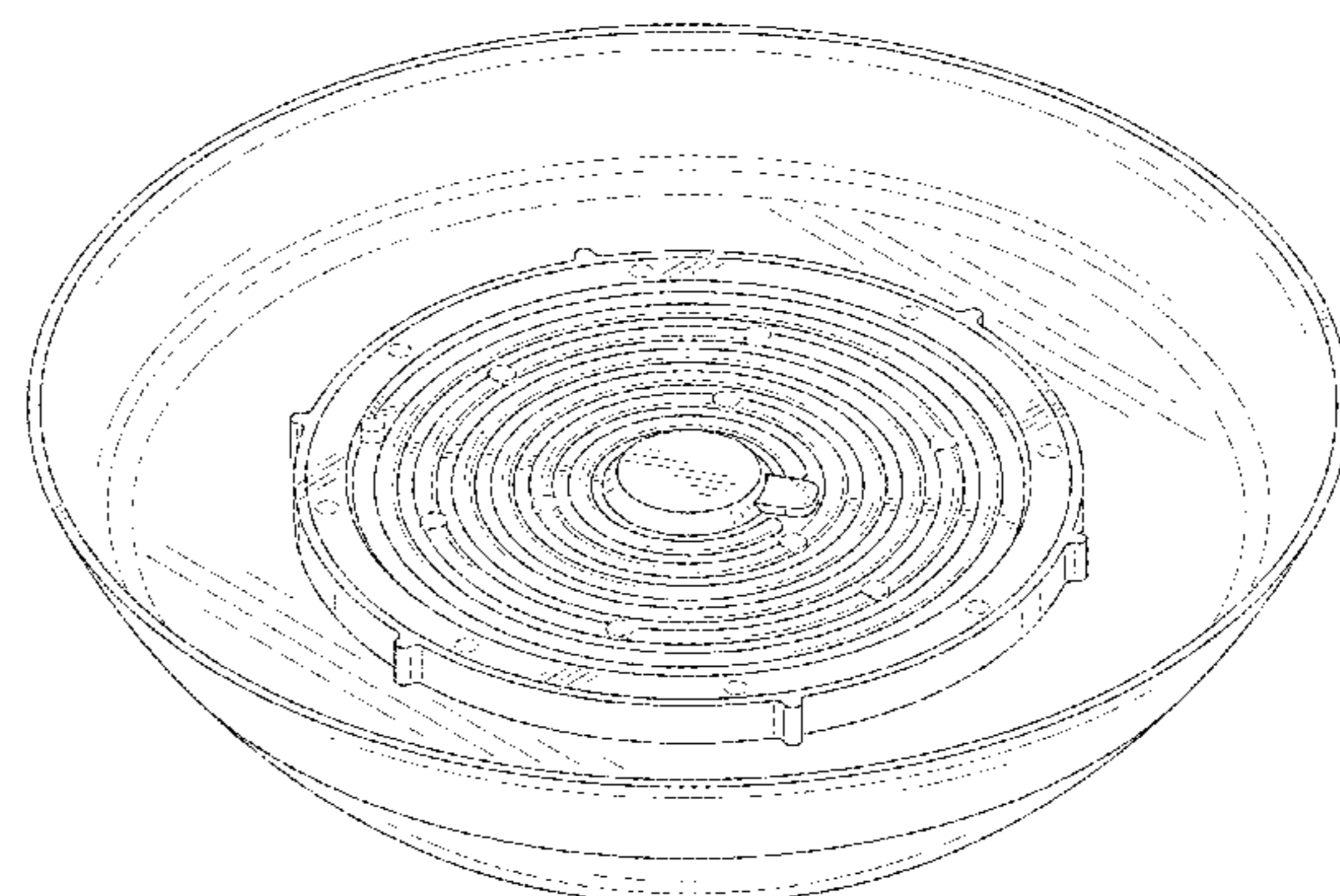
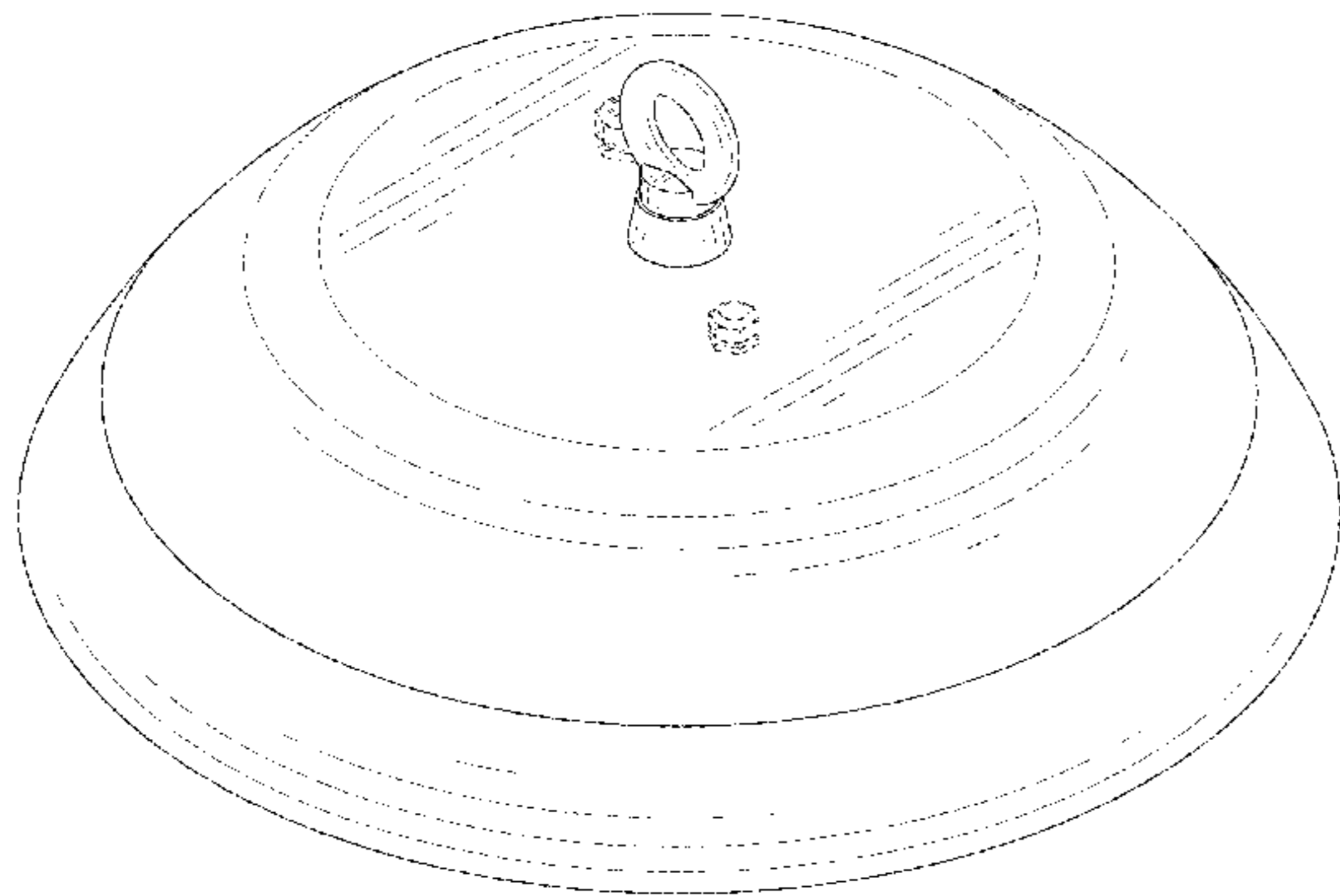
(57) **CLAIM**

The ornamental design for a high bay lamp, as shown and described.

DESCRIPTION

FIG. 1 is a top perspective view of a high bay lamp showing my new design;
FIG. 2 is a bottom perspective view thereof;
FIG. 3 is a front elevational view thereof;
FIG. 4 is a rear elevational view thereof;
FIG. 5 is a left side view thereof;
FIG. 6 is a right side view thereof;
FIG. 7 is a top plan view thereof; and,
FIG. 8 is a bottom plan view thereof.
The broken lines in the drawings illustrate portions of the high bay lamp which form no part of the claimed design.

1 Claim, 8 Drawing Sheets



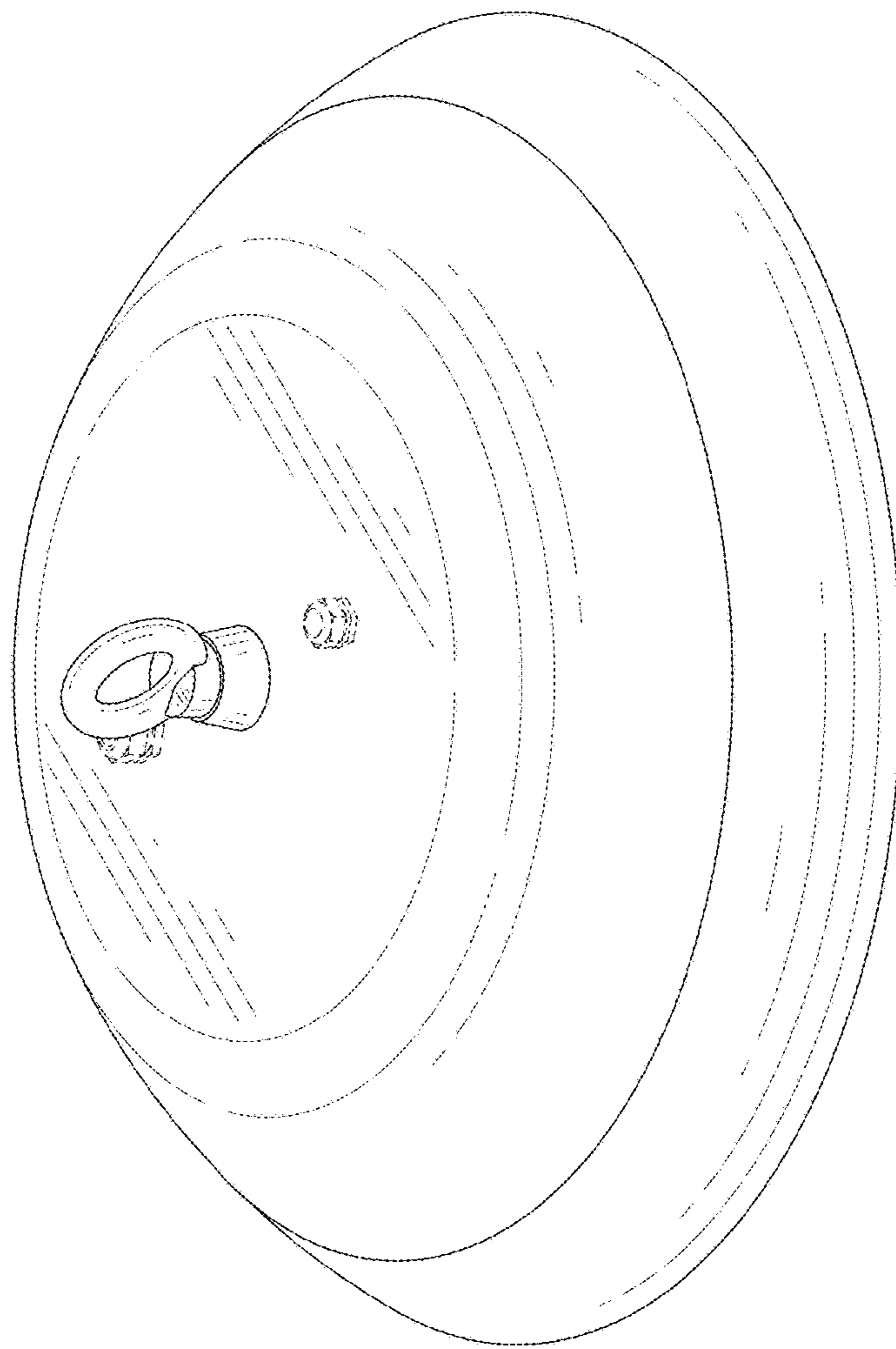


FIG. 1

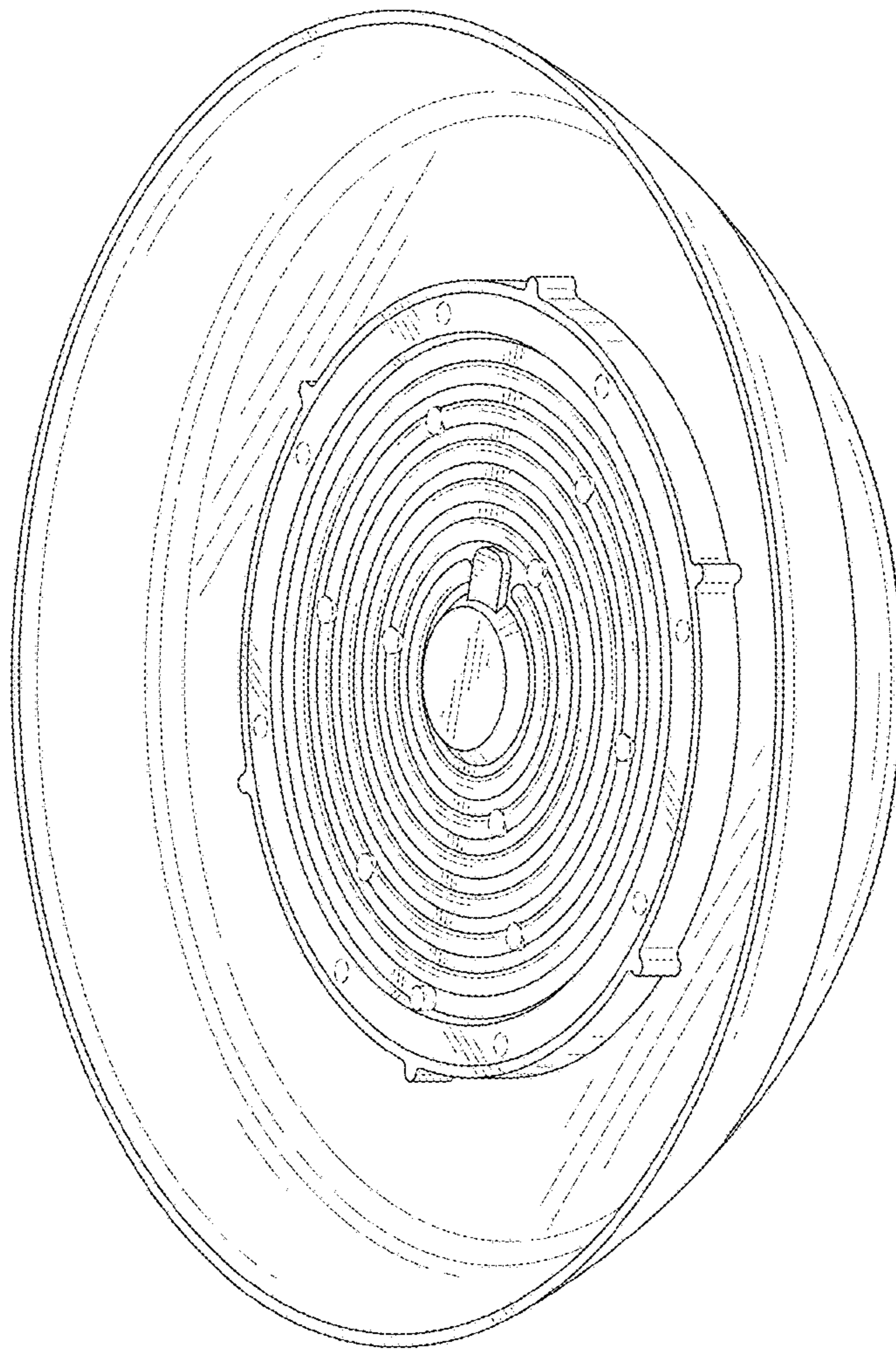


FIG. 2

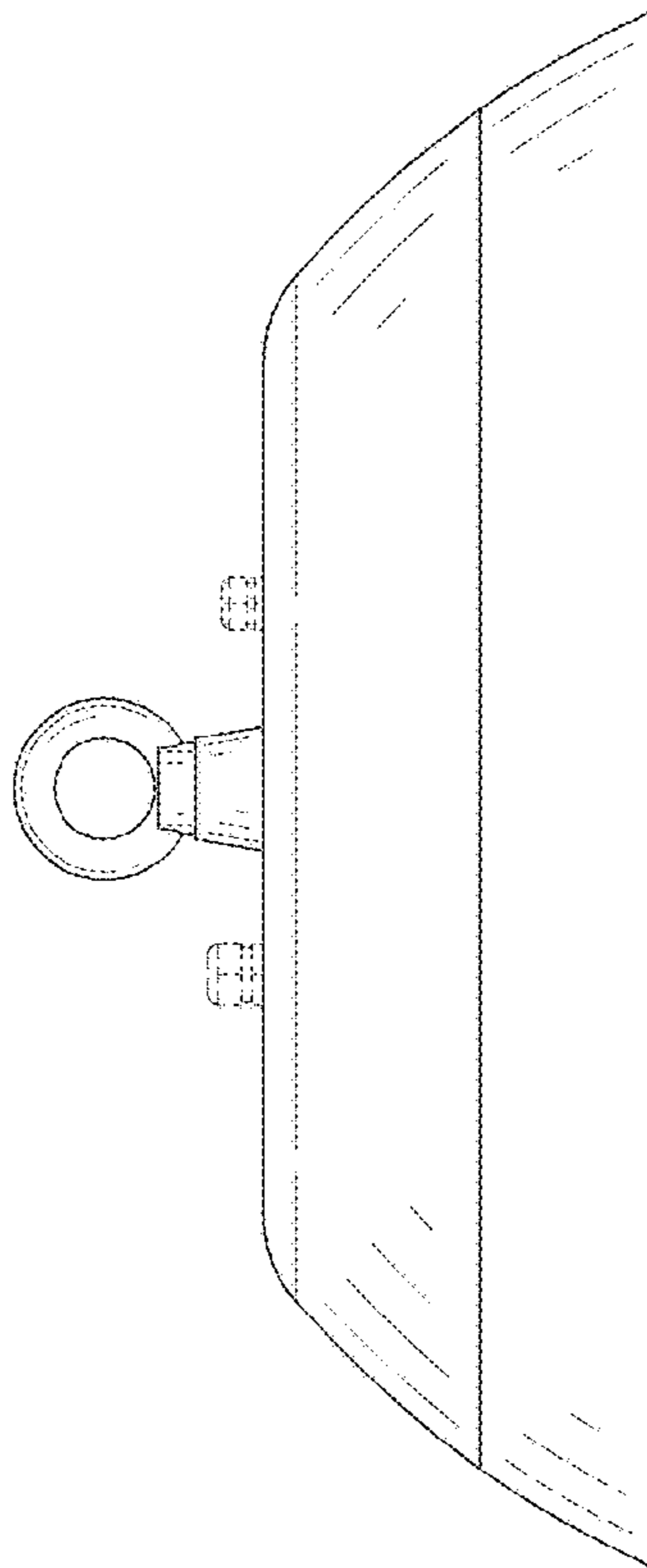


FIG. 3

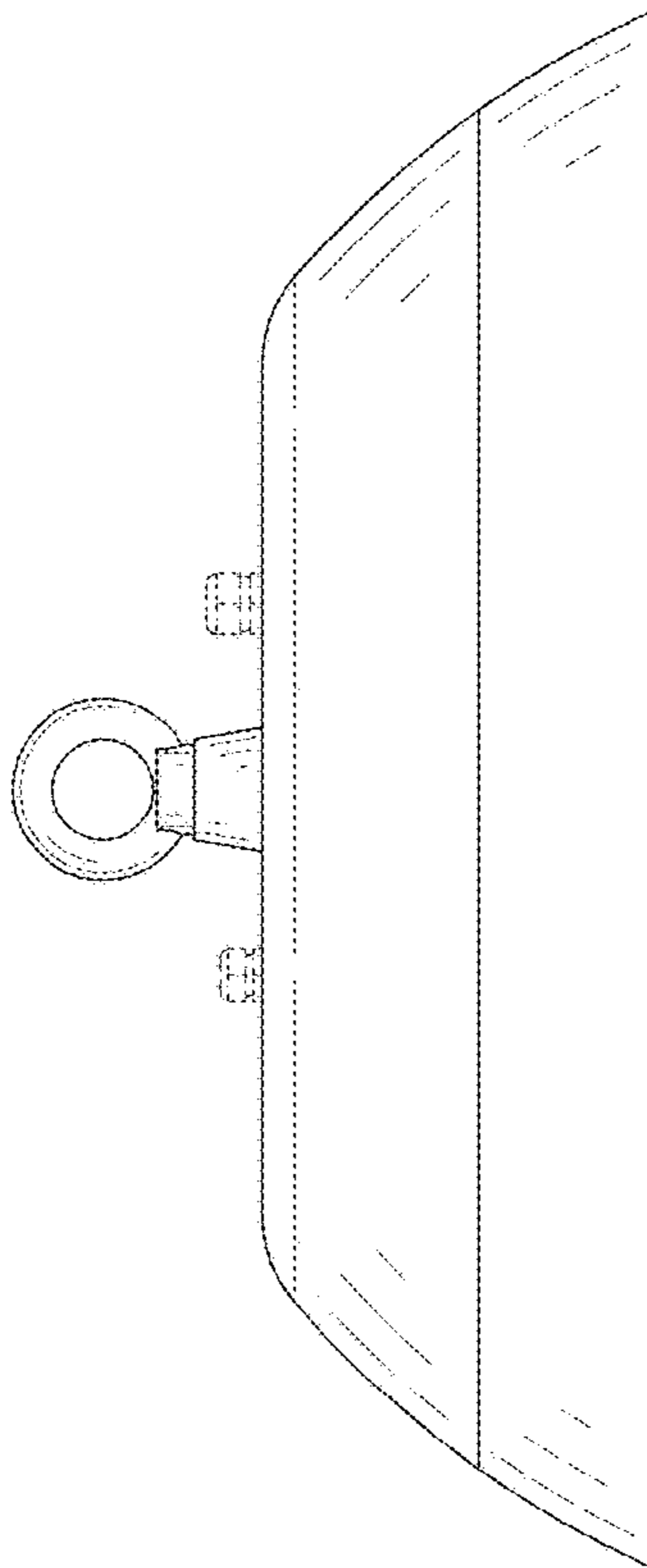


FIG. 4

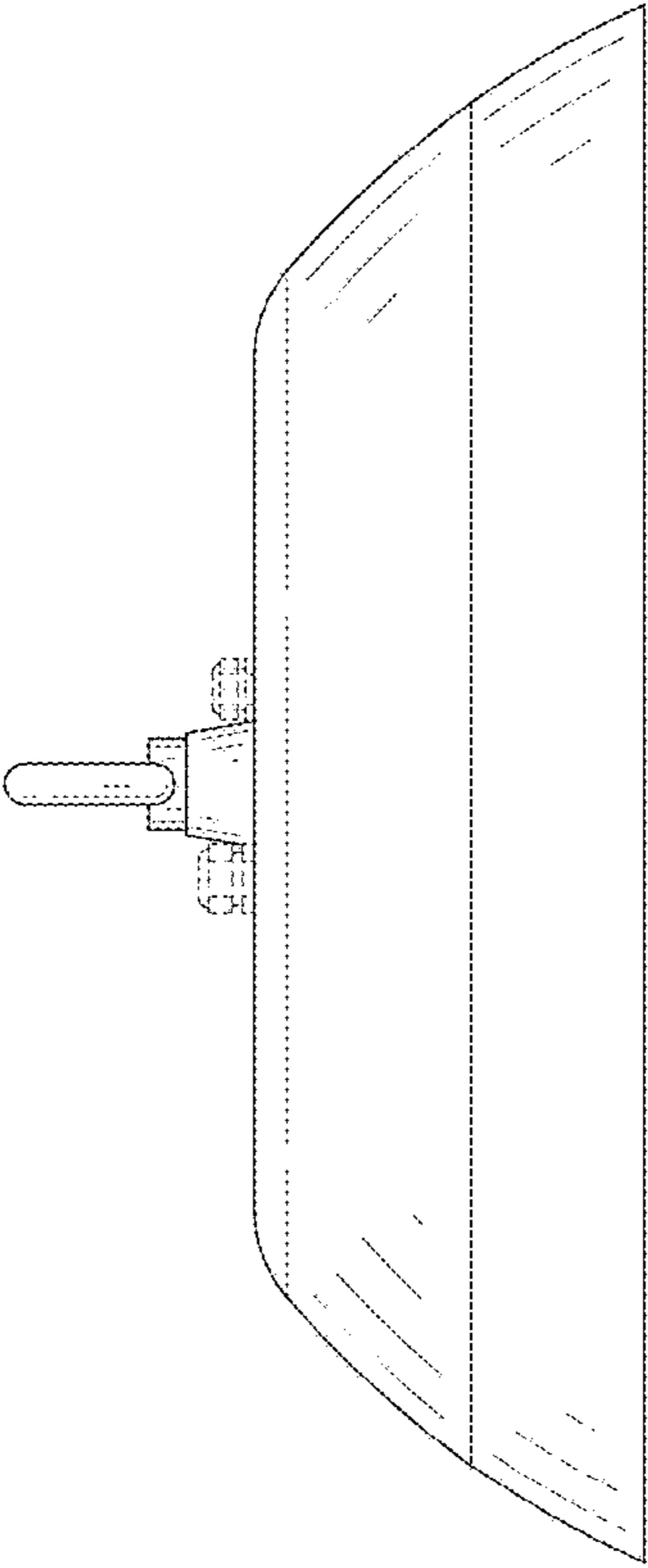


FIG. 5

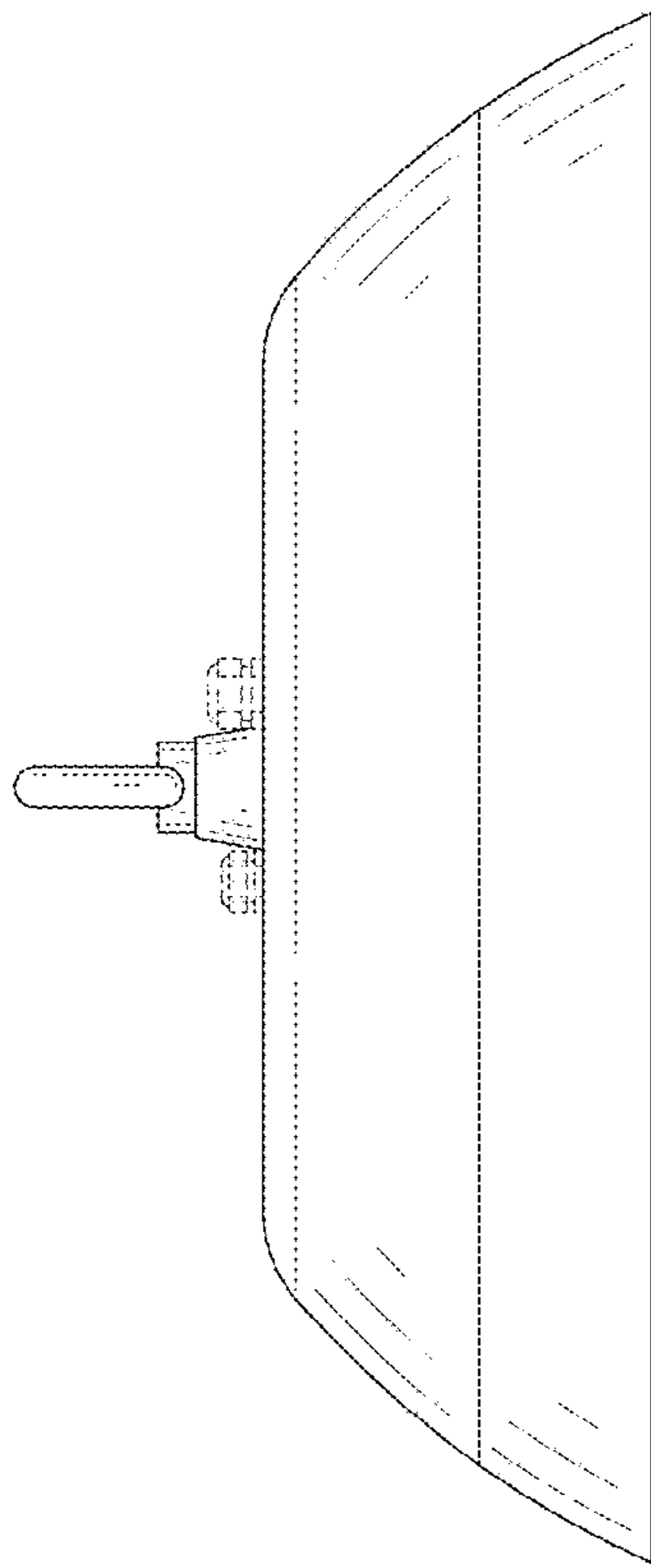


FIG. 6

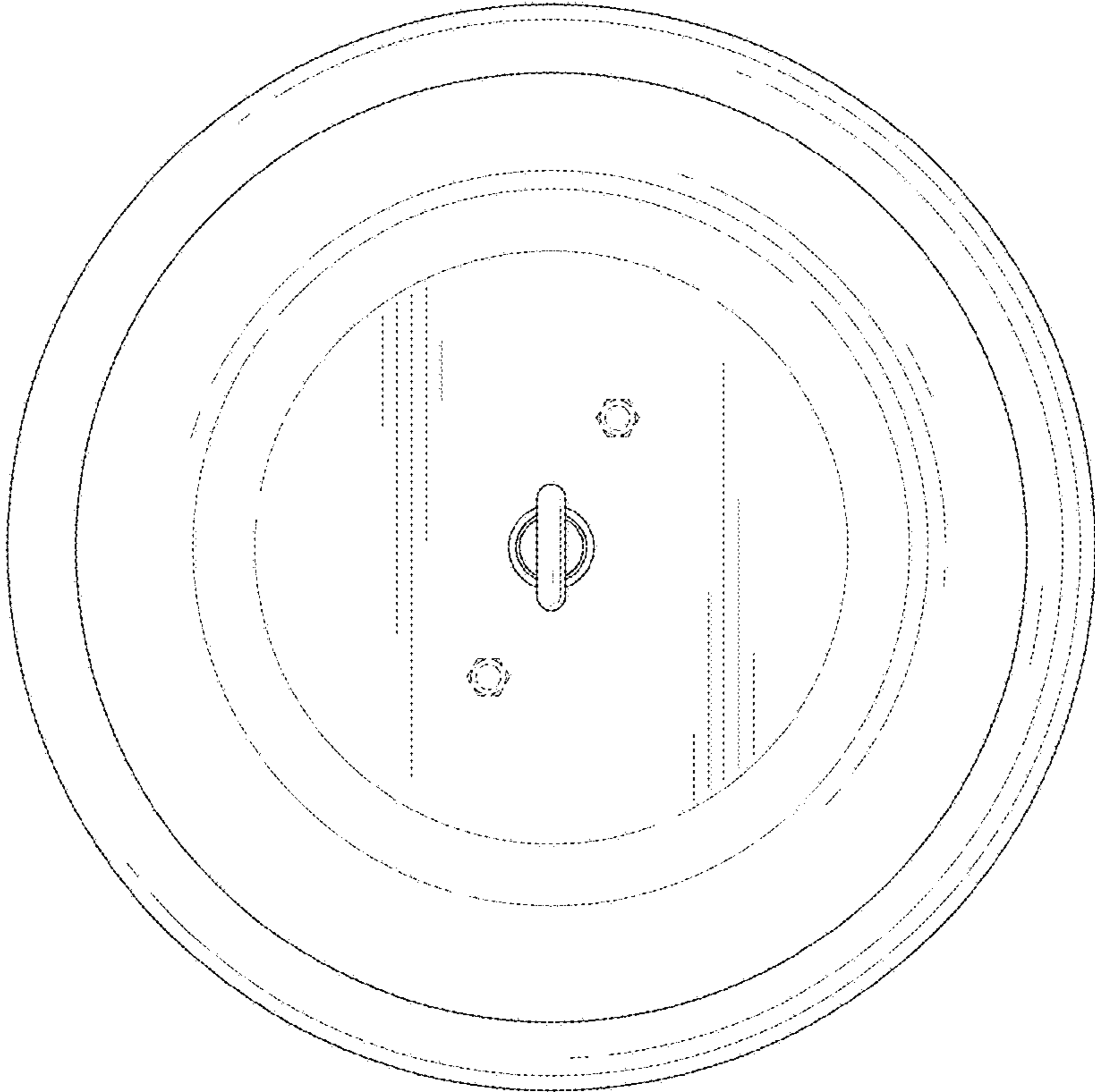


FIG. 7

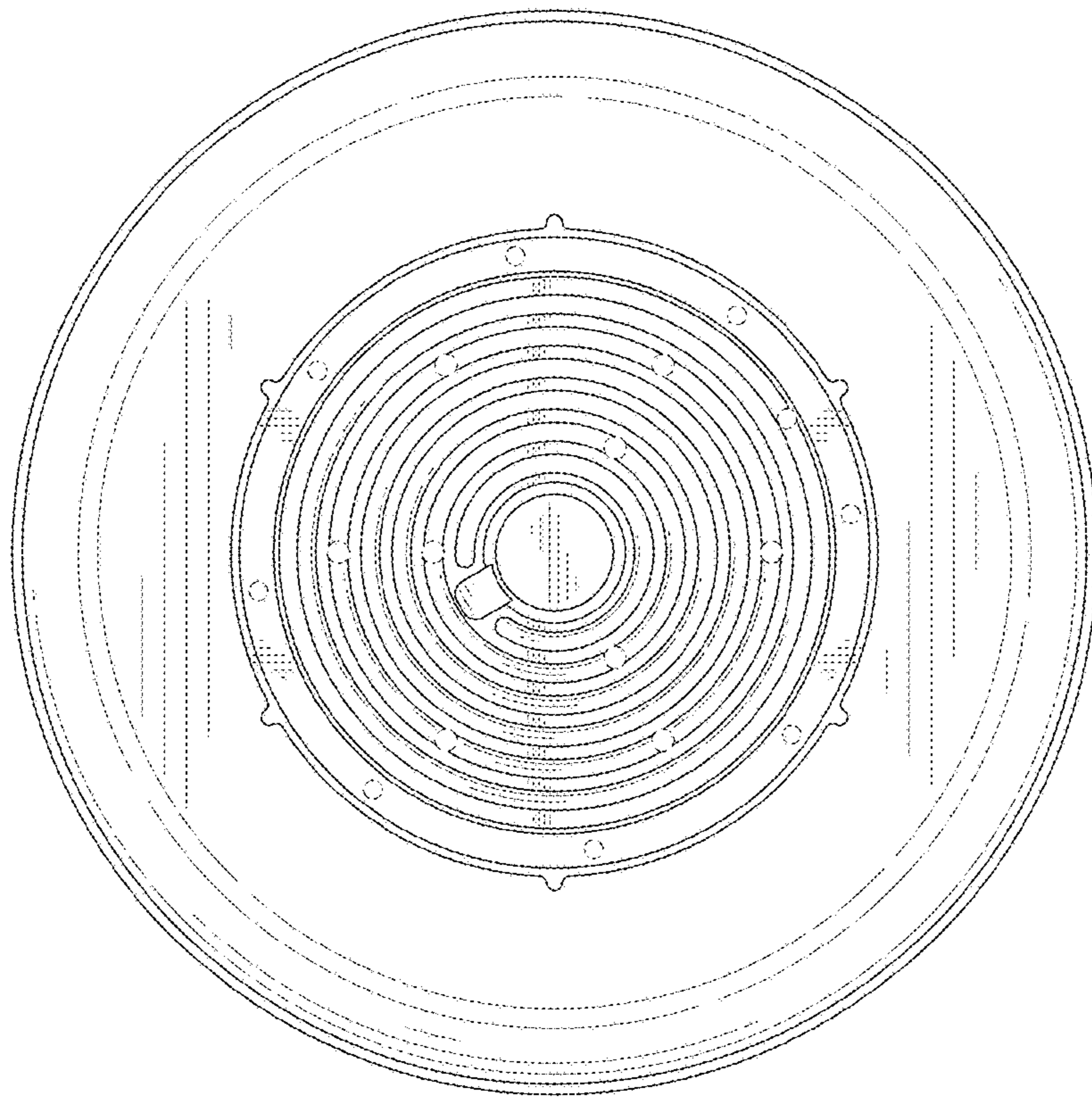


FIG. 8