



US00D868331S

(12) **United States Design Patent**
Li

(10) **Patent No.:** **US D868,331 S**

(45) **Date of Patent:** **** Nov. 26, 2019**

(54) **SOLAR LIGHT**

(71) Applicant: **Meiyan Li**, Fujian Province (CN)

(72) Inventor: **Meiyan Li**, Fujian Province (CN)

(**) Term: **15 Years**

(21) Appl. No.: **29/697,288**

(22) Filed: **Jul. 7, 2019**

(51) **LOC (12) Cl.** **26-05**

(52) **U.S. Cl.**
USPC **D26/67**

(58) **Field of Classification Search**
USPC D26/67-70, 104
CPC .. F21S 8/081; F21S 8/083; F21S 8/088; F21S 8/032; F21S 9/037; F21V 3/023; F21V 21/0824; F21W 2111/023; F21W 2131/109

See application file for complete search history.

(56) **References Cited**

U.S. PATENT DOCUMENTS

- D84,324 S * 6/1931 Bowen D26/67
- D201,515 S * 6/1965 Petengill D26/67
- D388,900 S * 1/1998 Metcheur, III D26/68
- D624,227 S * 9/2010 Grant D25/135
- D693,510 S * 11/2013 Chen D26/67
- D698,063 S * 1/2014 Macura D26/68
- 8,770,801 B1 * 7/2014 Berns F21S 8/083
362/296.01
- D744,687 S * 12/2015 Li D26/67

- D745,991 S * 12/2015 Duquette D26/67
- D800,940 S * 10/2017 Guzzini D26/67
- D816,883 S * 5/2018 Mou D26/87
- 2002/0148183 A1 * 10/2002 Grant F21S 8/081
52/300

* cited by examiner

Primary Examiner — Clare E Hefflin

(57) **CLAIM**

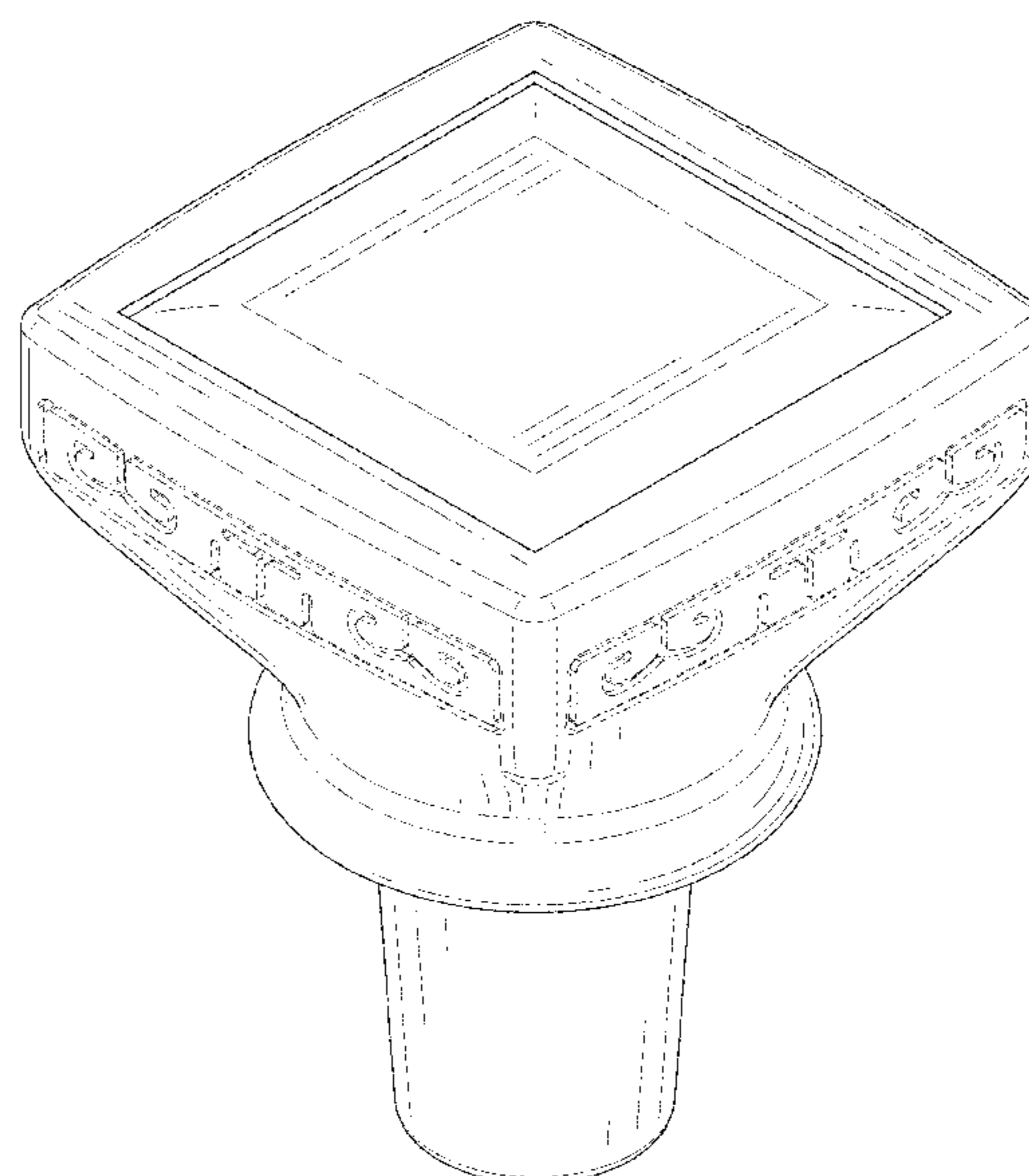
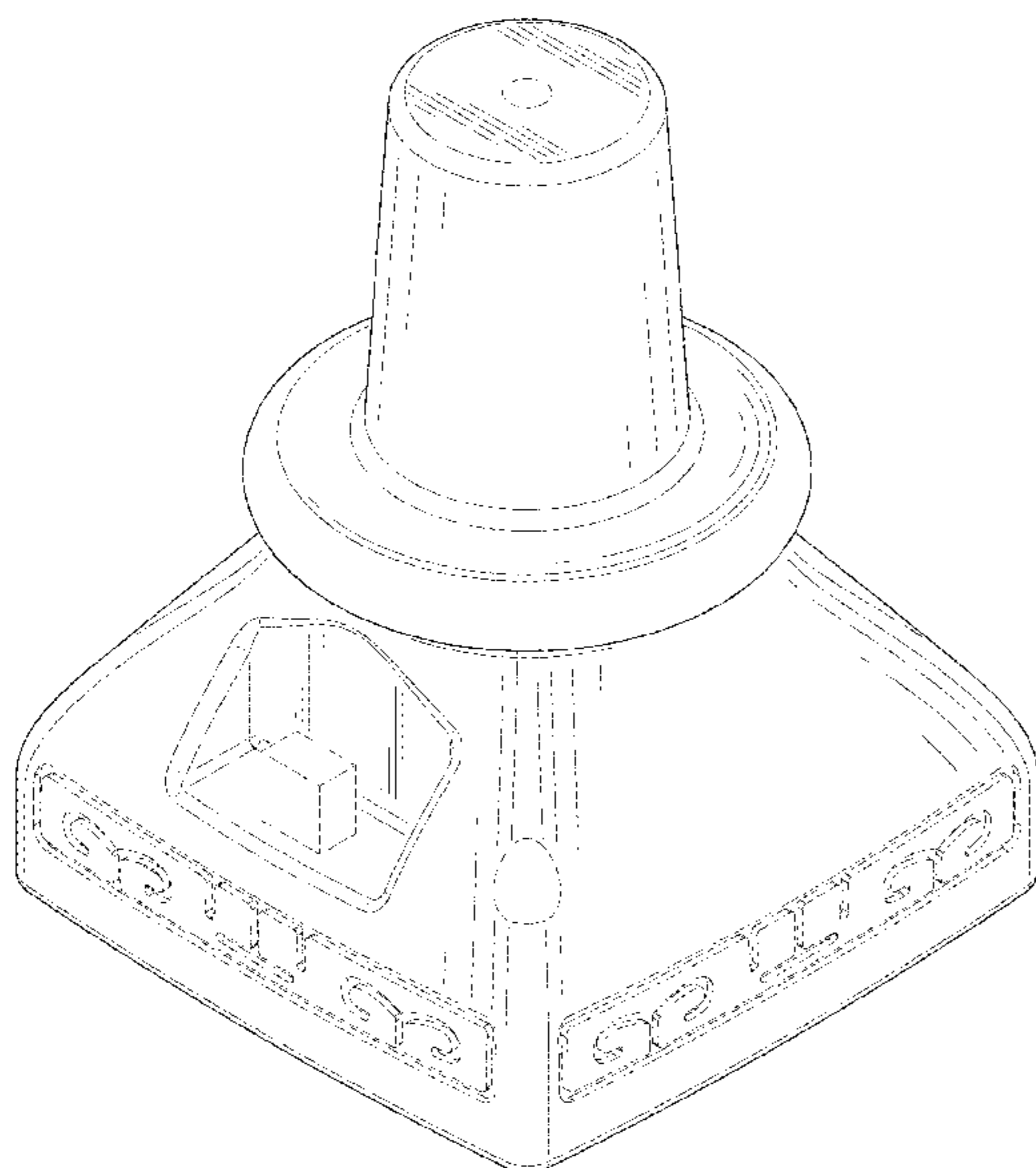
The ornamental design for a solar light, as shown and described.

DESCRIPTION

FIG. 1 is a top perspective view of a solar light showing my new design;
 FIG. 2 is a bottom perspective view thereof;
 FIG. 3 is a front view thereof;
 FIG. 4 is a back view thereof;
 FIG. 5 is a left side view thereof;
 FIG. 6 is a right side view thereof;
 FIG. 7 is a top view thereof; and,
 FIG. 8 is a bottom view thereof.

The broken lines immediately adjacent the shaded areas represent the bounds of the claimed design while all other broken lines are directed to environment and are for illustrative purposes only; the broken lines form no part of the claimed design.

1 Claim, 8 Drawing Sheets



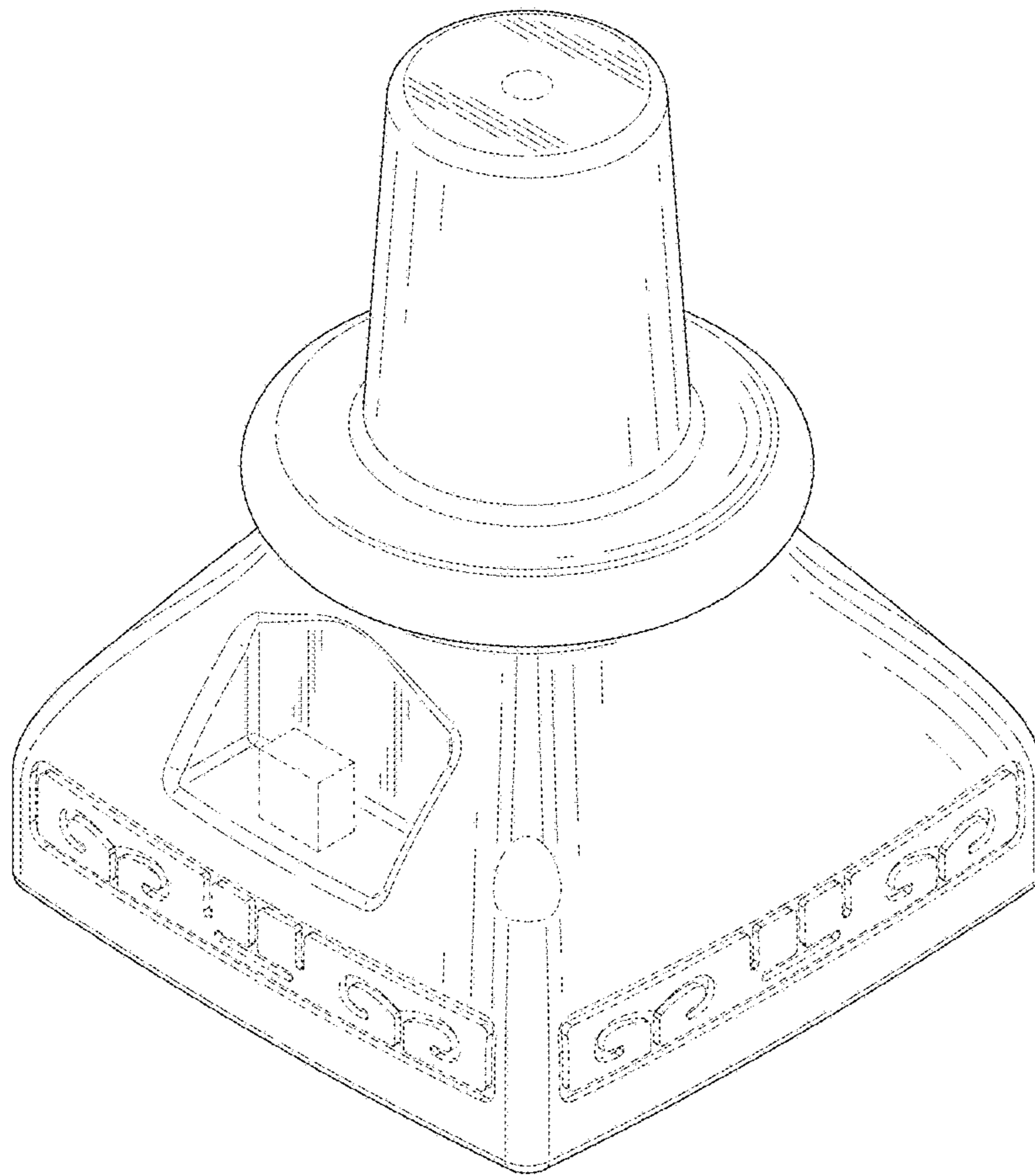


FIG. 1

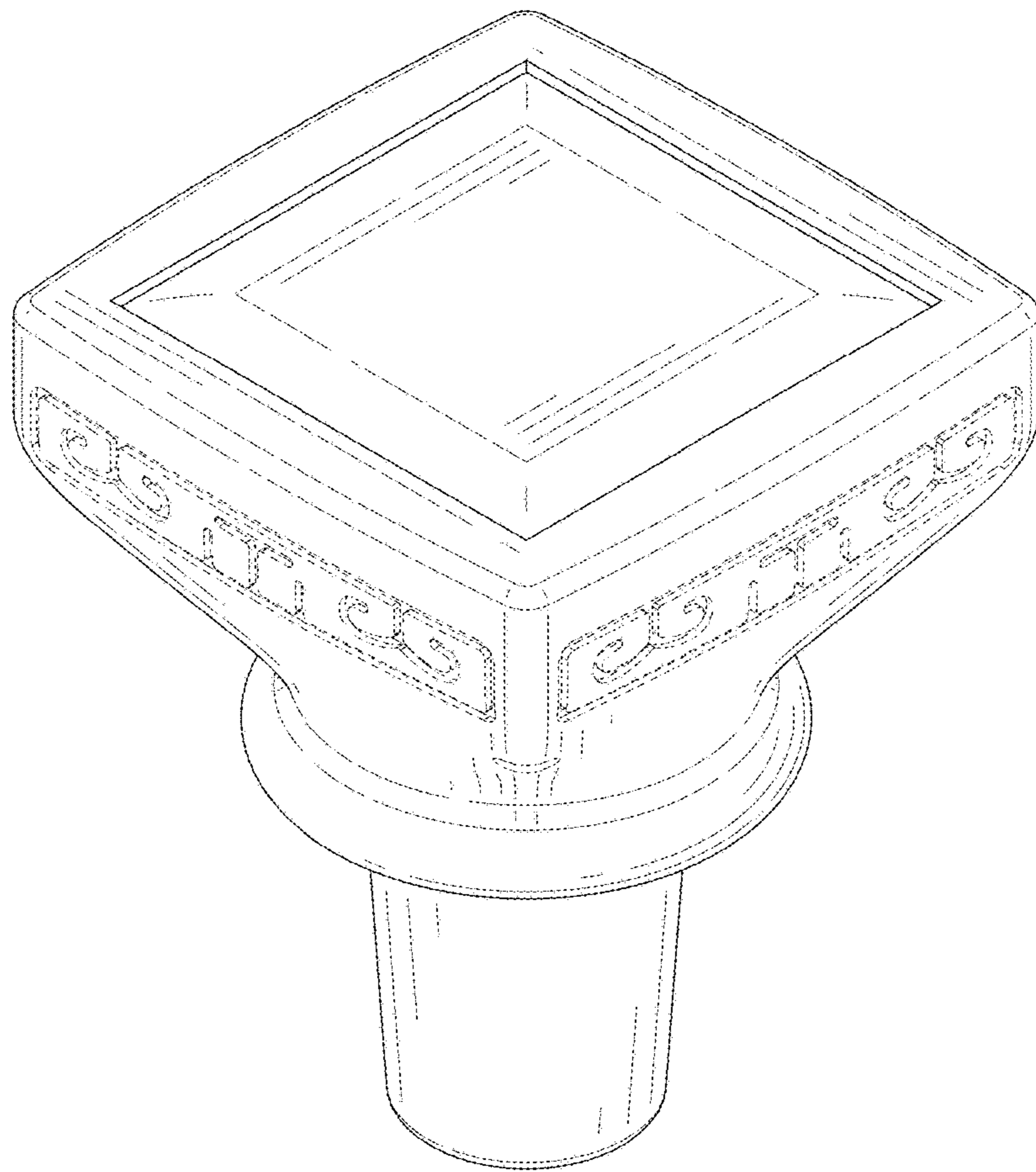


FIG. 2

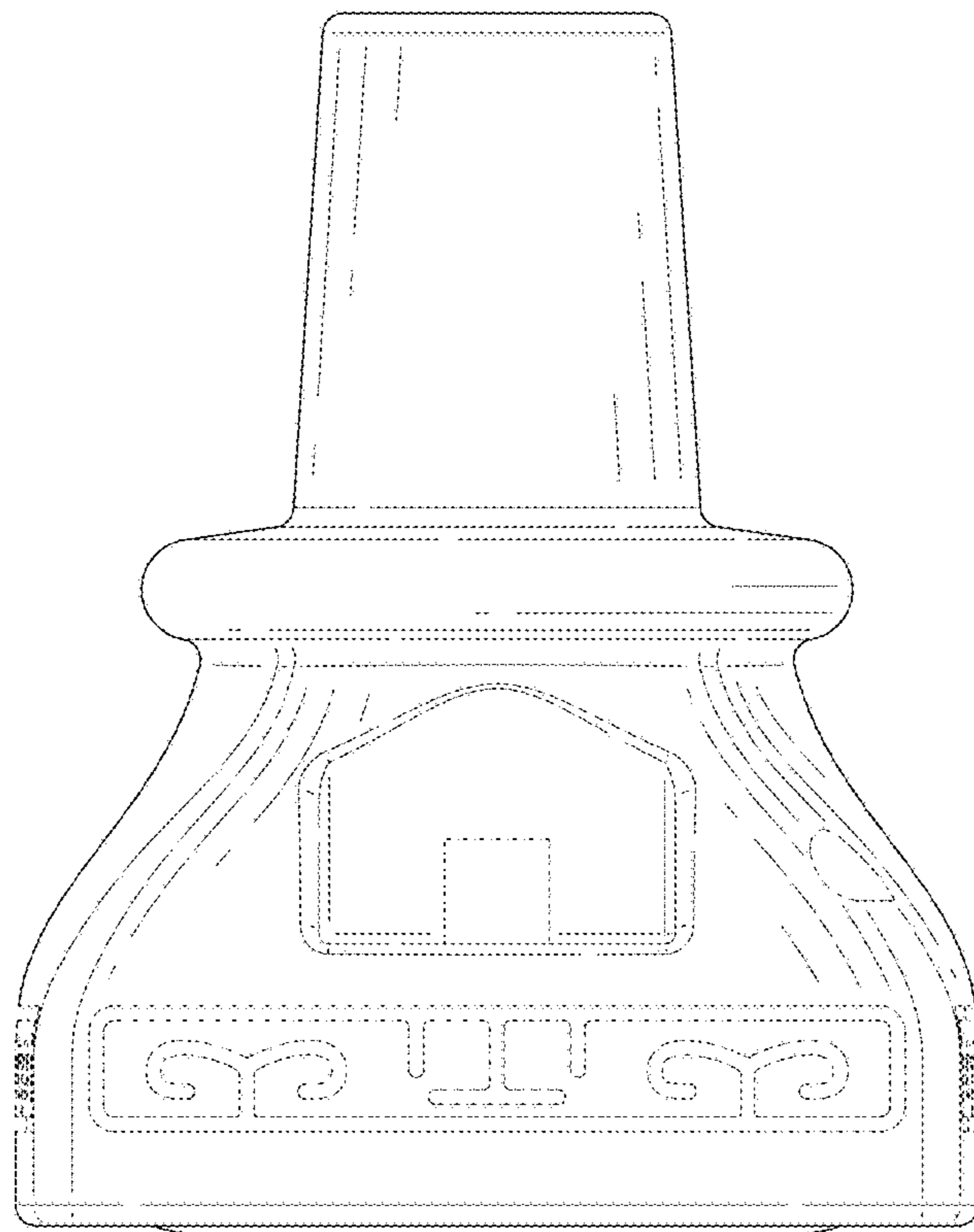


FIG. 3

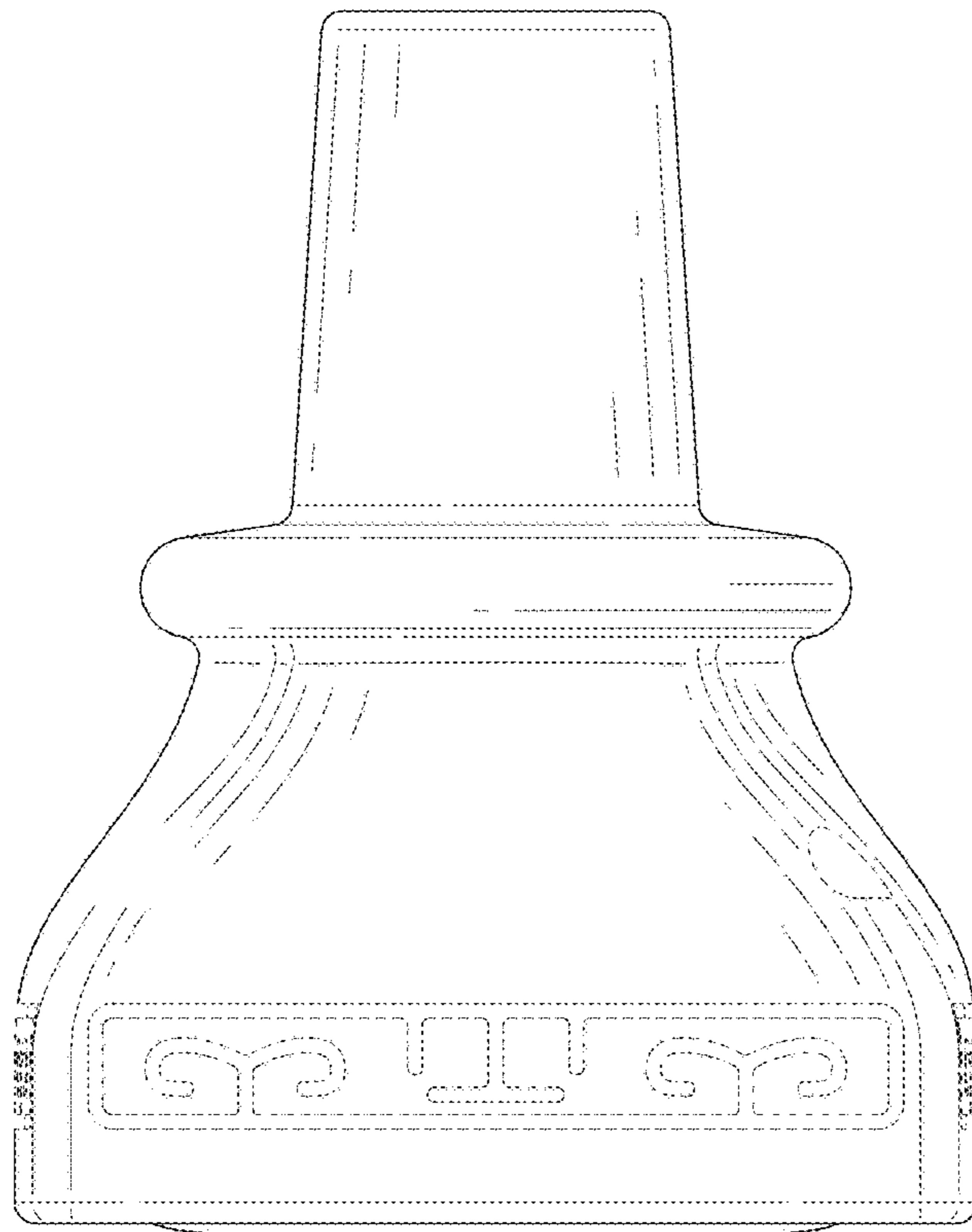


FIG. 4

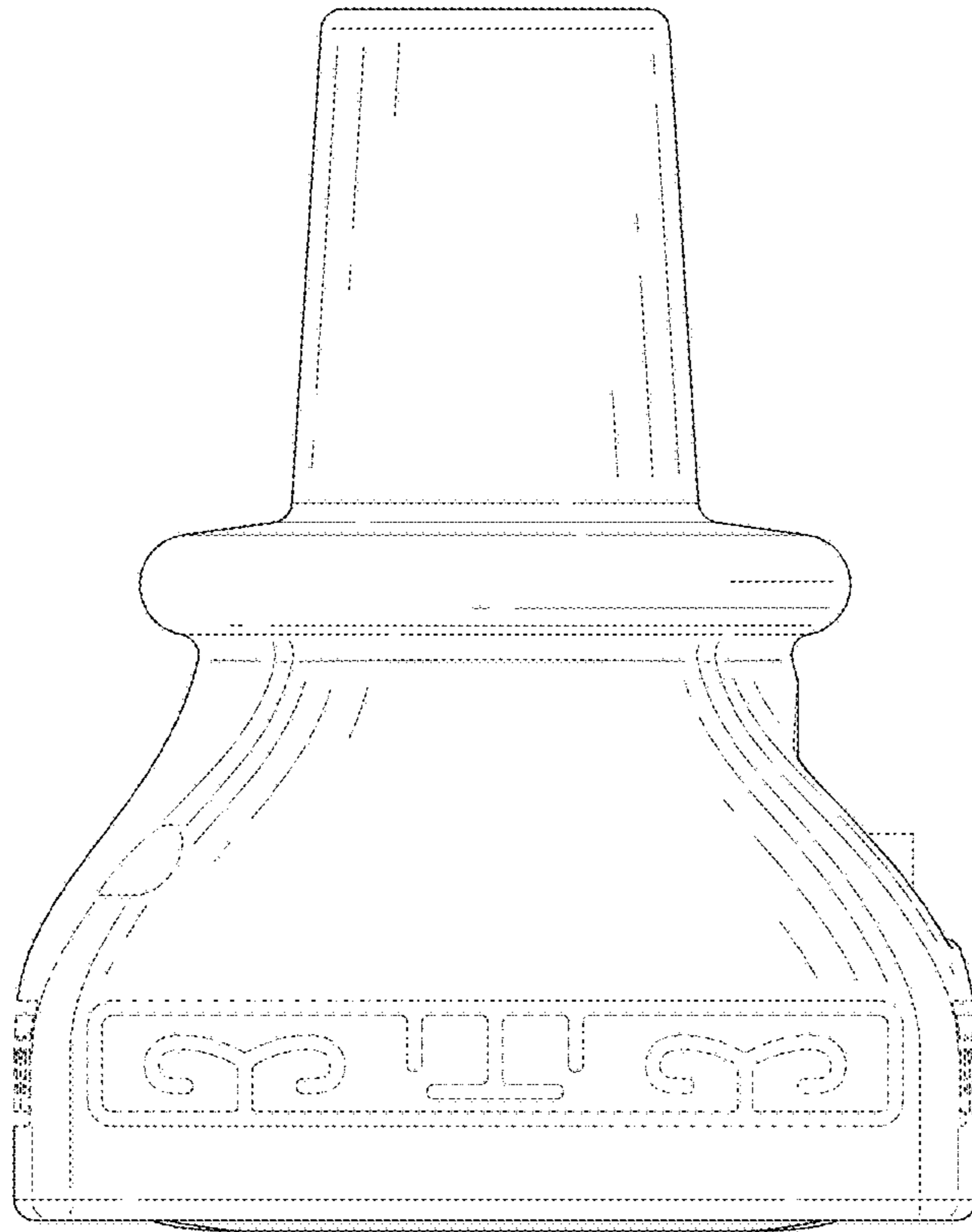


FIG. 5

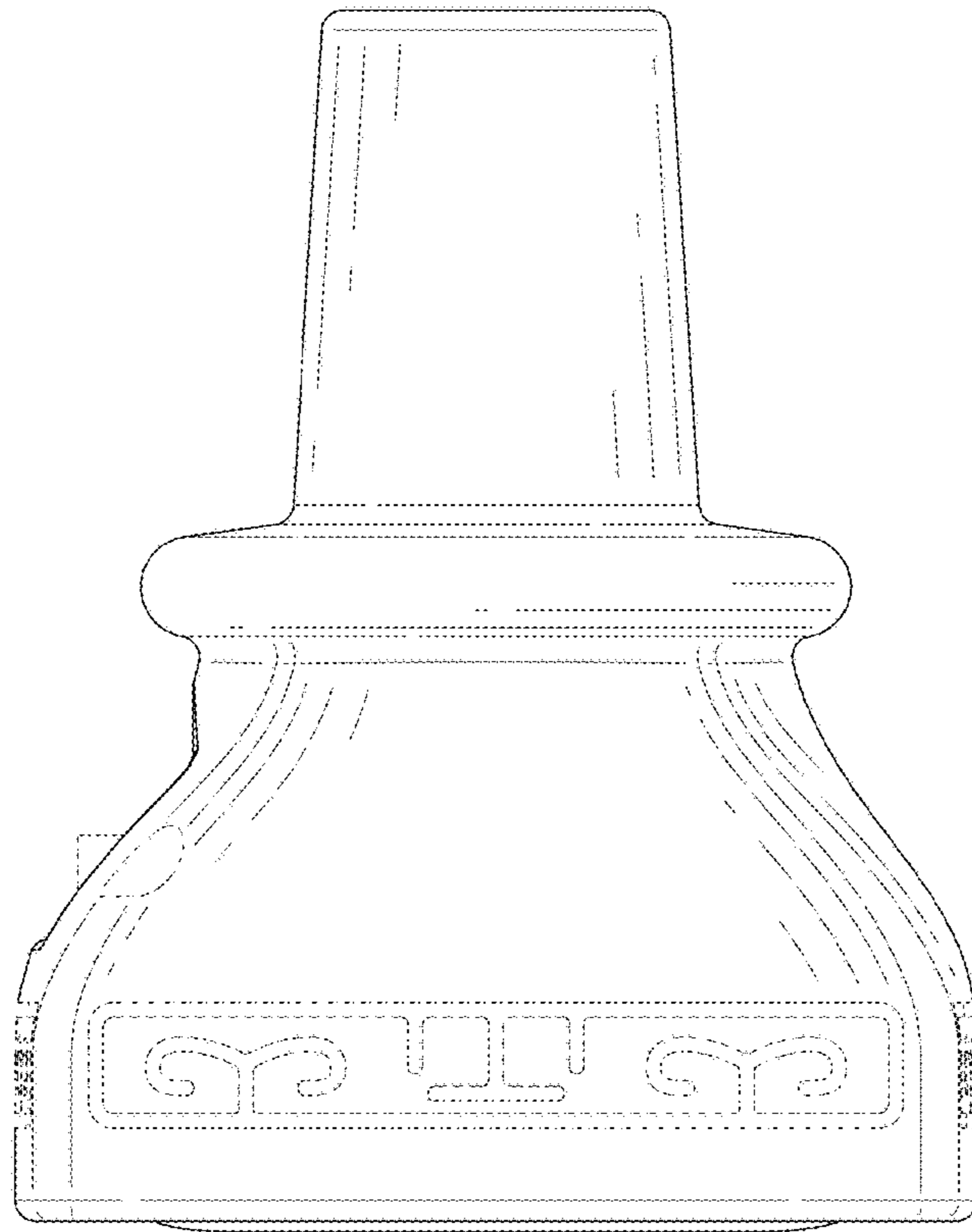


FIG. 6

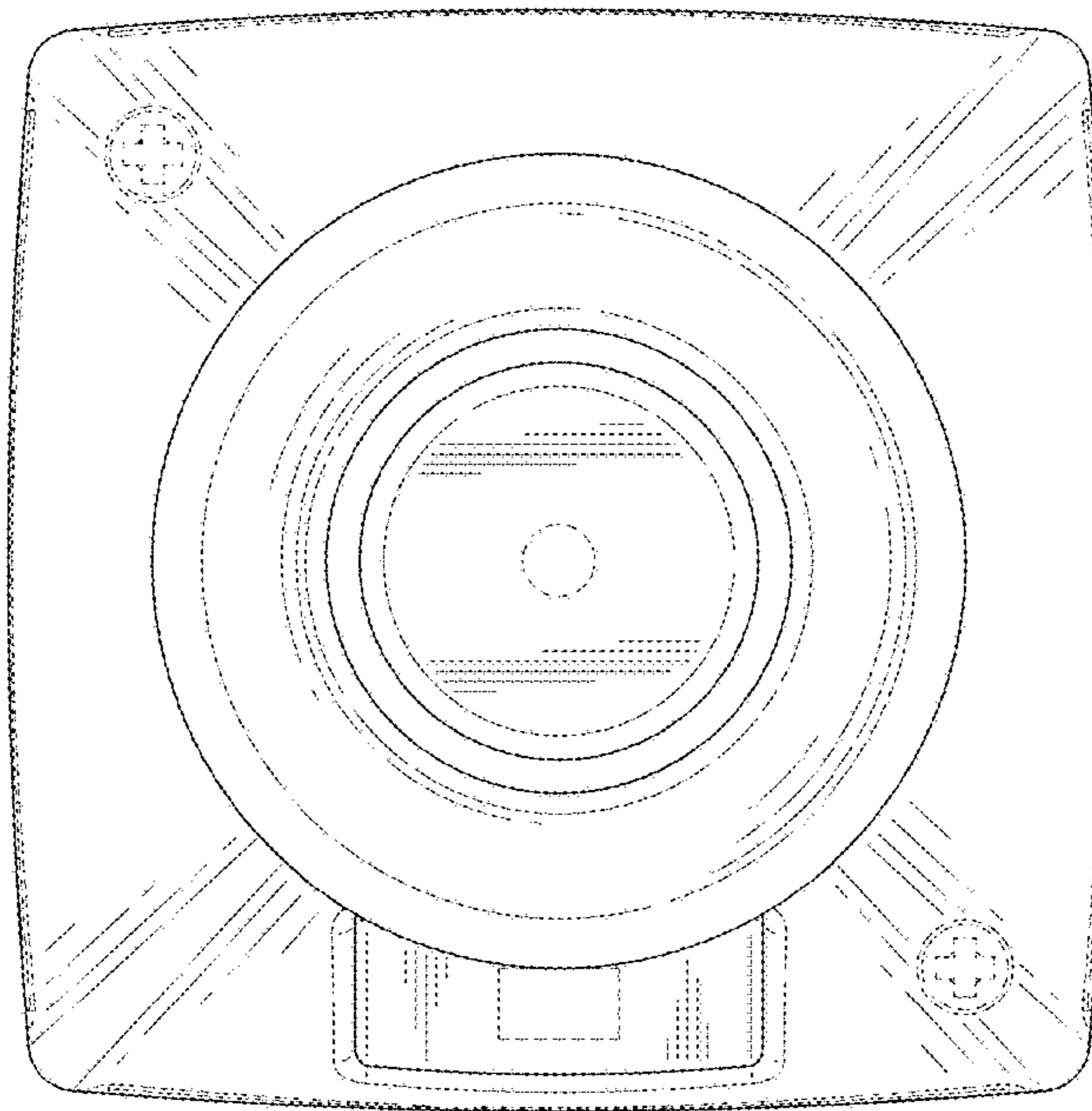


FIG. 7

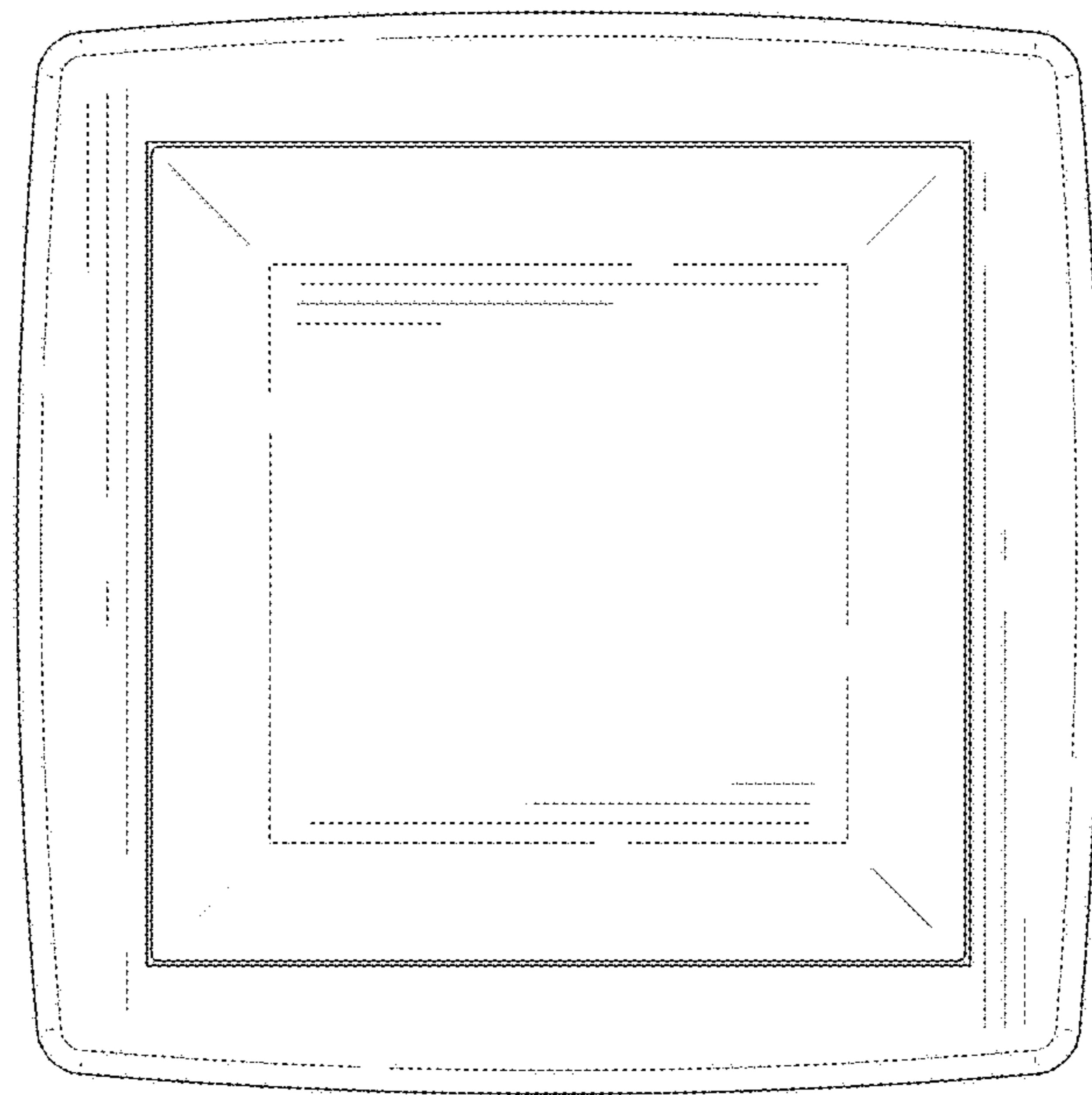


FIG. 8