



US00D868330S

(12) **United States Design Patent**
Ji

(10) **Patent No.:** **US D868,330 S**

(45) **Date of Patent:** **** Nov. 26, 2019**

(54) **OUTDOOR LAWN LANDSCAPE LAMP**

(71) Applicant: **Shaoqi Ji**, Hunan (CN)

(72) Inventor: **Shaoqi Ji**, Hunan (CN)

(**) Term: **15 Years**

(21) Appl. No.: **29/657,425**

(22) Filed: **Jul. 23, 2018**

(51) **LOC (12) Cl.** **26-05**

(52) **U.S. Cl.**
USPC **D26/63; D26/67**

(58) **Field of Classification Search**
USPC D26/63, 67-71
CPC F21S 8/08; F21S 8/081; F21S 8/083; F21S 8/088; F21S 9/03; F21S 9/037; F21V 21/0824; F21V 21/26; F21V 21/30; F21W 2111/023; F21W 2111/02; F21W 2131/109

See application file for complete search history.

(56) **References Cited**

U.S. PATENT DOCUMENTS

D518,218 S * 3/2006 Roberge D26/63
D634,871 S * 3/2011 Wooh D26/63

D713,080 S * 9/2014 Giaffreda D26/65
D797,974 S * 9/2017 Liang D26/63
D797,975 S * 9/2017 Lentine D26/63
D798,484 S * 9/2017 Lentine D26/63
9,857,061 B1 * 1/2018 Deng F21V 14/06
D814,090 S * 3/2018 Deng D26/63
D838,890 S * 1/2019 Xiong D26/63
D841,858 S * 2/2019 Deng D26/68
2004/0119951 A1 * 6/2004 Vitantonio F16M 11/10
353/119
2018/0283663 A1 * 10/2018 Zhang F21V 21/06
2019/0078768 A1 * 3/2019 Altamura F21V 23/007

* cited by examiner

Primary Examiner — Clare E Heflin

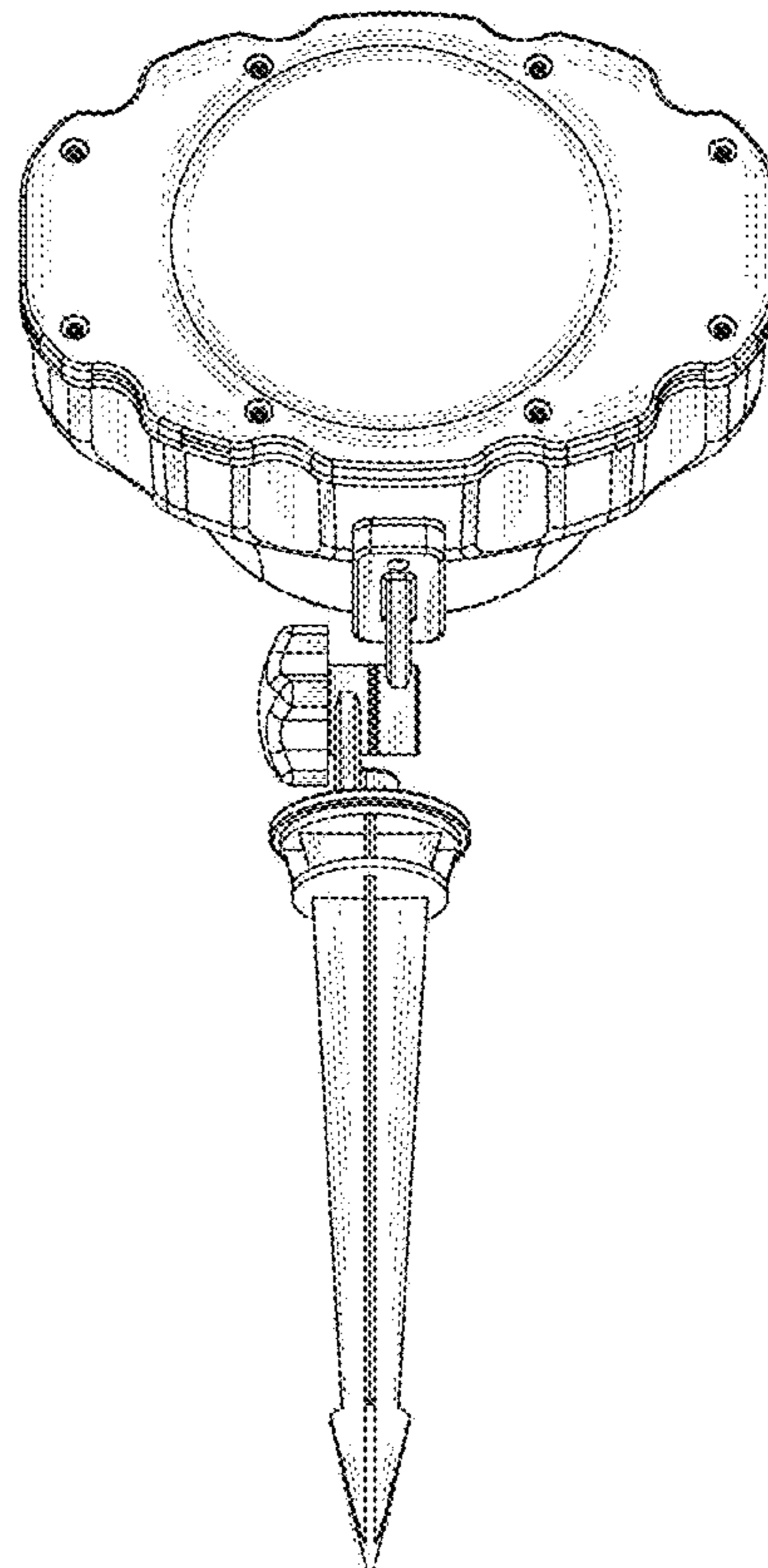
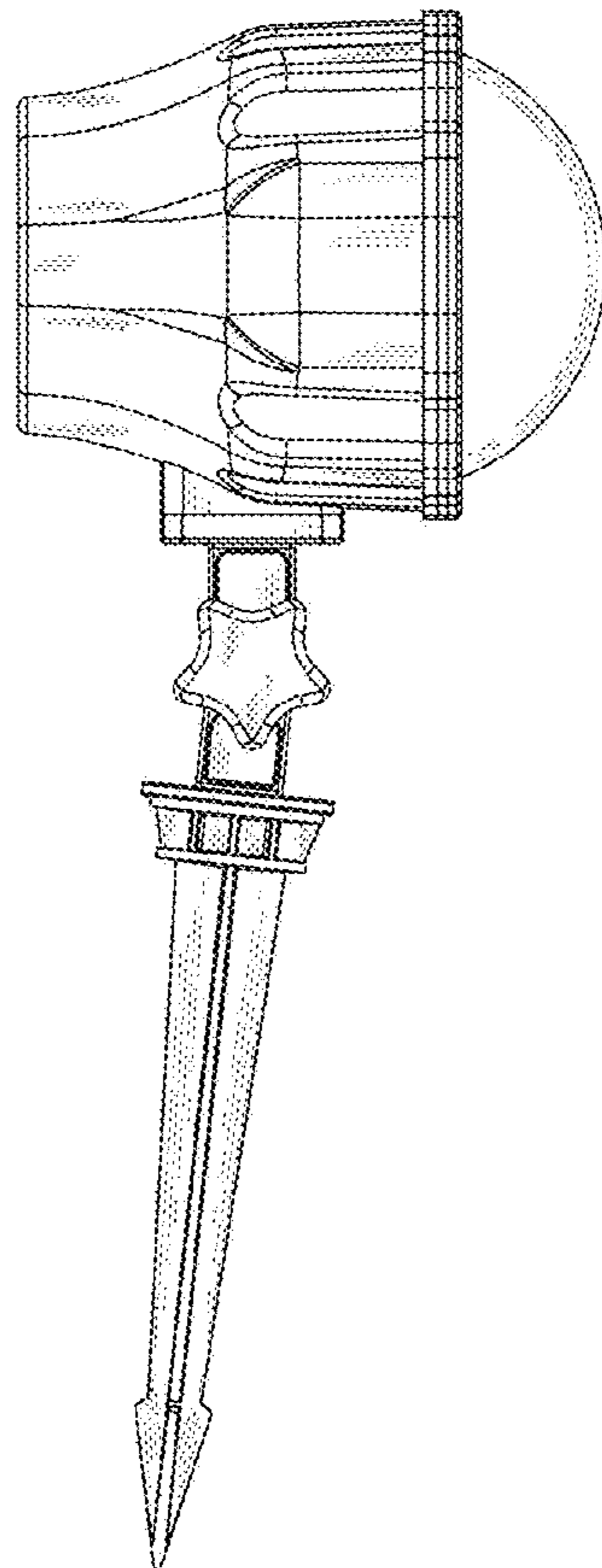
(57) **CLAIM**

The ornamental design for a outdoor lawn landscape lamp, as shown and described.

DESCRIPTION

FIG. 1 is a front elevational view of a outdoor lawn landscape lamp showing my new design; FIG. 2 is a rear elevational view thereof; FIG. 3 is a left side elevational view thereof; FIG. 4 is a right side elevational view thereof; FIG. 5 is a top plan view thereof; FIG. 6 is a bottom plan view thereof; and, FIG. 7 is a perspective view thereof.

1 Claim, 7 Drawing Sheets



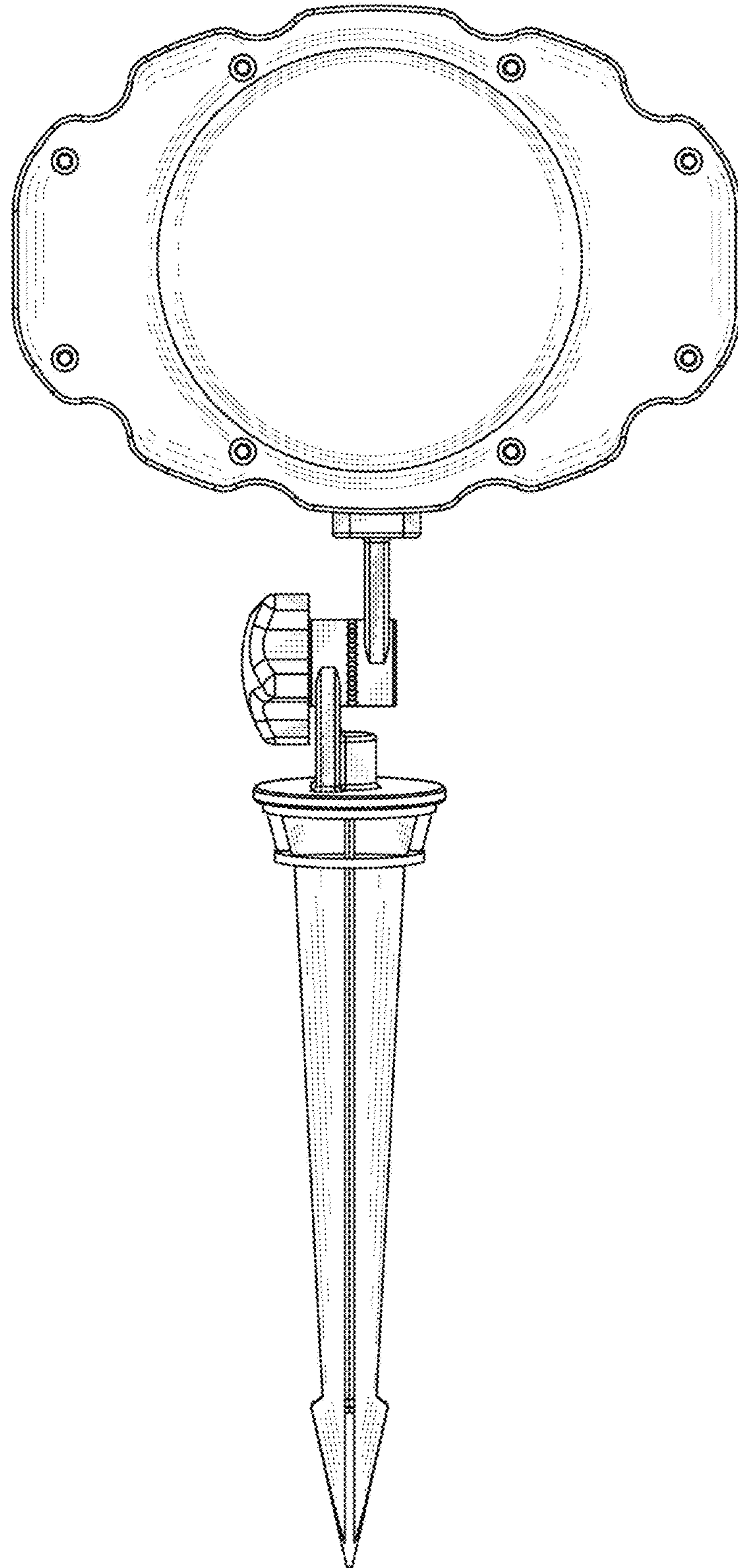


FIG.1

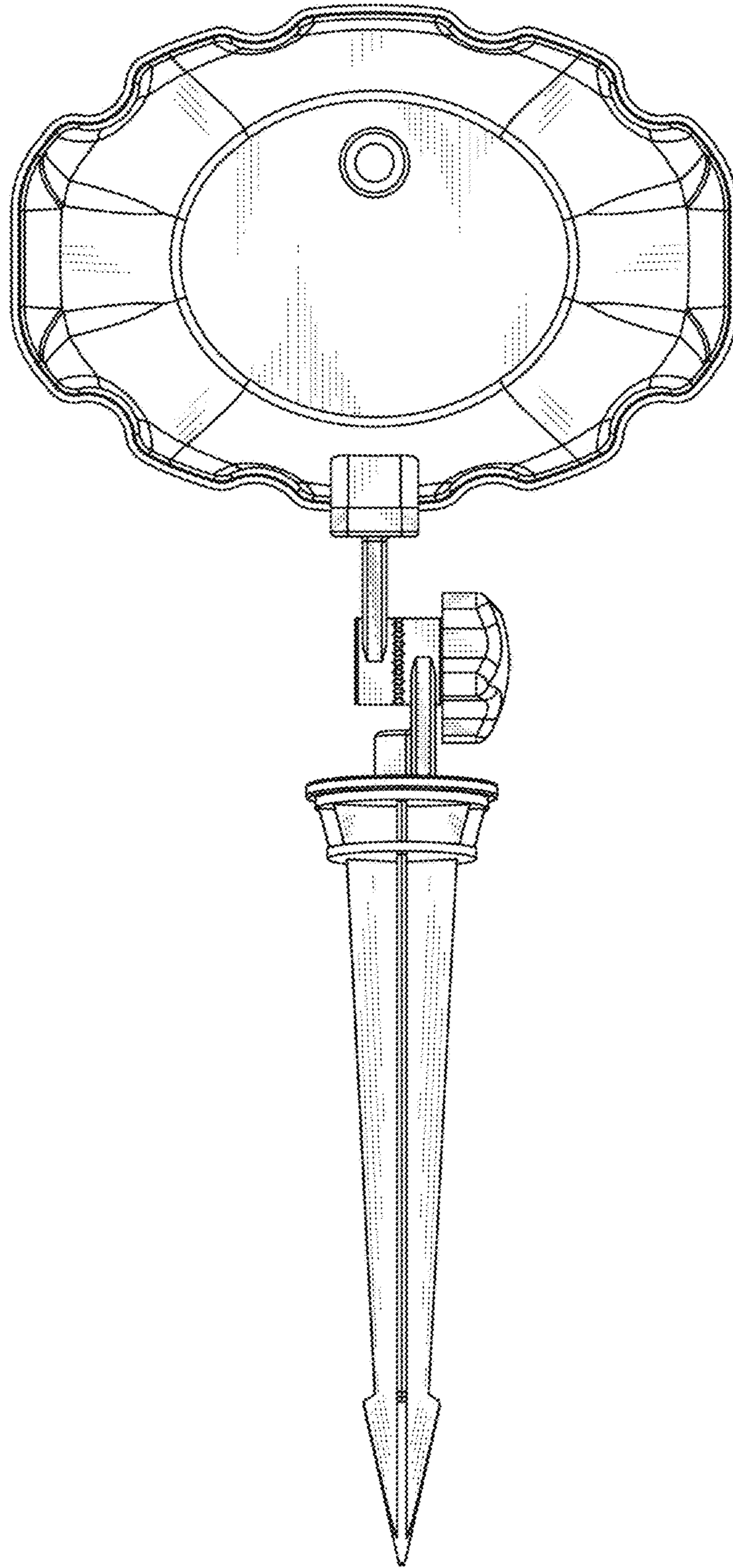


FIG.2

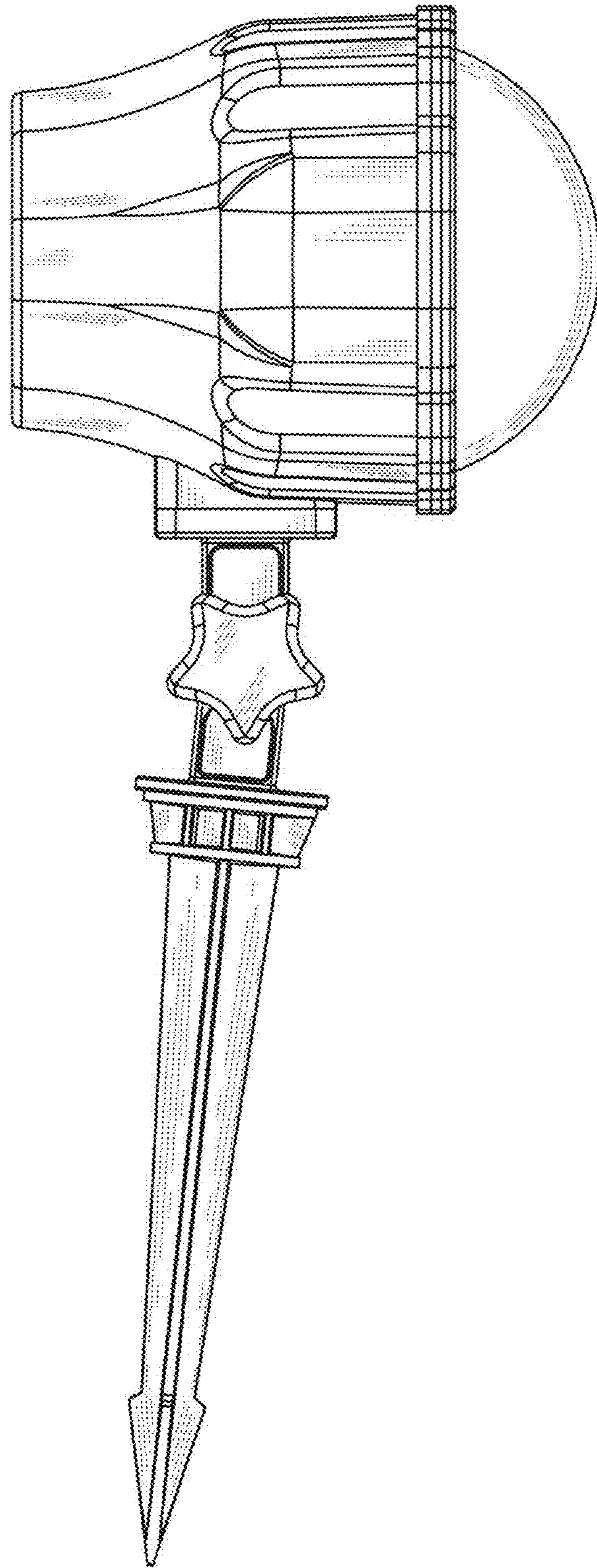


FIG.3

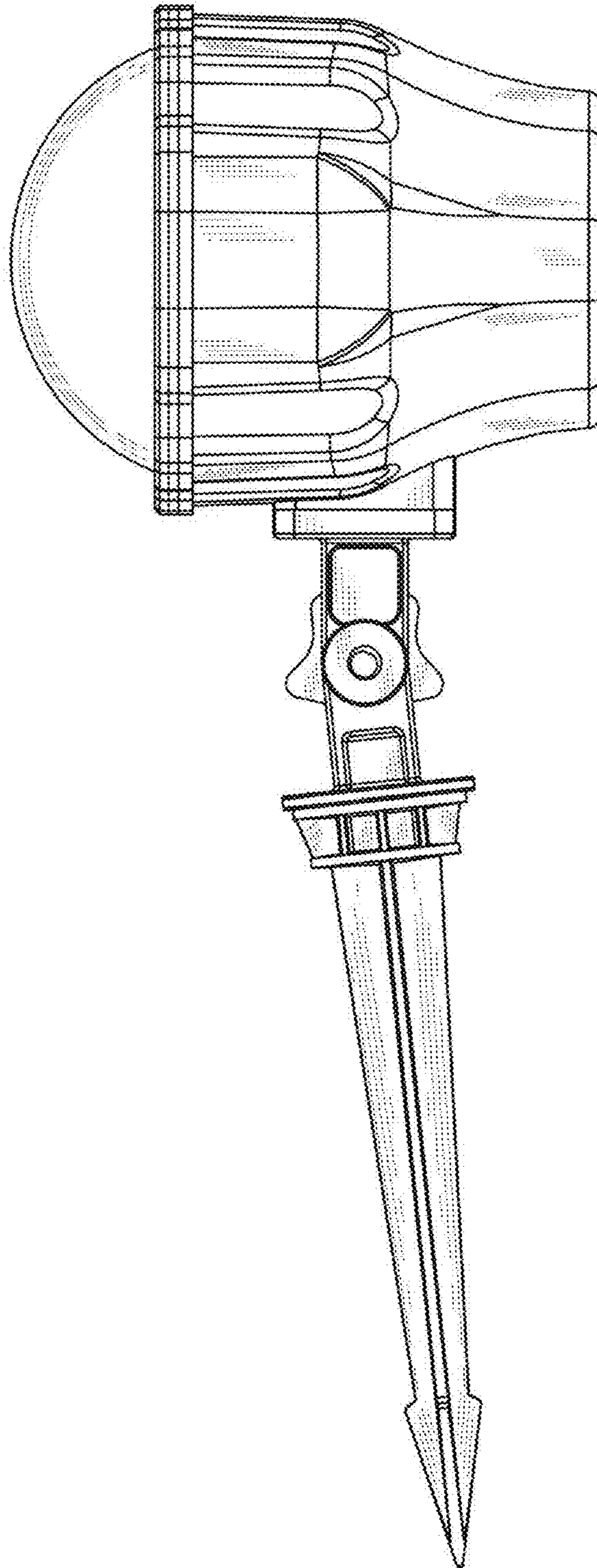


FIG.4

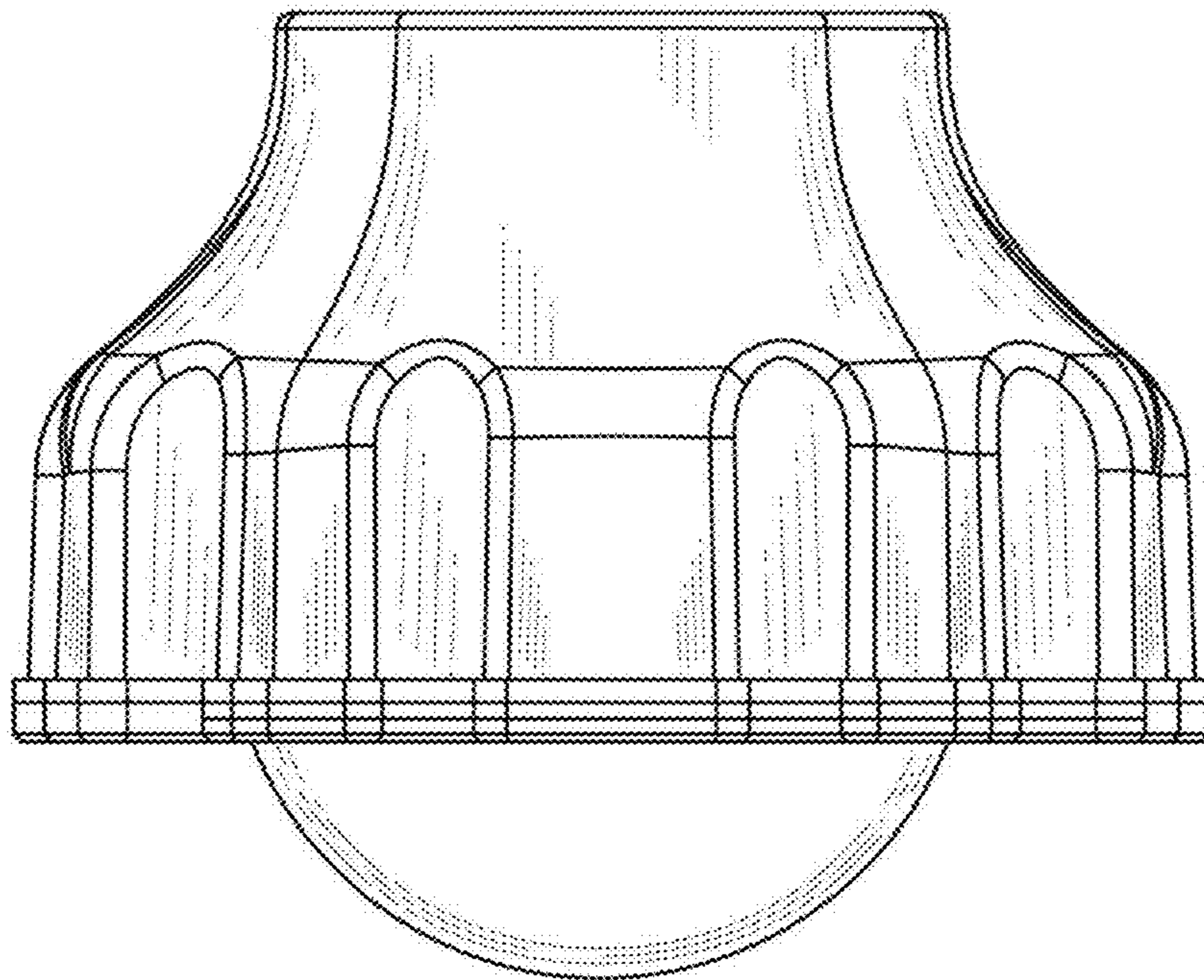


FIG.5

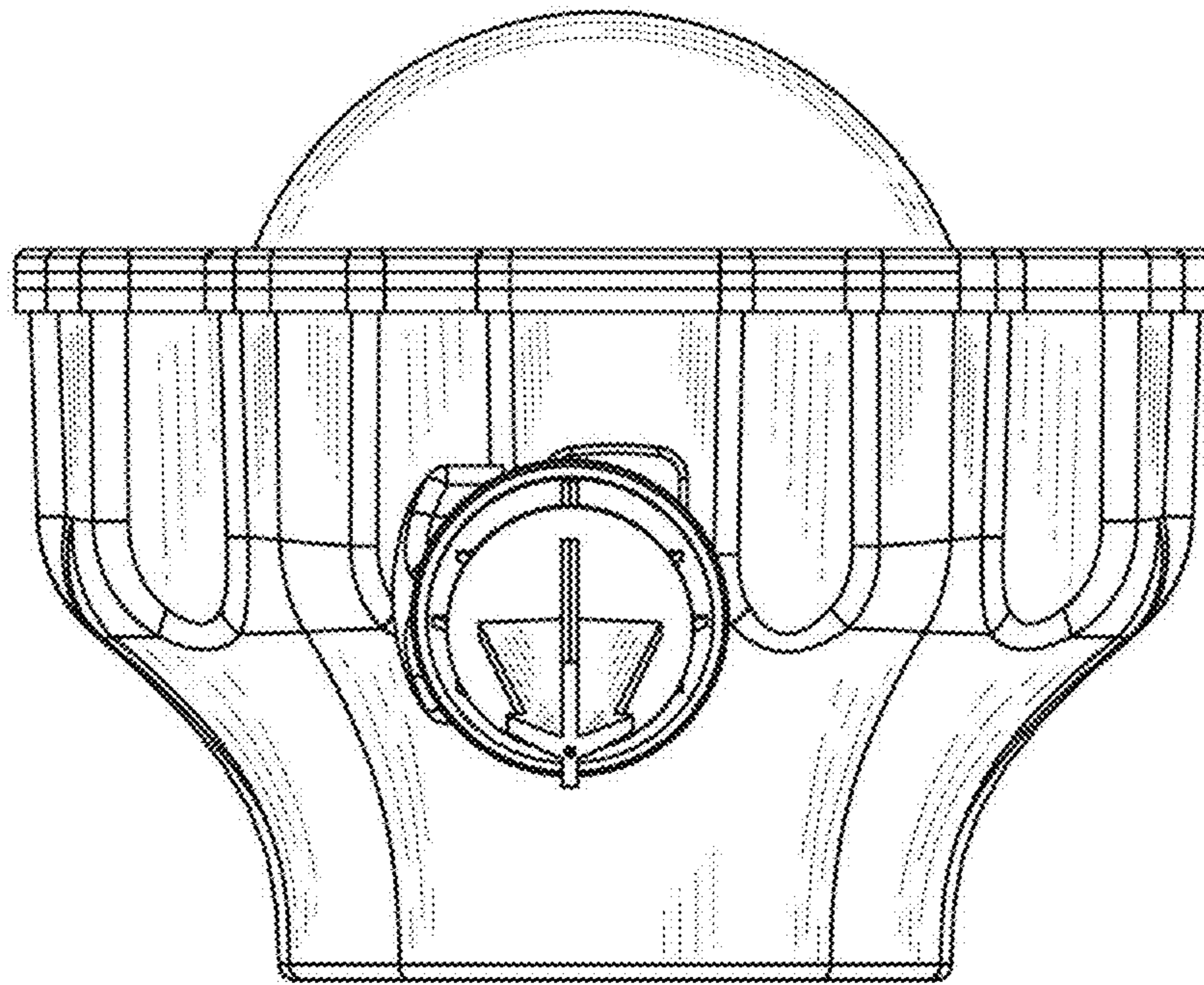


FIG.6

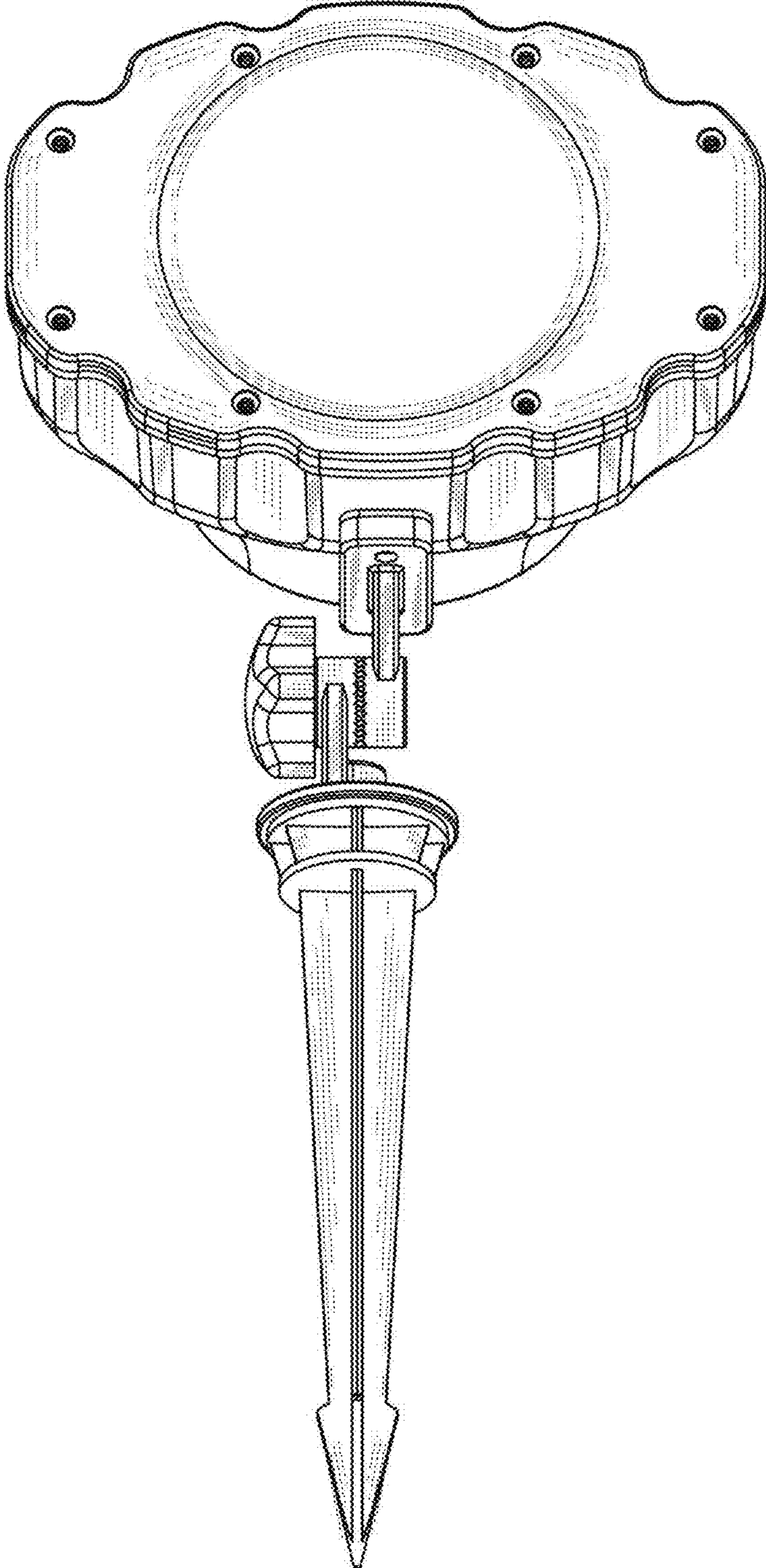


FIG.7