



US00D868329S

(12) **United States Design Patent**
Yang et al.

(10) **Patent No.:** **US D868,329 S**

(45) **Date of Patent:** **** Nov. 26, 2019**

(54) **CLIP LAMP**

(71) Applicant: **Qiuxian Yang**, Guizhou Province (CN)

(72) Inventors: **Qiuxian Yang**, Guizhou Province (CN);
Fengyi Wang, Sichuan Province (CN)

(**) Term: **15 Years**

(21) Appl. No.: **29/698,079**

(22) Filed: **Jul. 15, 2019**

(51) **LOC (12) Cl.** **26-05**

(52) **U.S. Cl.**
USPC **D26/60**

(58) **Field of Classification Search**
USPC D26/1, 24, 39, 60, 61, 62, 64-66, 72;
D8/72, 73, 394, 396; D10/104.1, 106.1,
D10/114.2, 114.3; D20/10, 16, 17, 19,
D20/21, 29; 362/157, 171, 362, 365,
362/368, 370, 473, 474, 486
CPC F21W 2107/00; F21W 2107/13; F21W
2107/17; F21S 9/00; F21S 9/02; F21S
9/22; F21S 41/18; F21S 41/19; F21S
41/192-41/198; F21S 8/00; F21S 8/02;
F21S 8/03; F21S 8/06; F21S 8/003; F21S
8/043; F21V 15/01; F21V 15/04
See application file for complete search history.

(56) **References Cited**

U.S. PATENT DOCUMENTS

D524,975 S * 7/2006 Oas D26/56
D564,687 S 3/2008 Bucher et al.

D571,179 S * 6/2008 Ahlgren D8/395
D613,439 S * 4/2010 Lee D26/60
D633,240 S * 2/2011 Cheng D26/60
D703,850 S * 4/2014 Alvarado D26/39
D775,391 S 12/2016 Law
D824,063 S * 7/2018 Hutchens D26/60
D825,823 S * 8/2018 Ren D26/107
D829,355 S 9/2018 Li
D843,039 S * 3/2019 Fan D26/60
D851,311 S * 6/2019 Fan D26/60

* cited by examiner

Primary Examiner — Wan Laymon
Assistant Examiner — Clint A Samuel

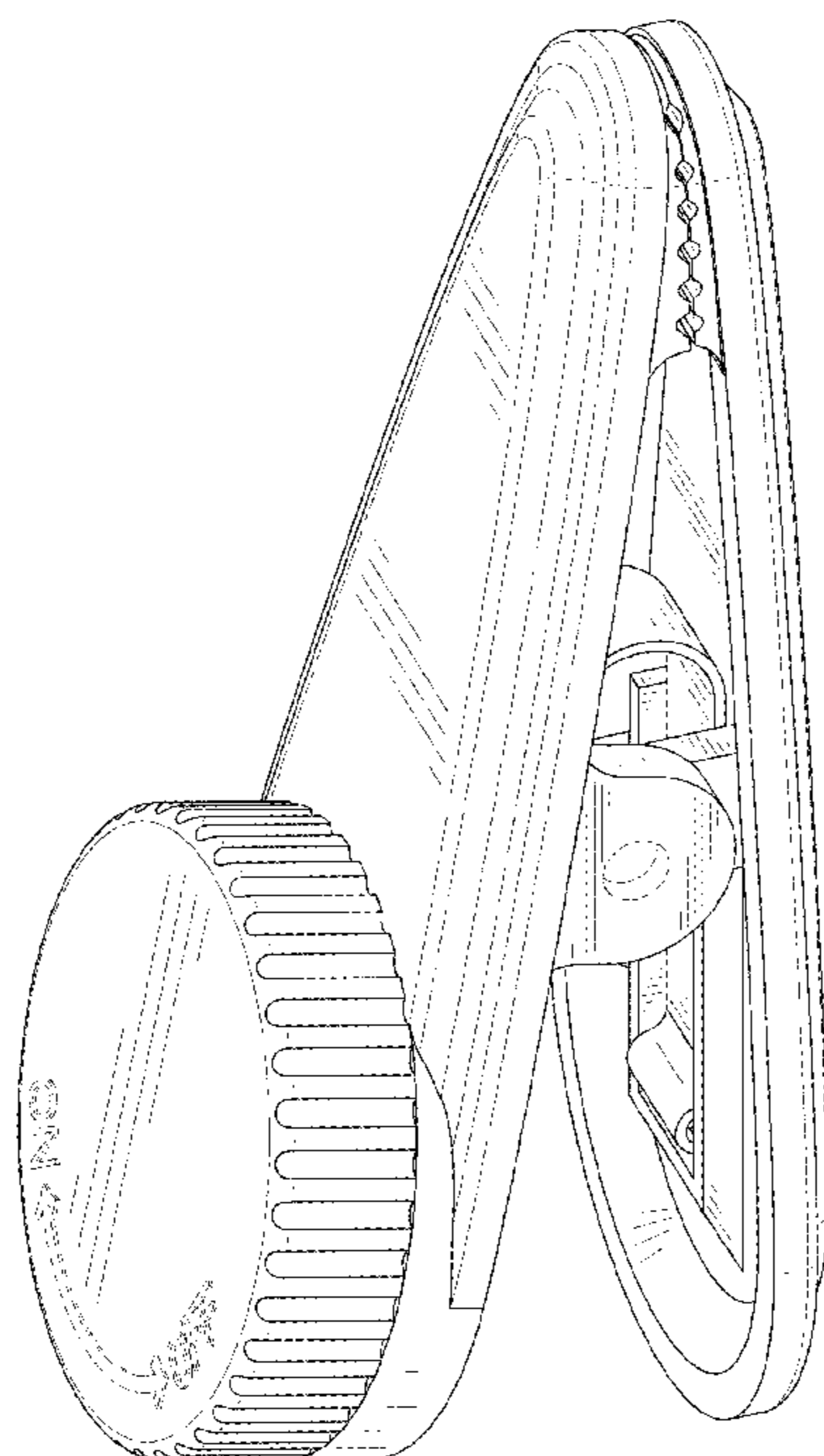
(57) **CLAIM**

The ornamental design for a clip lamp, as shown and described.

DESCRIPTION

FIG. 1 is a front and top perspective view of a clip lamp showing our new design;
FIG. 2 is a back and bottom perspective view thereof;
FIG. 3 is a front view thereof;
FIG. 4 is a back view thereof;
FIG. 5 is a left side view thereof;
FIG. 6 is a right side view thereof;
FIG. 7 is a top view thereof; and,
FIG. 8 is a bottom view thereof.
The broken lines in the figures illustrate portions of the clip lamp that form no part of the claimed design.

1 Claim, 8 Drawing Sheets



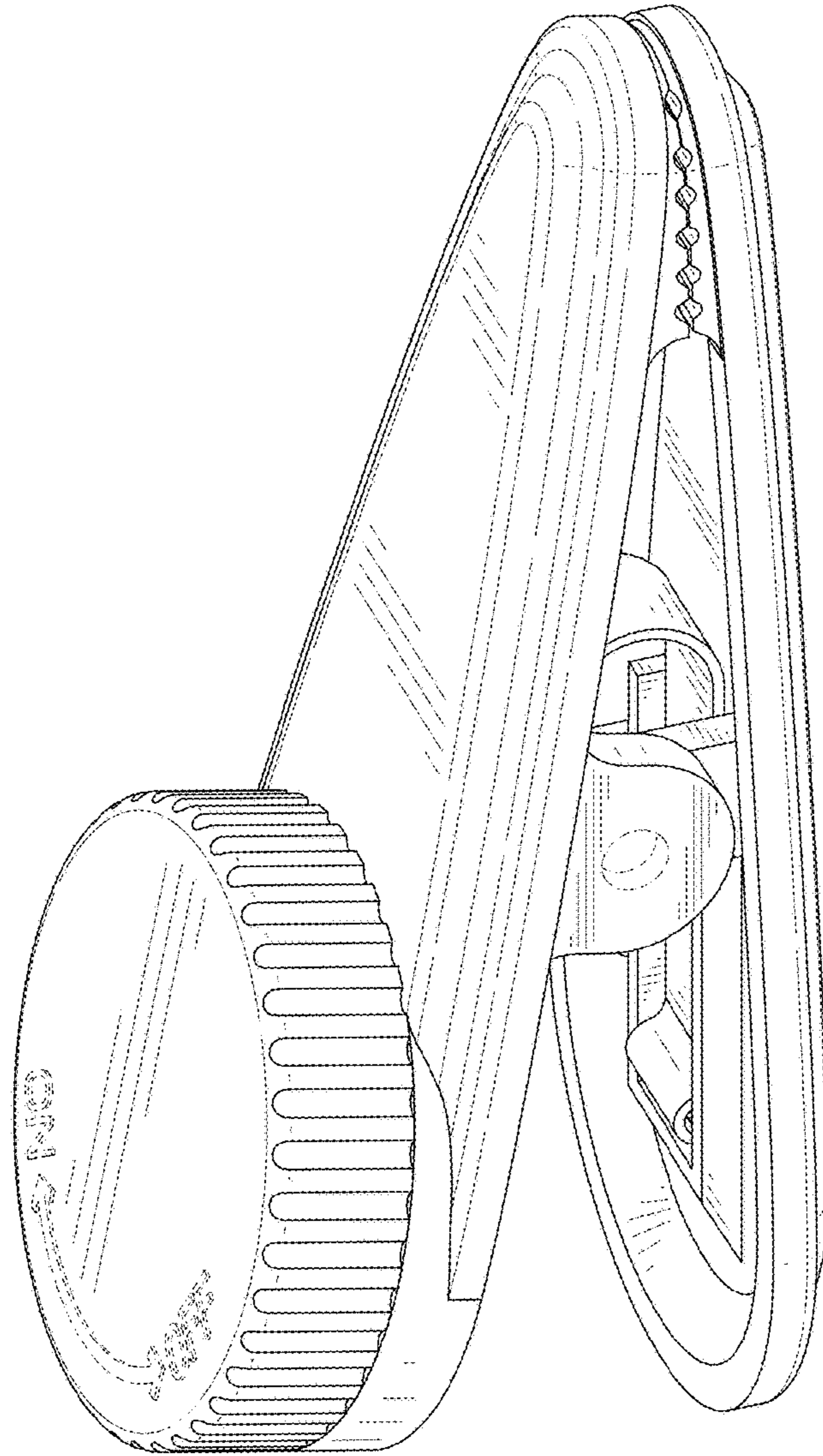


FIG. 1

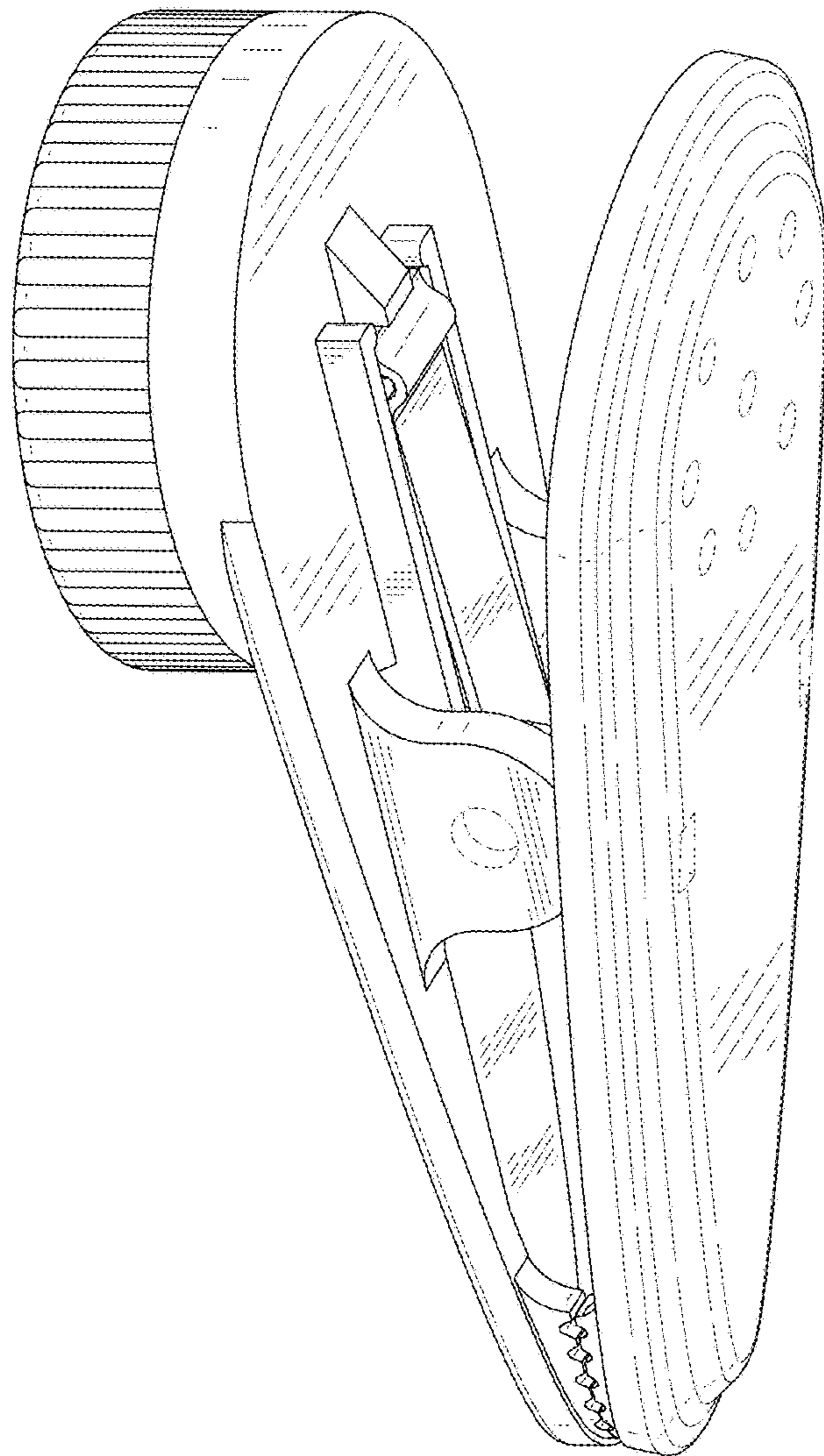


FIG. 2

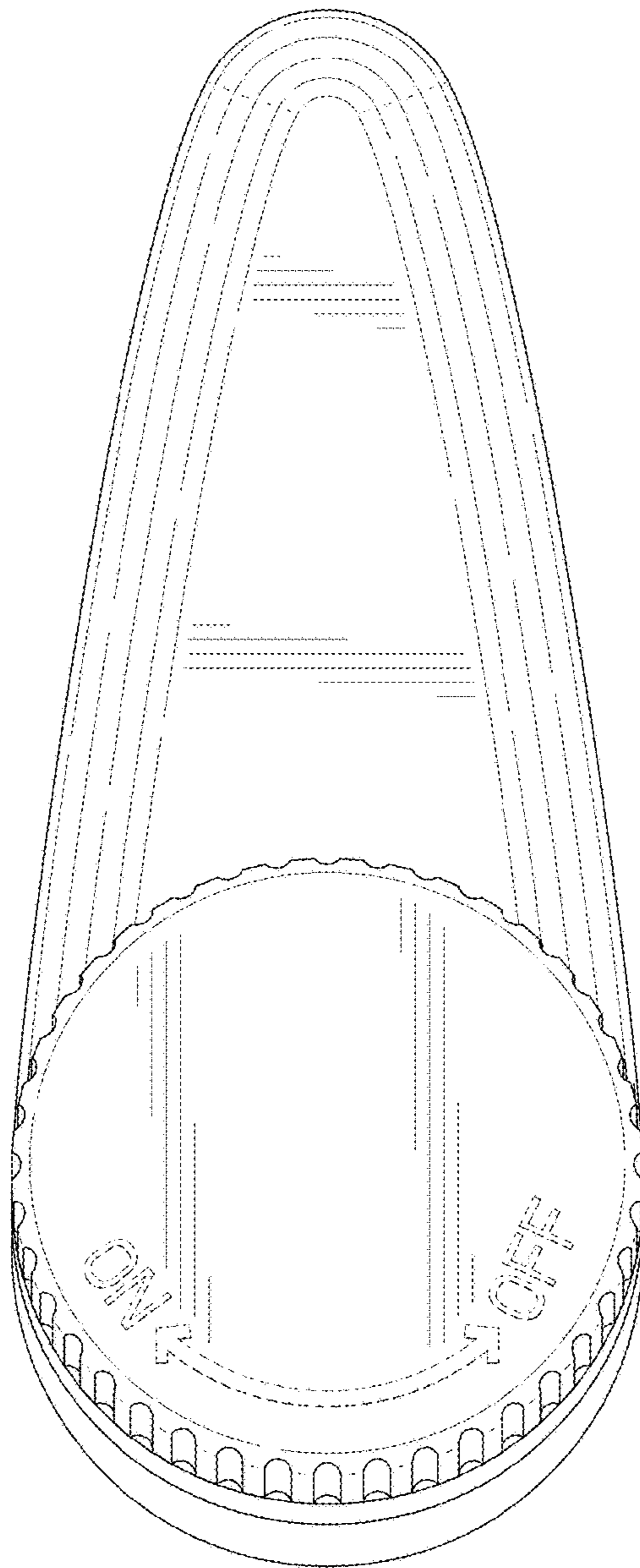


FIG. 3

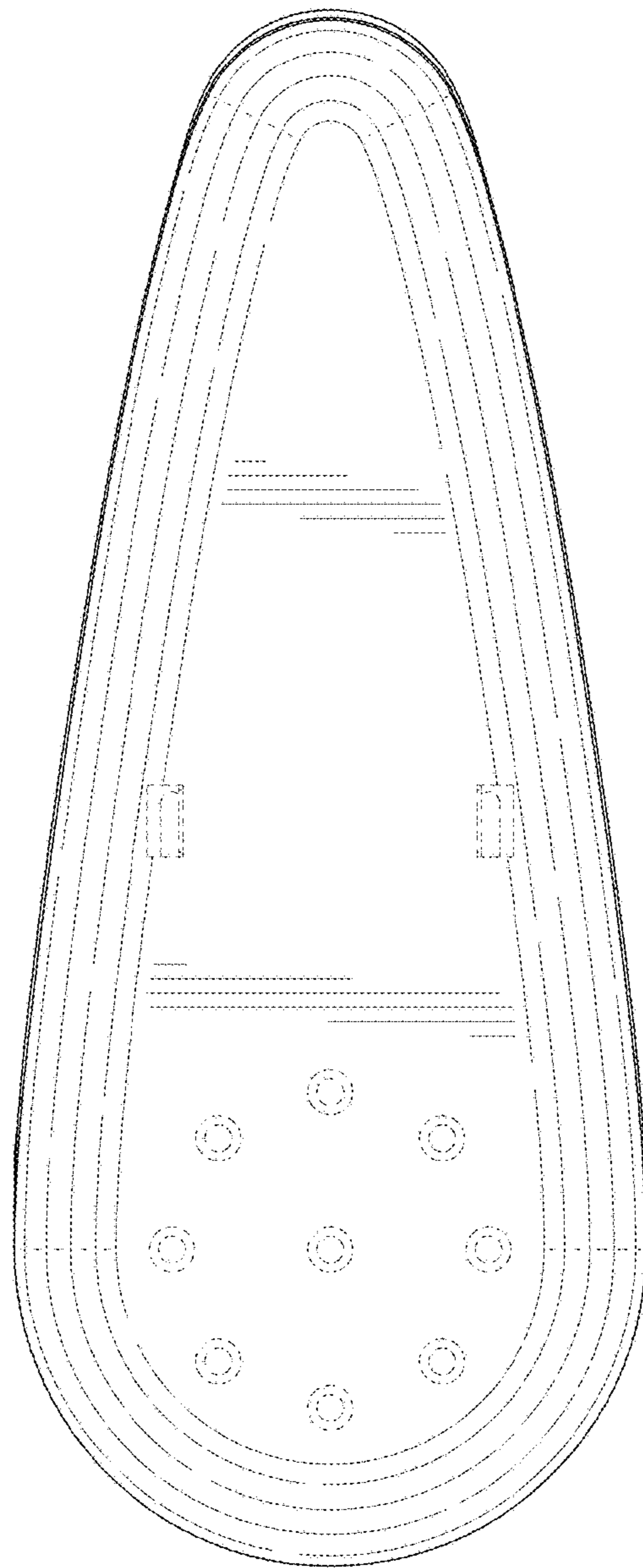


FIG. 4

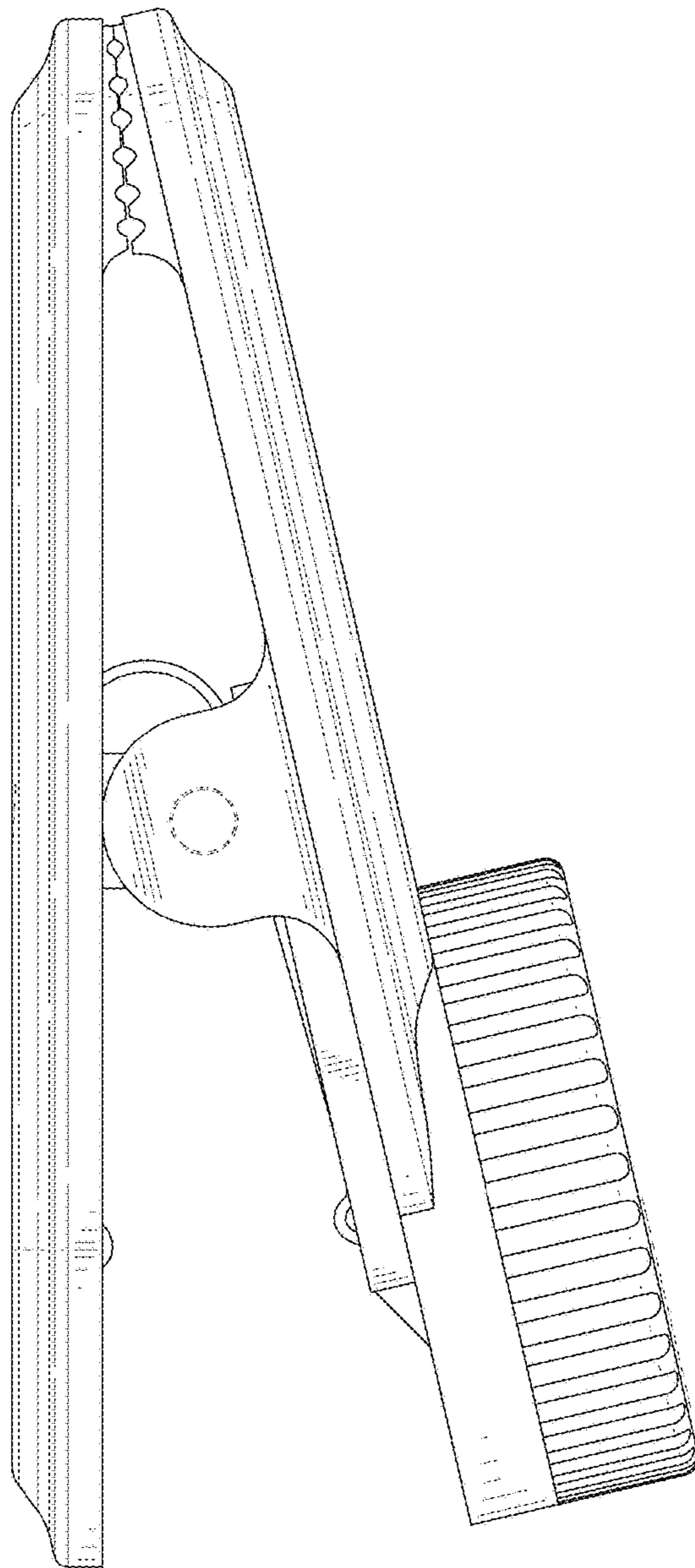


FIG. 5

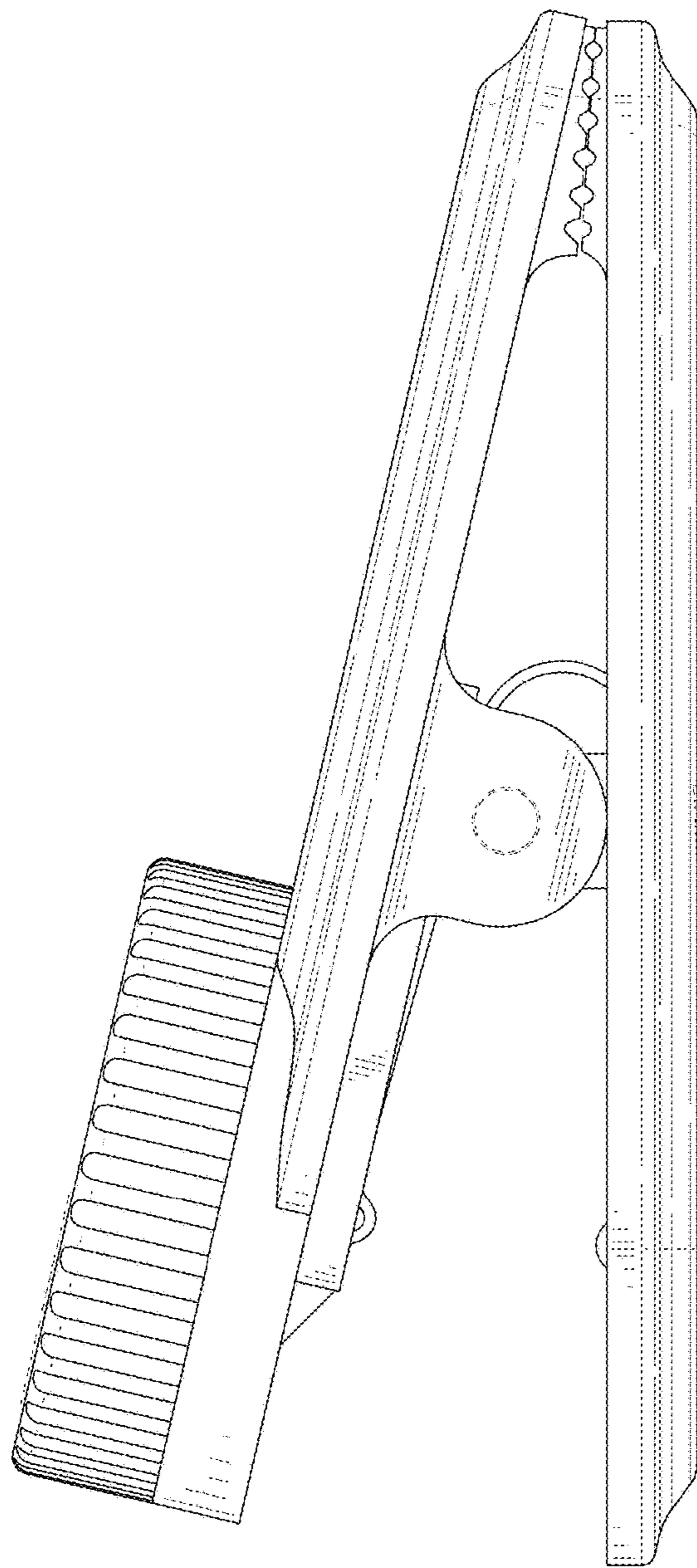


FIG. 6

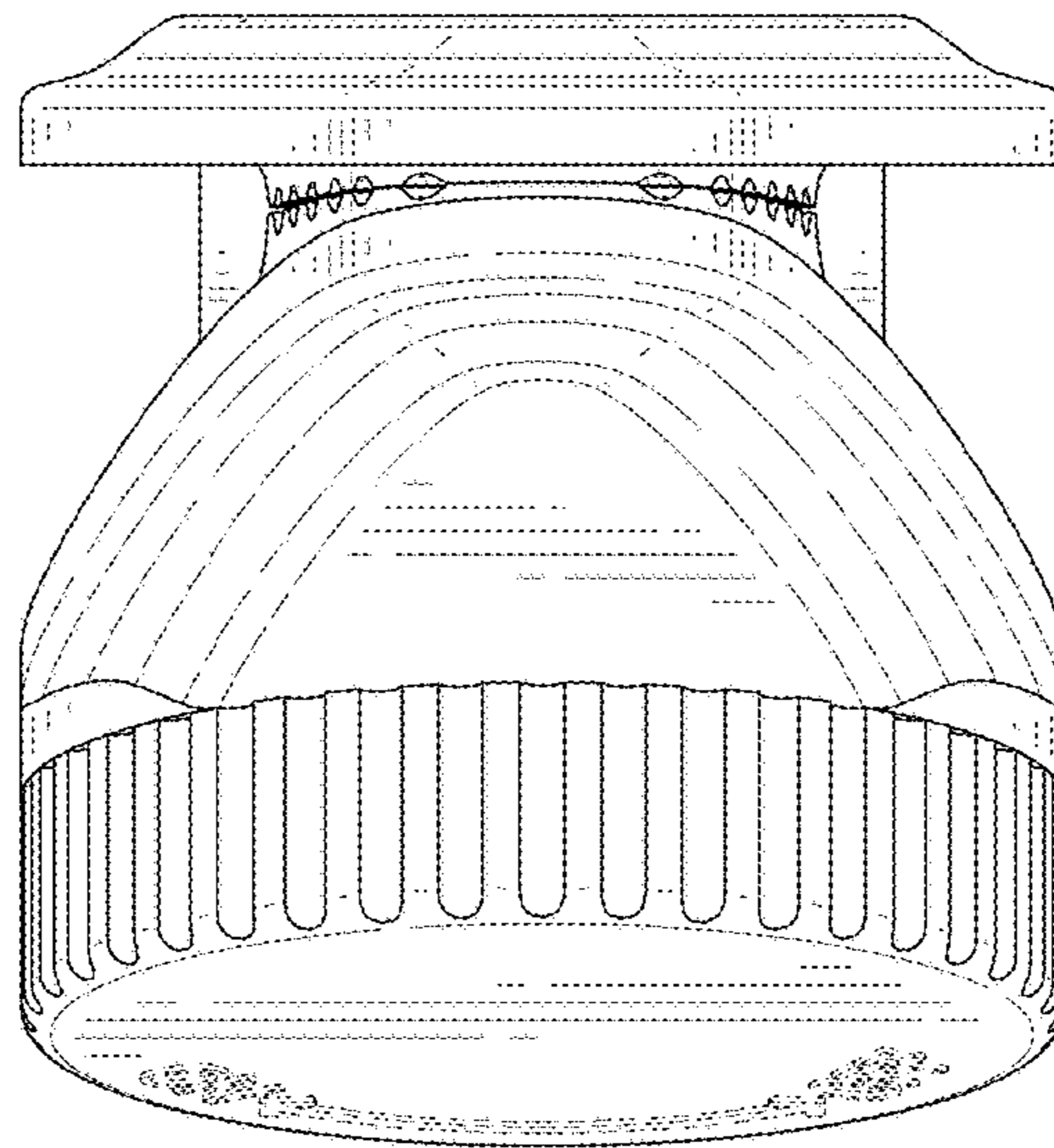


FIG. 7

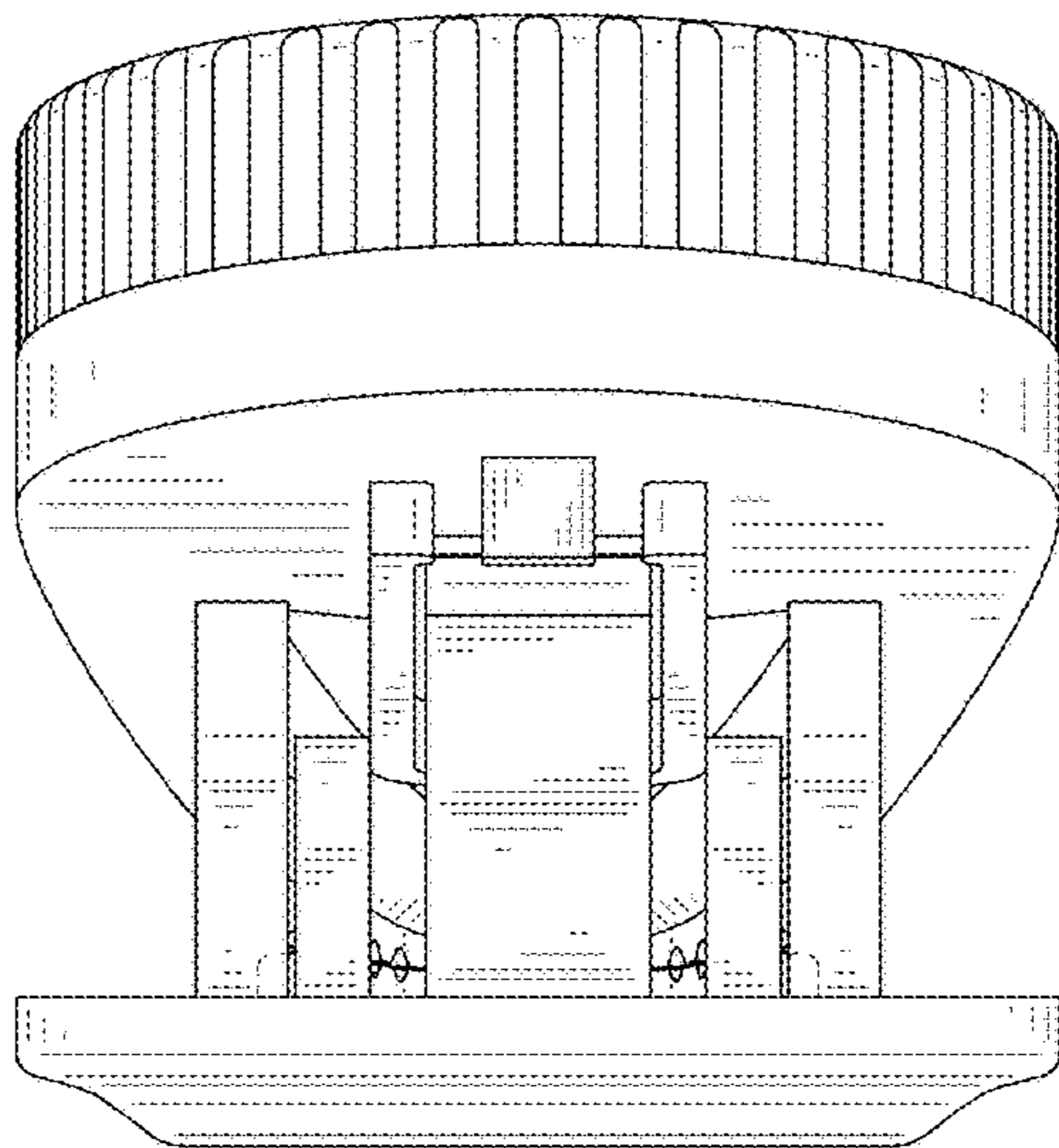


FIG. 8