



US00D868328S

(12) **United States Design Patent**
Chang

(10) **Patent No.:** **US D868,328 S**

(45) **Date of Patent:** **** Nov. 26, 2019**

(54) **LED LAMP FAN**

(71) Applicant: **Herman Chang**, Rancho Dominguez,
CA (US)

(72) Inventor: **Herman Chang**, Rancho Dominguez,
CA (US)

(**) Term: **15 Years**

(21) Appl. No.: **29/621,976**

(22) Filed: **Oct. 12, 2017**

(51) **LOC (12) Cl.** **26-03**

(52) **U.S. Cl.**
USPC **D26/59; D26/63**

(58) **Field of Classification Search**
USPC ... D26/1, 24, 61, 63, 65, 85, 92, 59, 38, 49,
D26/106, 107; D23/370, 378
CPC F21V 21/14; F21V 15/01; F21V 14/02;
F21V 21/30; F21V 21/00; F21V 14/00;
F21S 8/00; F21S 8/003; F21S 8/043;
F21Y 2105/001

See application file for complete search history.

(56) **References Cited**

U.S. PATENT DOCUMENTS

D200,549 S * 3/1965 Nunn, Jr. D10/114.8
D515,235 S * 2/2006 Opolka D26/107
D654,199 S * 2/2012 Xie D26/63

D667,976 S * 9/2012 Wu D26/49
8,613,601 B2 * 12/2013 Helps F04D 25/08
417/198
D729,377 S * 5/2015 Chen D23/378
D729,925 S * 5/2015 McPherson D23/370
D800,937 S * 10/2017 Li D26/63
D818,168 S * 5/2018 Chang D26/59

* cited by examiner

Primary Examiner — Brian N. Vinson

(74) *Attorney, Agent, or Firm* — Stefan J. Kirchanski;
Matthew J. Spark; Zuber Lawler & Del Duca LLP

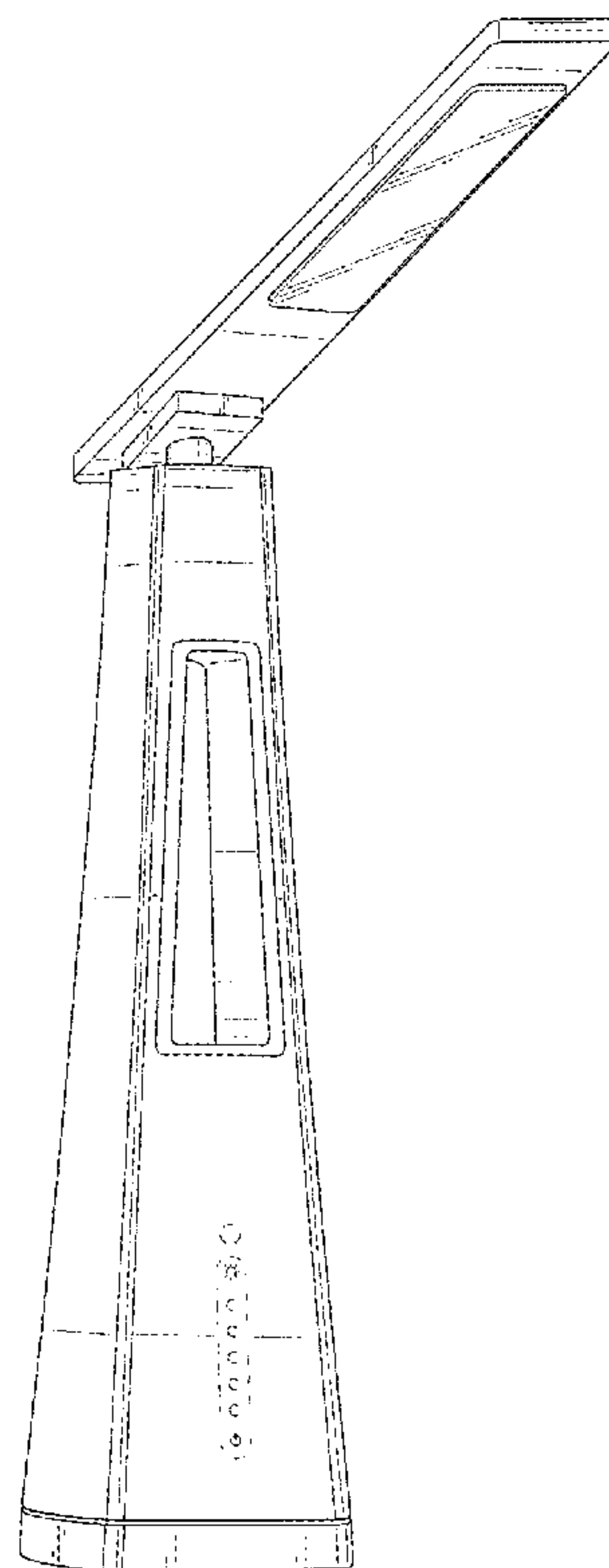
(57) **CLAIM**

The ornamental design for an LED lamp fan, as shown and described.

DESCRIPTION

FIG. 1 is a left perspective view of an LED lamp fan showing my new design;
FIG. 2 is a front view thereof;
FIG. 3 is a back view thereof;
FIG. 4 is a left side view thereof;
FIG. 5 is a right side view thereof;
FIG. 6 is a bottom view thereof;
FIG. 7 is a top view thereof;
FIG. 8 is a front right perspective view of the LED lamp fan, shown in a position of use;
FIG. 9 is a front view thereof; and,
FIG. 10 is a back view thereof.

1 Claim, 10 Drawing Sheets



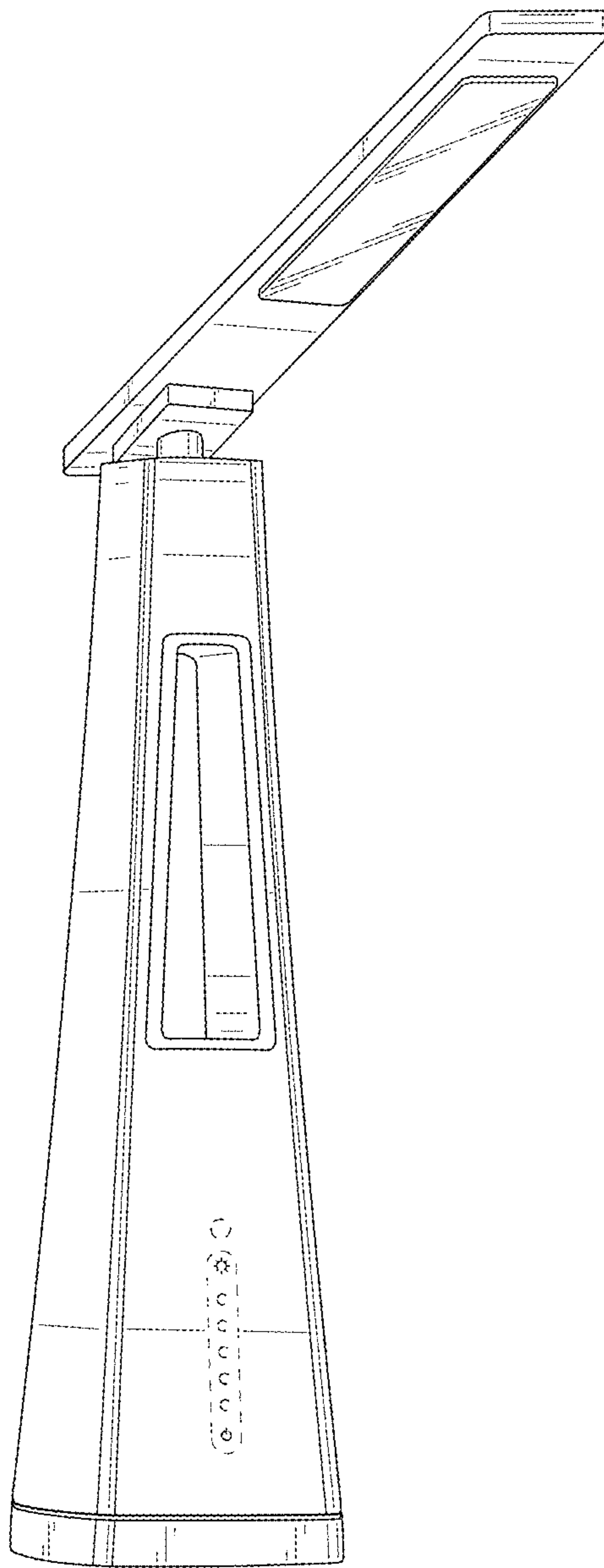


FIG. 1

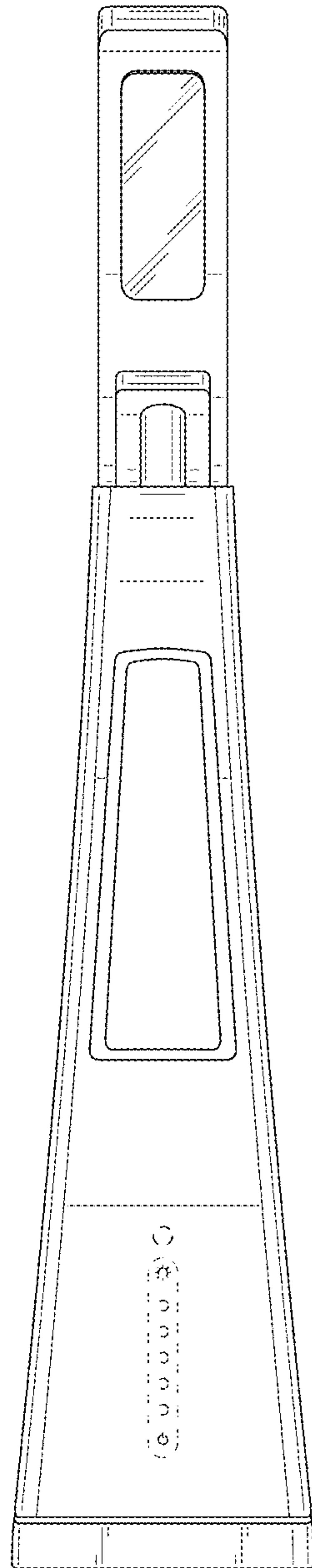


FIG. 2

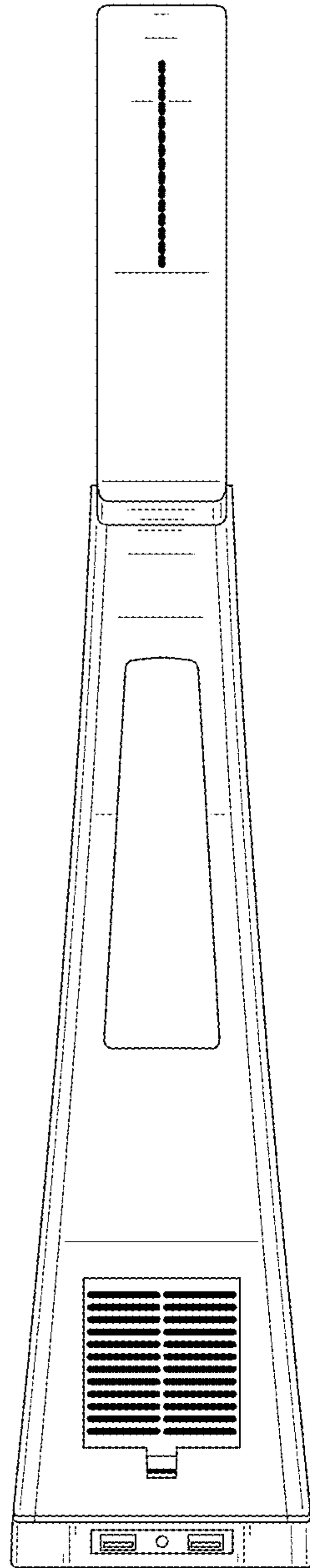


FIG. 3

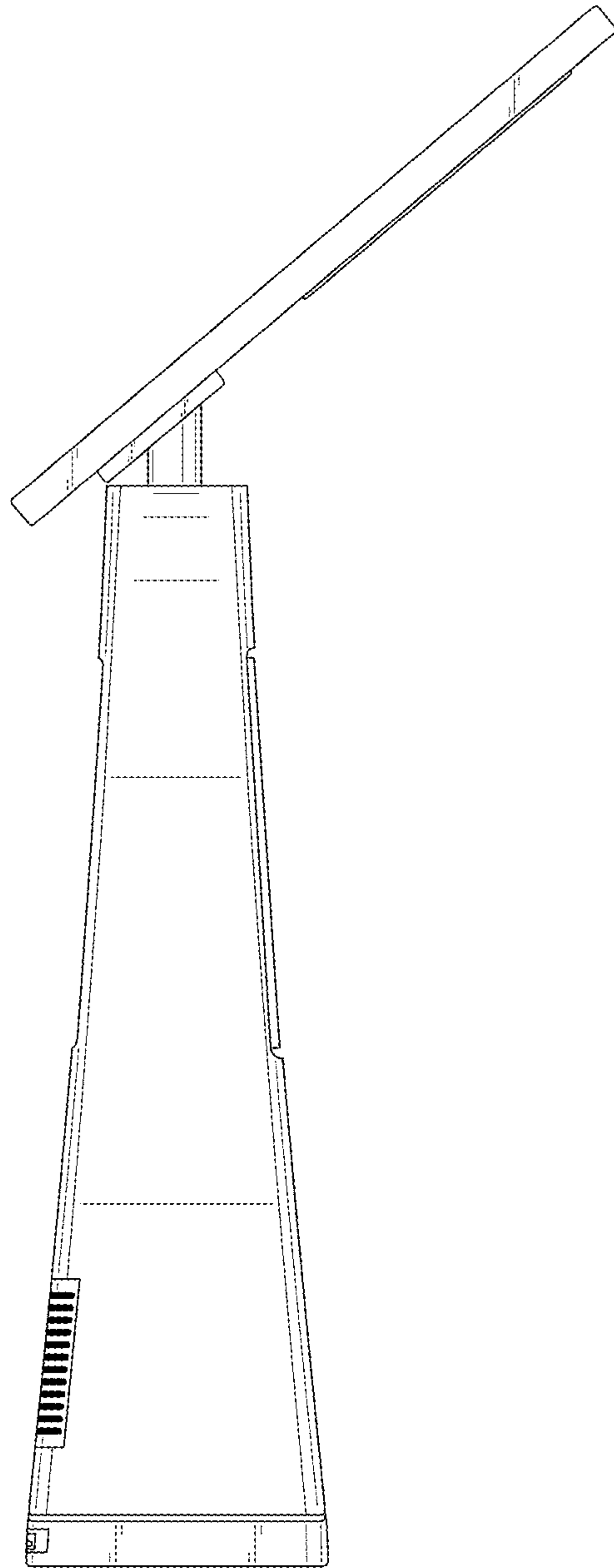


FIG. 4

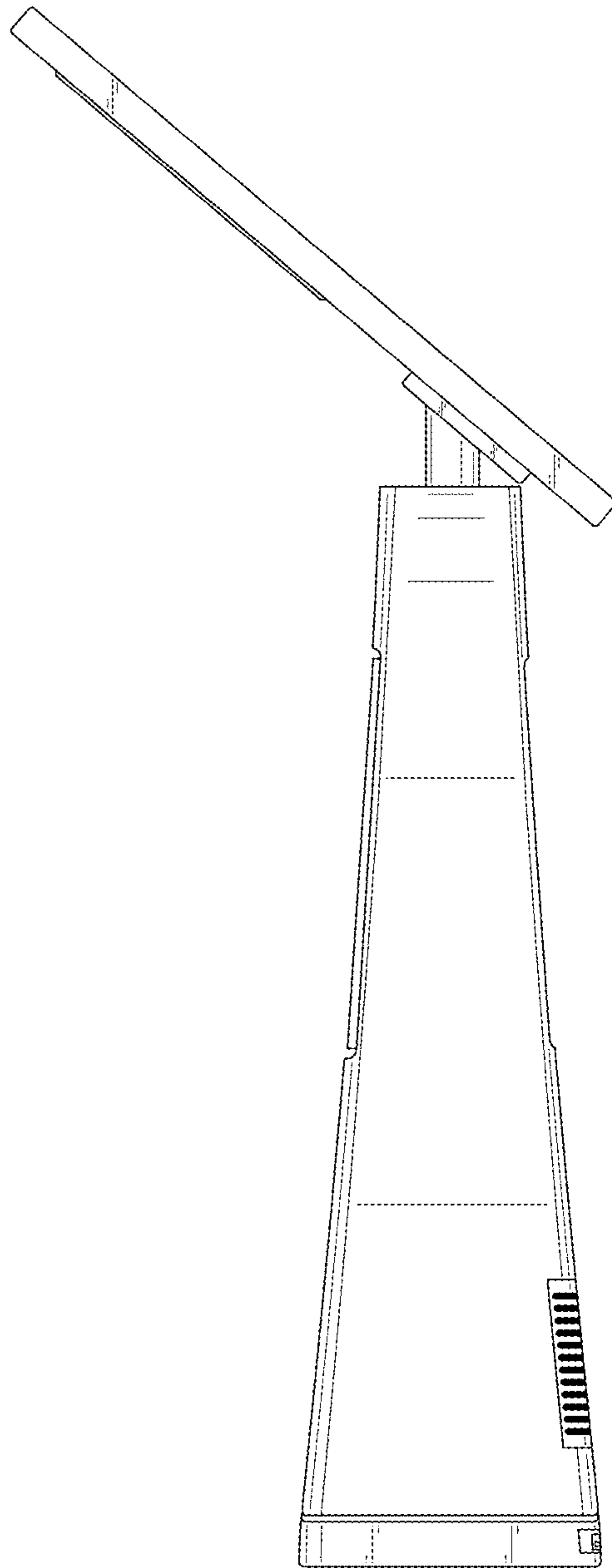


FIG. 5

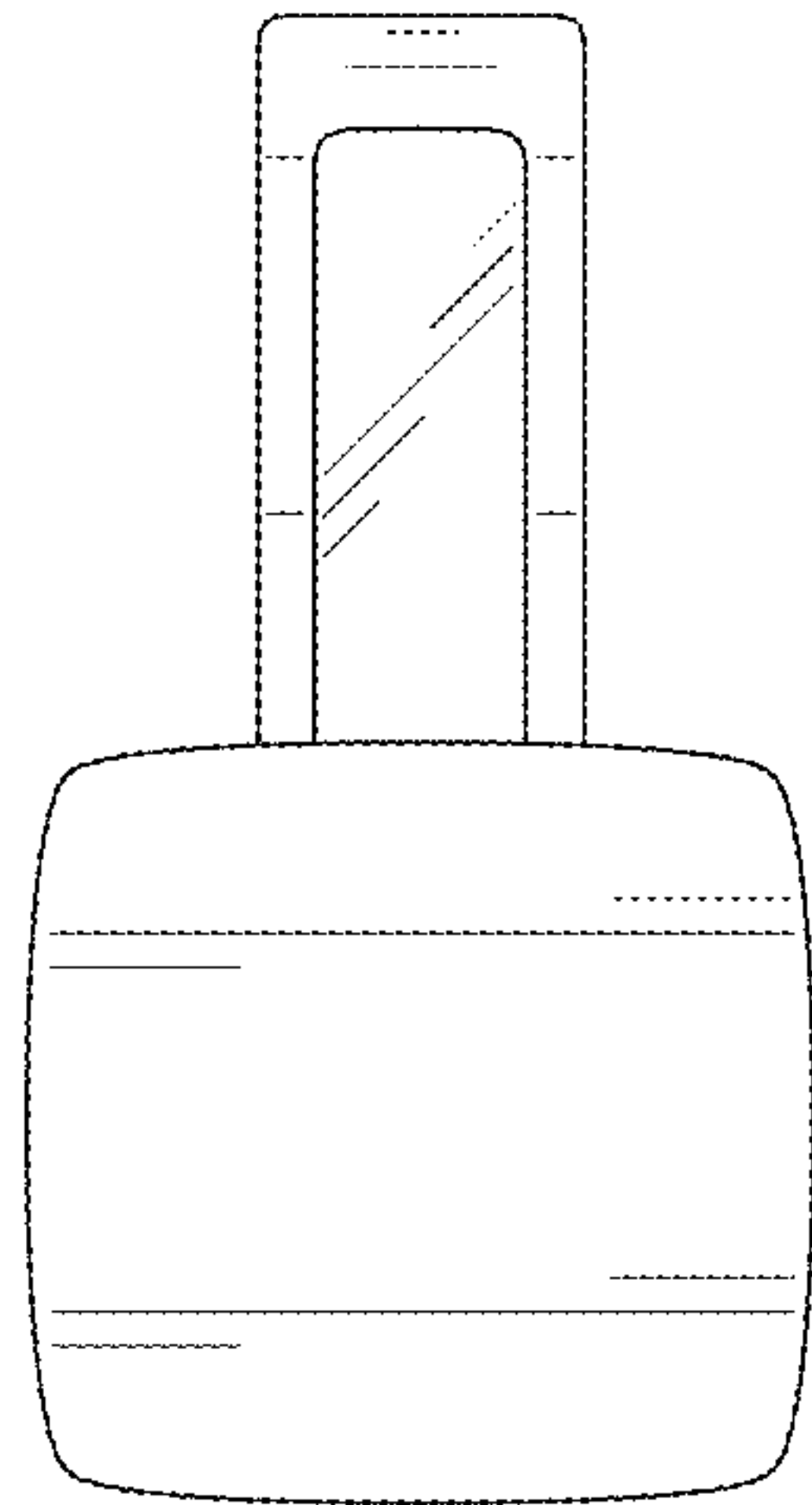


FIG. 6

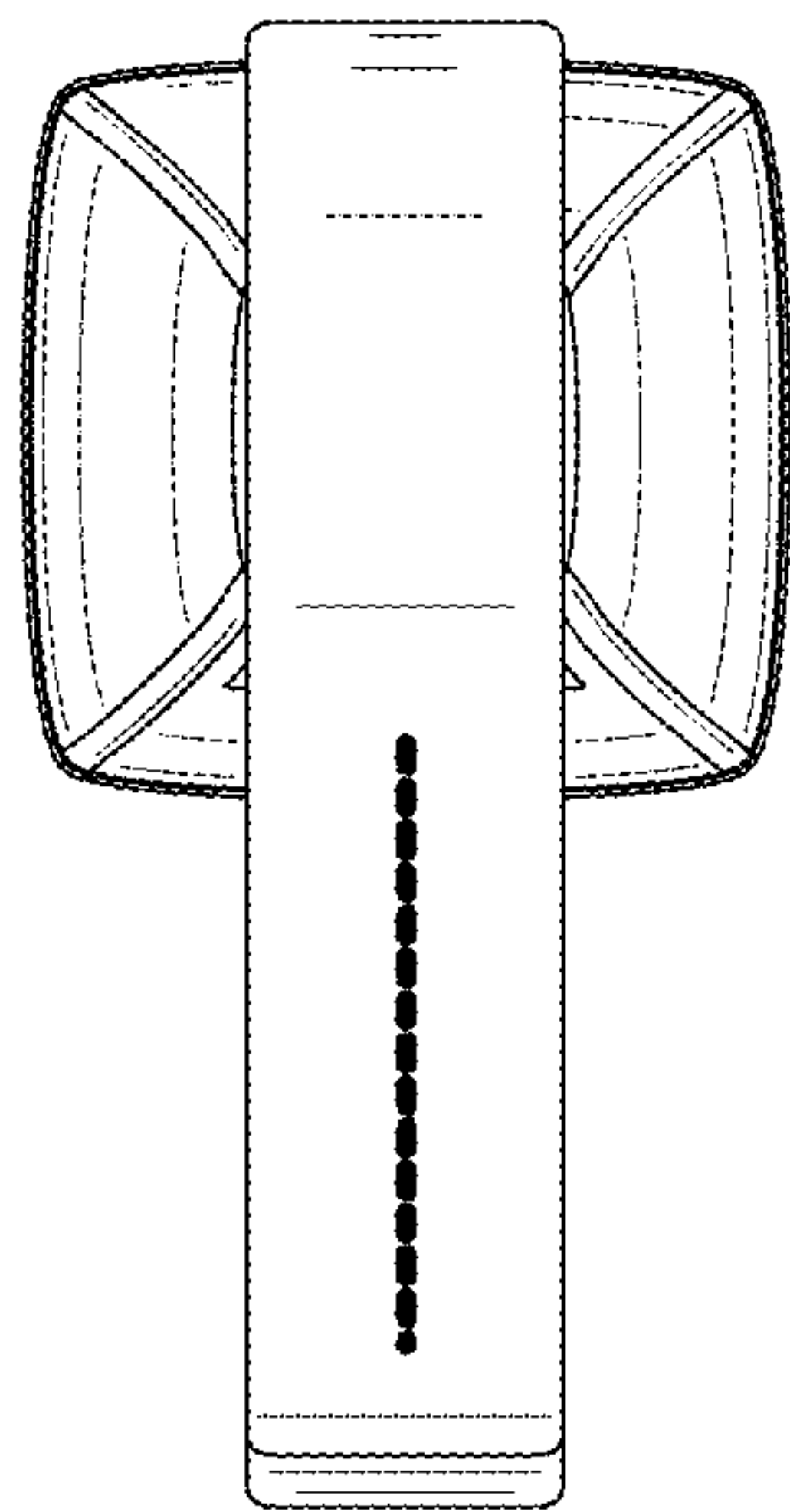


FIG. 7

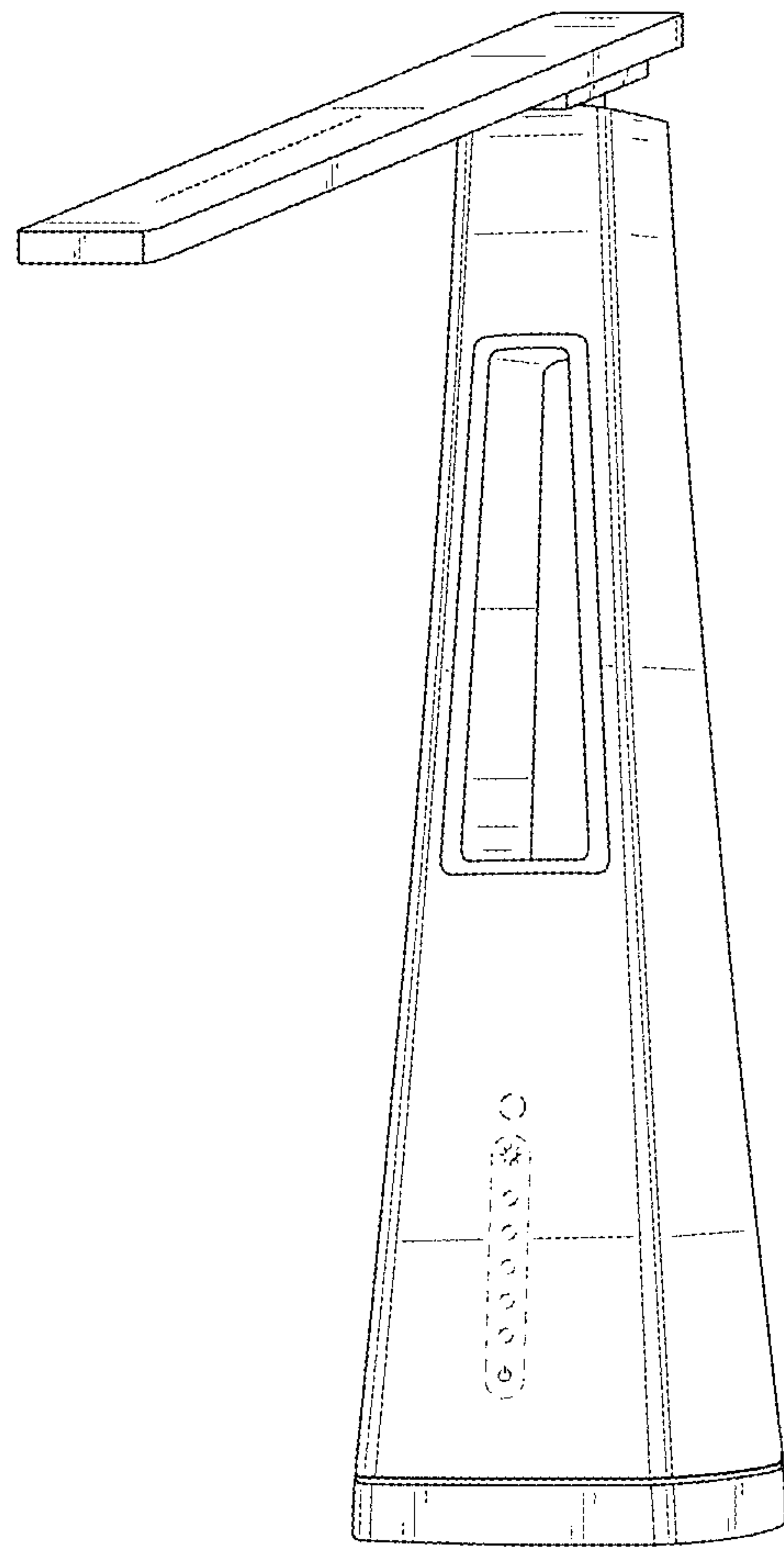


FIG. 8

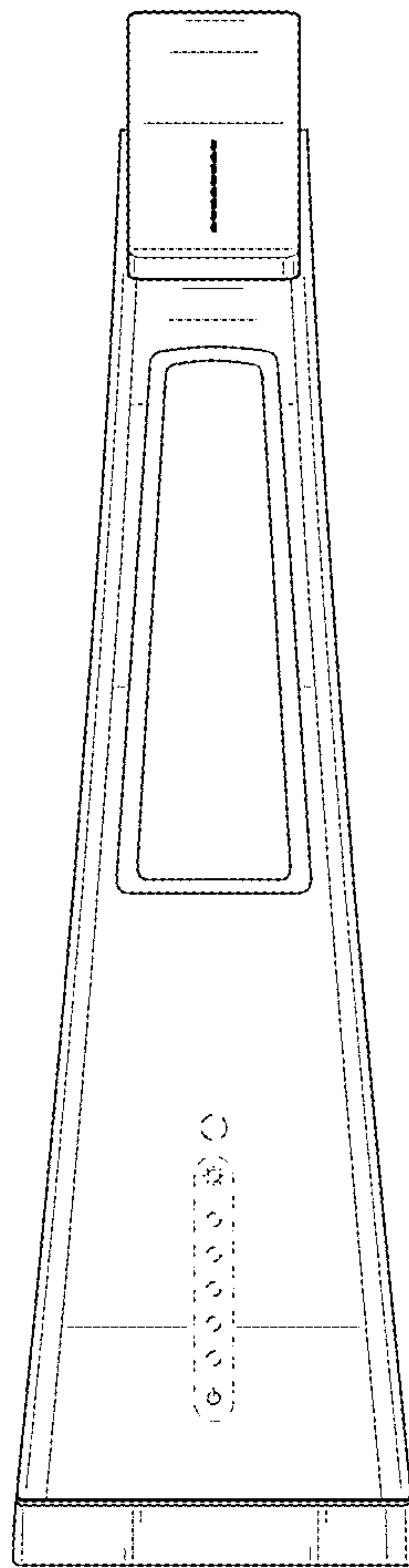


FIG. 9

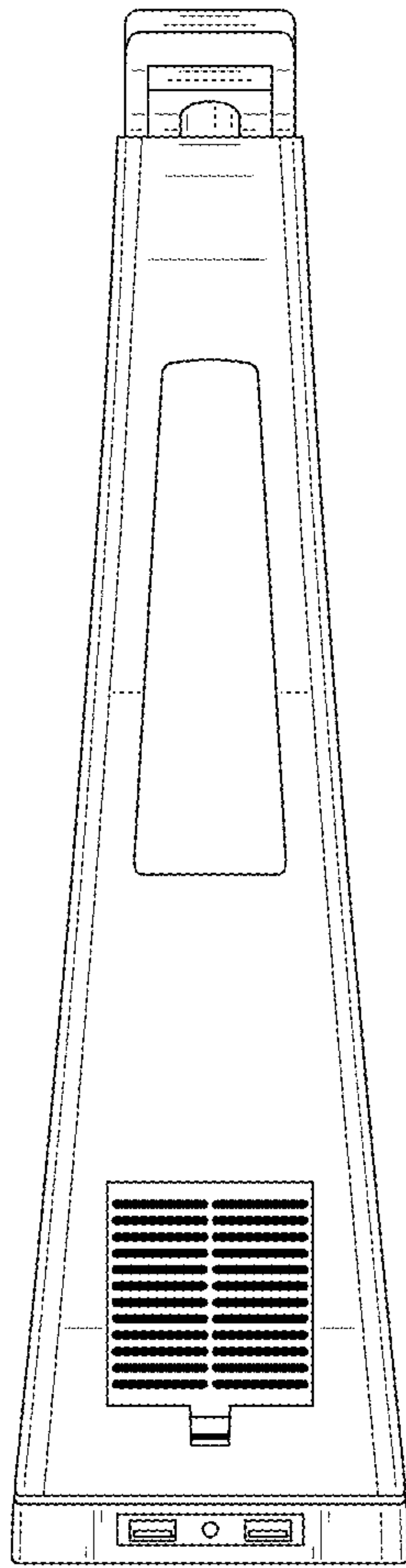


FIG. 10