



US00D868327S

(12) **United States Design Patent** (10) **Patent No.:** **US D868,327 S**  
**Wu** (45) **Date of Patent:** **\*\* Nov. 26, 2019**

- (54) **CAMPING LAMP WITH FAN**
- (71) Applicant: **WENZHOU SORBO TECHNOLOGY CO., LTD.**,  
Wenzhou, Zhejiang (CN)
- (72) Inventor: **Jianjun Wu**, Zhejiang (CN)
- (73) Assignee: **WENZHOU SORBO TECHNOLOGY CO., LTD.**,  
Wenzhou, Zhejiang (CN)
- (\*\*) Term: **15 Years**
- (21) Appl. No.: **29/615,123**
- (22) Filed: **Aug. 25, 2017**
- (51) **LOC (12) Cl.** ..... **23-04**
- (52) **U.S. Cl.**  
USPC ..... **D26/59; D2/382**
- (58) **Field of Classification Search**  
USPC ..... **D23/370-379, 381-385, 411-414, 360,**  
**D23/314, 335, 328, 332**  
CPC . **F04D 5/00; F04D 27/00; F04D 25/10; F04D**  
**29/64; F04D 19/00; F24H 3/04; B65D**  
**71/00**  
See application file for complete search history.

(56) **References Cited**

**U.S. PATENT DOCUMENTS**

D322,844 S *	12/1991	Leon, Jr. ....	D23/382
D351,901 S *	10/1994	Boruch .....	D23/328
D401,312 S *	11/1998	Upchurch .....	D23/328
D428,172 S *	7/2000	Yuen .....	D26/38
D431,661 S *	10/2000	Yuen .....	D26/38
D434,840 S *	12/2000	Schaefer .....	D23/328
D440,288 S *	4/2001	Schaefer .....	D23/328
D443,053 S *	5/2001	Schaefer .....	D23/328
D457,613 S *	5/2002	Schaefer .....	D23/328
D500,567 S *	1/2005	Henry .....	D26/59
D539,402 S *	3/2007	Blateri .....	D23/336
D544,595 S *	6/2007	Kung .....	D23/328
D617,440 S *	6/2010	Ching .....	D23/382

D674,476 S *	1/2013	Junkel .....	D23/370
D675,310 S *	1/2013	Zhu .....	D23/370
D684,249 S *	6/2013	Herbst .....	D23/370
D686,309 S *	7/2013	Kokawa .....	D23/382
D727,488 S *	4/2015	Hsu .....	D23/382
D738,118 S *	9/2015	Gyanendra .....	D6/310
D776,315 S *	1/2017	Wu .....	D26/41
D777,899 S *	1/2017	Wark .....	D23/370
D824,012 S *	7/2018	Xu .....	D23/382

(Continued)

**OTHER PUBLICATIONS**

Outdoor Camping Light Lamp With Cooling Fan, YouTube, May 12, 2017, <https://www.youtube.com/watch?v=y6cAj73W4n0> (Year: 2017).\*

*Primary Examiner* — Janice Hallmark

(74) *Attorney, Agent, or Firm* — Christensen, Fonder, Dardi & Herbert PLLC

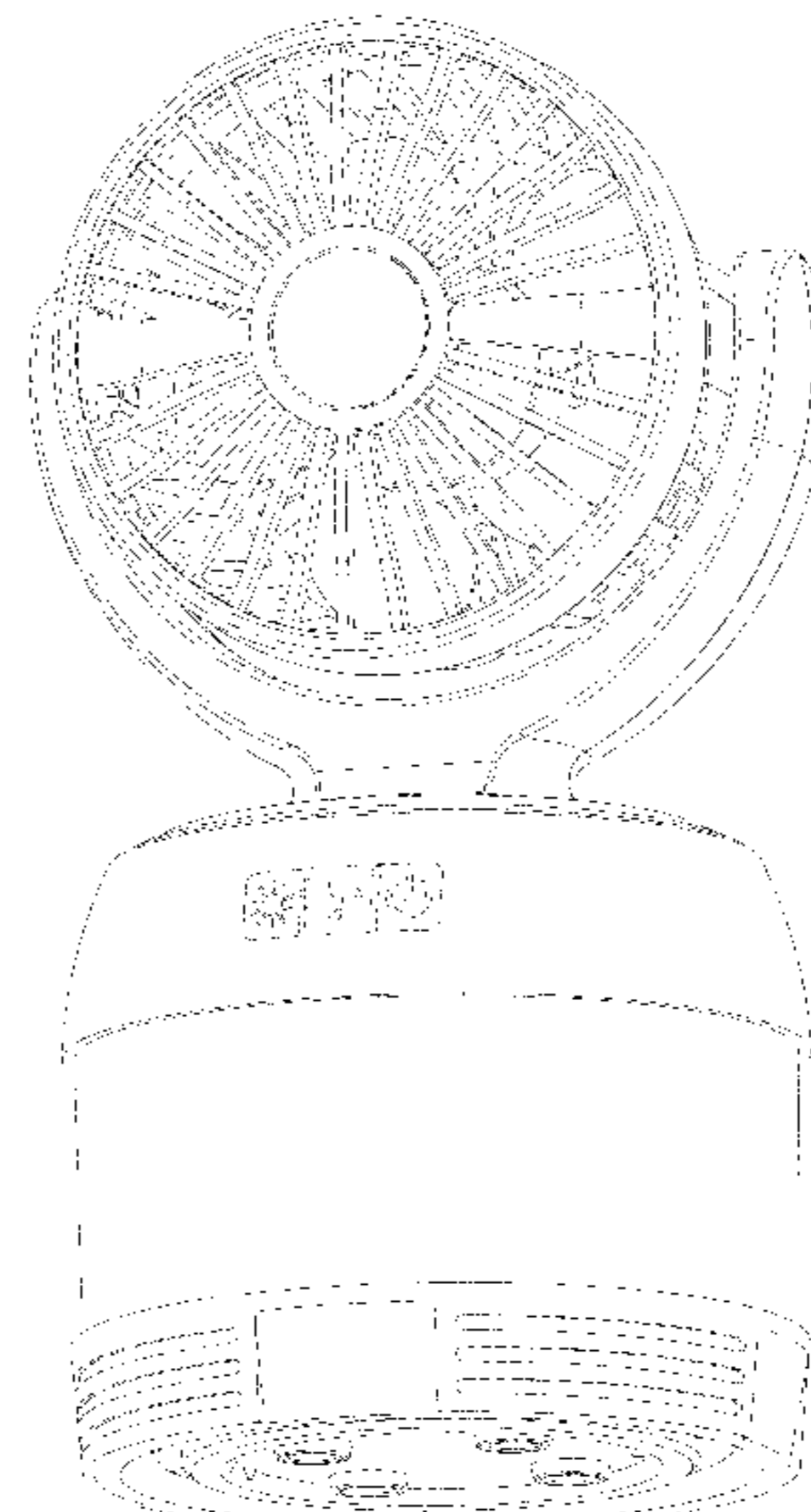
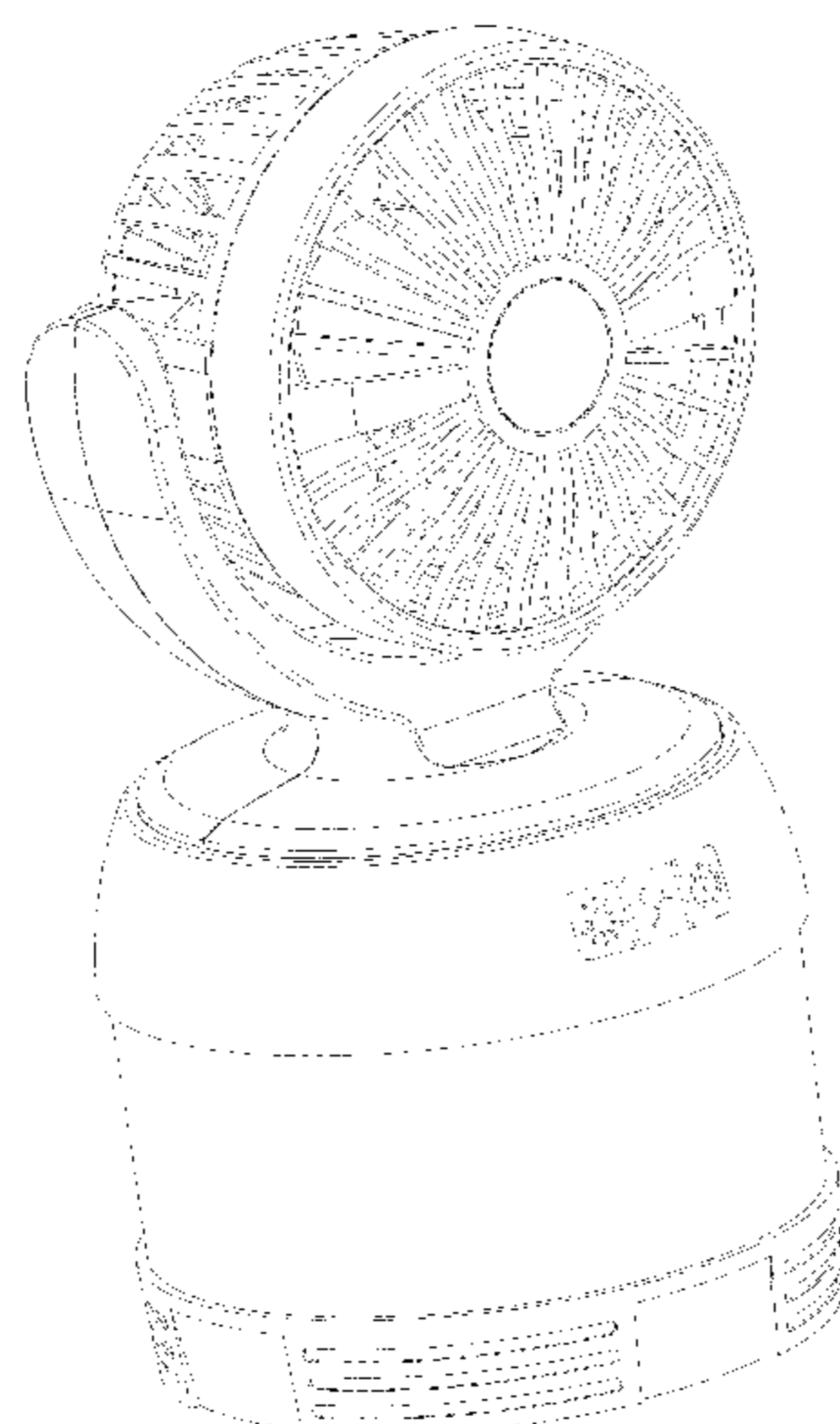
(57) **CLAIM**

I claim the ornamental design for a camping lamp with fan, as shown and described.

**DESCRIPTION**

FIG. 1 is a front view of a camping lamp with fan.  
 FIG. 2 is a rear view of a camping lamp with fan.  
 FIG. 3 is a left-side view of a camping lamp with fan.  
 FIG. 4 is a right-side view of a camping lamp with fan.  
 FIG. 5 is a top view of a camping lamp with fan.  
 FIG. 6 is a bottom view of a camping lamp with fan.  
 FIG. 7 is a front, left-side perspective view of a camping lamp with fan.  
 FIG. 8 is a top, rear perspective view of a camping lamp with fan; and,  
 FIG. 9 is a bottom, front perspective view of a camping lamp with fan.  
 The broken lines illustrated in the figures represent unclaimed portions of the lamp, and form no part of the claimed design.

**1 Claim, 9 Drawing Sheets**



(56)

**References Cited**

U.S. PATENT DOCUMENTS

D837,963 S *	1/2019	Xu .....	D23/382
10,206,486 B2 *	2/2019	Zimmerman .....	A45D 42/10
D846,728 S *	4/2019	Wang .....	D23/382
D847,573 S *	5/2019	Xu .....	D7/507
D855,171 S *	7/2019	Xu .....	D23/382

\* cited by examiner

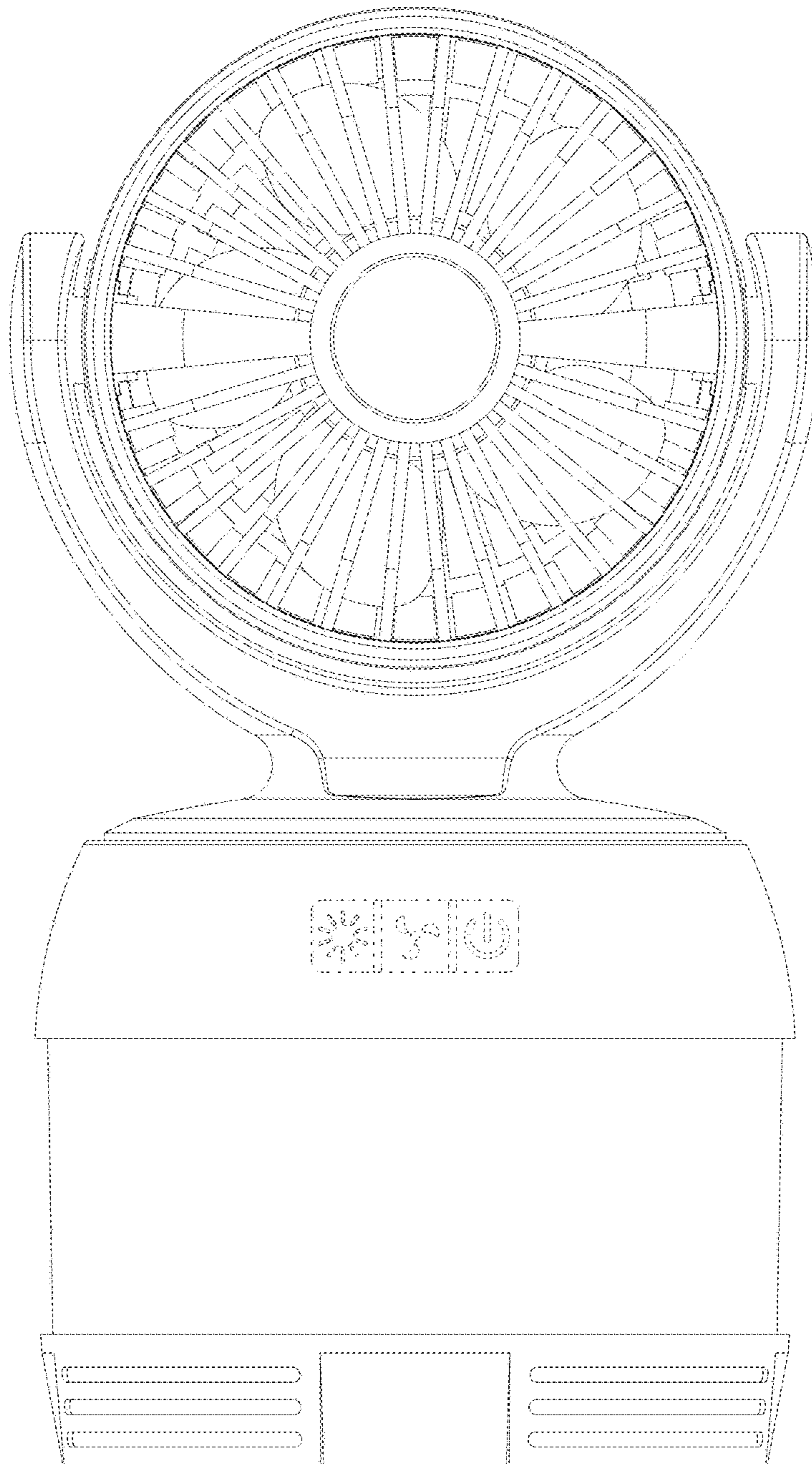


FIG. 1

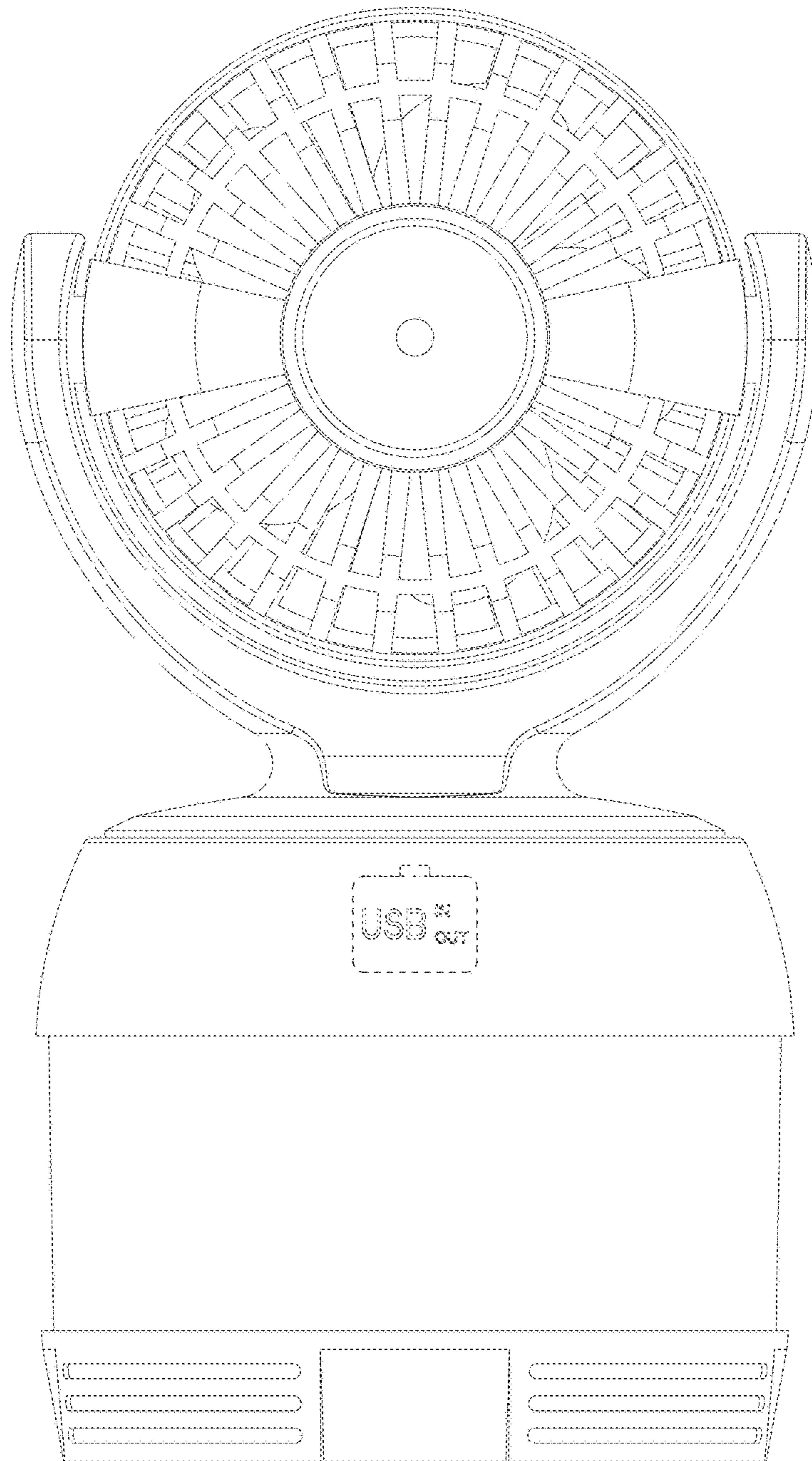


FIG. 2

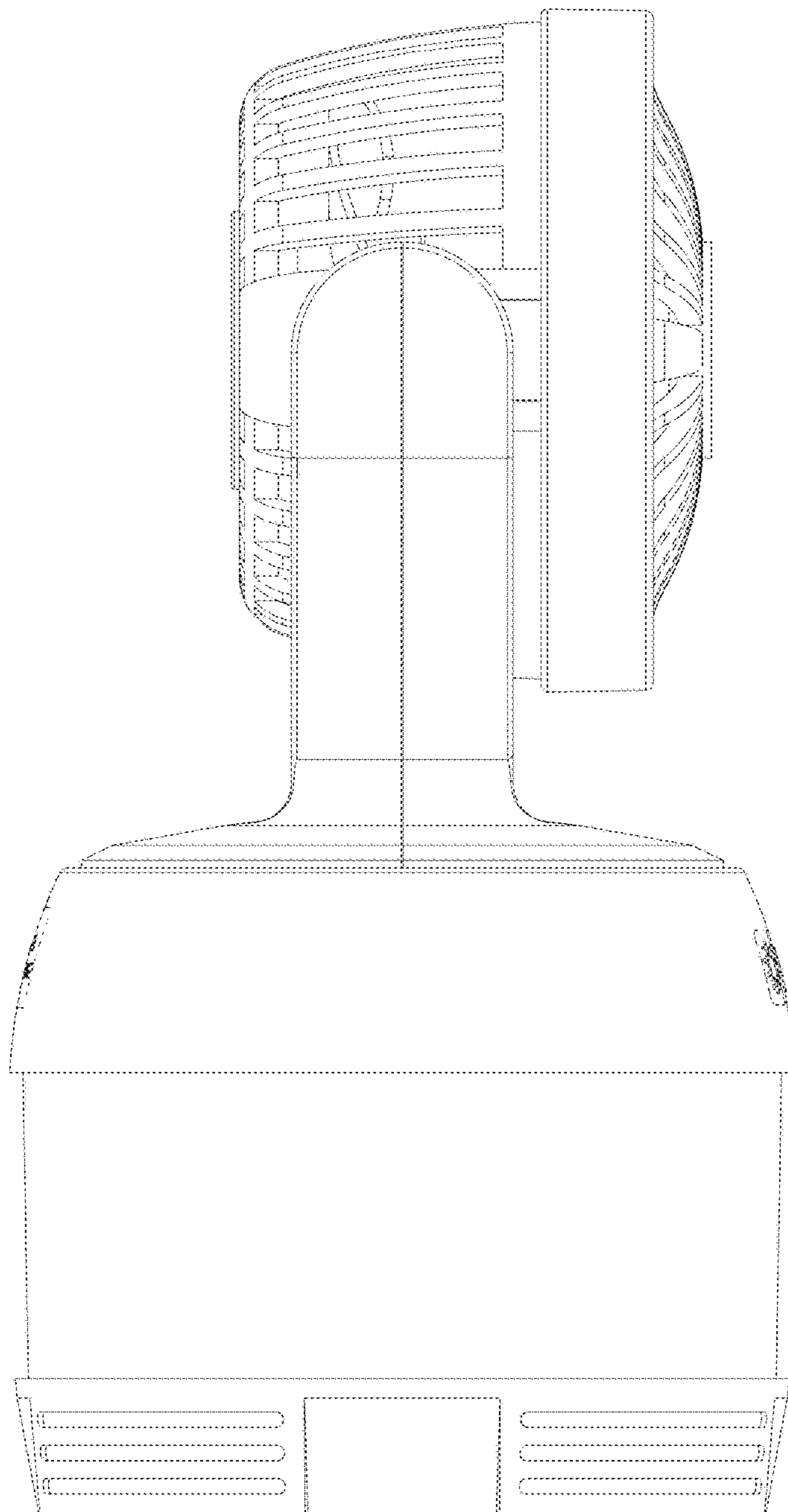


FIG. 3

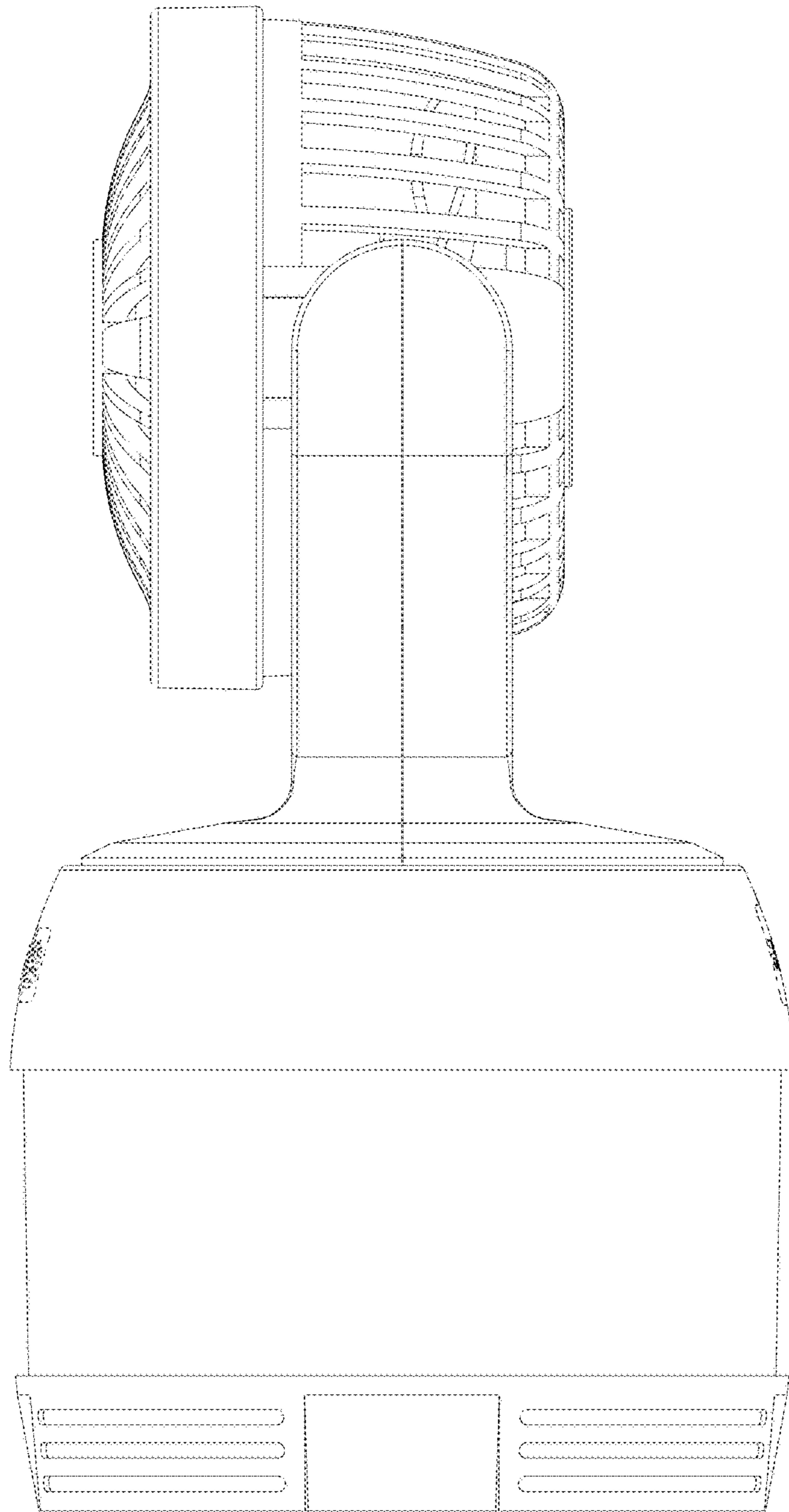


FIG. 4

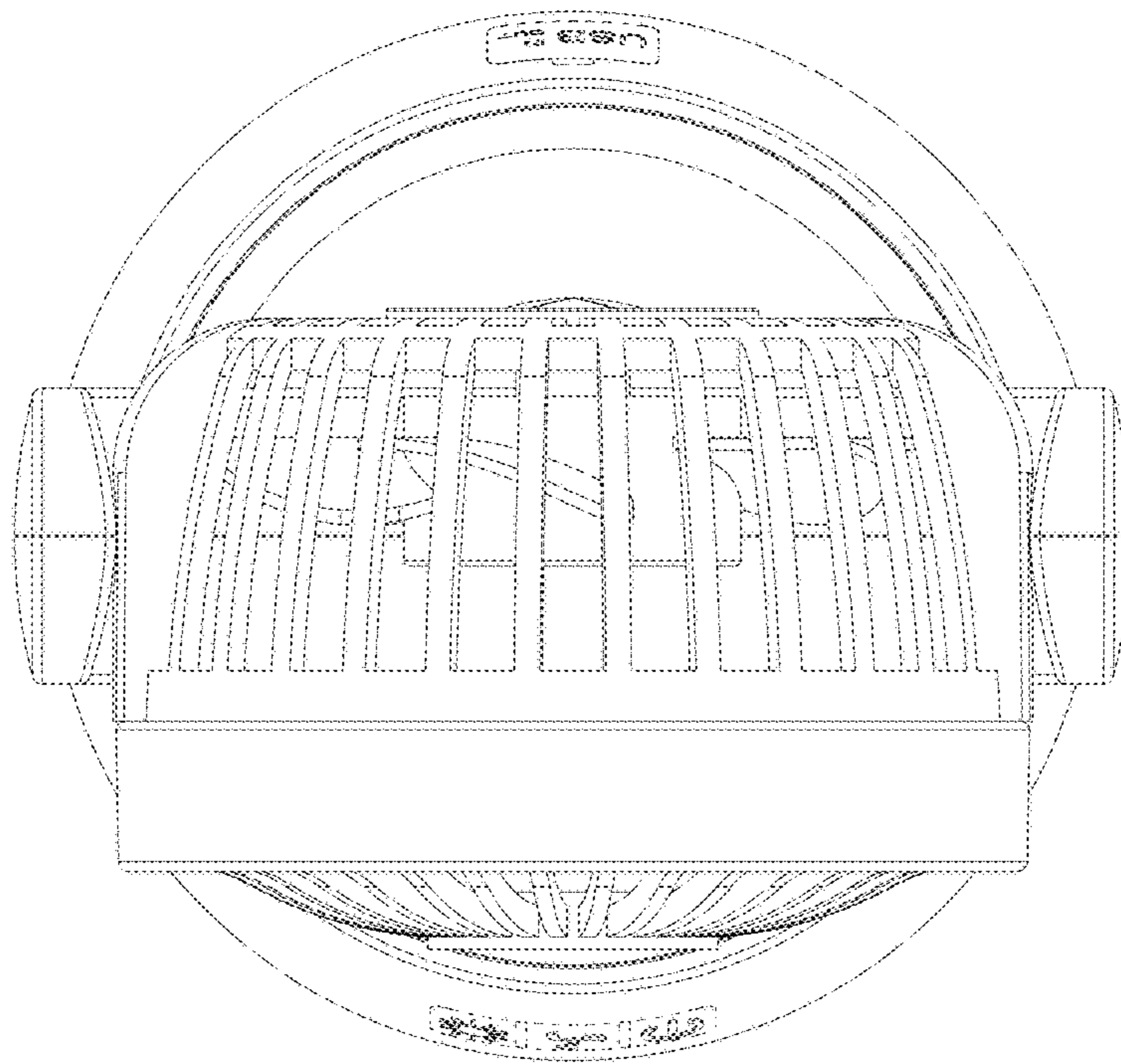


FIG. 5

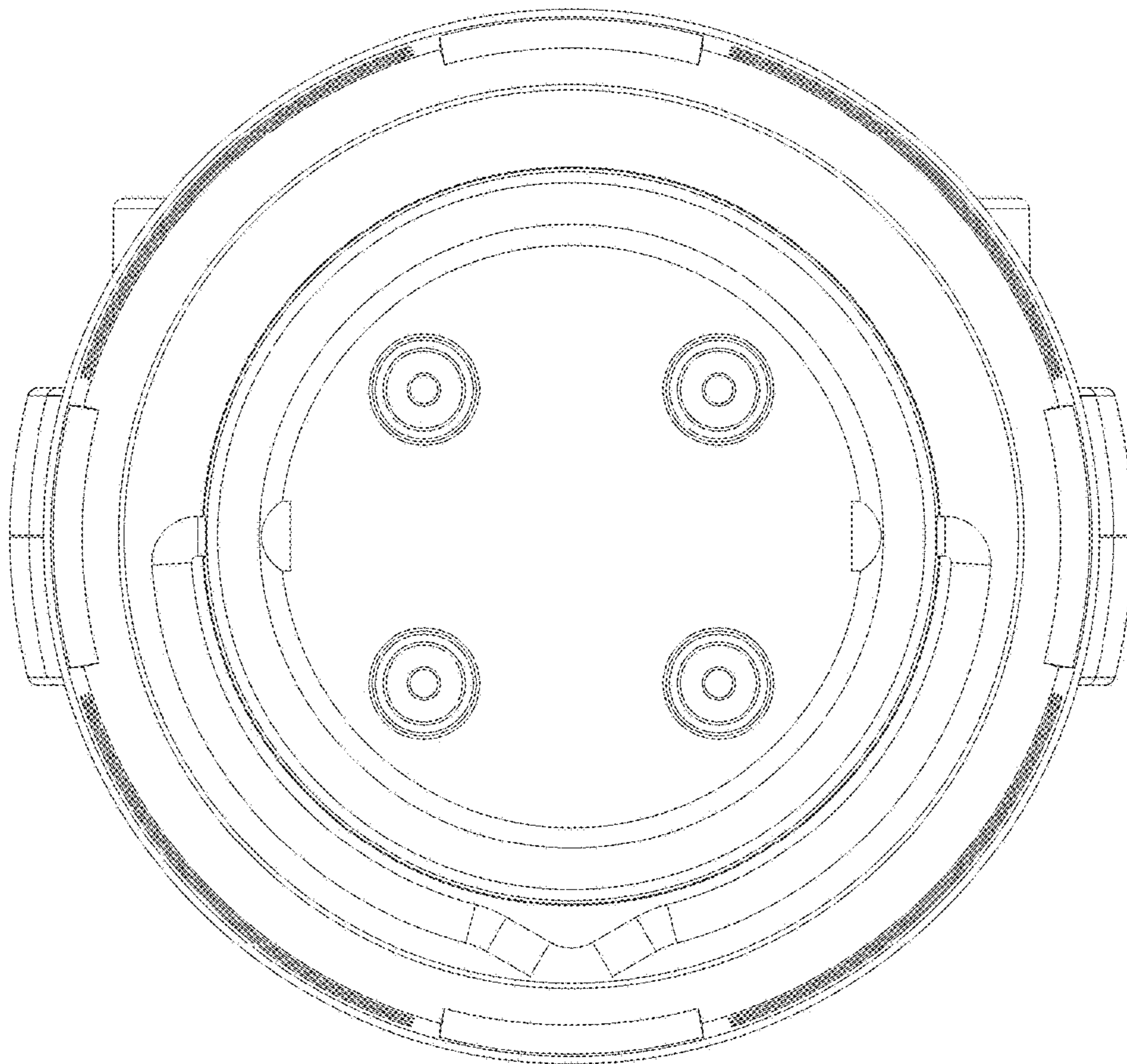


FIG. 6



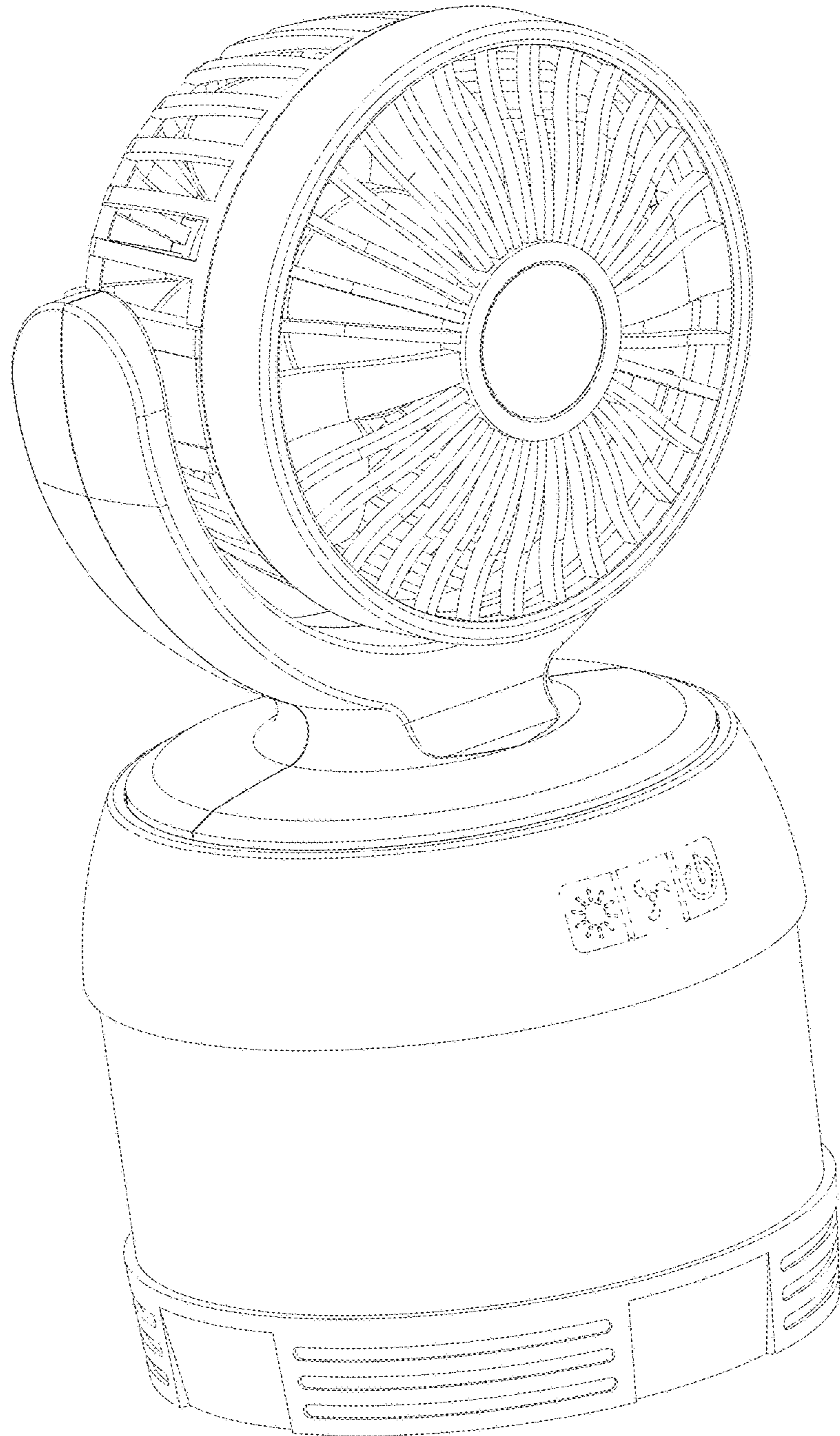


FIG. 7

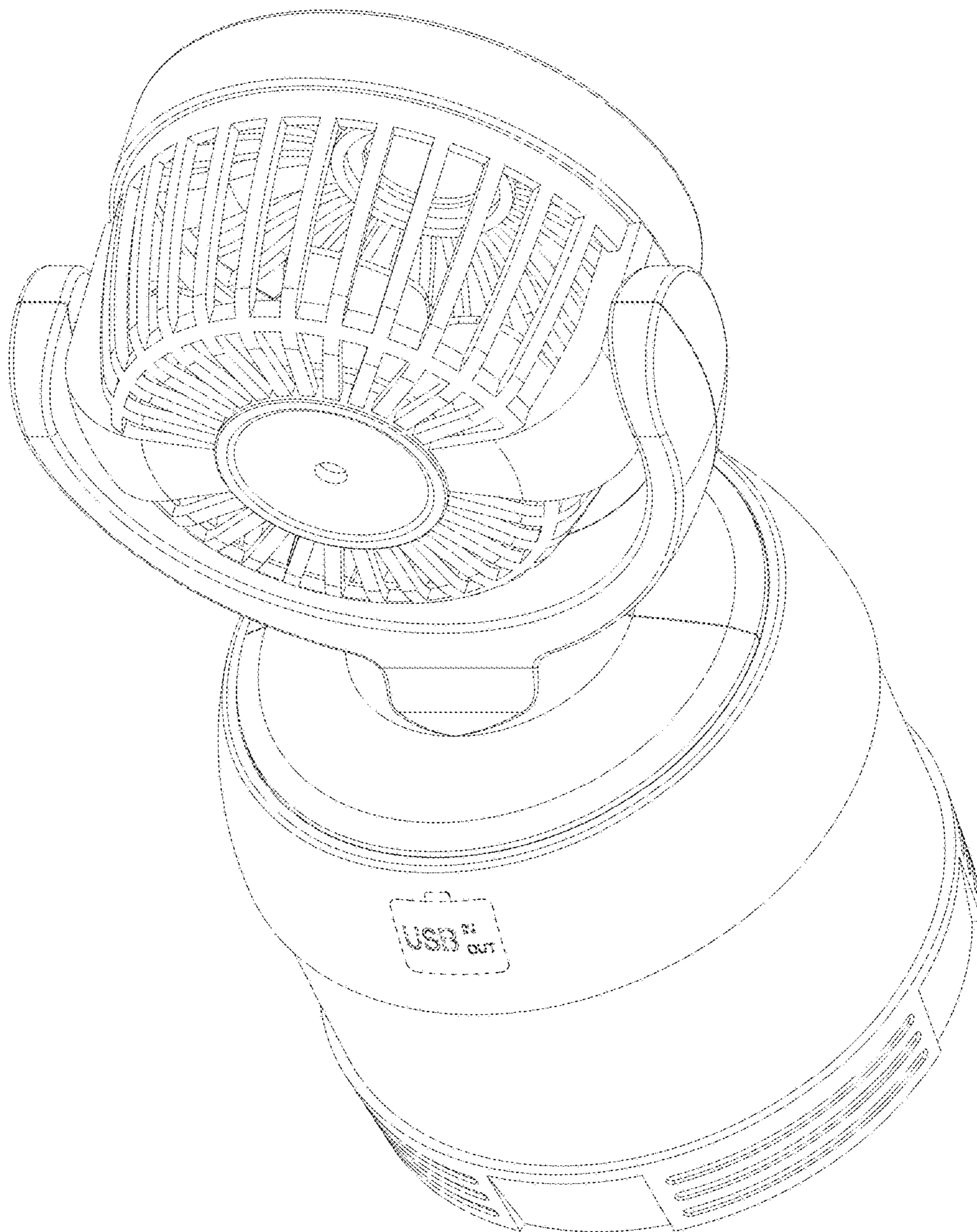


FIG. 8

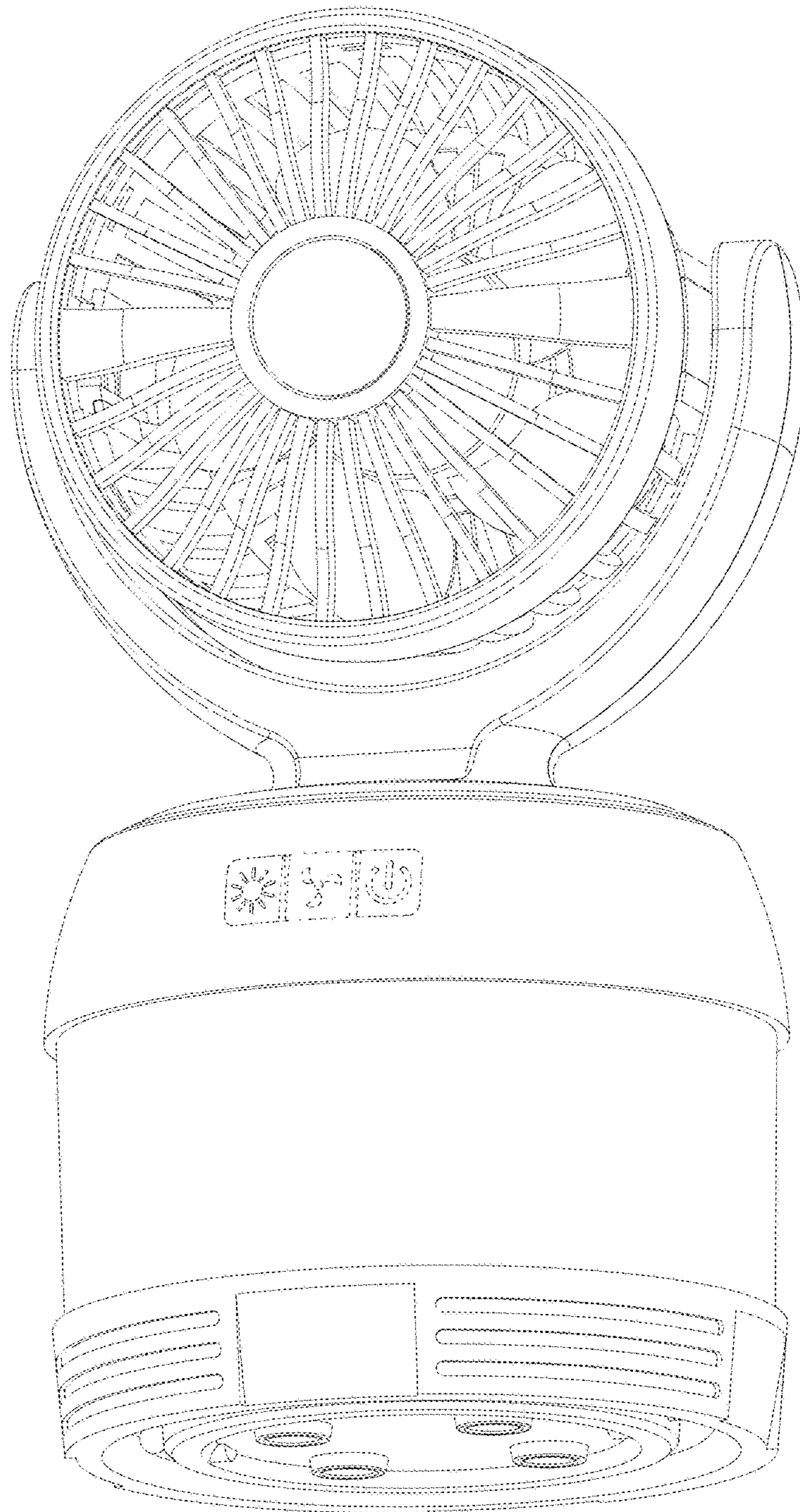


FIG. 9