



US00D868322S

(12) **United States Design Patent** (10) **Patent No.:** **US D868,322 S**  
**Kong et al.** (45) **Date of Patent:** **\*\* Nov. 26, 2019**

(54) **REAR COMBINATION LAMP FOR AN AUTOMOBILE**  
(71) Applicants: **HYUNDAI MOTOR COMPANY**, Seoul (KR); **KIA MOTORS CORPORATION**, Seoul (KR)  
(72) Inventors: **Byung Ho Kong**, Seoul (KR); **Je Won Seo**, Seoul (KR)  
(73) Assignees: **Hyundai Motor Company**, Seoul (KR); **Kia Motors Corporation**, Seoul (KR)

D706,964 S \* 6/2014 Park ..... D26/28  
D727,547 S \* 4/2015 Ha ..... D26/28  
D749,247 S \* 2/2016 Han ..... D26/28  
D749,757 S \* 2/2016 Han ..... D26/28  
D749,764 S \* 2/2016 Sa ..... D26/28  
D749,765 S \* 2/2016 Sa ..... D26/28  
D803,431 S \* 11/2017 Choi ..... D26/28  
D807,547 S \* 1/2018 Lin ..... D26/28  
D812,263 S \* 3/2018 Minamiyama ..... D26/28  
D824,057 S \* 7/2018 Kang ..... D26/28  
D842,511 S \* 3/2019 Kang ..... D26/28

(\*\*) Term: **15 Years**  
(21) Appl. No.: **35/506,173**  
(22) Filed: **May 24, 2018**

(80) **Hague Agreement Data**  
Int. Filing Date: **May 24, 2018**  
Int. Reg. No.: **DM/101409**  
Int. Reg. Date: **May 24, 2018**  
Int. Reg. Pub. Date: **Nov. 30, 2018**

(30) **Foreign Application Priority Data**  
Dec. 15, 2017 (KR) ..... 30-2017-0059470  
(51) **LOC (12) Cl.** ..... **26-06**  
(52) **U.S. Cl.**  
USPC ..... **D26/28**  
(58) **Field of Classification Search**  
USPC ..... D12/196; D26/28, 35, 36; D21/433  
CPC .. F21S 41/00; F21S 41/20; F21S 41/30; F21S 43/14; F21S 43/15; F21S 43/20  
See application file for complete search history.

(56) **References Cited**  
U.S. PATENT DOCUMENTS  
D703,350 S \* 4/2014 Kim ..... D26/28  
D705,963 S \* 5/2014 Sa ..... D26/28

**OTHER PUBLICATIONS**

Screenshot from Stefan Ogbac: 2019 Kia Sorrento Gets an Updated Powertrain Lineup. Dated Nov. 30, 2017. Found online Aug. 13, 2019 at <https://www.automobilemag.com/news/2019-kia-sorento-first-look-fresher-safer/> (Year: 2017).\*

\* cited by examiner

*Primary Examiner* — Robert M. Spear  
(74) *Attorney, Agent, or Firm* — Mintz Levin Cohn Ferris Glovsky and Popeo, P.C.; Kongsik Kim

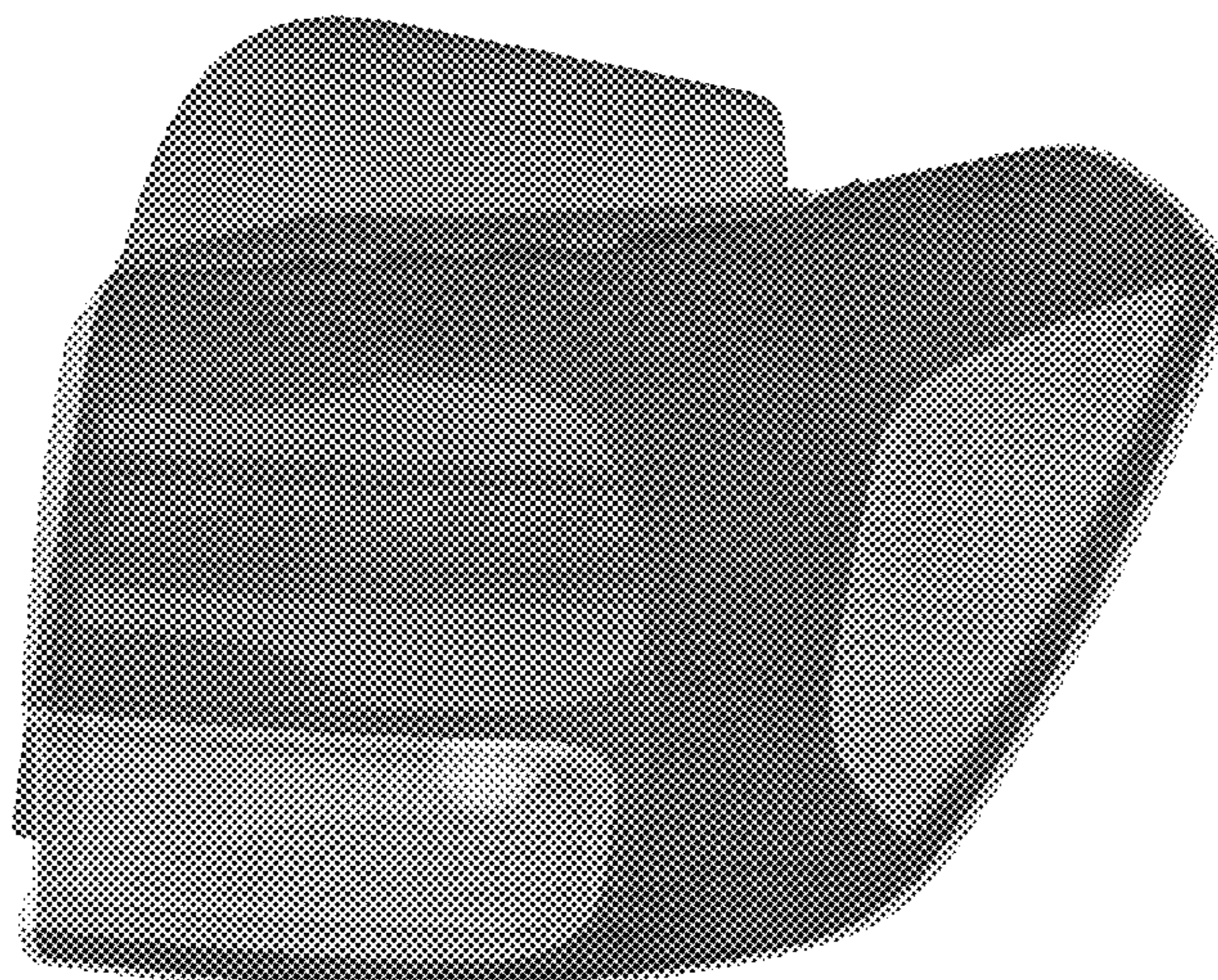
(57) **CLAIM**

The ornamental design for rear combination lamp for an automobile, as shown and described.

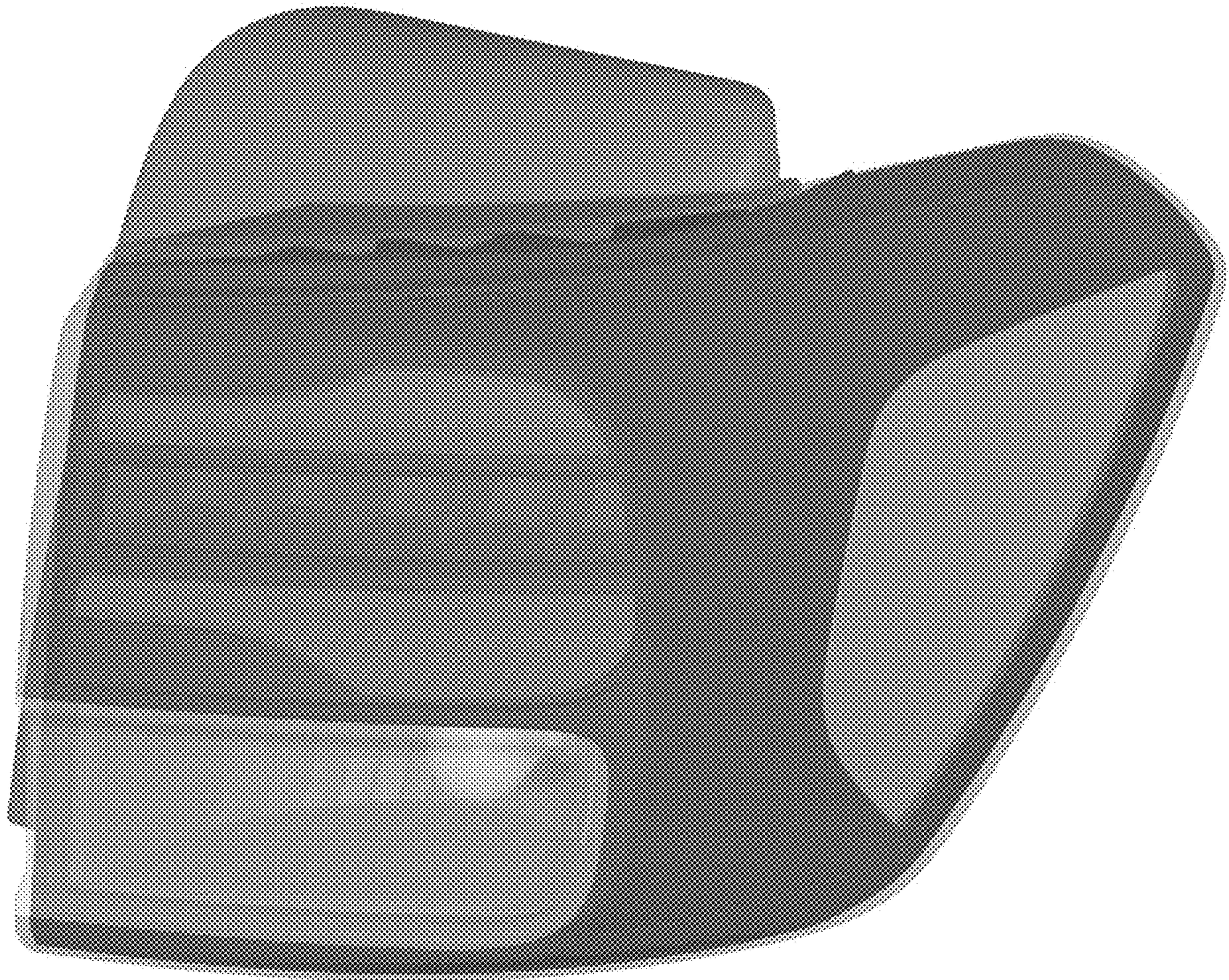
**DESCRIPTION**

- 1. Rear combination lamp for an automobile
- 1.1 : Perspective
- 1.2 : Front
- 1.3 : Back
- 1.4 : Left
- 1.5 : Right
- 1.6 : Top
- 1.7 : Bottom

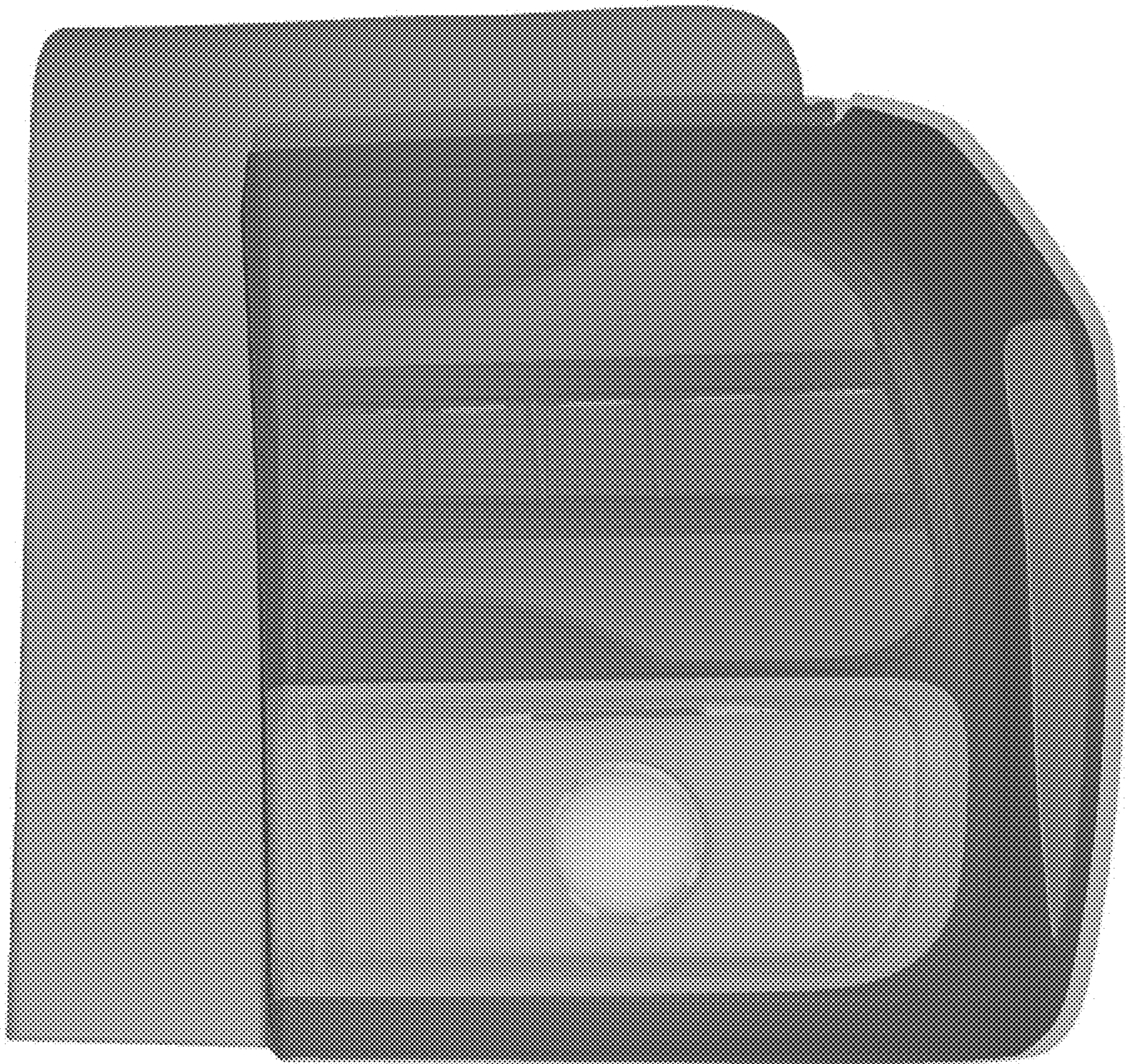
**1 Claim, 7 Drawing Sheets**



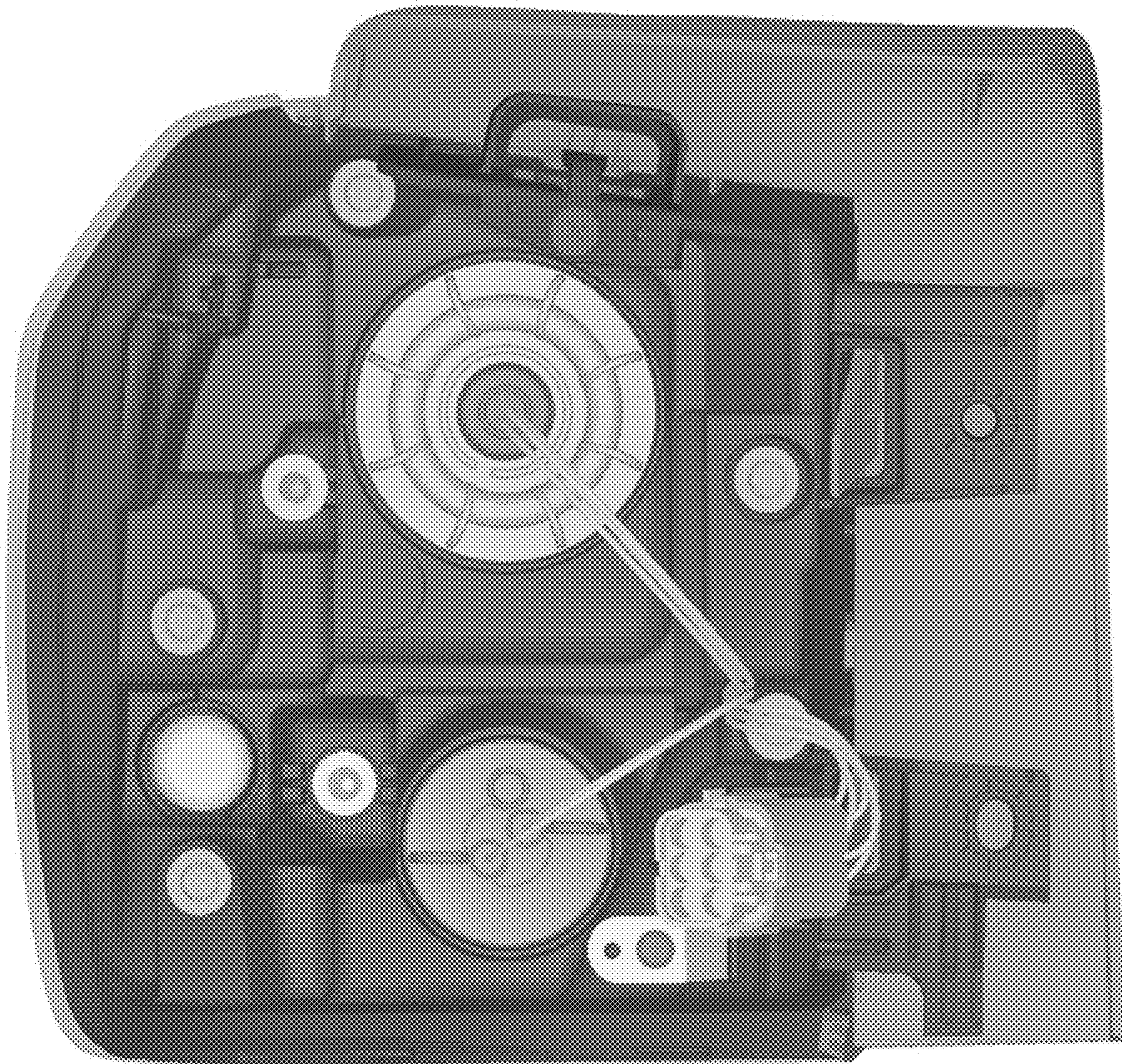
1.1



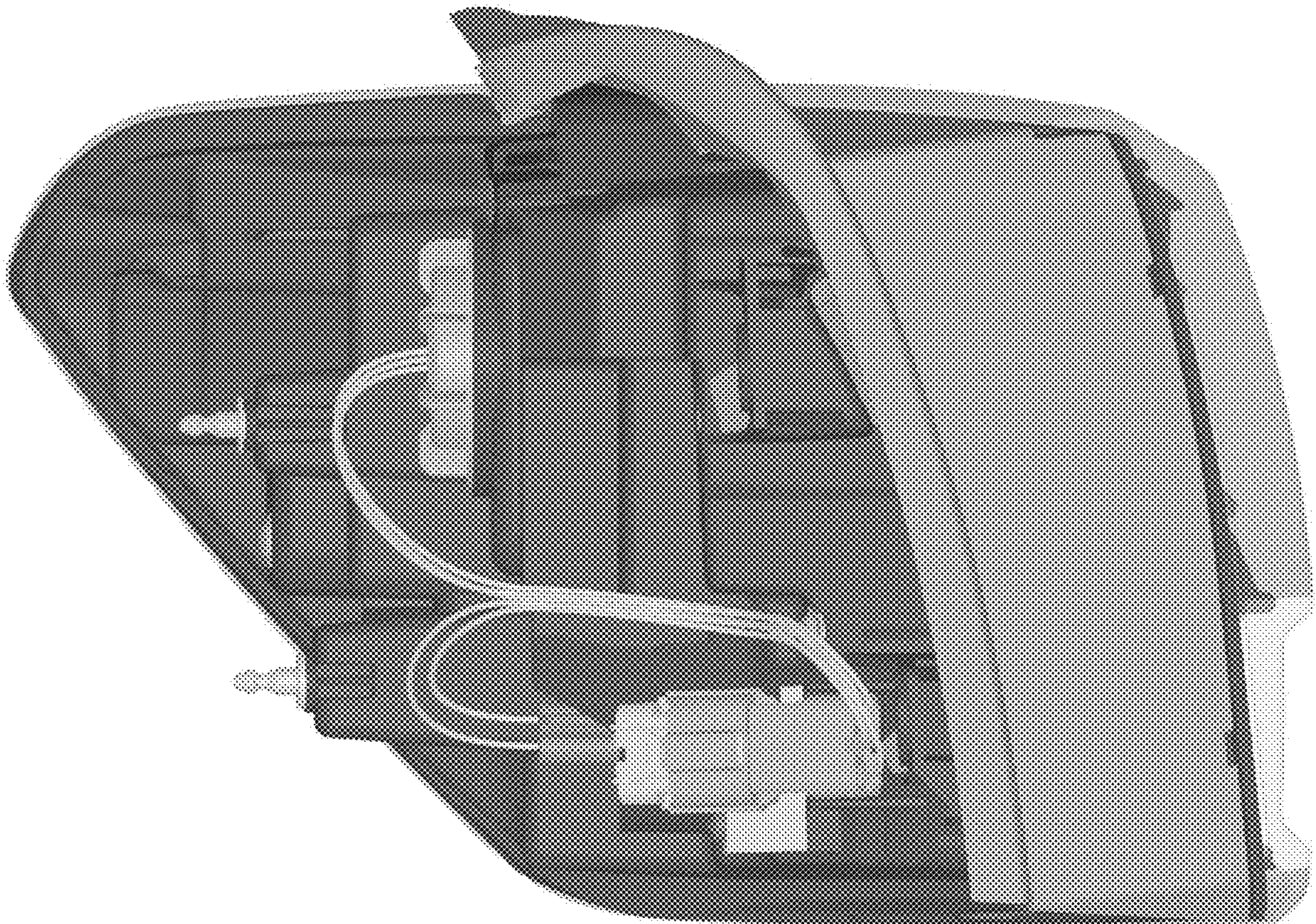
1.2



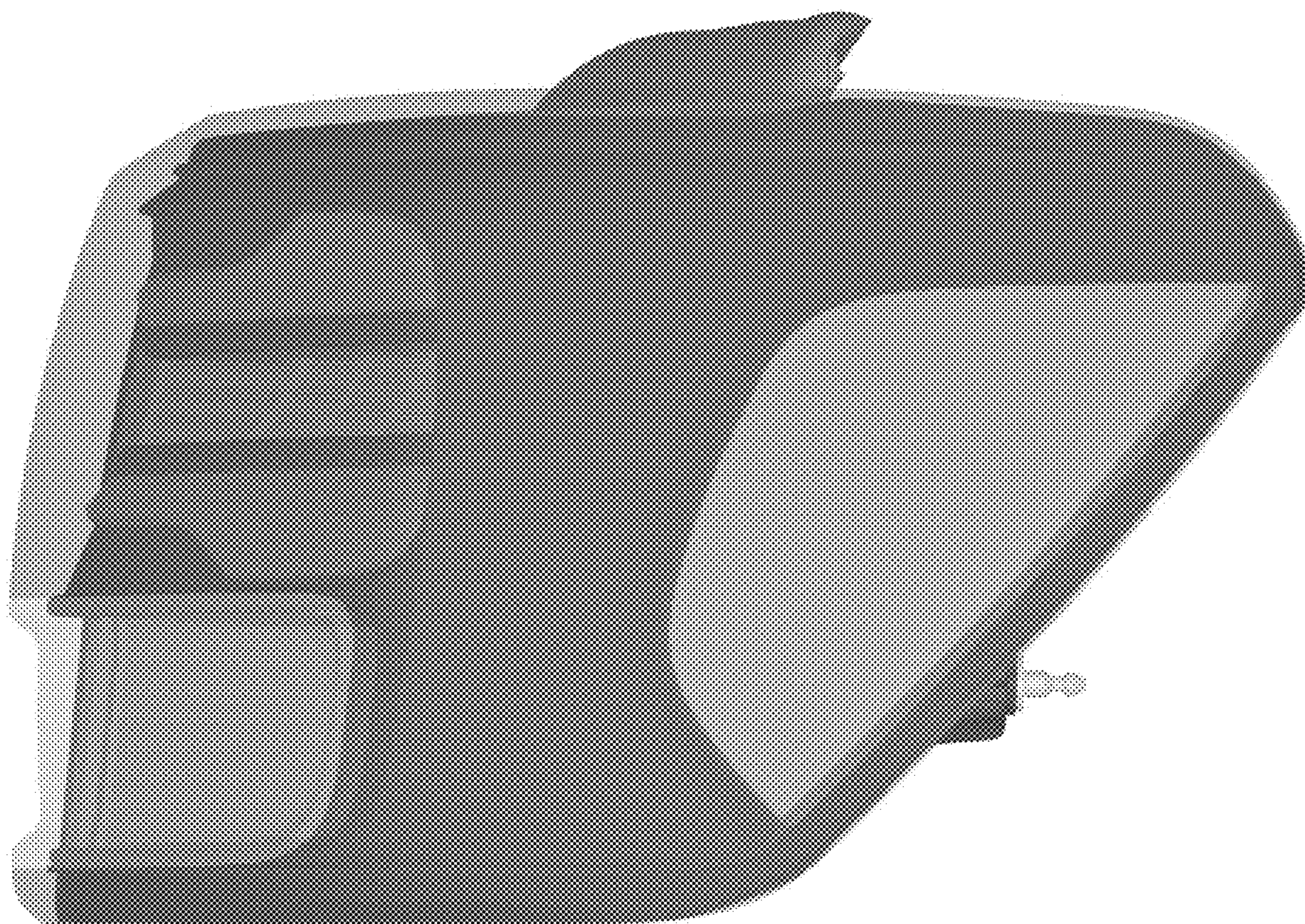
1.3



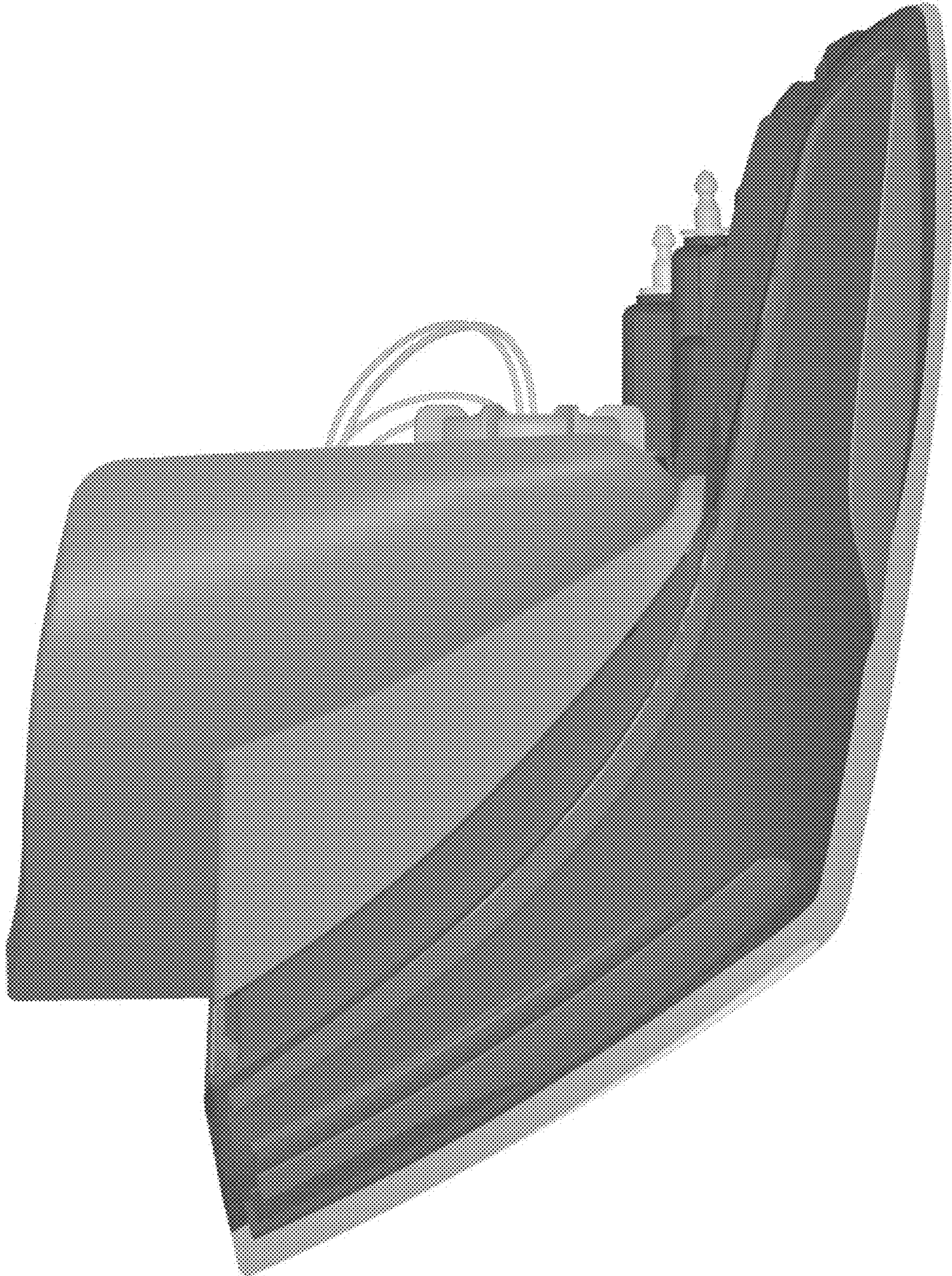
1.4



1.5



1.6



1.7

