



US00D868321S

(12) **United States Design Patent** (10) **Patent No.:** **US D868,321 S**
Kong et al. (45) **Date of Patent:** **** Nov. 26, 2019**

(54) **REAR COMBINATION LAMP FOR AN AUTOMOBILE**

(71) Applicants: **HYUNDAI MOTOR COMPANY**, Seoul (KR); **KIA MOTORS CORPORATION**, Seoul (KR)

(72) Inventors: **Byung Ho Kong**, Seoul (KR); **Je Won Seo**, Seoul (KR)

(73) Assignees: **Hyundai Motor Company**, Seoul (KR); **Kia Motors Corporation**, Seoul (KR)

(**) Term: **15 Years**

(21) Appl. No.: **35/506,136**

(22) Filed: **May 24, 2018**

(80) **Hague Agreement Data**

Int. Filing Date: **May 24, 2018**

Int. Reg. No.: **DM/101405**

Int. Reg. Date: **May 24, 2018**

Int. Reg. Pub. Date: **Nov. 30, 2018**

(30) **Foreign Application Priority Data**

Dec. 15, 2017 (KR) 30-2017-0059462

(51) **LOC (12) Cl.** **26-06**

(52) **U.S. Cl.**
USPC **D26/28**

(58) **Field of Classification Search**
USPC D12/196; D26/28, 35, 36; D21/433
CPC .. F21S 41/00; F21S 41/20; F21S 41/30; F21S 43/14; F21S 43/15; F21S 43/20
See application file for complete search history.

(56) **References Cited**

U.S. PATENT DOCUMENTS

D656,637 S *	3/2012	Choo	D26/28
D792,989 S *	7/2017	Han	D26/28
D794,843 S *	8/2017	Han	D26/28
D824,056 S *	7/2018	Yoon	D26/28
D827,928 S *	9/2018	Kang	D28/35
D842,507 S *	3/2019	Kim	D26/28
D842,508 S *	3/2019	Kim	D26/28
D844,190 S *	3/2019	Nordmann	D26/28
D846,163 S *	4/2019	Thomas	D26/28

OTHER PUBLICATIONS

Screenshot from Stefan Ogbac: 2019 Kia Sorrento Gets an Updated Powertrain Lineup. Dated Nov. 30, 2017. Found online Aug. 13, 2019 at <https://www.automobilemag.com/news/2019-kia-sorento-first-look-fresher-safer/> (Year: 2017).*

* cited by examiner

Primary Examiner — Robert M. Spear

(74) *Attorney, Agent, or Firm* — Mintz Levin Cohn Ferris Glovsky and Popeo, P.C.; Kongsik Kim

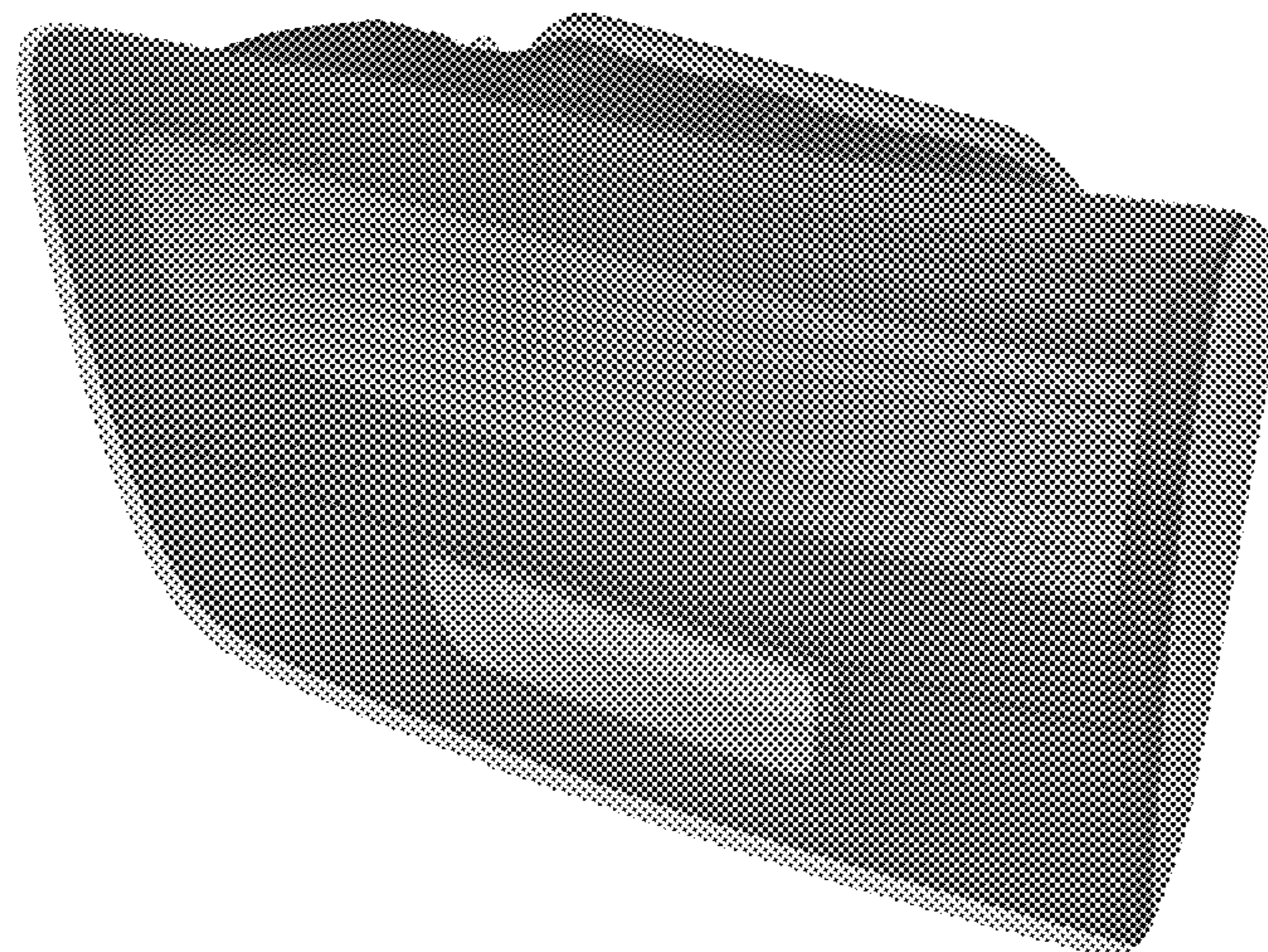
(57) **CLAIM**

The ornamental design for rear combination lamp for an automobile, as shown and described.

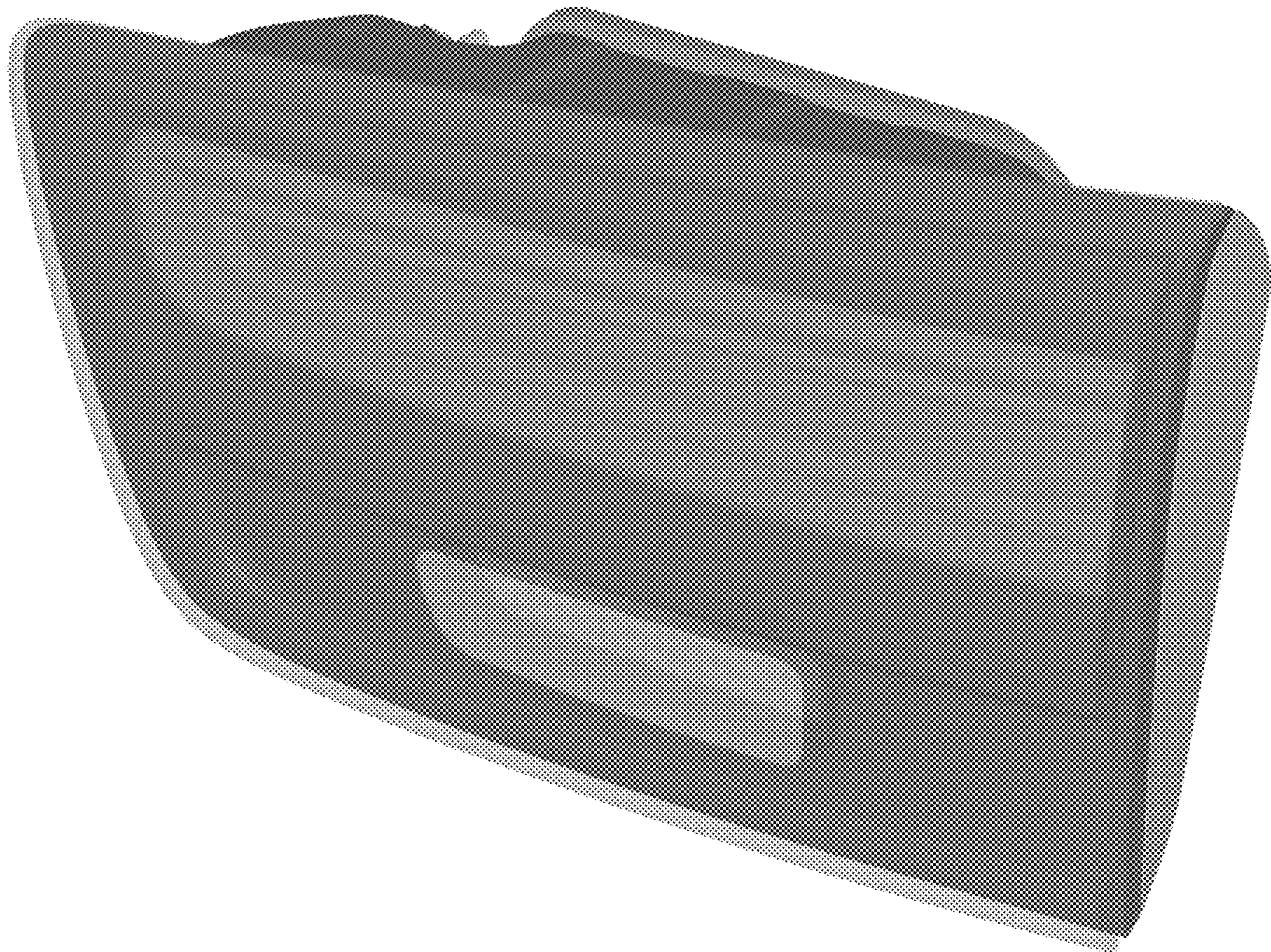
DESCRIPTION

1. Rear combination lamp for an automobile
 - 1.1 : Perspective
 - 1.2 : Front
 - 1.3 : Back
 - 1.4 : Left
 - 1.5 : Right
 - 1.6 : Top
 - 1.7 : Bottom

1 Claim, 7 Drawing Sheets



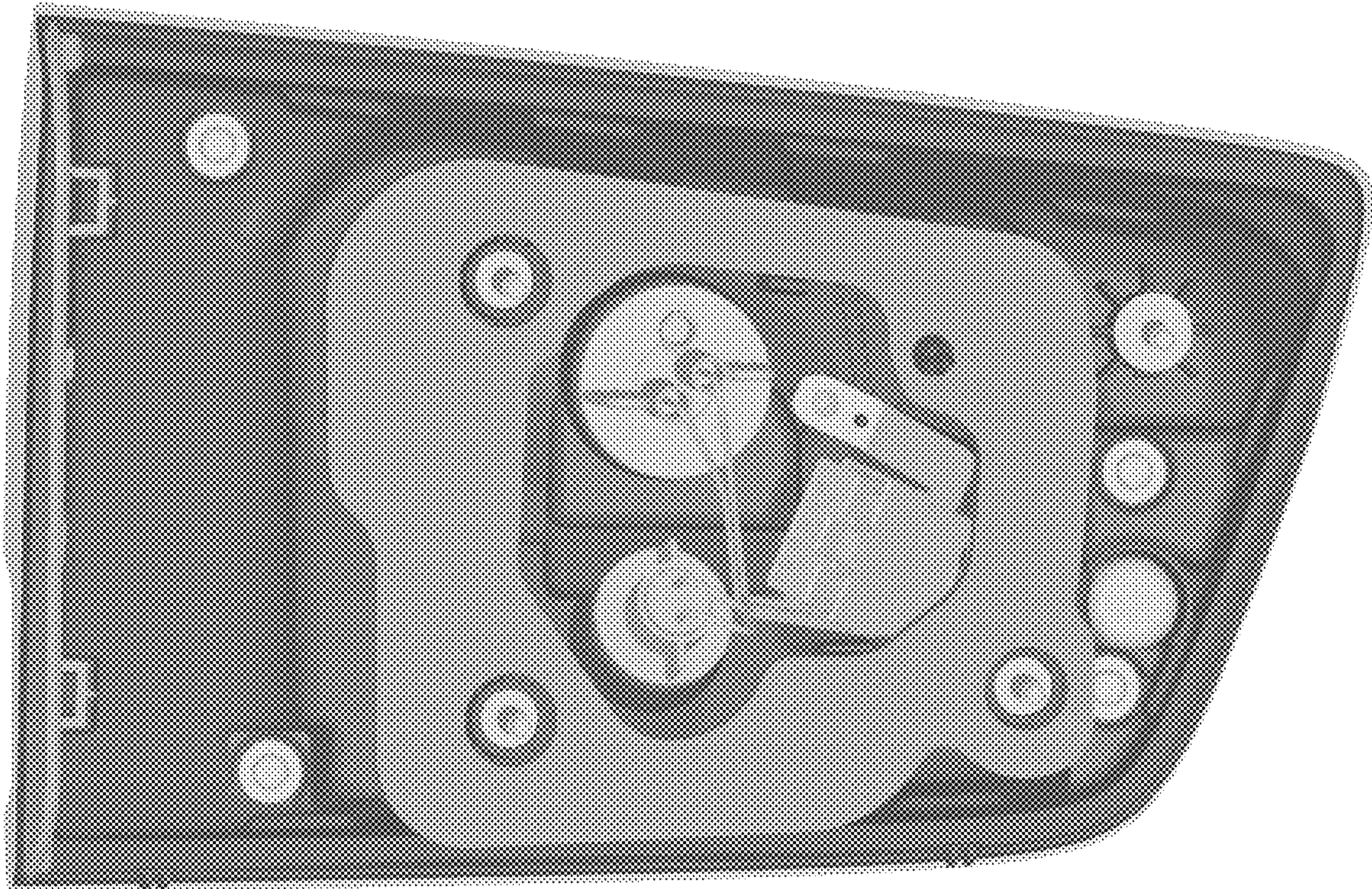
1.1



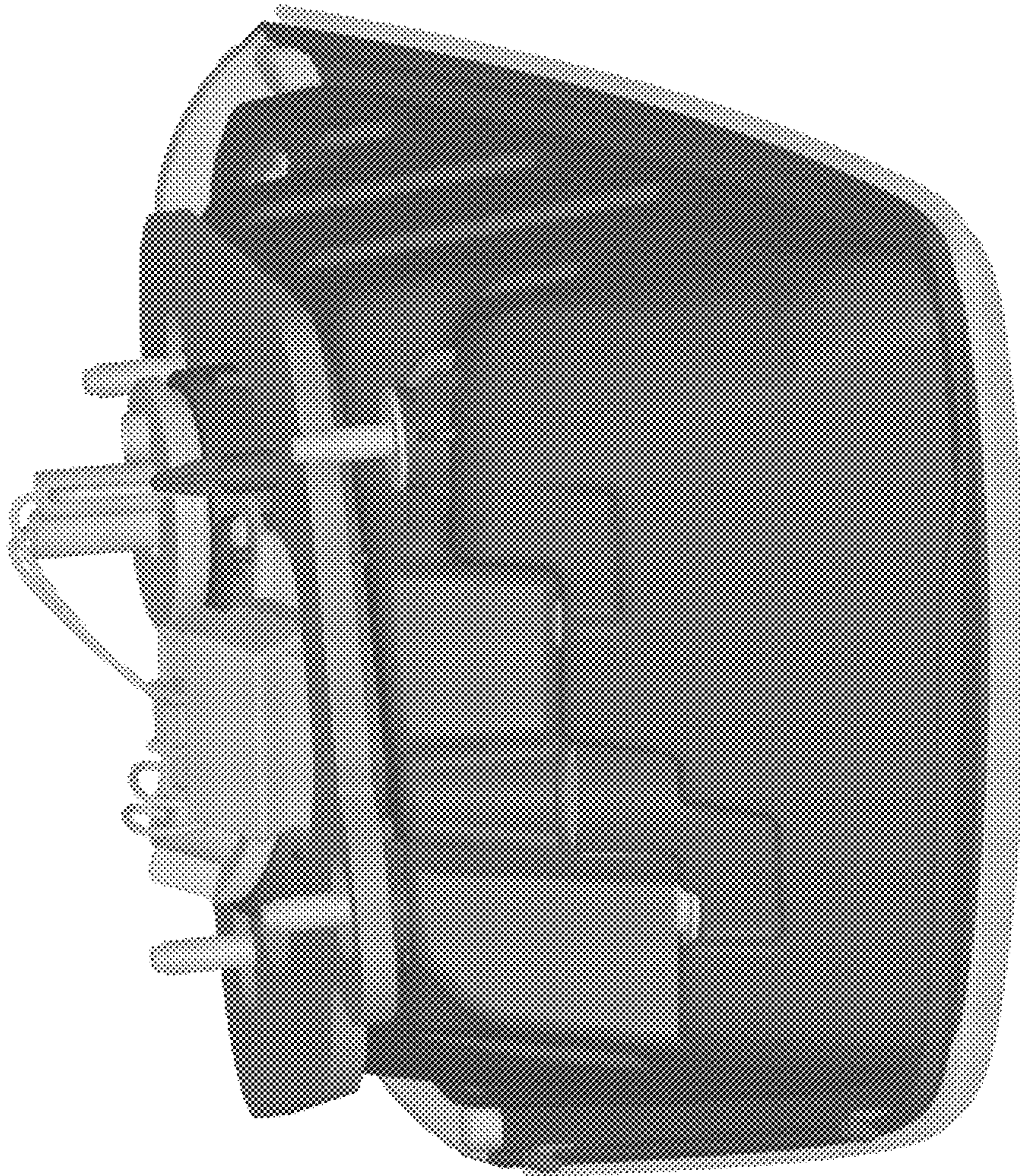
1.2



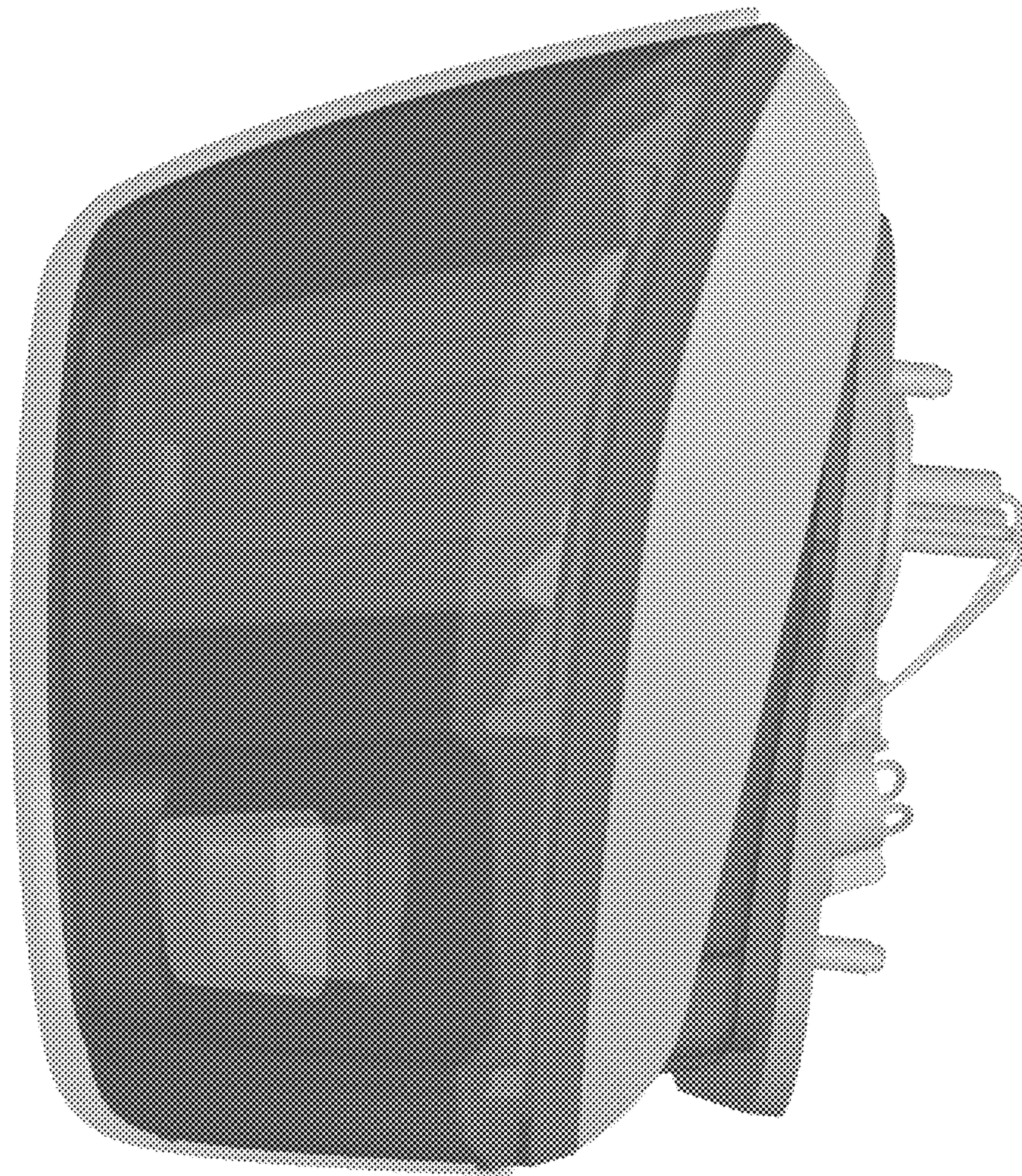
1.3



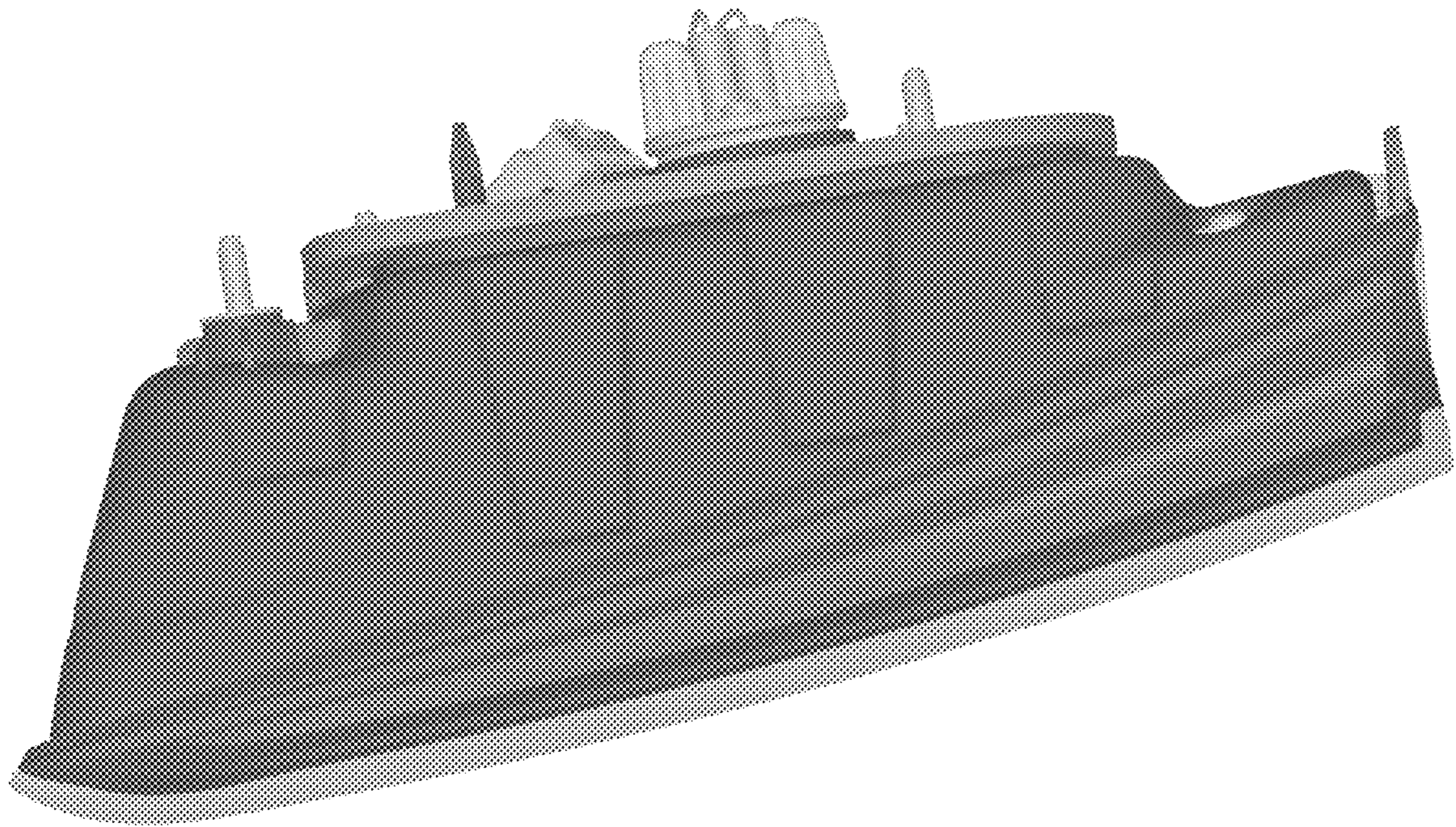
1.4



1.5



1.6



1.7

