



US00D868320S

(12) **United States Design Patent** (10) **Patent No.:** **US D868,320 S**  
**Kong et al.** (45) **Date of Patent:** **\*\* Nov. 26, 2019**

(54) **REAR COMBINATION LAMP FOR AN AUTOMOBILE**

(71) Applicants: **HYUNDAI MOTOR COMPANY**, Seoul (KR); **KIA MOTORS CORPORATION**, Seoul (KR)

(72) Inventors: **Byung Ho Kong**, Seoul (KR); **Je Won Seo**, Seoul (KR)

(73) Assignees: **Hyundai Motor Company**, Seoul (KR); **Kia Motors Corporation**, Seoul (KR)

(\*\*) Term: **15 Years**

(21) Appl. No.: **35/506,121**

(22) Filed: **May 24, 2018**

(80) **Hague Agreement Data**

Int. Filing Date: **May 24, 2018**

Int. Reg. No.: **DM/101407**

Int. Reg. Date: **May 24, 2018**

Int. Reg. Pub. Date: **Nov. 30, 2018**

(30) **Foreign Application Priority Data**

Dec. 15, 2017 (KR) ..... 30-2017-0059465

(51) **LOC (12) Cl.** ..... **26-06**

(52) **U.S. Cl.**  
USPC ..... **D26/28**

(58) **Field of Classification Search**

USPC ..... D12/196; D26/28, 35, 36; D21/433

CPC .. F21S 41/00; F21S 41/20; F21S 41/30; F21S 43/14; F21S 43/15; F21S 43/20

See application file for complete search history.

(56) **References Cited**

U.S. PATENT DOCUMENTS

D656,637 S *	3/2012	Choo	.....	D26/28
D792,989 S *	7/2017	Han	.....	D26/28
D794,843 S *	8/2017	Han	.....	D26/28
D824,056 S *	7/2018	Yoon	.....	D26/28
D827,928 S *	9/2018	Kang	.....	D28/35
D842,507 S *	3/2019	Kim	.....	D26/28
D842,508 S *	3/2019	Kim	.....	D26/28
D844,190 S *	3/2019	Nordmann	.....	D26/28
D846,163 S *	4/2019	Thomas	.....	D26/28

OTHER PUBLICATIONS

Screenshot from Stefan Ogbac: 2019 Kia Sorrento Gets an Updated Powertrain Lineup. Dated Nov. 30, 2017. Found online Aug. 13, 2019 at <https://www.automobilemag.com/news/2019-kia-sorento-first-look-fresher-safer/> (Year: 2017).\*

\* cited by examiner

*Primary Examiner* — Robert M. Spear

(74) *Attorney, Agent, or Firm* — Mintz Levin Cohn Ferris Glovsky and Popeo, P.C.; Kongsik Kim

(57) **CLAIM**

The ornamental design for rear combination lamp for an automobile, as shown and described.

**DESCRIPTION**

1. Rear combination lamp for an automobile

1.1 : Perspective

1.2 : Front

1.3 : Back

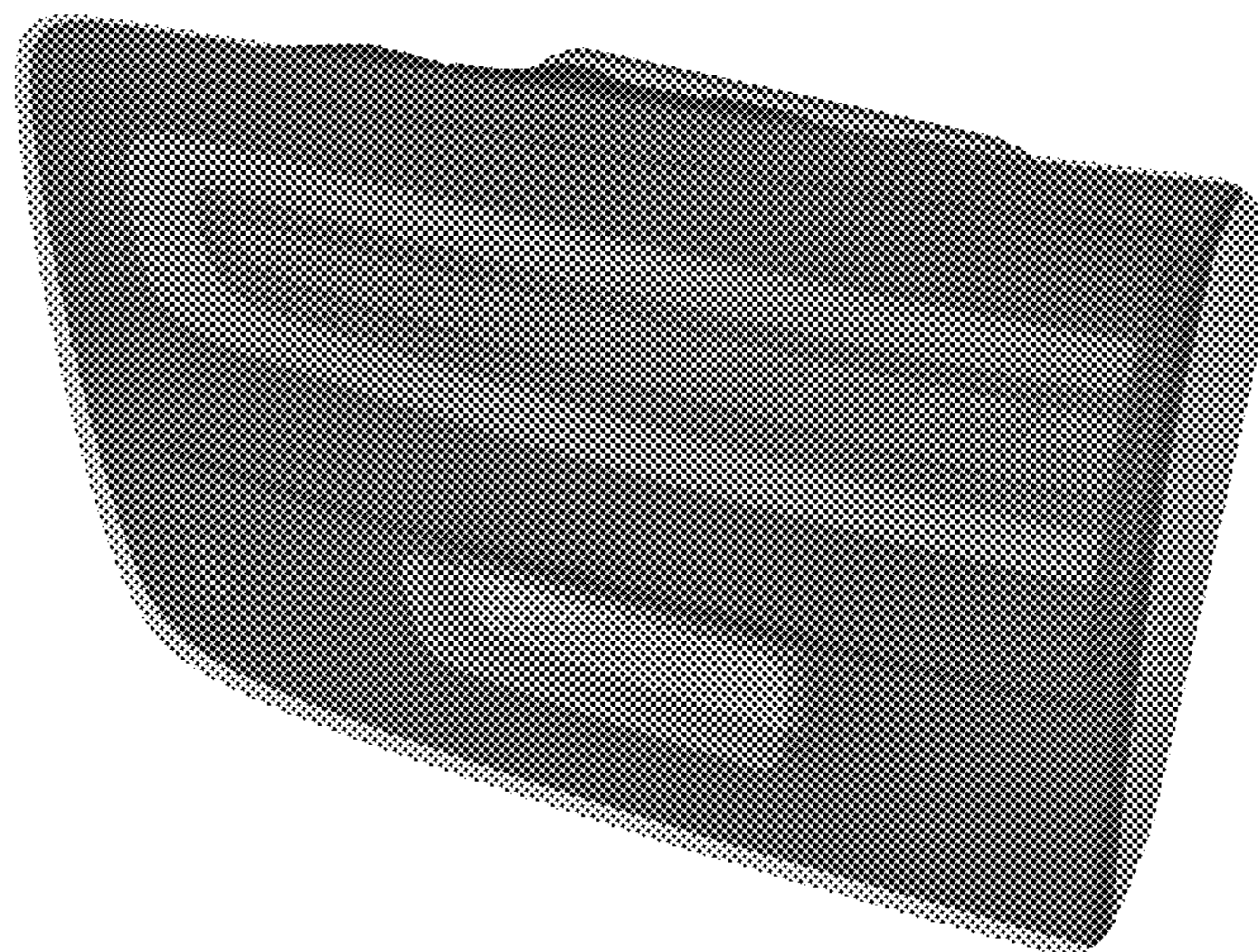
1.4 : Left

1.5 : Right

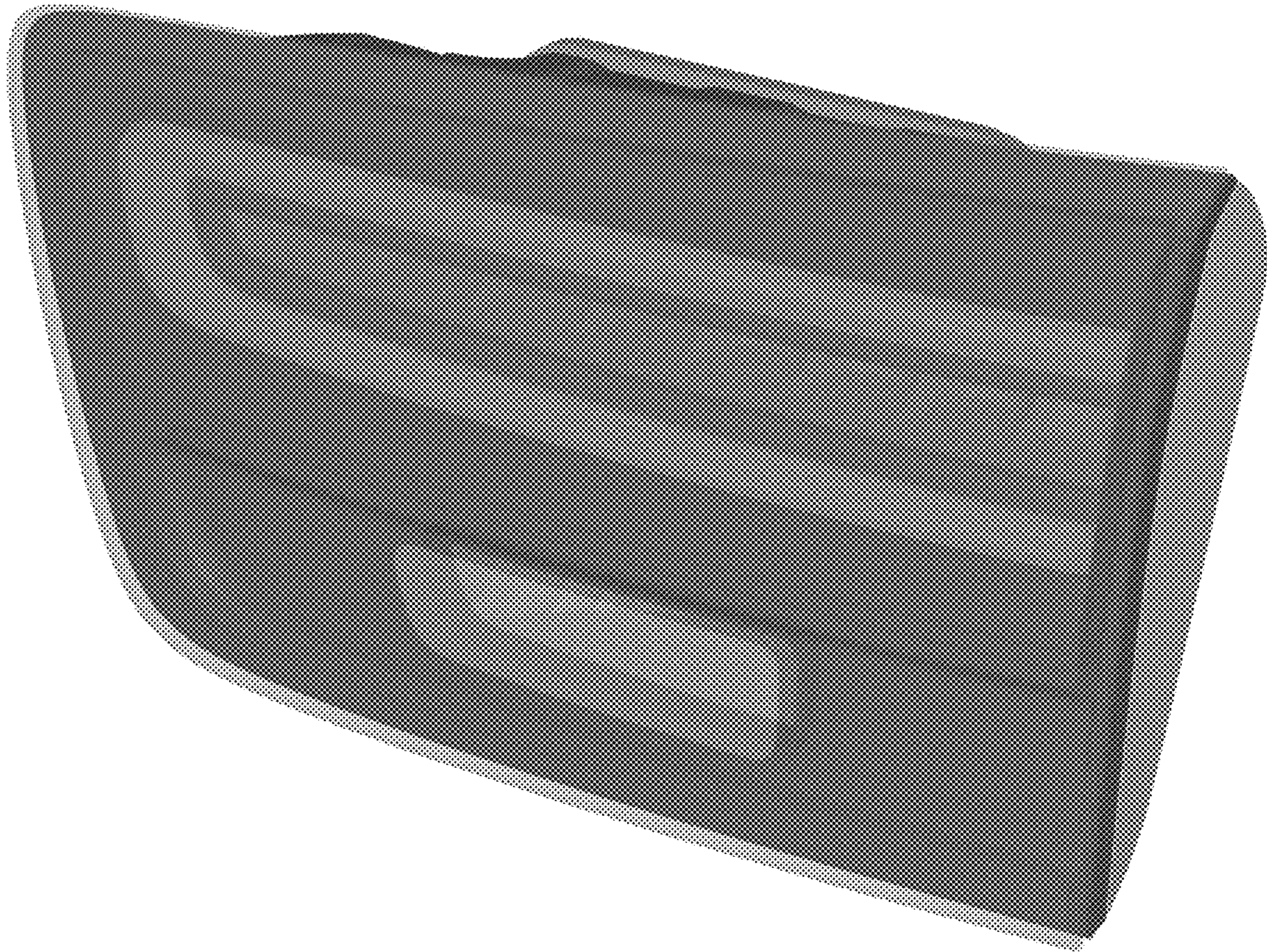
1.6 : Top

1.7 : Bottom

**1 Claim, 7 Drawing Sheets**



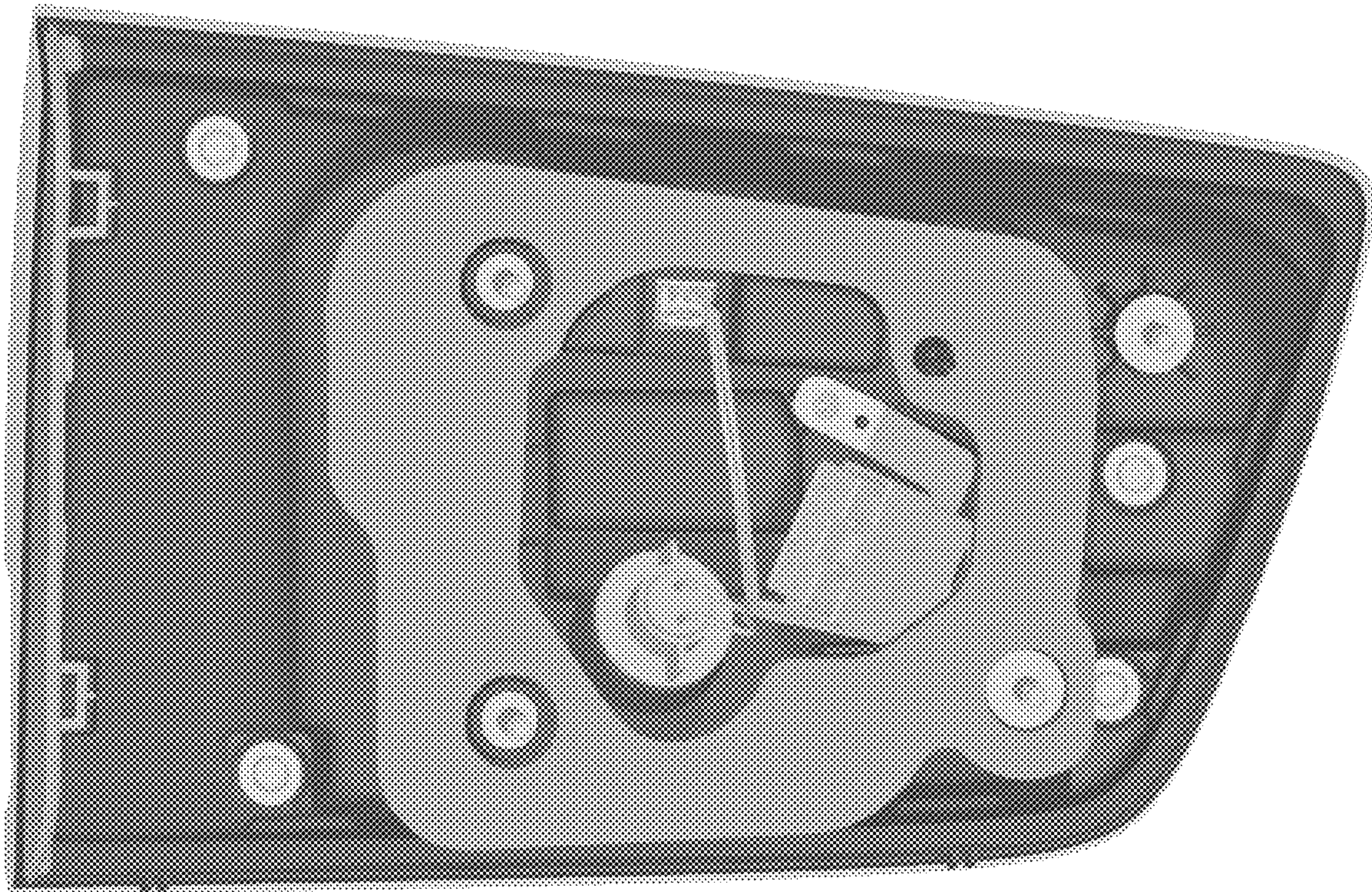
1.1



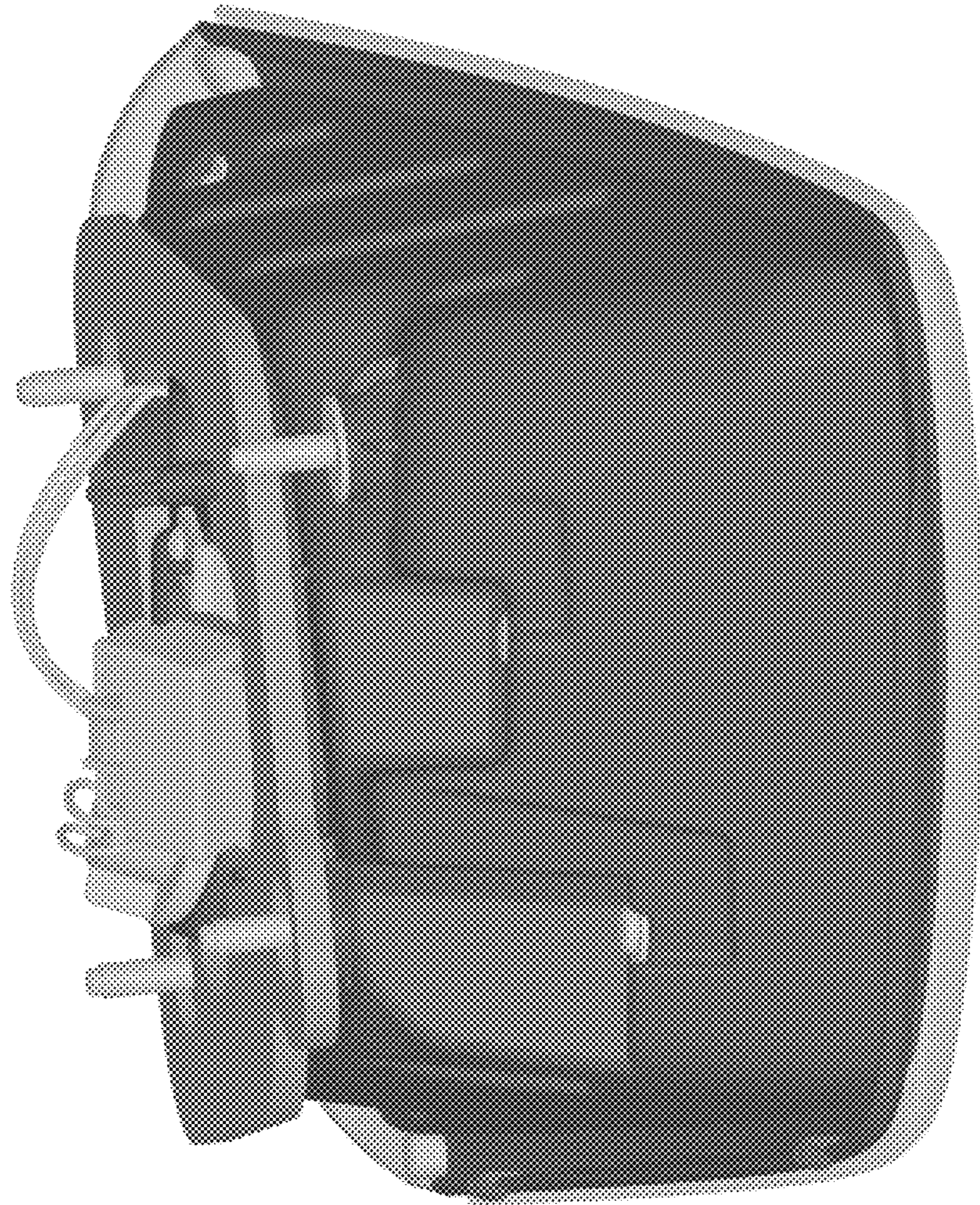
1.2



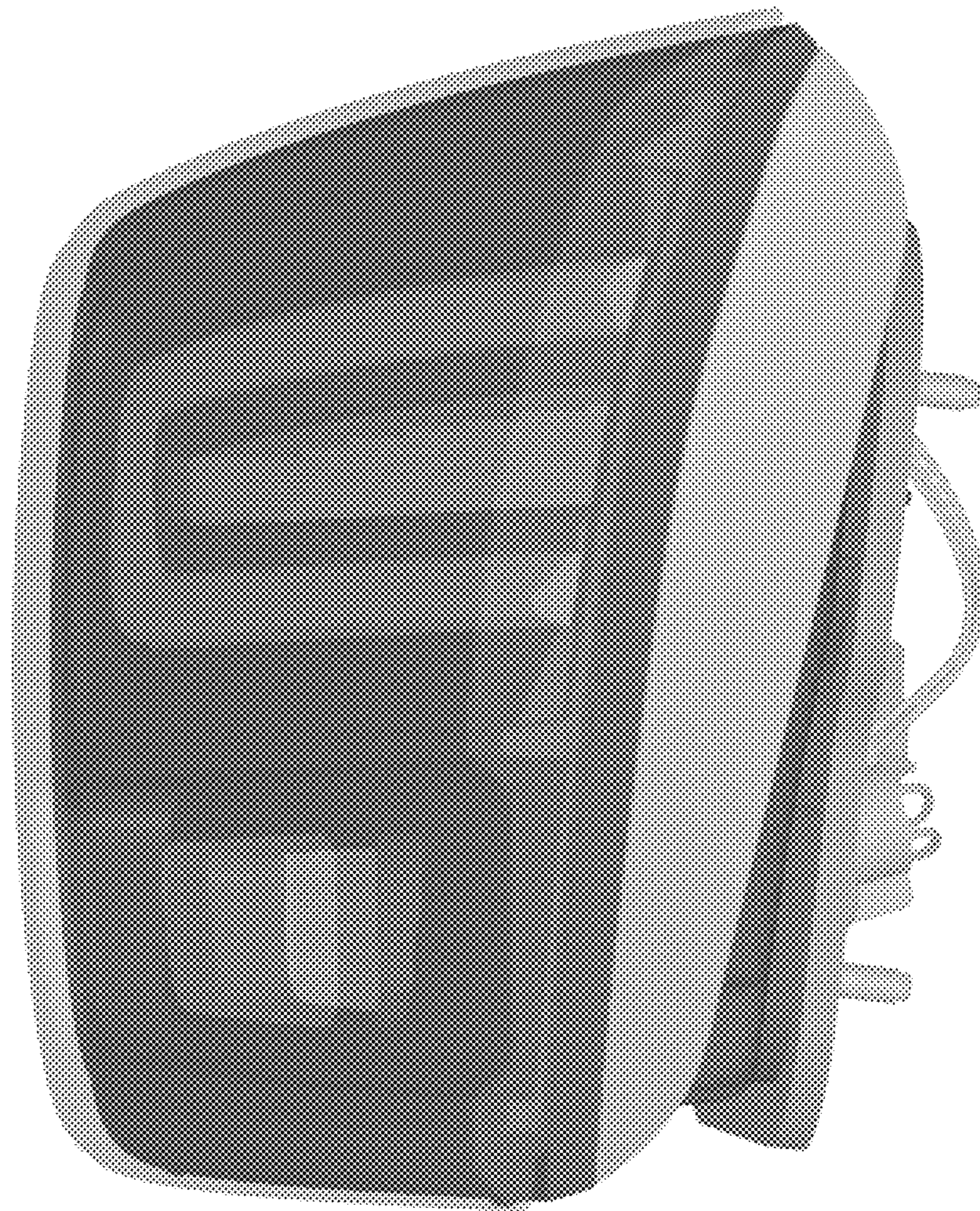
1.3



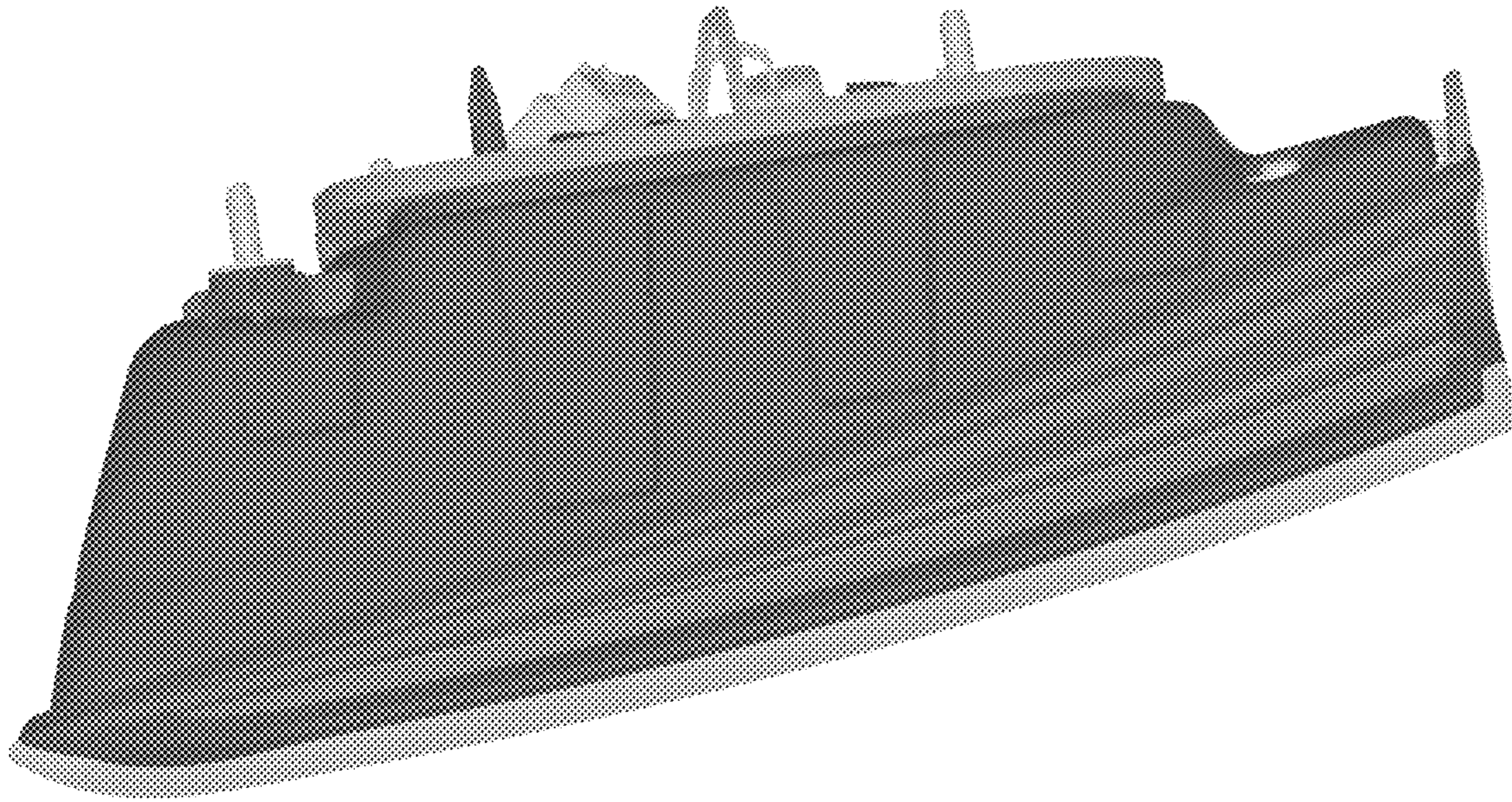
1.4



1.5



1.6



1.7

