



US00D868315S

(12) **United States Design Patent**  
**Lin**

(10) **Patent No.:** **US D868,315 S**

(45) **Date of Patent:** **\*\* Nov. 26, 2019**

(54) **AUTOMOBILE HEADLIGHT**

(71) Applicant: **Chi-Chung Lin**, Hsinchu (TW)

(72) Inventor: **Chi-Chung Lin**, Hsinchu (TW)

(\*\*) Term: **15 Years**

(21) Appl. No.: **29/665,354**

(22) Filed: **Oct. 2, 2018**

(51) **LOC (12) Cl.** ..... **26-06**

(52) **U.S. Cl.**  
USPC ..... **D26/28**

(58) **Field of Classification Search**  
USPC ..... D26/28-36, 139  
CPC ..... F21S 48/00; F21S 48/10; F21S 48/115;  
F21S 48/225; F21S 48/1233; F21S  
48/1266; F21S 48/1388; F21S 48/2268;  
F21V 21/04; B60Q 9/13; B60Q 9/135;  
B60Q 9/1375

See application file for complete search history.

(56) **References Cited**

**U.S. PATENT DOCUMENTS**

D460,833 S \* 7/2002 Horowitz ..... D26/28  
D566,863 S 4/2008 Janik

D569,533 S \* 5/2008 Hsu ..... D26/28  
D706,467 S \* 6/2014 Robinson ..... D26/28  
D735,911 S \* 8/2015 O'Donnell ..... D26/28  
D743,064 S \* 11/2015 Lai ..... D26/28  
D747,518 S \* 1/2016 Lai ..... D26/28  
D770,648 S \* 11/2016 Lai ..... D26/28  
D800,931 S \* 10/2017 Lai ..... D26/28

\* cited by examiner

*Primary Examiner* — Marcus A Jackson

(74) *Attorney, Agent, or Firm* — Alexander Chen, Esq.;  
Inhouse Co. Law Firm

(57) **CLAIM**

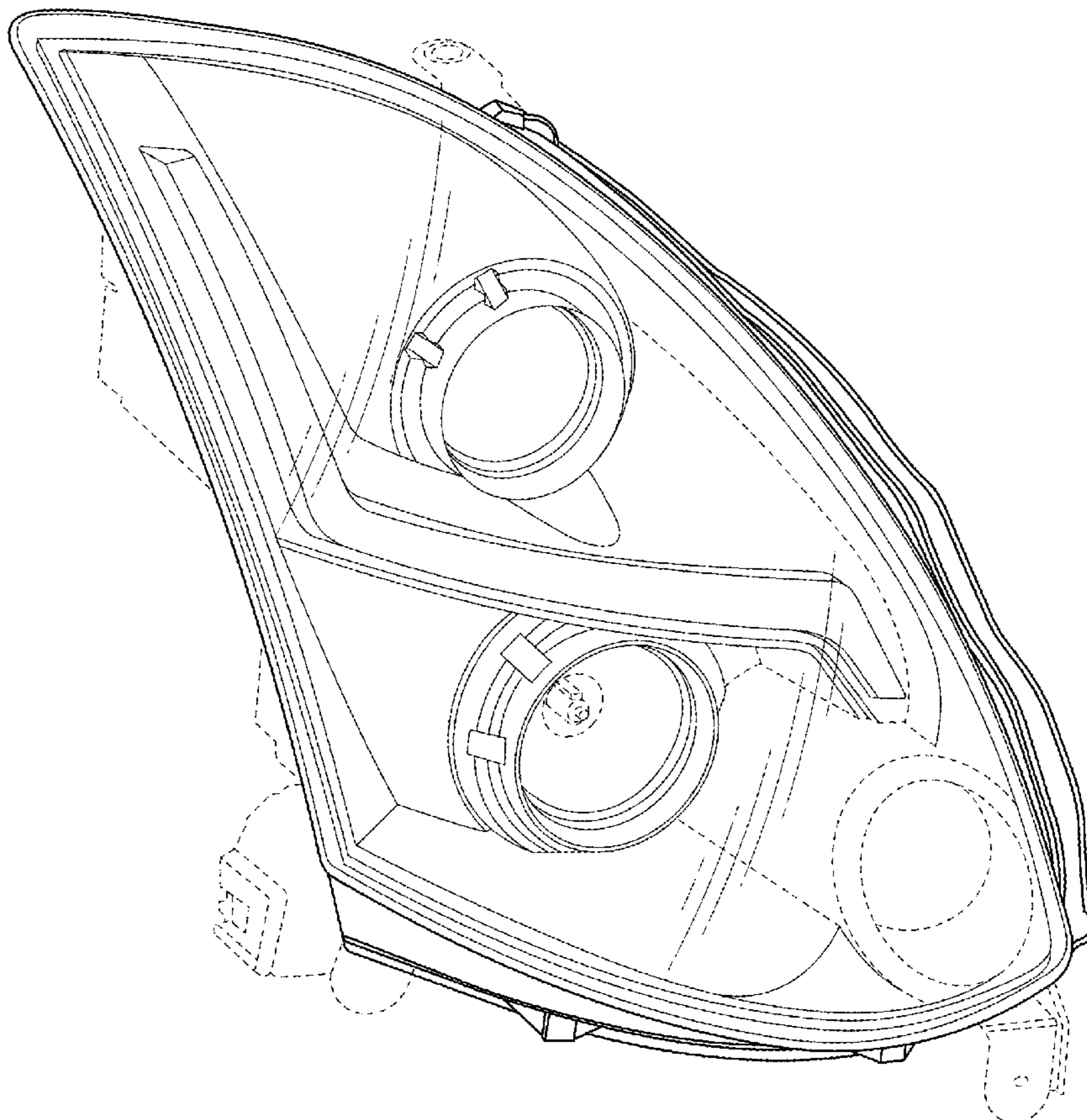
The ornamental design for an automobile headlight, as shown and described.

**DESCRIPTION**

FIG. 1 is a perspective view of an automobile headlight;  
FIG. 2 is a front view thereof;  
FIG. 3 is a side view thereof; and,  
FIG. 4 is a top view thereof.

The broken lines are included to show environmental structure and form no part of the claimed design. The drawings and descriptions represent the left side embodiment. The claim is also for a mirror image right side embodiment.

**1 Claim, 4 Drawing Sheets**



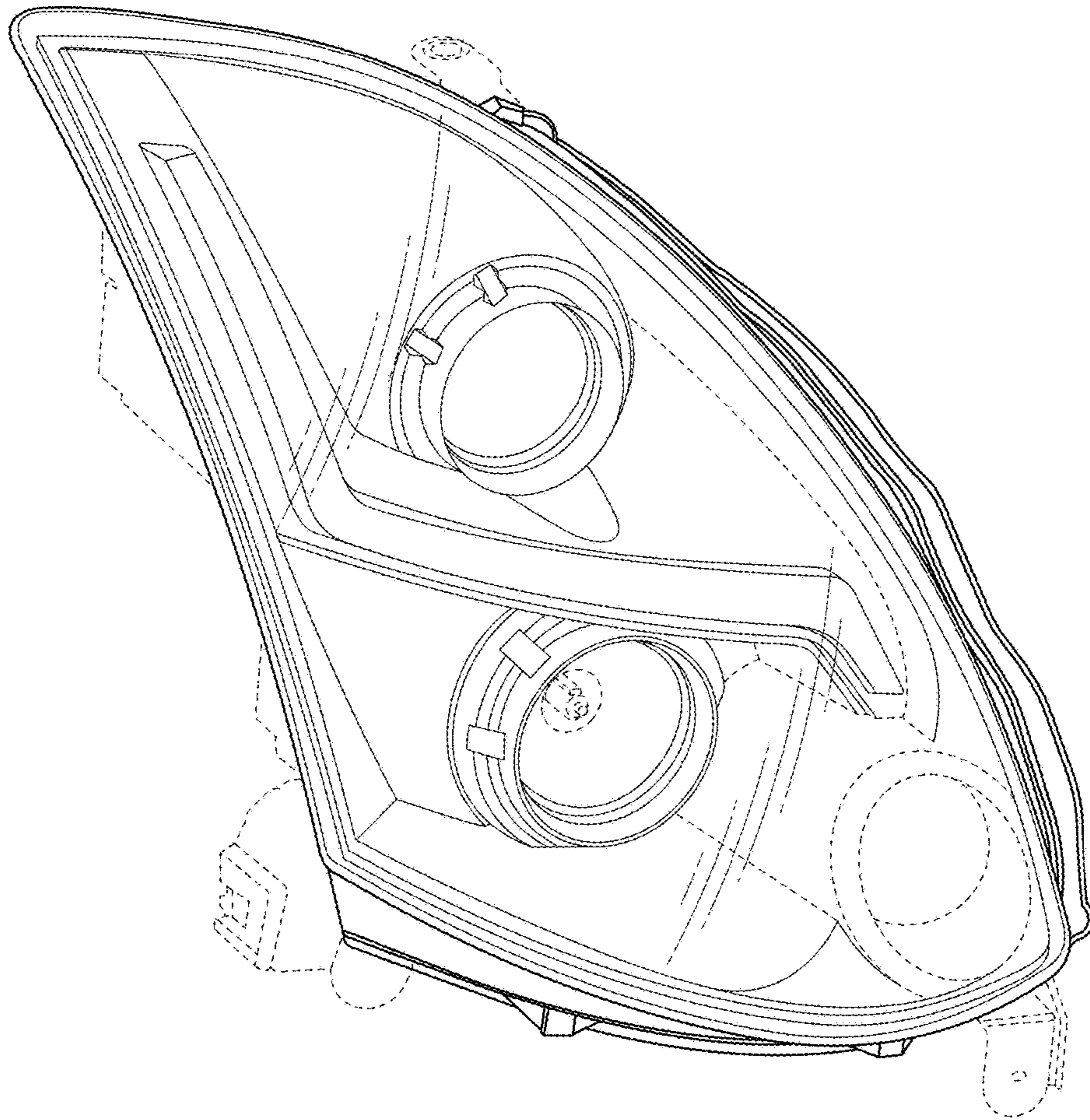


FIG. 1

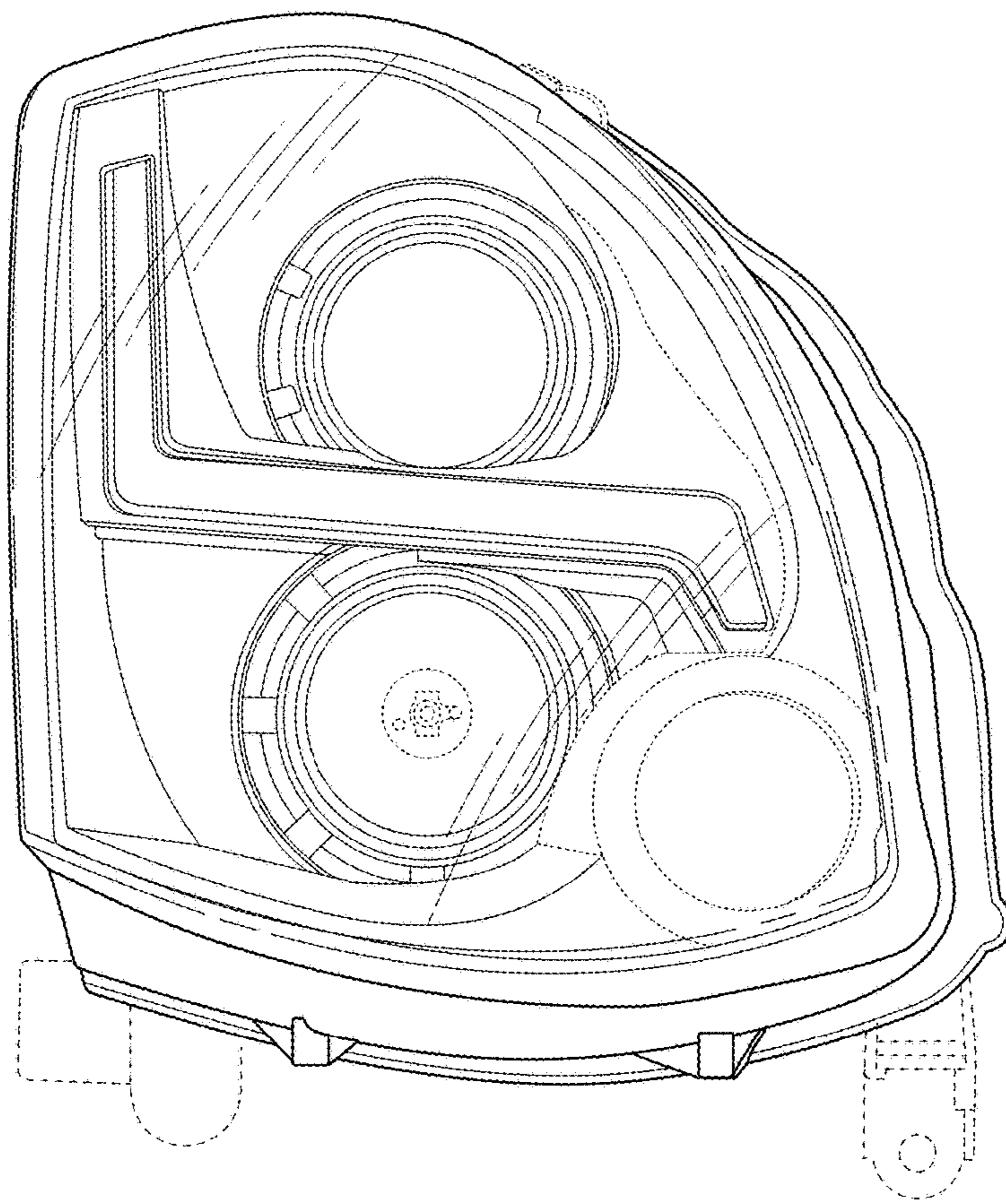


FIG. 2

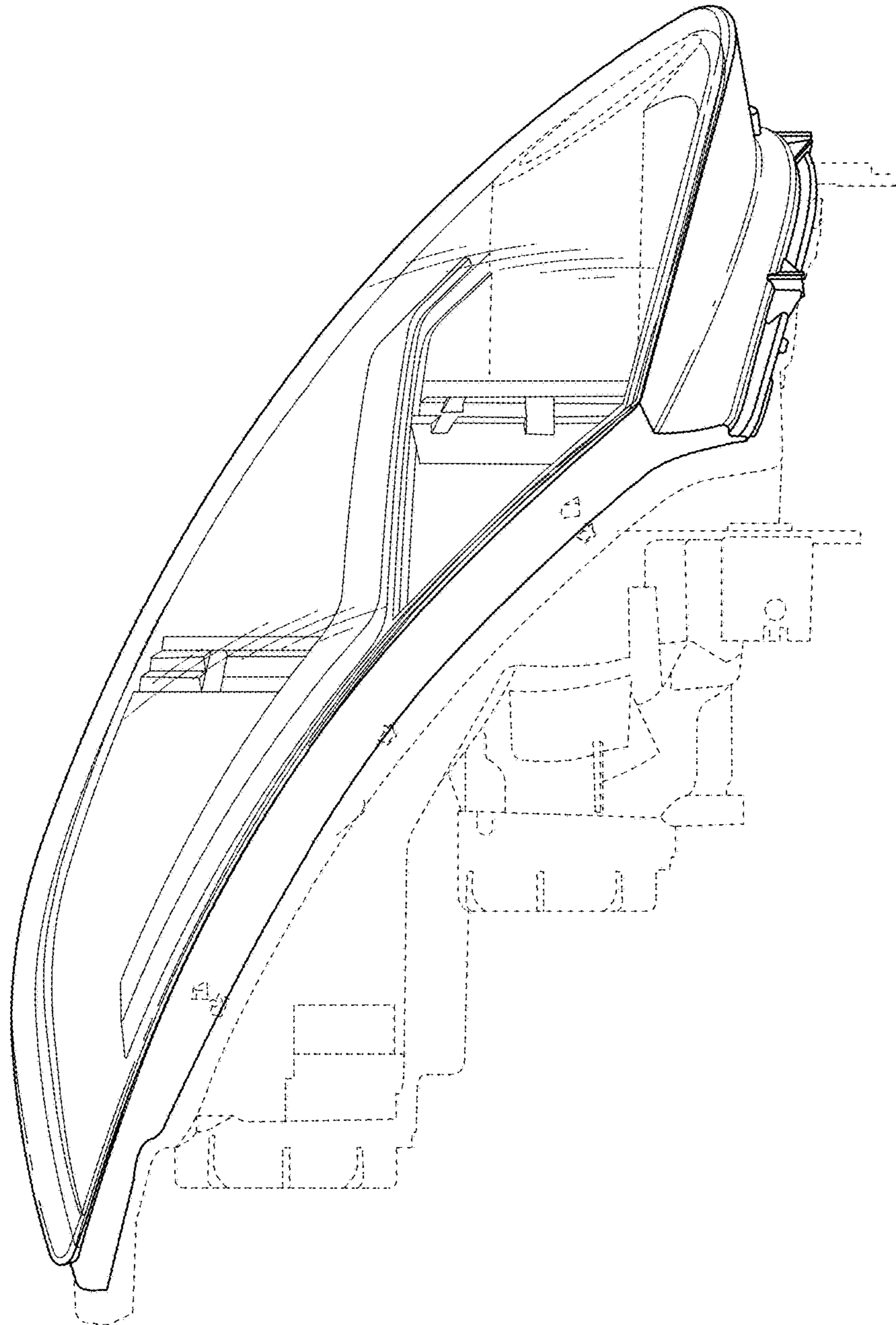


FIG. 3

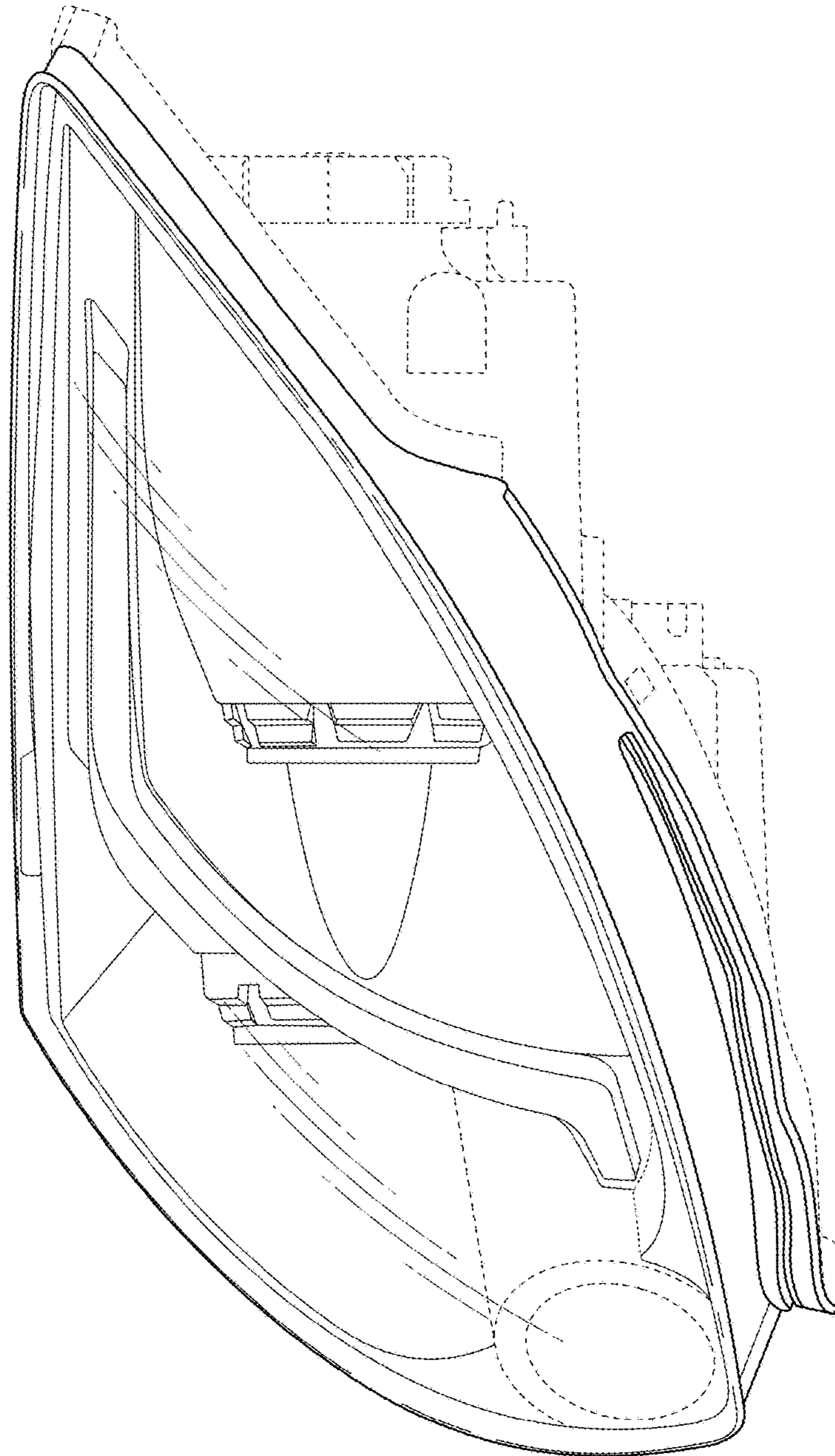


FIG. 4