



US00D868312S

(12) **United States Design Patent**
Takamatsu

(10) **Patent No.:** **US D868,312 S**

(45) **Date of Patent:** **** Nov. 26, 2019**

(54) **FRONT COMBINATION LAMP FOR AN AUTOMOBILE**

(71) Applicant: **Subaru Corporation**, Tokyo (JP)

(72) Inventor: **Yuuki Takamatsu**, Tokyo (JP)

(73) Assignee: **Subaru Corporation**, Tokyo (JP)

(**) Term: **15 Years**

(21) Appl. No.: **29/658,219**

(22) Filed: **Jul. 30, 2018**

(30) **Foreign Application Priority Data**

Jan. 30, 2018 (JP) 2018001665

(51) **LOC (12) Cl.** **26-06**

(52) **U.S. Cl.**
USPC **D26/28**

(58) **Field of Classification Search**
USPC D26/28-36, 139
CPC F21S 48/00; F21S 48/10; F21S 48/115;
F21S 48/225; F21S 48/1233; F21S
48/1266; F21S 48/1388; F21S 48/2268;
F21V 21/04; F21K 9/00; F21K 29/004
See application file for complete search history.

(56) **References Cited**

U.S. PATENT DOCUMENTS

D528,133 S * 9/2006 Brazier D15/28
D528,685 S * 9/2006 Yoshida D26/28

D544,114 S * 6/2007 Ohta D26/28
D560,291 S * 1/2008 Koyama D26/28
D561,358 S * 2/2008 Tachibana D26/28
D597,232 S * 7/2009 Hanaoka D26/28
D726,353 S * 4/2015 Yagihashi D26/28

* cited by examiner

Primary Examiner — Marcus A Jackson

(74) *Attorney, Agent, or Firm* — Schiff Hardin LLP

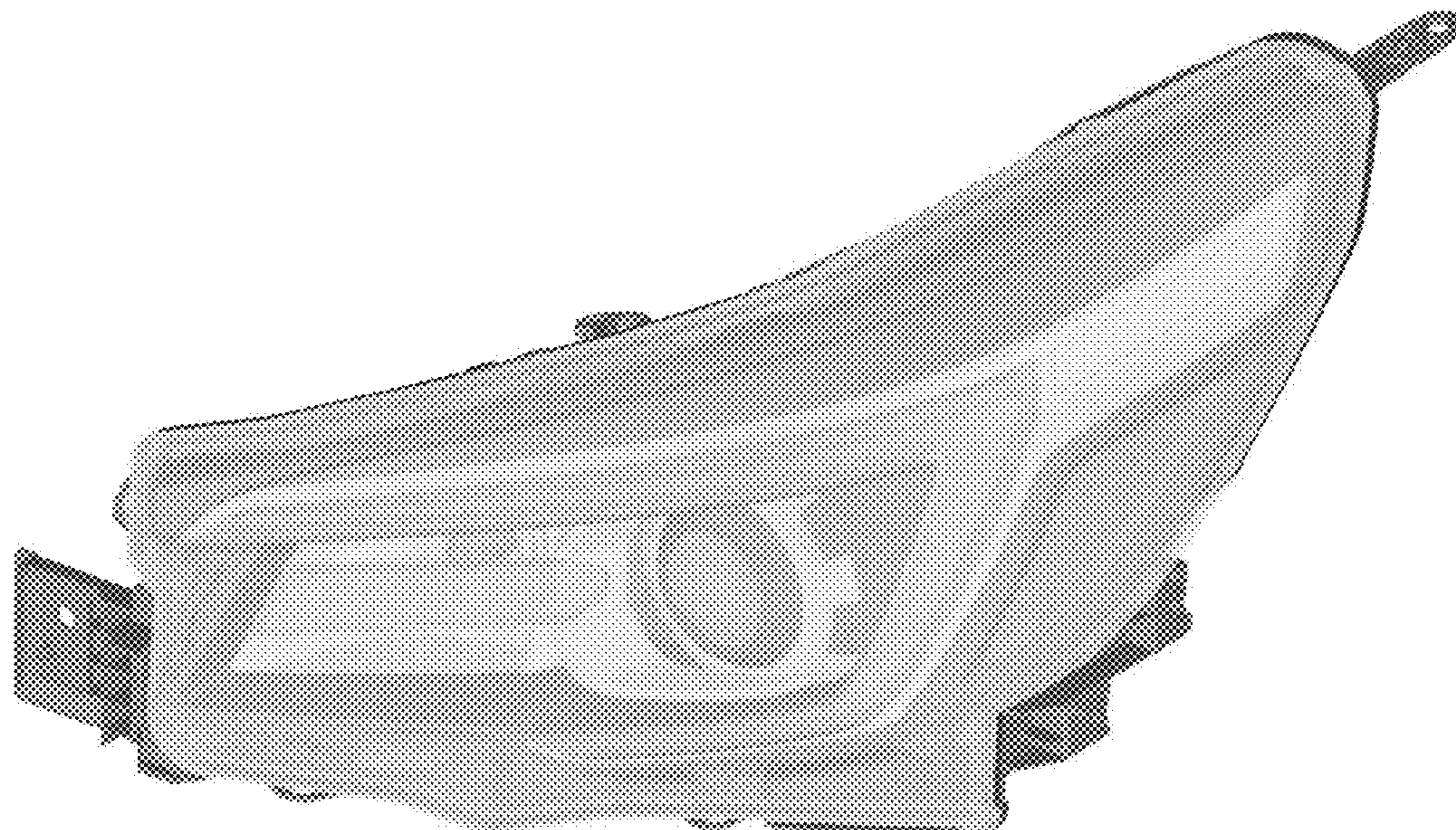
(57) **CLAIM**

The ornamental design for a front combination lamp for an automobile, as shown and described.

DESCRIPTION

The patent or application file contains at least one drawing executed in color. Copies of this patent or patent application publication with color drawing(s) will be provided by the Office upon request and payment of the necessary fee. FIG. 1 is a front perspective view for a “front combination lamp for an automobile” showing my new design, FIG. 2 is a rear perspective view thereof, FIG. 3 is a front view thereof, FIG. 4 is a rear view thereof, FIG. 5 is a top view thereof, FIG. 6 is a bottom view thereof, FIG. 7 is a left-side view thereof, FIG. 8 is a right-side view thereof; and, FIG. 9 is a reference perspective view showing a translucent portion.

1 Claim, 9 Drawing Sheets
(1 of 9 Drawing Sheet(s) Filed in Color)



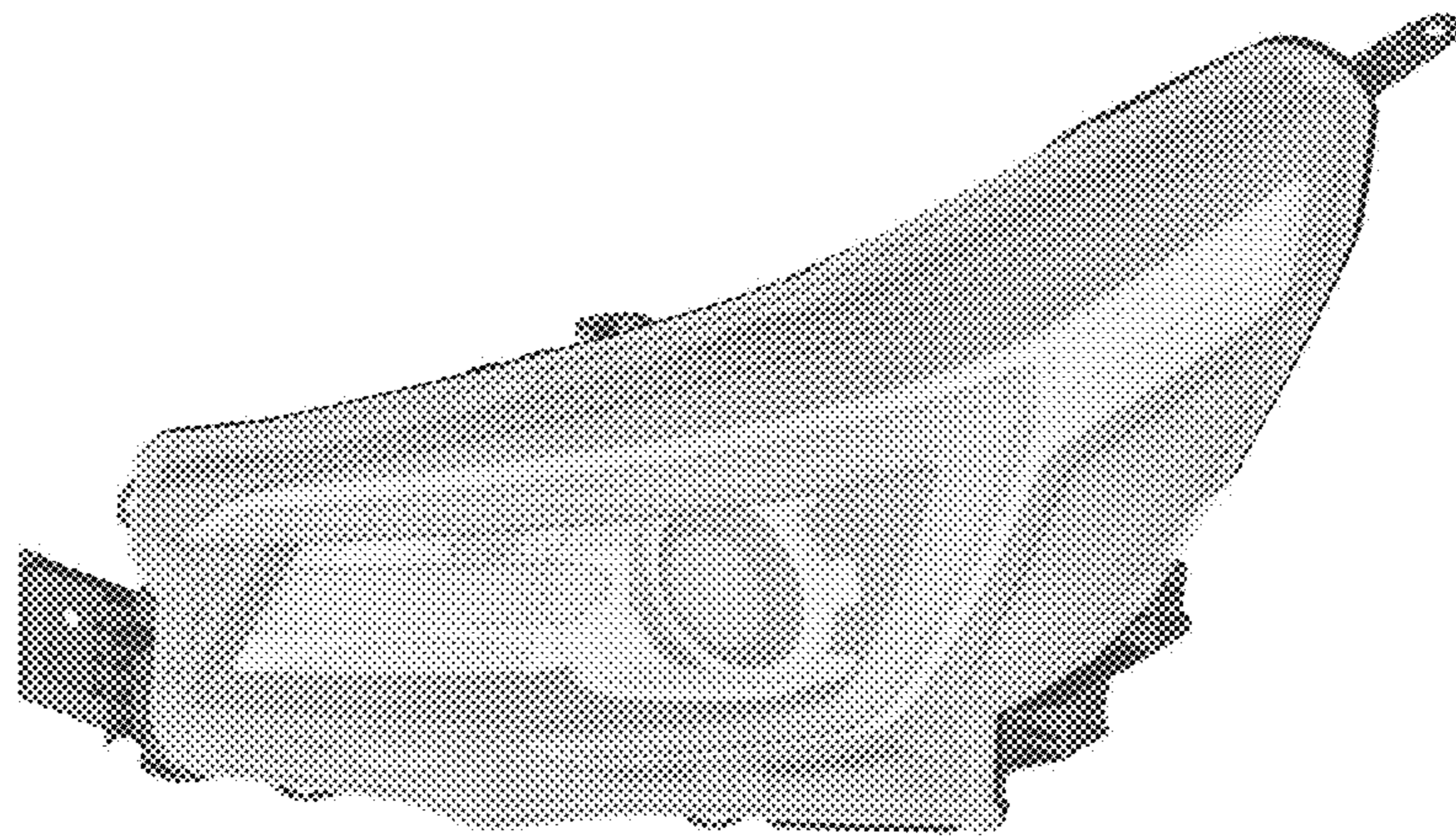


FIG. 1

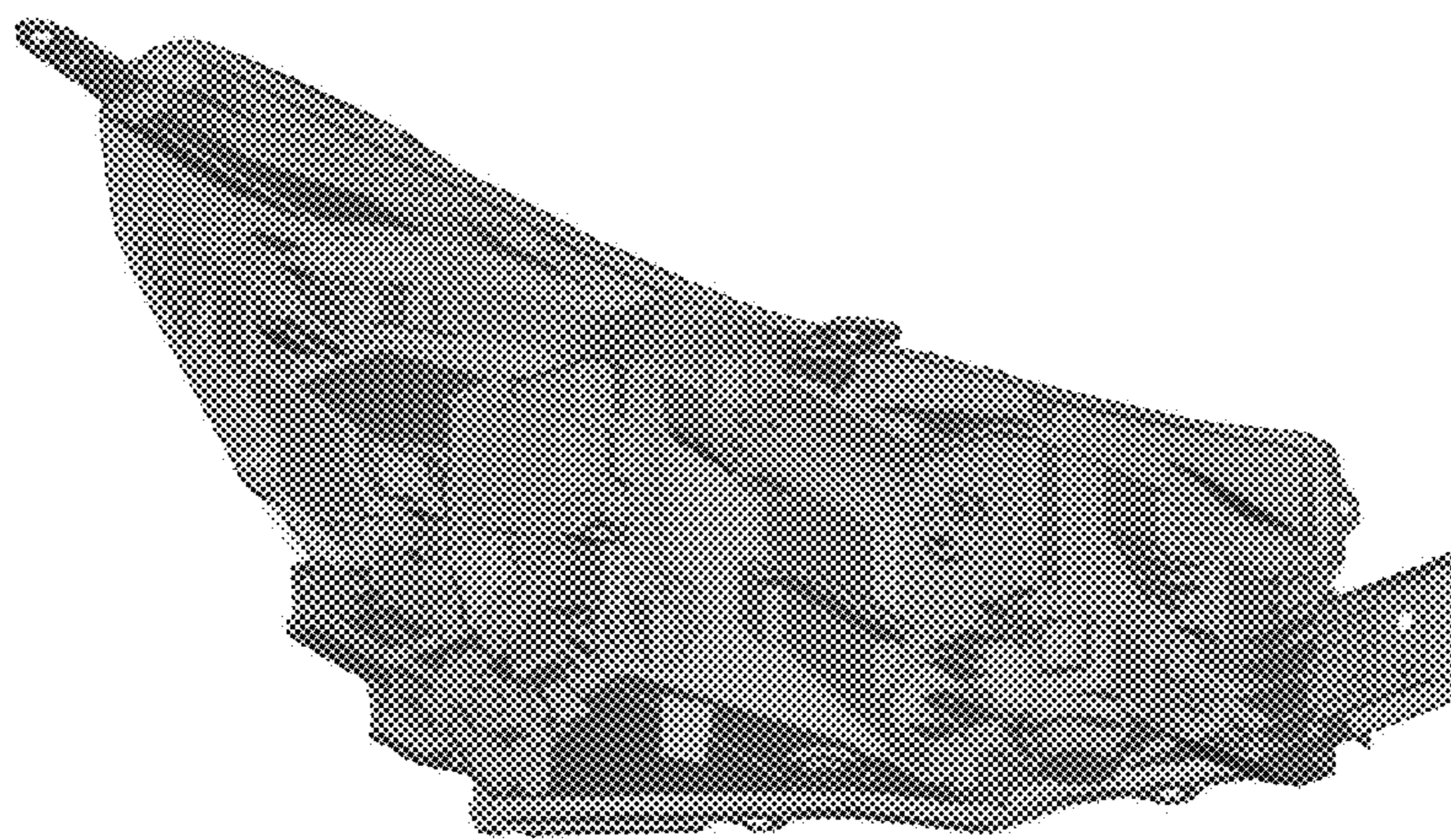


FIG. 2

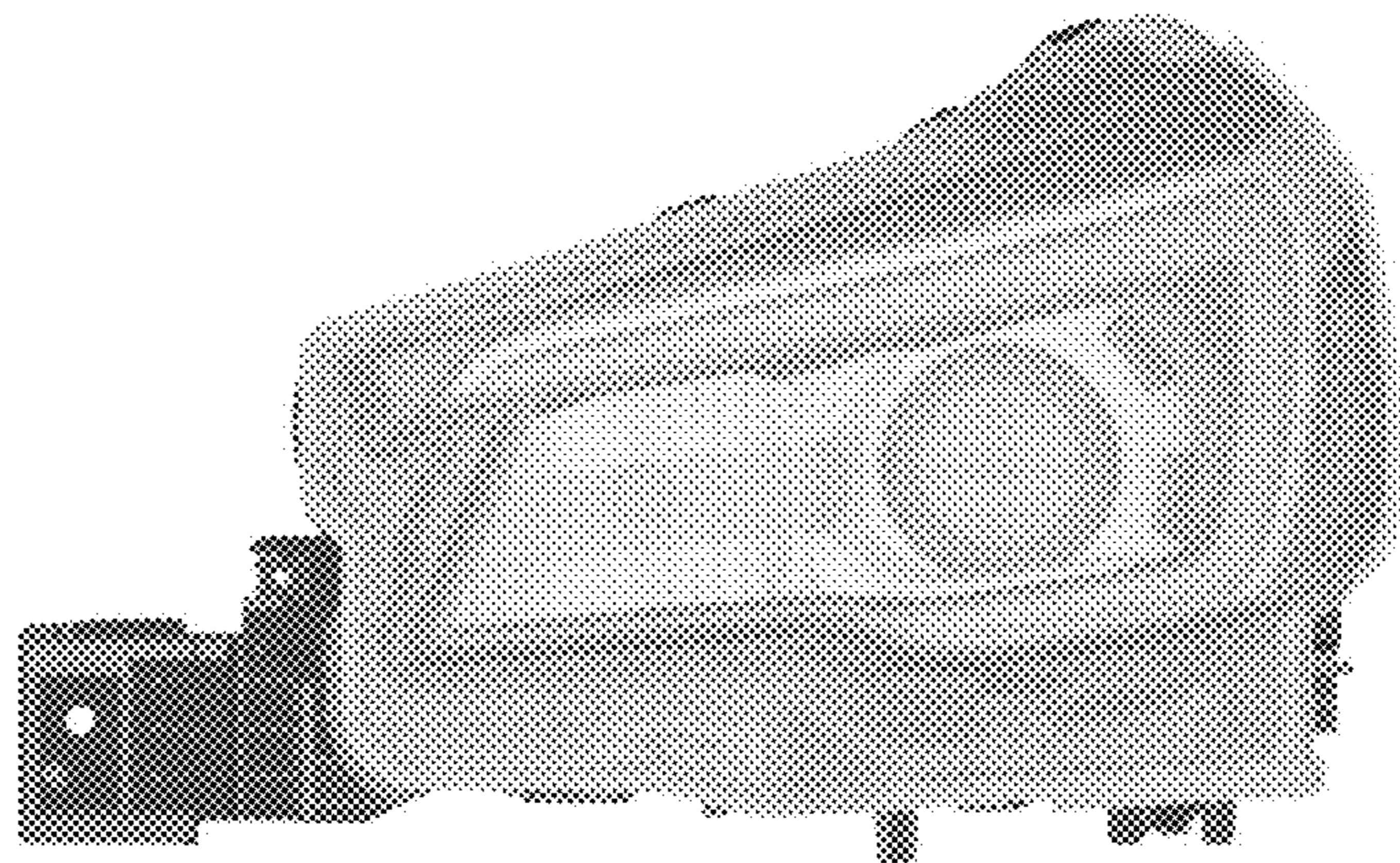


FIG. 3

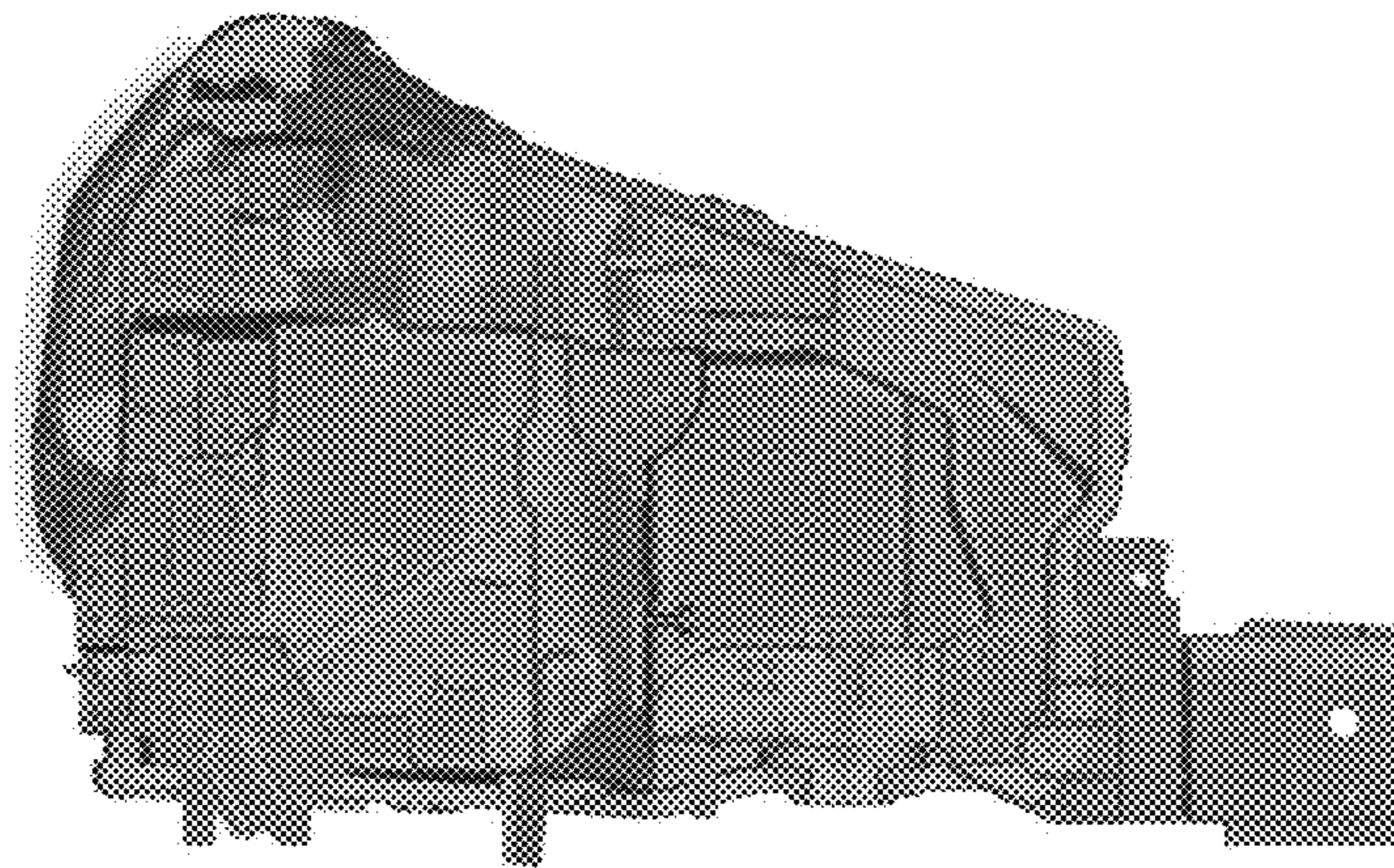


FIG. 4

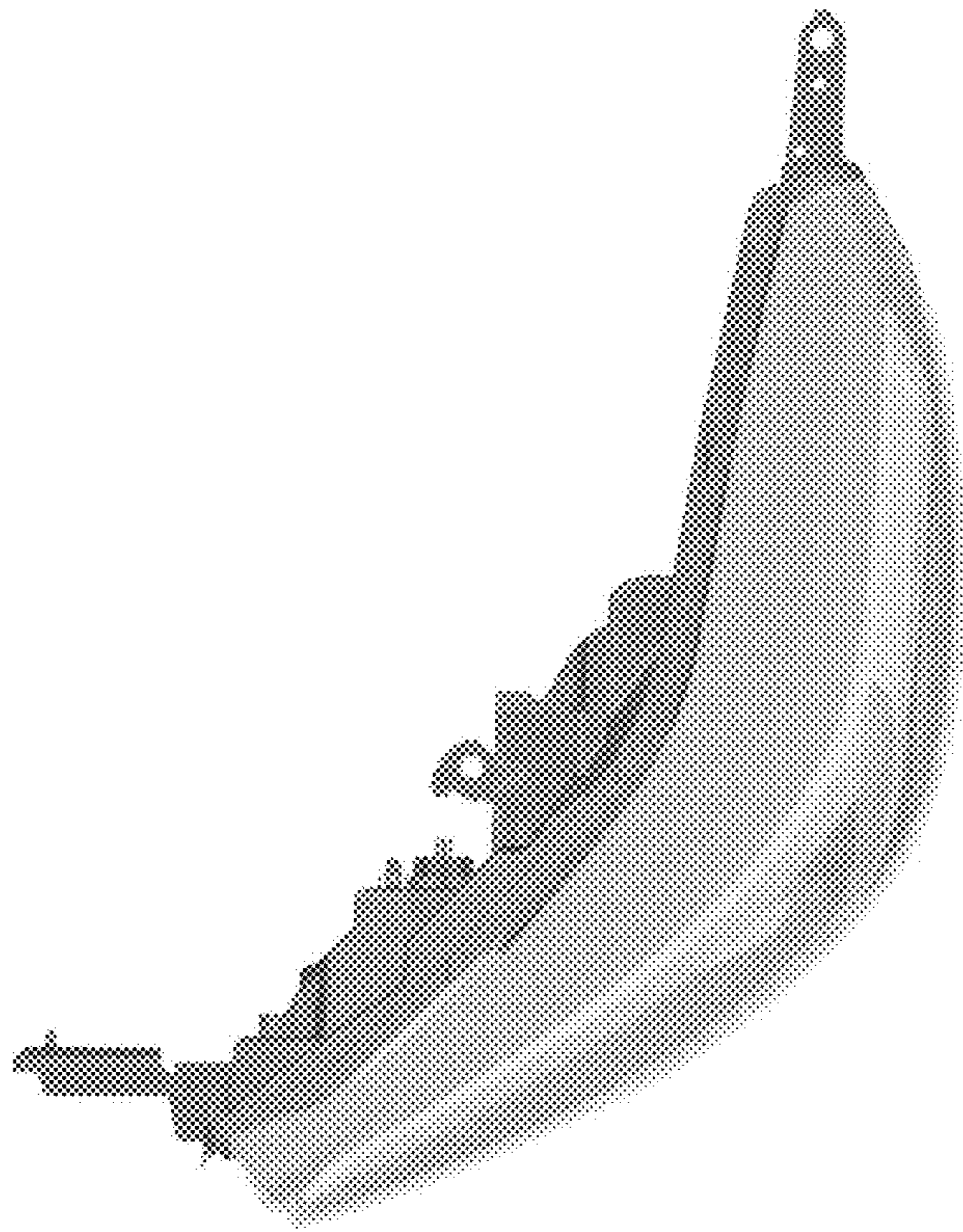


FIG. 5

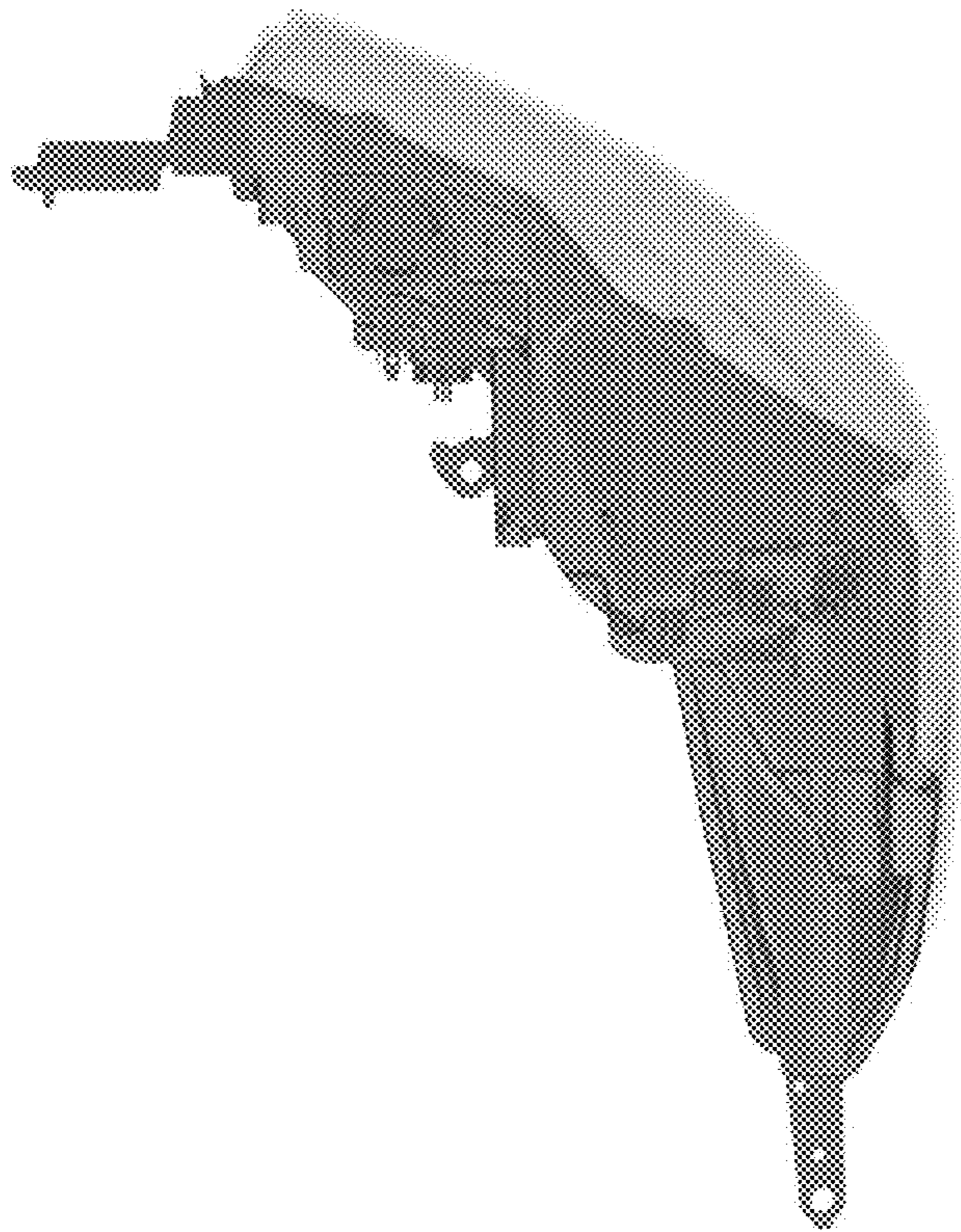


FIG. 6

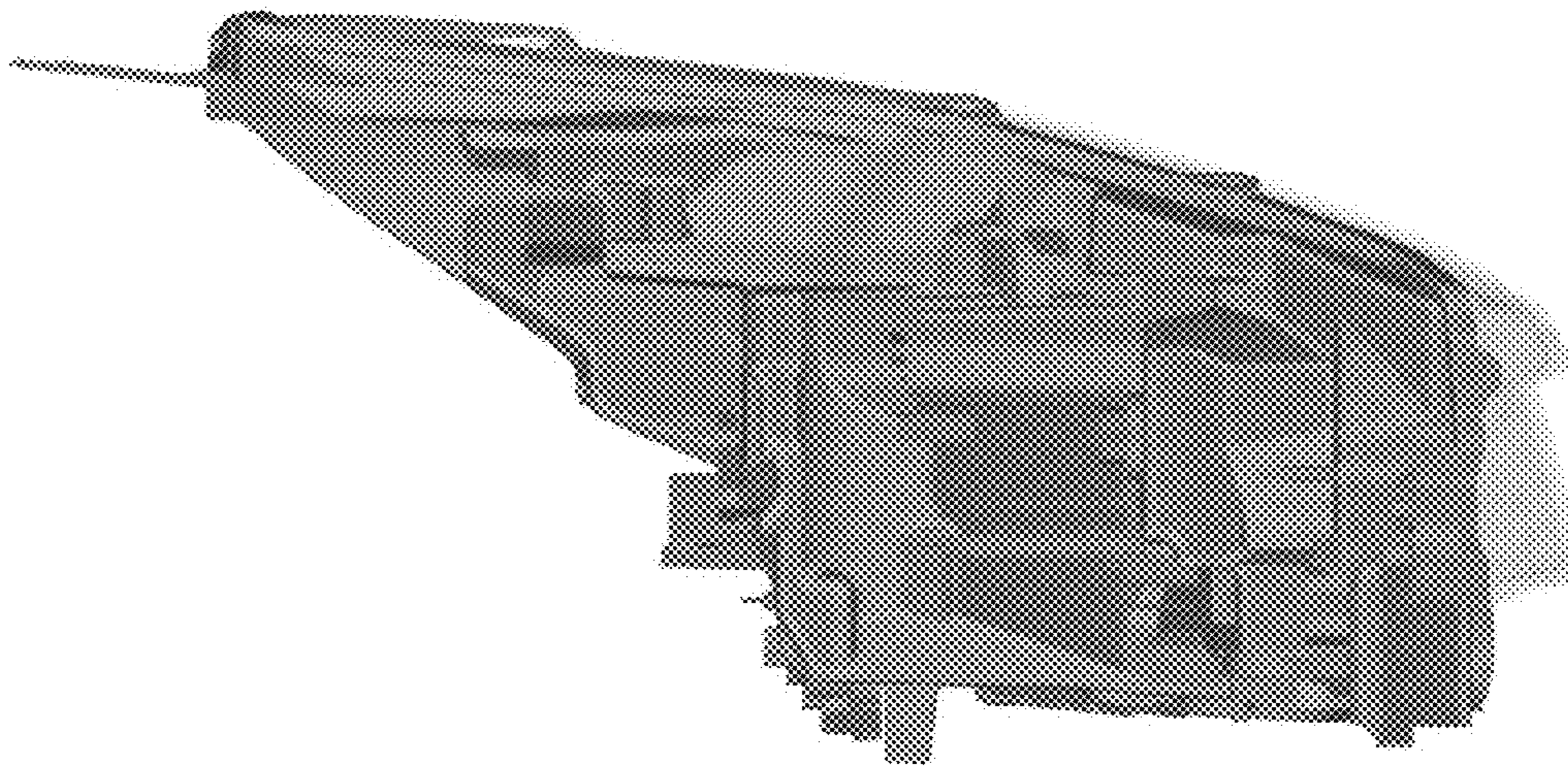


FIG. 7

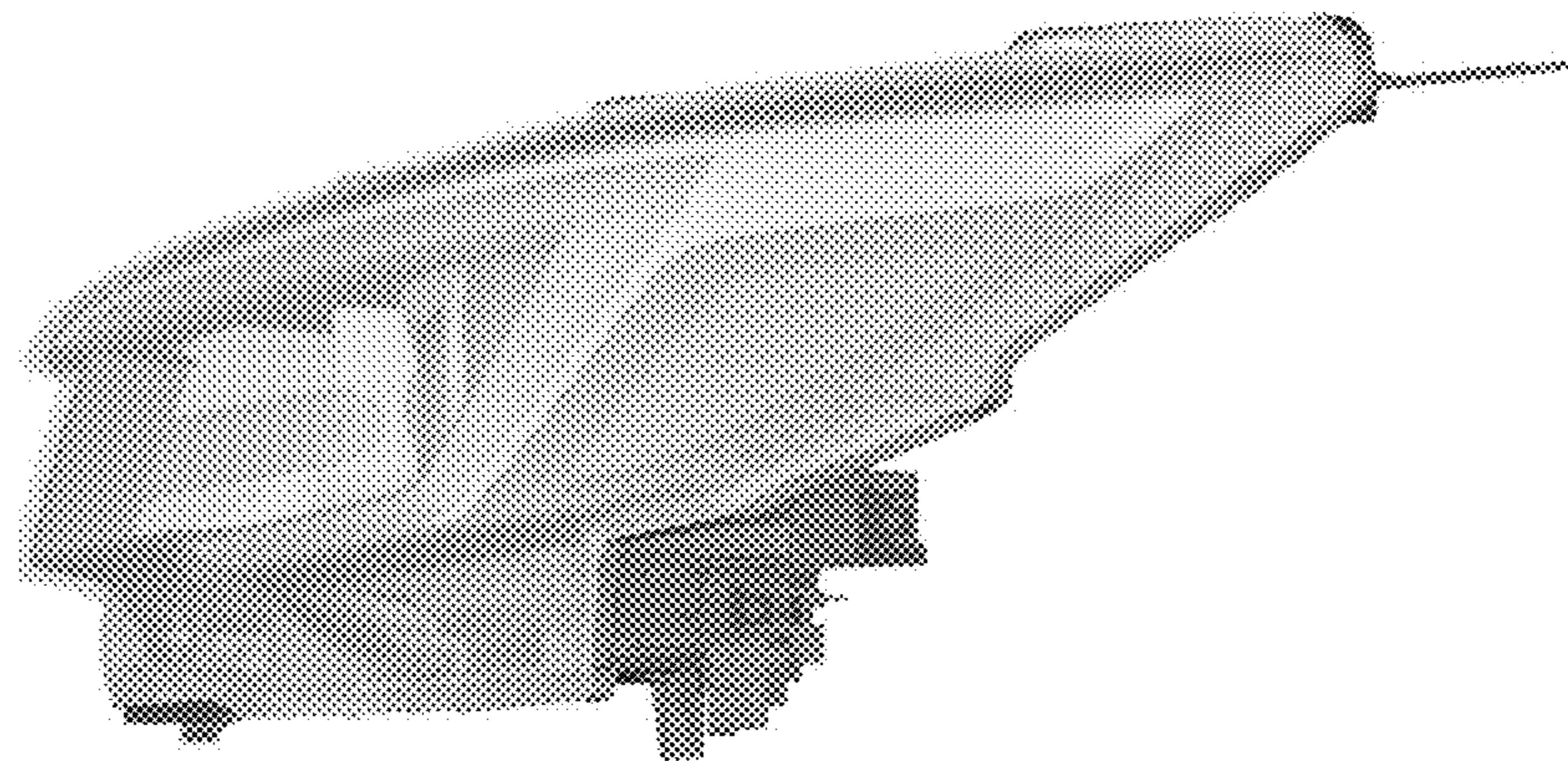


FIG. 8

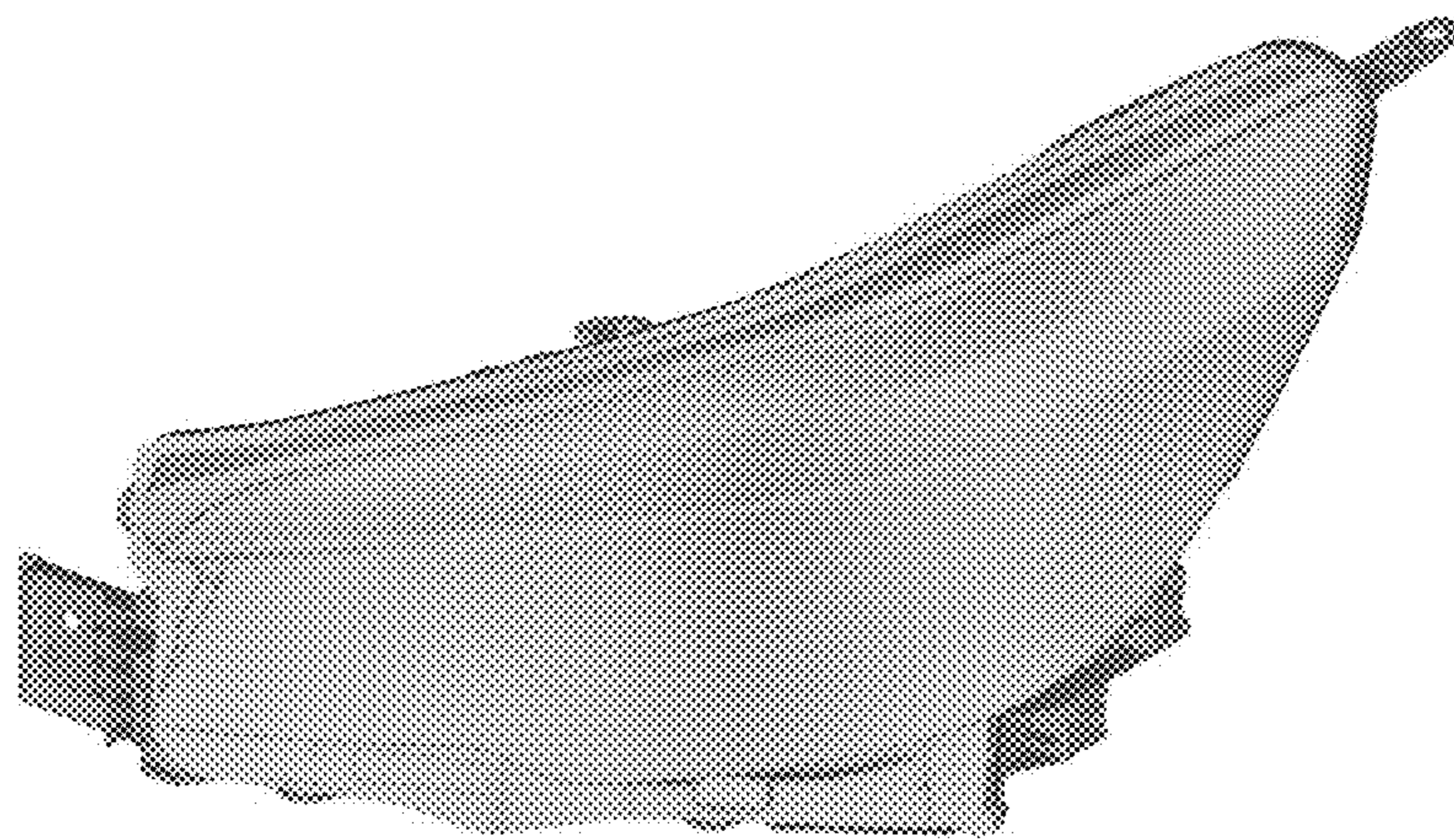


FIG. 9