



US00D868311S

(12) **United States Design Patent** (10) **Patent No.:** **US D868,311 S**
Iida et al. (45) **Date of Patent:** **** Nov. 26, 2019**

(54) **FRONT COMBINATION LAMP FOR AN AUTOMOBILE**

D561,358 S * 2/2008 Tachibana D26/28
D561,359 S * 2/2008 Hsu D26/28
D563,576 S * 3/2008 Hanaoka D26/28

(71) Applicants: **Hideaki Iida**, Vallauris (FR); **Tatsuya Iwai**, Pasadena, CA (US); **Takuya Ishibashi**, Nisshin (JP)

OTHER PUBLICATIONS

Netcarshow, Lexus LC 500h (2017), <https://www.netcarshow.com/lexus/2017-lc_500h/>, available as early as Feb. 1, 2016.

(72) Inventors: **Hideaki Iida**, Vallauris (FR); **Tatsuya Iwai**, Pasadena, CA (US); **Takuya Ishibashi**, Nisshin (JP)

(Continued)

(73) Assignee: **TOYOTA JIDOSHA KABUSHIKI KAISHA** (JP)

Primary Examiner — Marcus A Jackson
(74) *Attorney, Agent, or Firm* — Saidman DesignLaw Group, LLC

(**) Term: **15 Years**

(57) **CLAIM**

(21) Appl. No.: **29/656,861**

The ornamental design for a front combination lamp for an automobile, as shown and described.

(22) Filed: **Jul. 17, 2018**

(30) **Foreign Application Priority Data**

DESCRIPTION

Jan. 19, 2018 (JP) 2018-000864
Jan. 19, 2018 (JP) 2018-000865

FIG. 1 is a perspective view of a front combination lamp for an automobile showing our new design;
FIG. 2 is a front view thereof;
FIG. 3 is a rear view thereof;
FIG. 4 is a left side view thereof;
FIG. 5 is a right side view thereof;
FIG. 6 is a top view thereof;
FIG. 7 is a bottom view thereof;
FIG. 8 is a second embodiment thereof;
FIG. 9 is a front view thereof;
FIG. 10 is a rear view thereof;
FIG. 11 is a left side view thereof;
FIG. 12 is a right side view thereof;
FIG. 13 is a top view thereof; and,
FIG. 14 is a bottom view thereof.
The claimed design is indicated by the relatively dark portions in the figures. The relatively light portions form no part of the claimed design.

(51) **LOC (12) Cl.** **26-06**

(52) **U.S. Cl.**
USPC **D26/28**

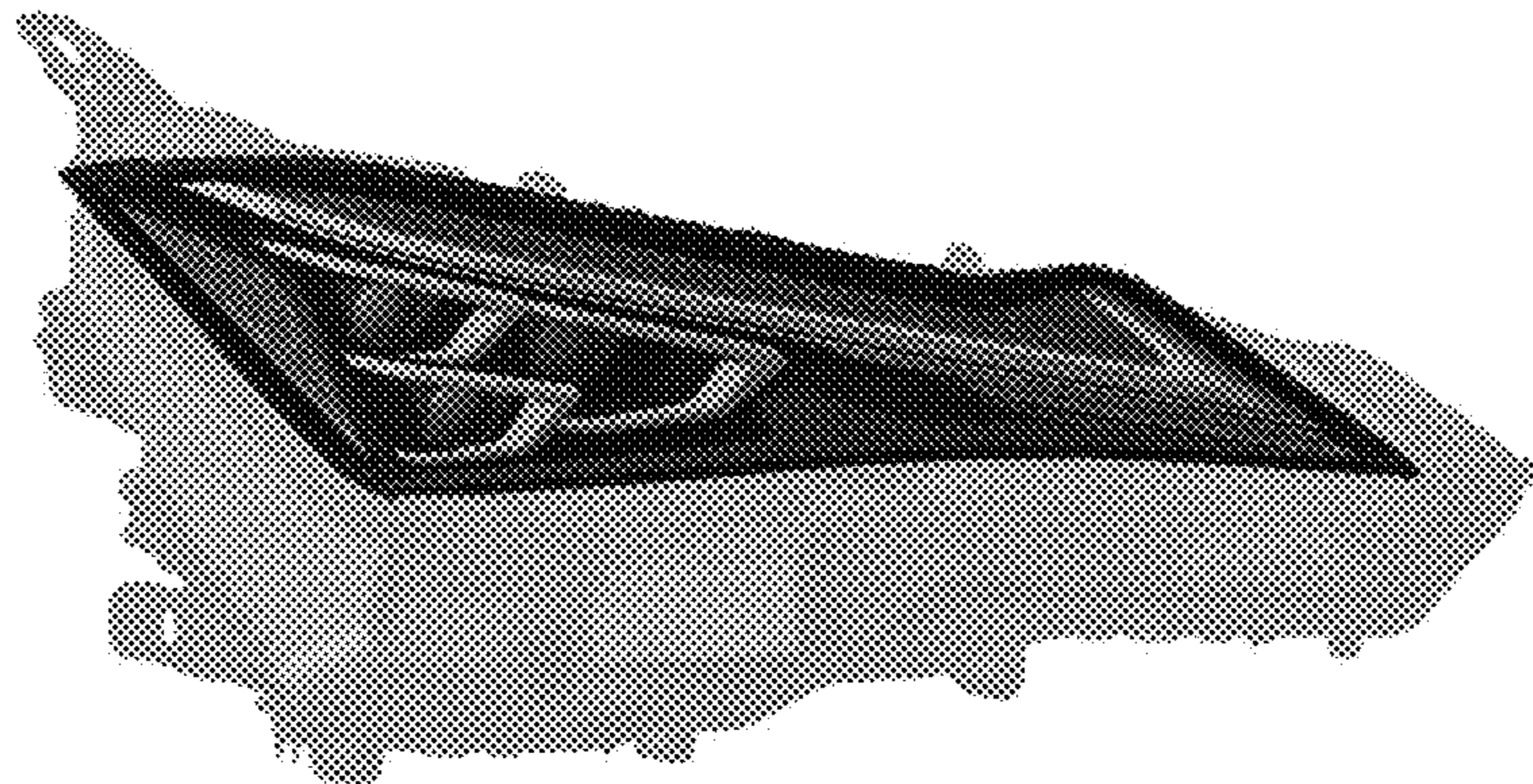
(58) **Field of Classification Search**
USPC D26/28-36, 139
CPC F21S 48/00; F21S 48/10; F21S 48/115;
F21S 48/225; F21S 48/1233; F21S 48/1266; F21S 48/1388; F21S 48/2268;
F21V 21/04; F21K 9/00; F21K 29/004;
B60Q 9/13; B60Q 9/135; B60Q 9/1375
See application file for complete search history.

(56) **References Cited**

U.S. PATENT DOCUMENTS

D556,349 S * 11/2007 Golden D26/28
D560,291 S * 1/2008 Koyama D26/28

1 Claim, 14 Drawing Sheets



(56)

References Cited

OTHER PUBLICATIONS

Netcarshow, Lexus NX 300h (2018), <<https://www.netcarshow.com/lexus/2018-nx/>>, available as early as Jul. 1, 2017.

Netcarshow, Lexus LS 500 (2018), <https://www.netcarshow.com/lexus/2018-ls_500/>, available as early as Mar. 1, 2017.

* cited by examiner

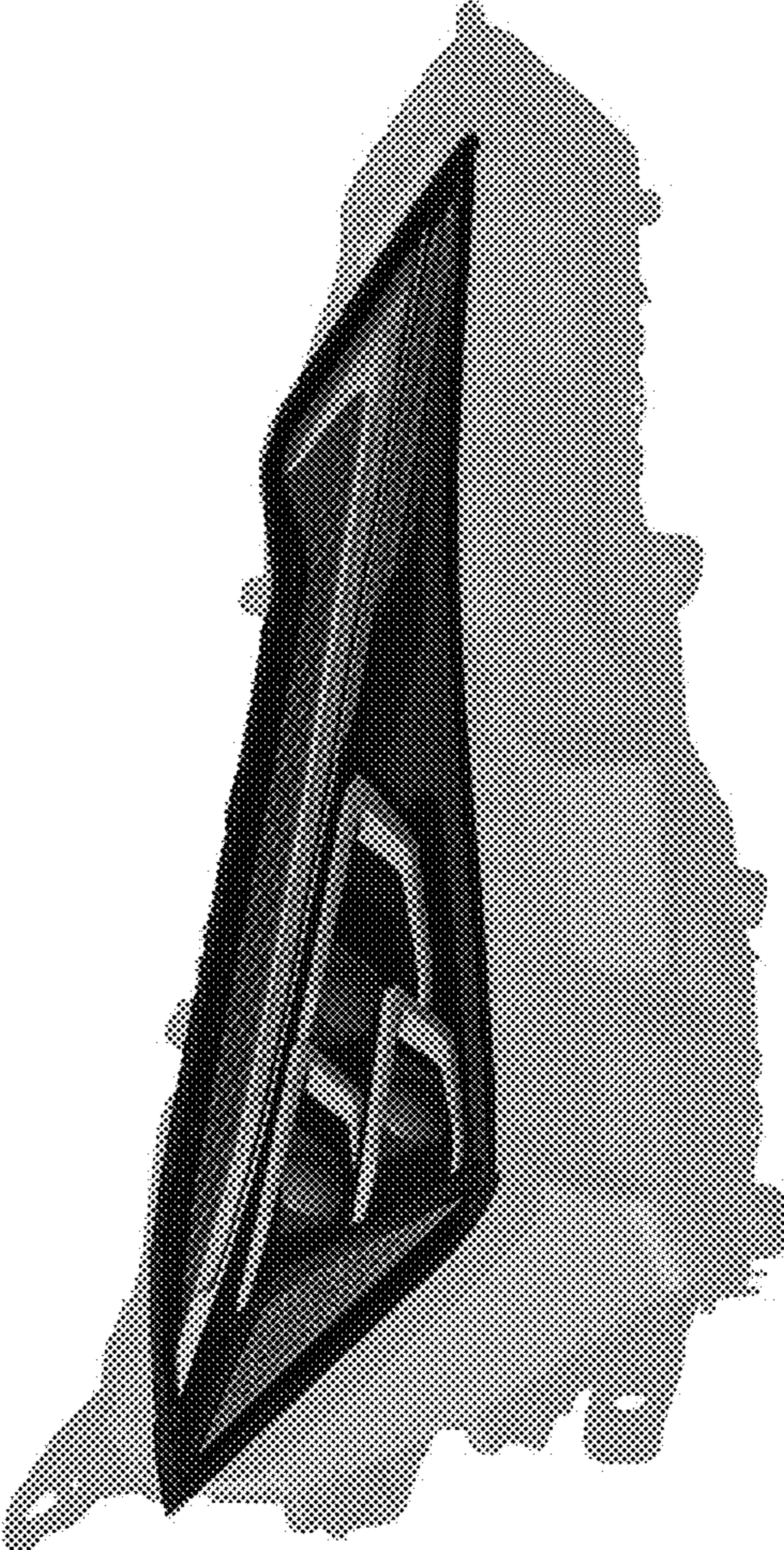


FIG. 1

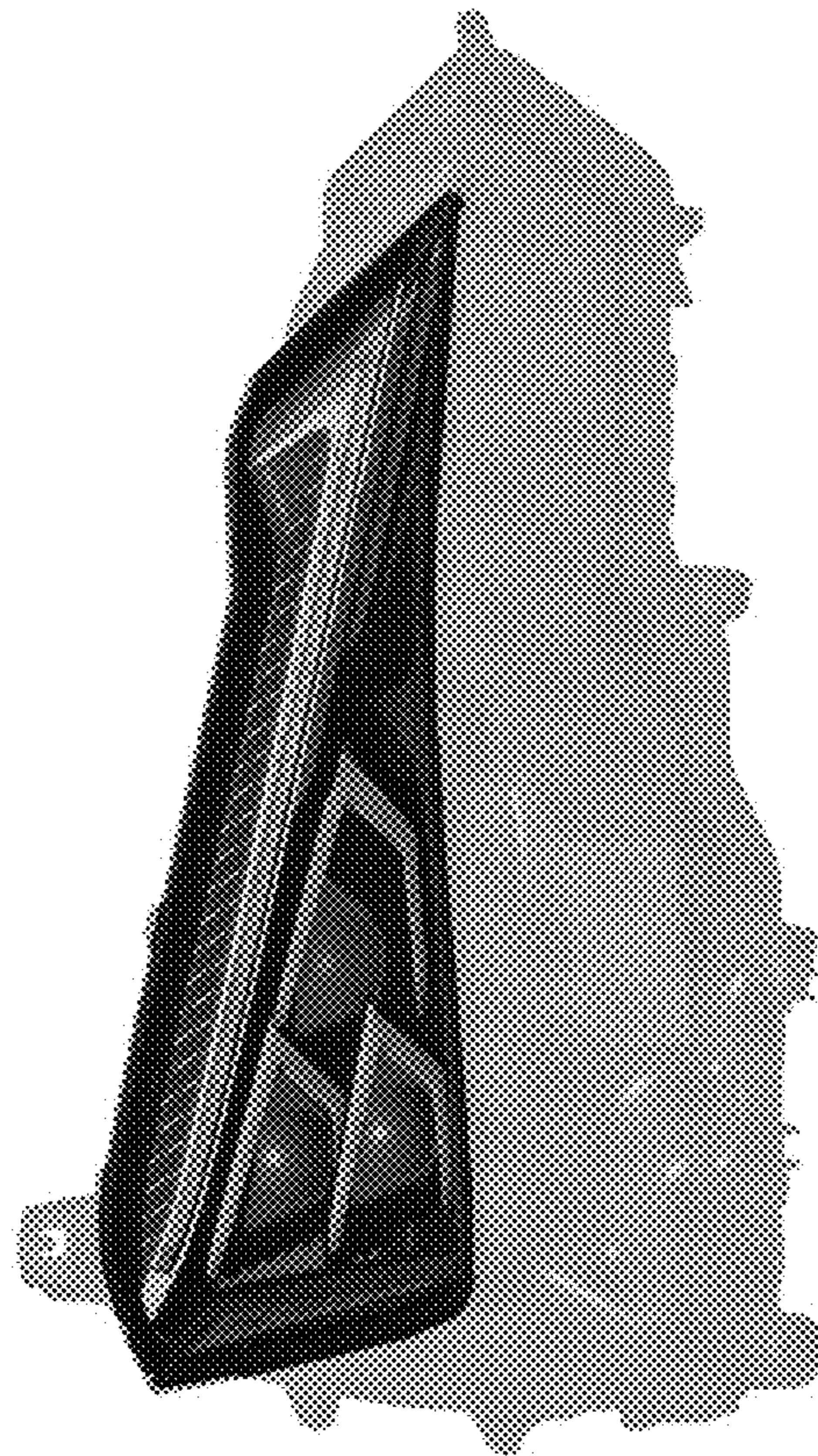


FIG. 2

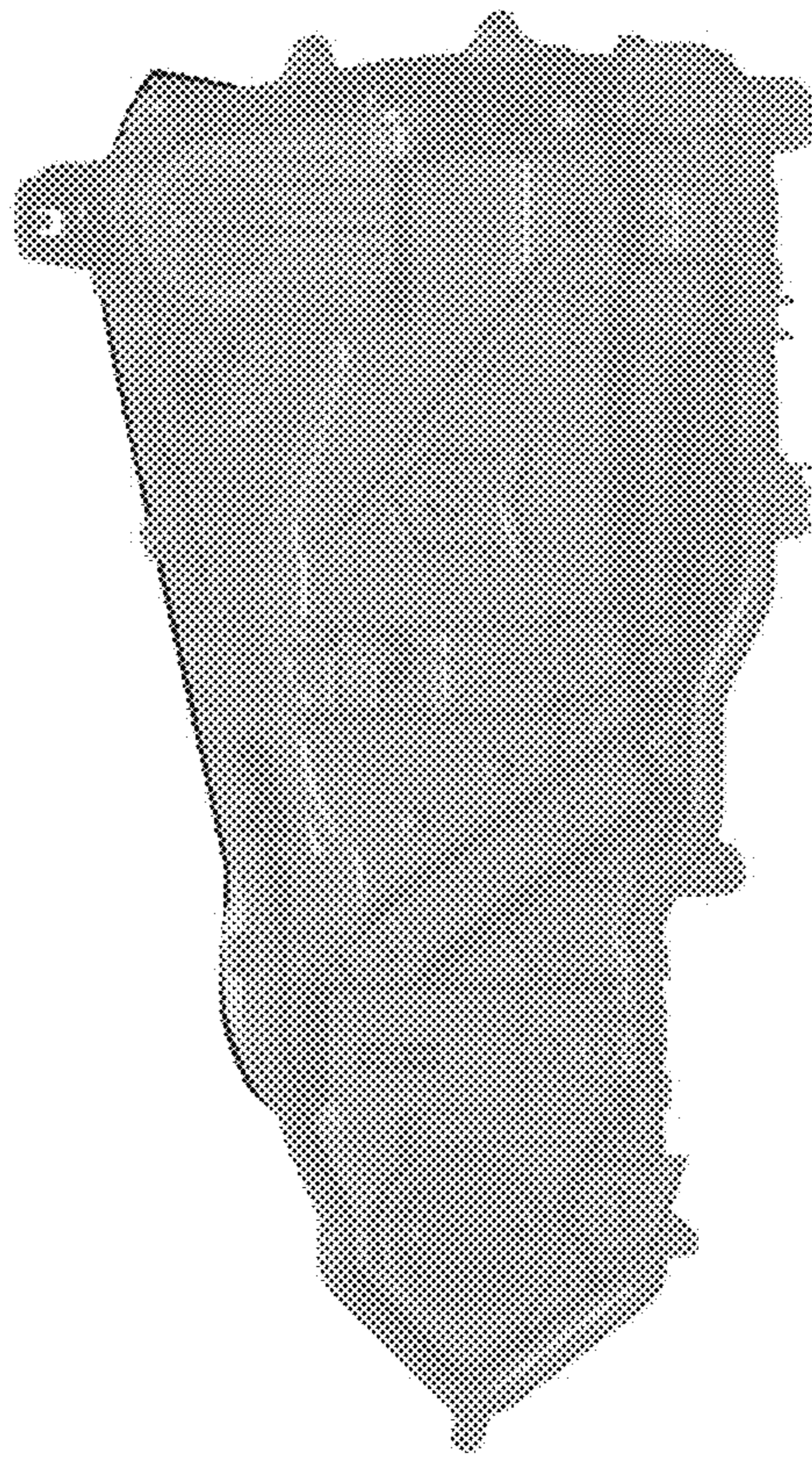


FIG. 3

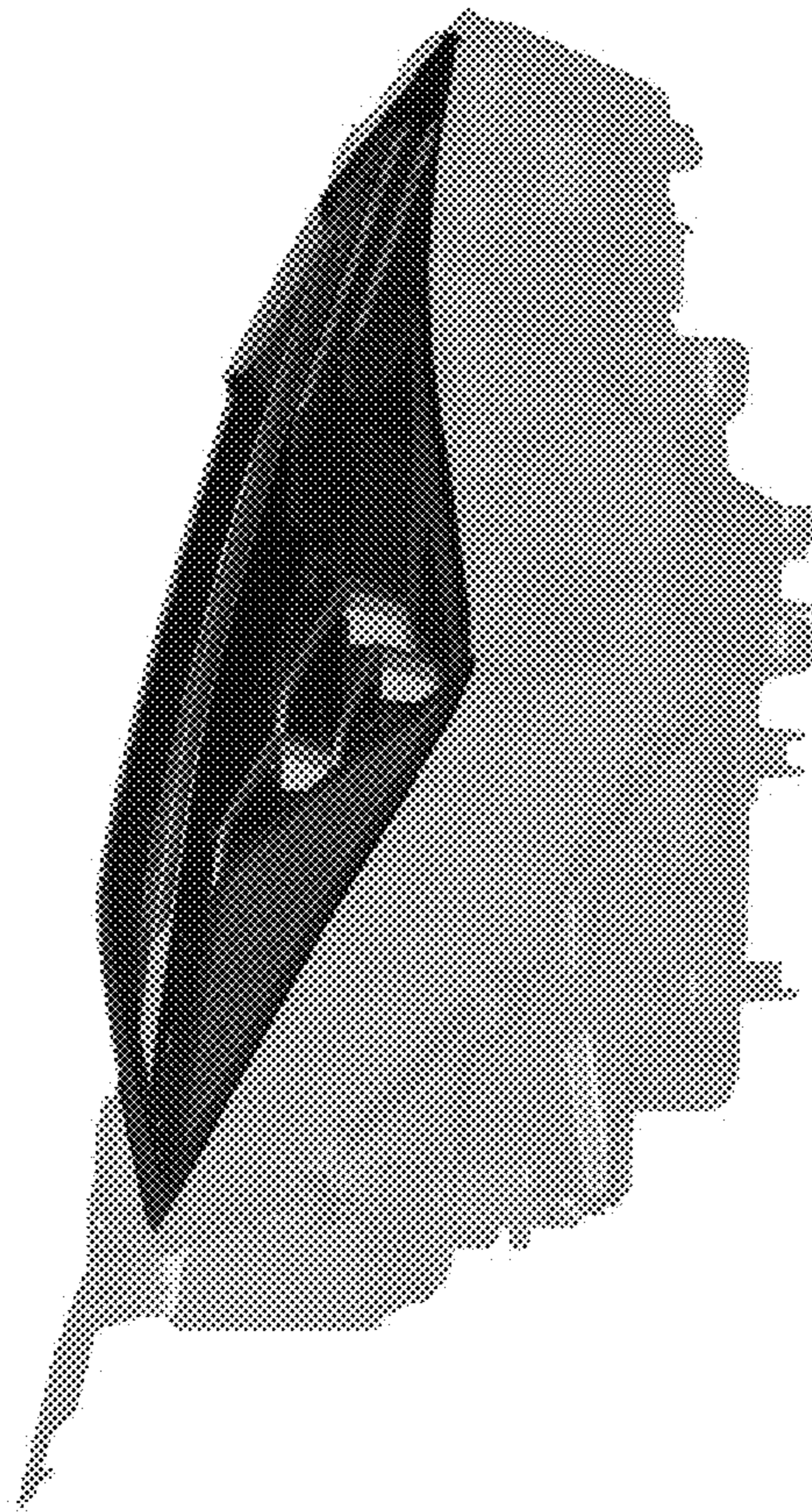


FIG. 4

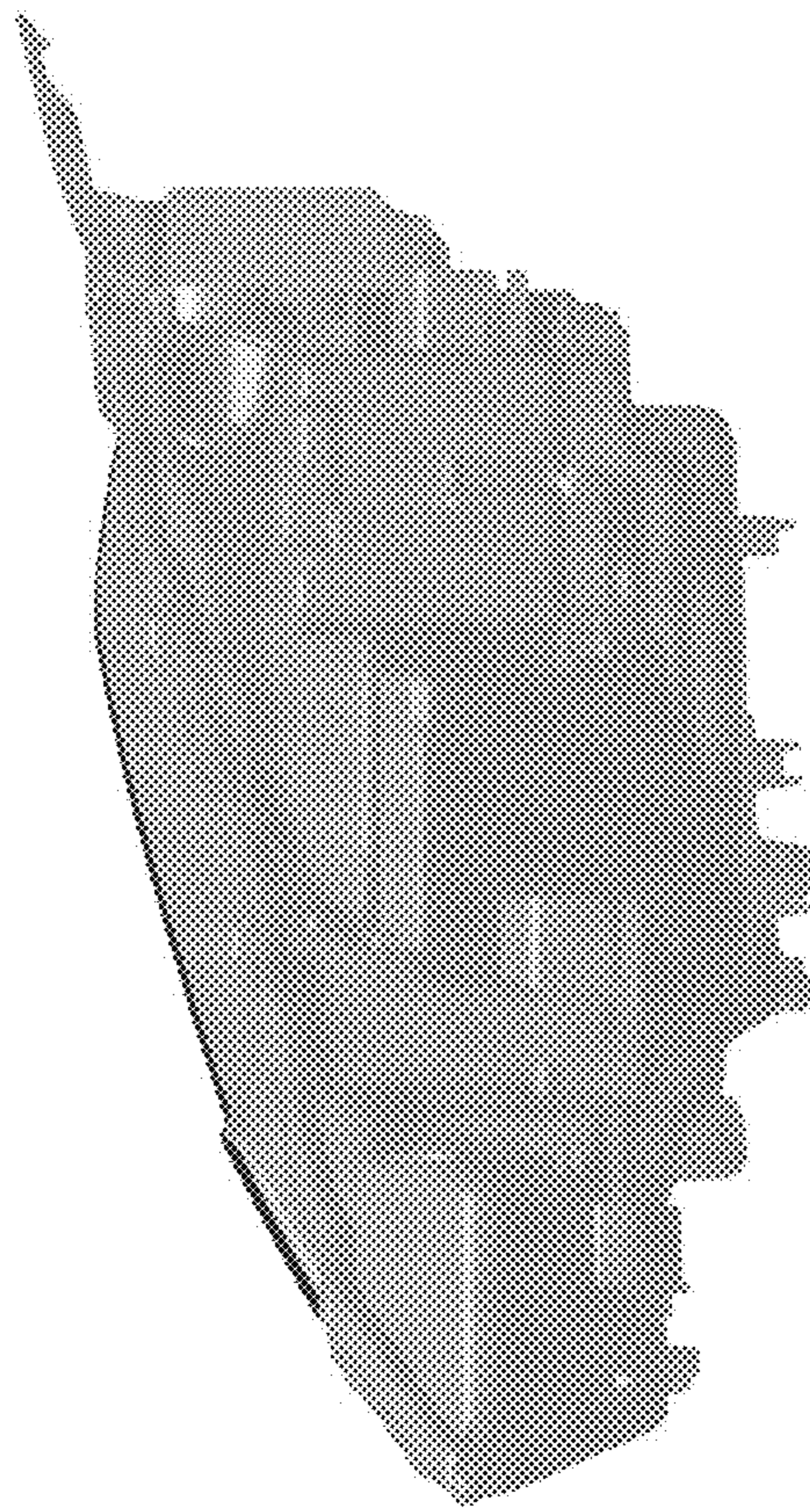


FIG. 5

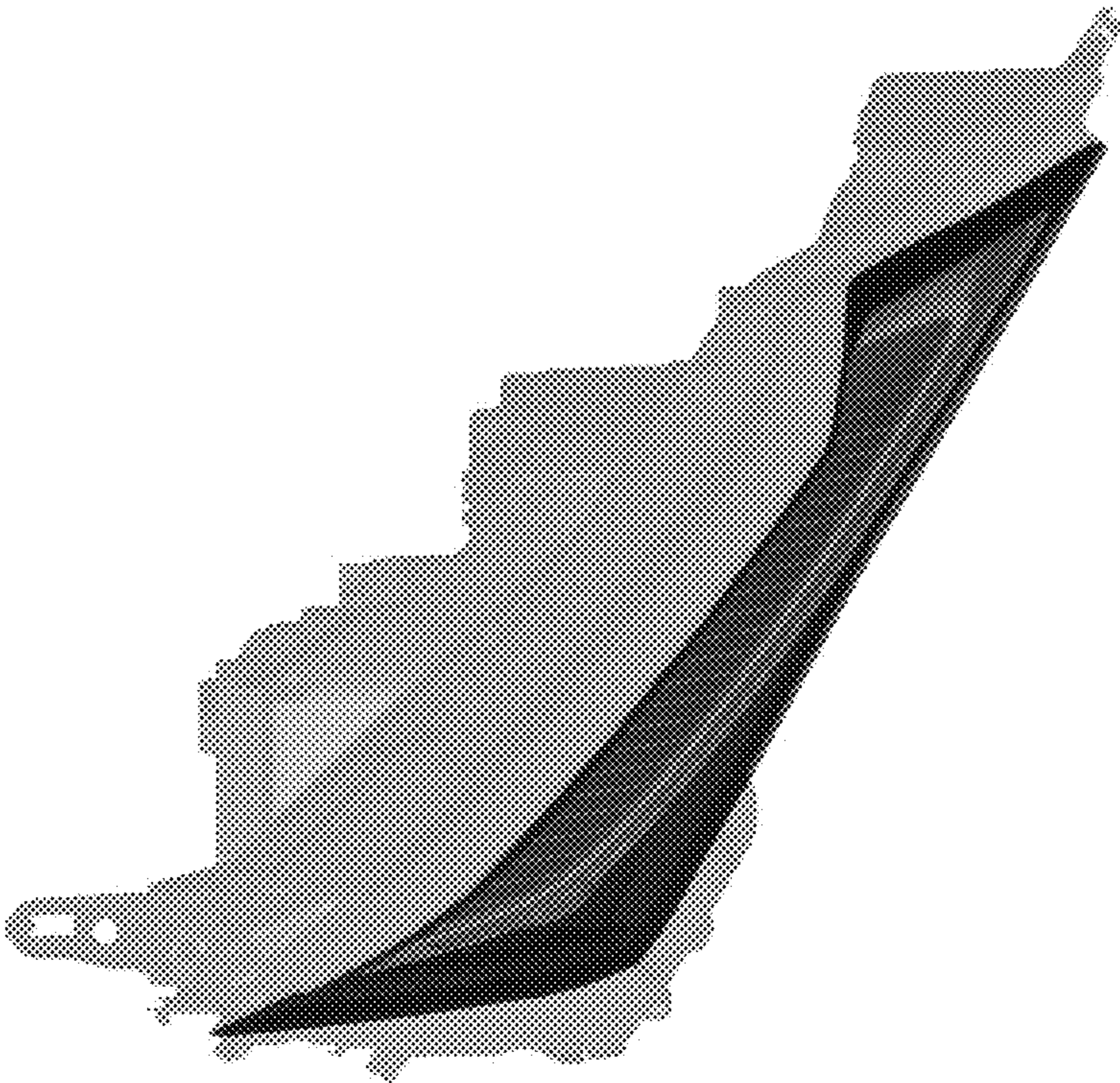


FIG. 6

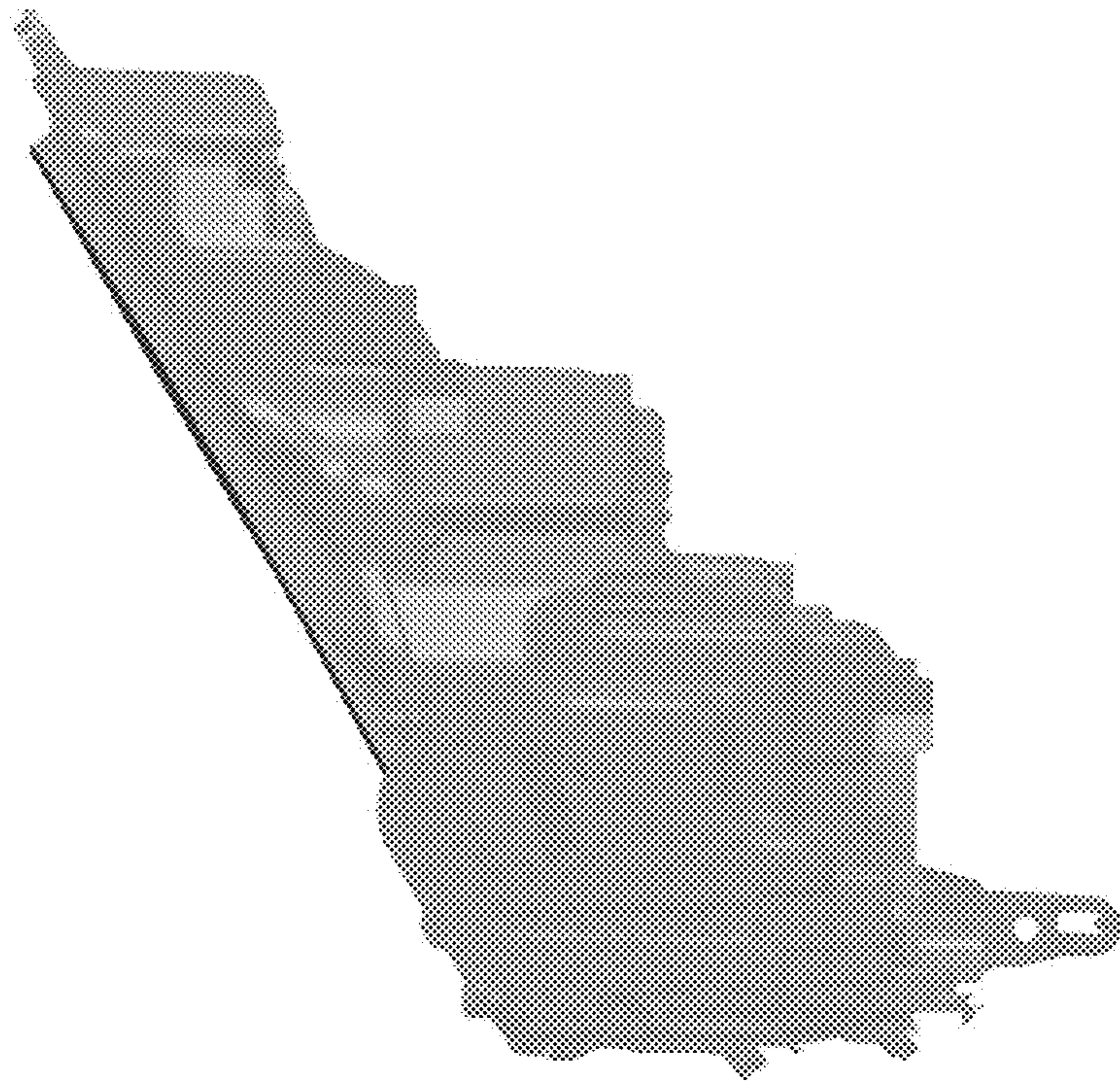


FIG. 7

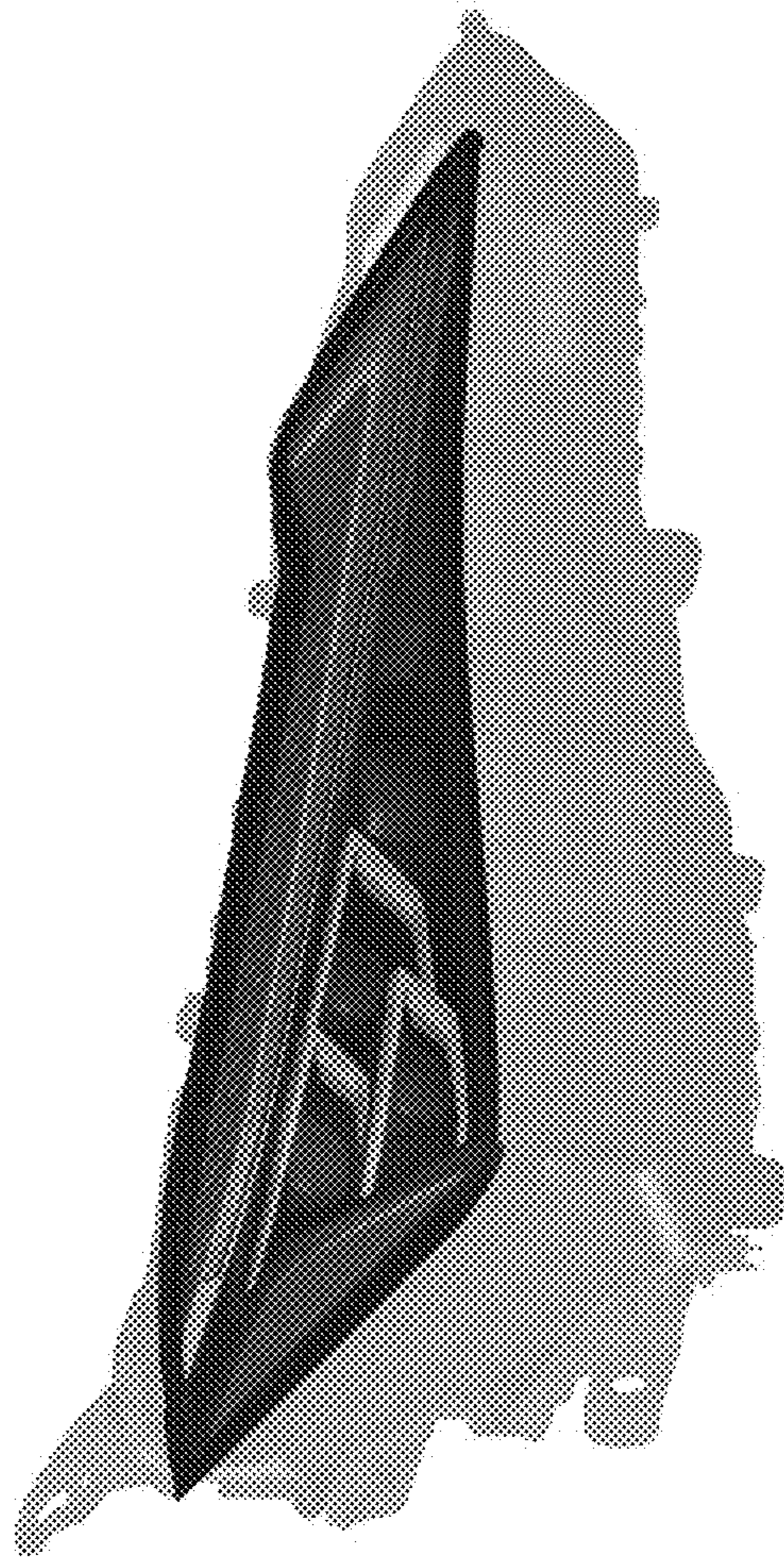


FIG. 8

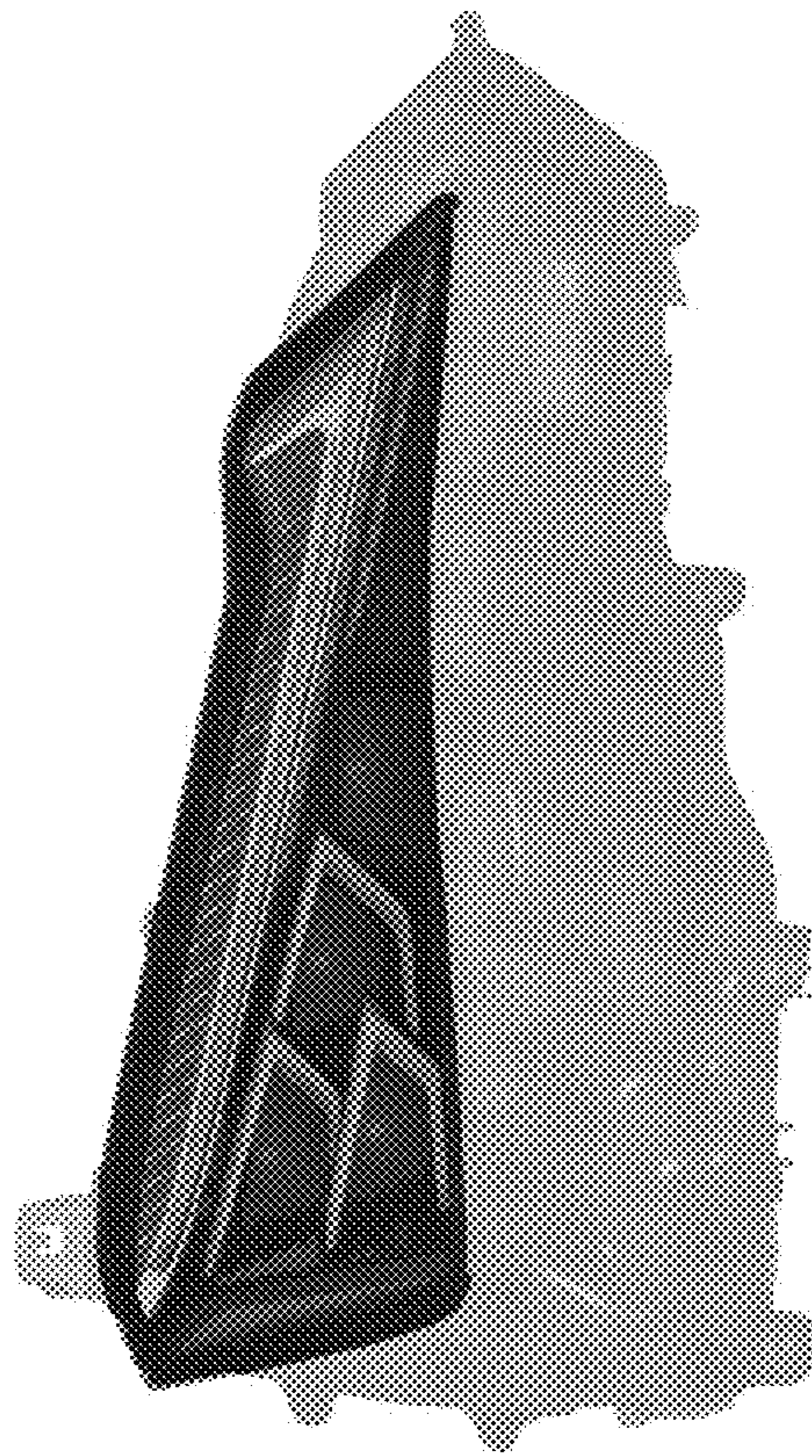


FIG. 9

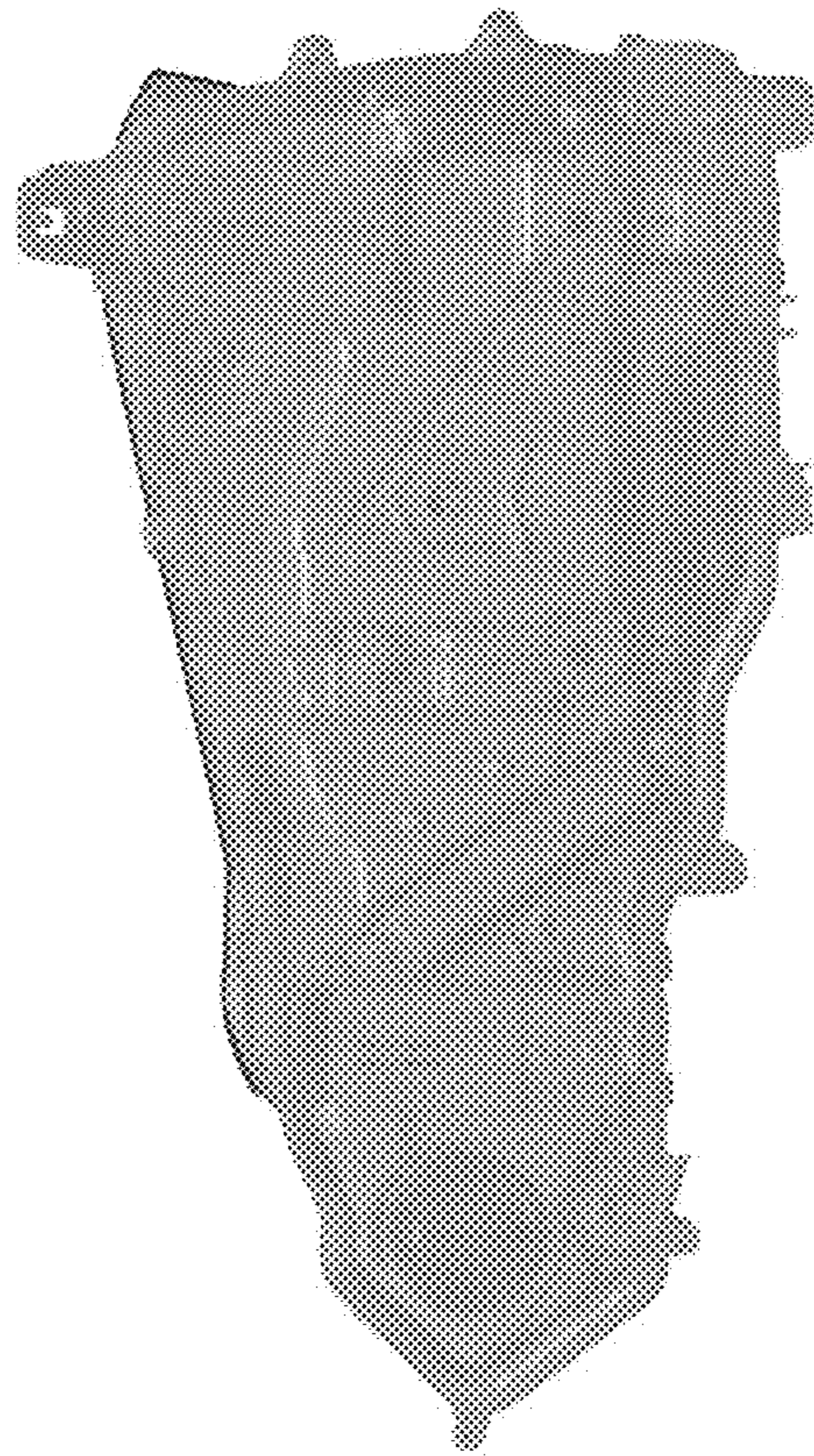


FIG. 10

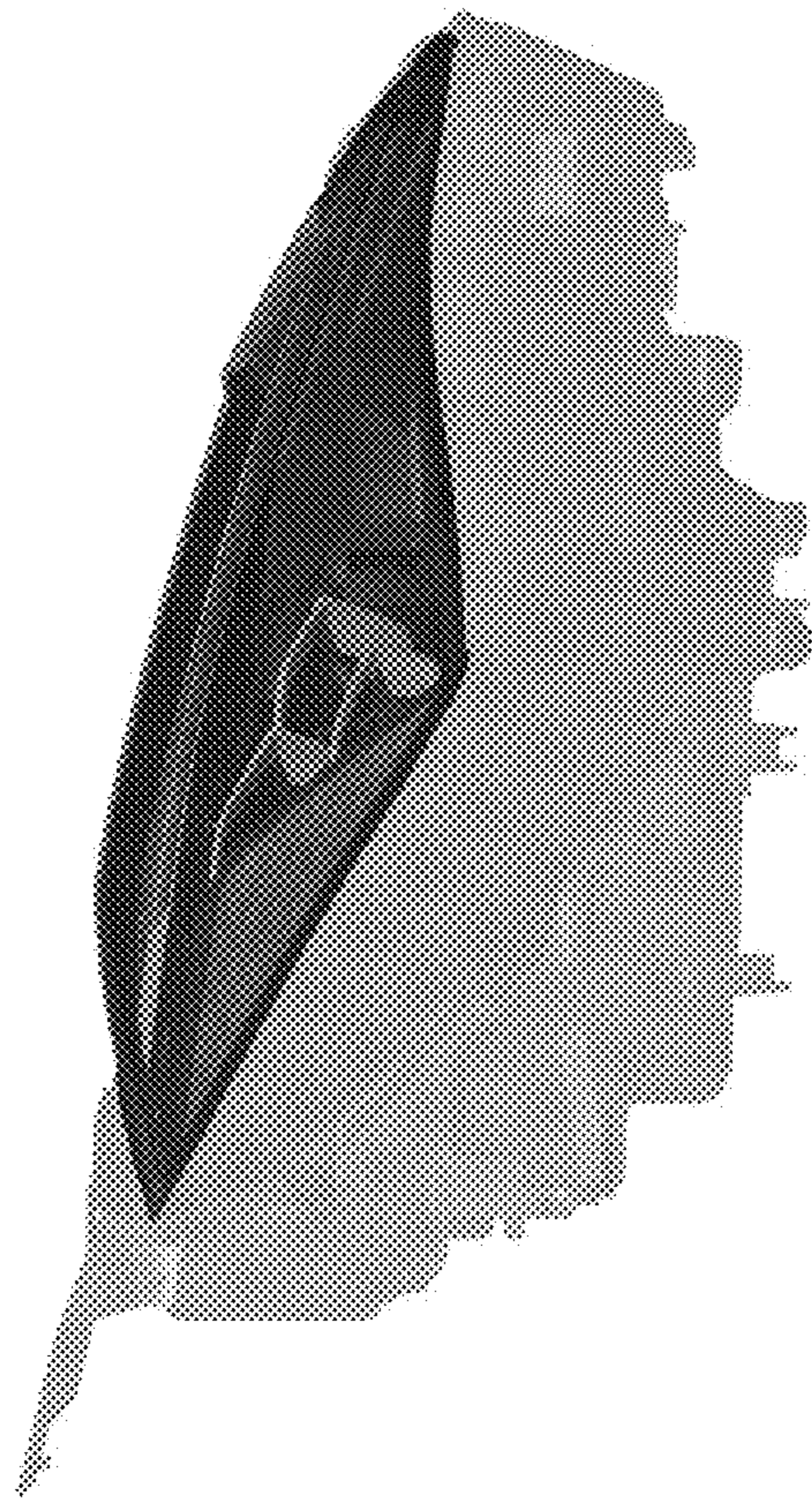


FIG. 11

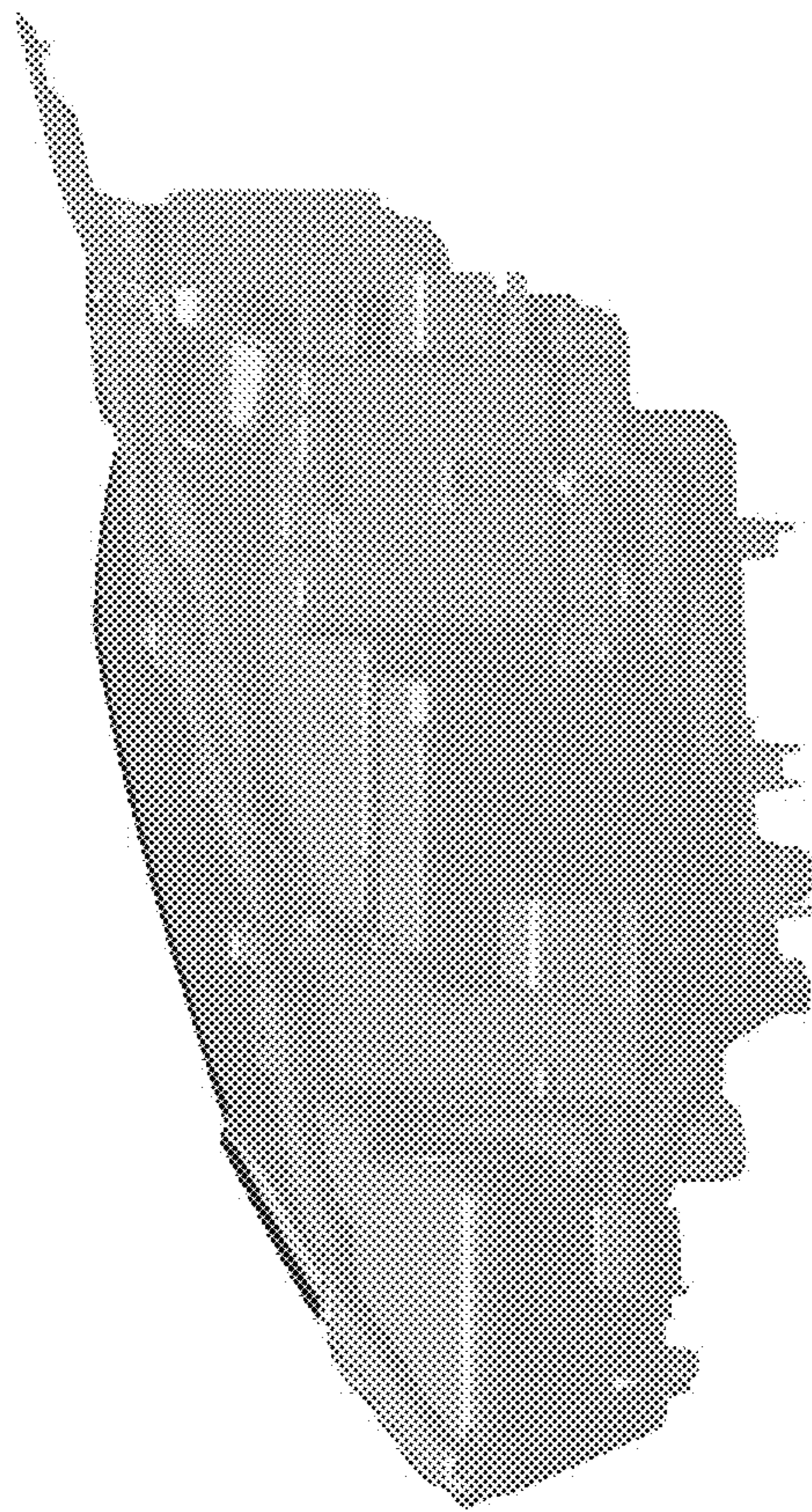


FIG. 12

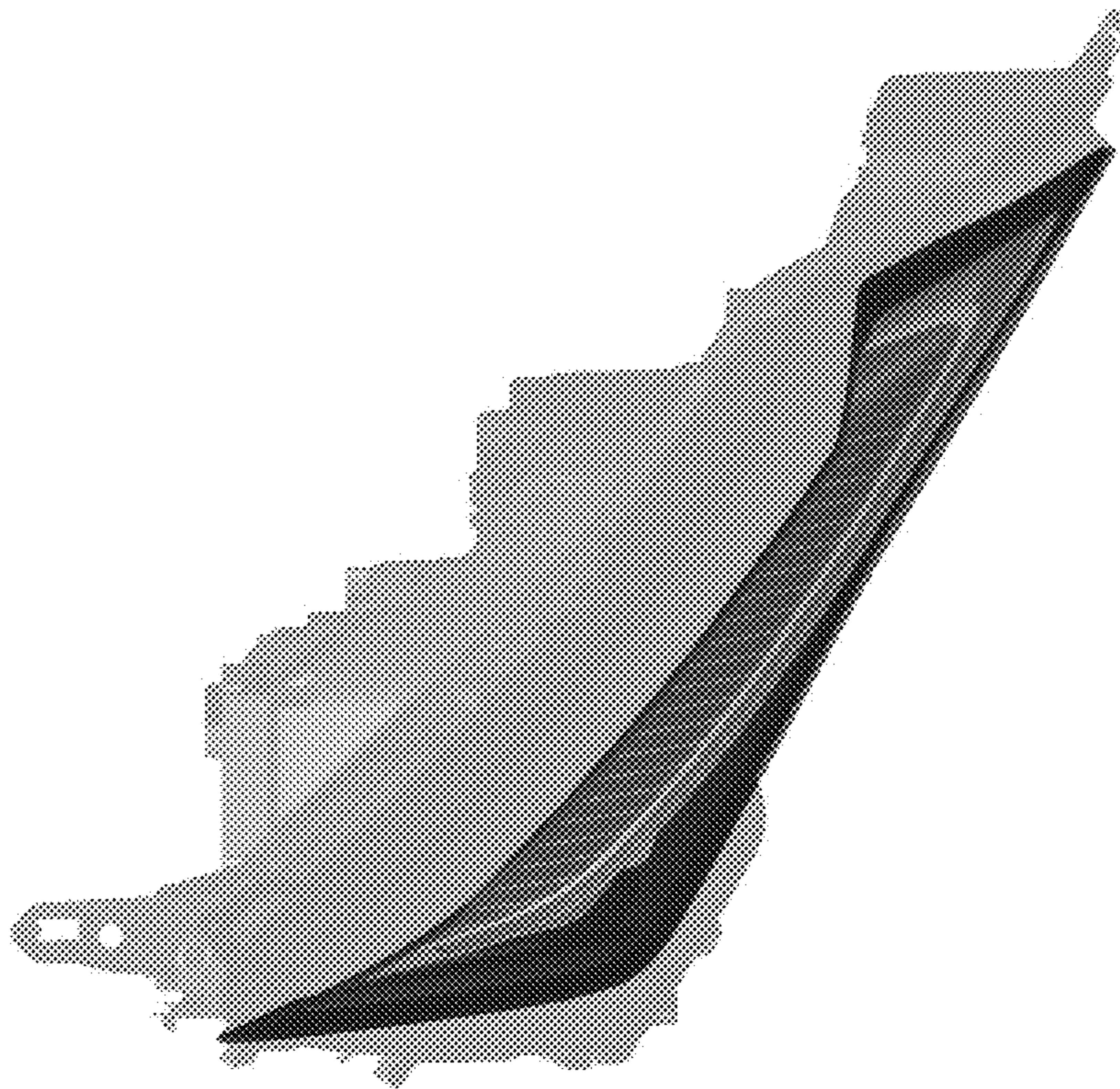


FIG. 13

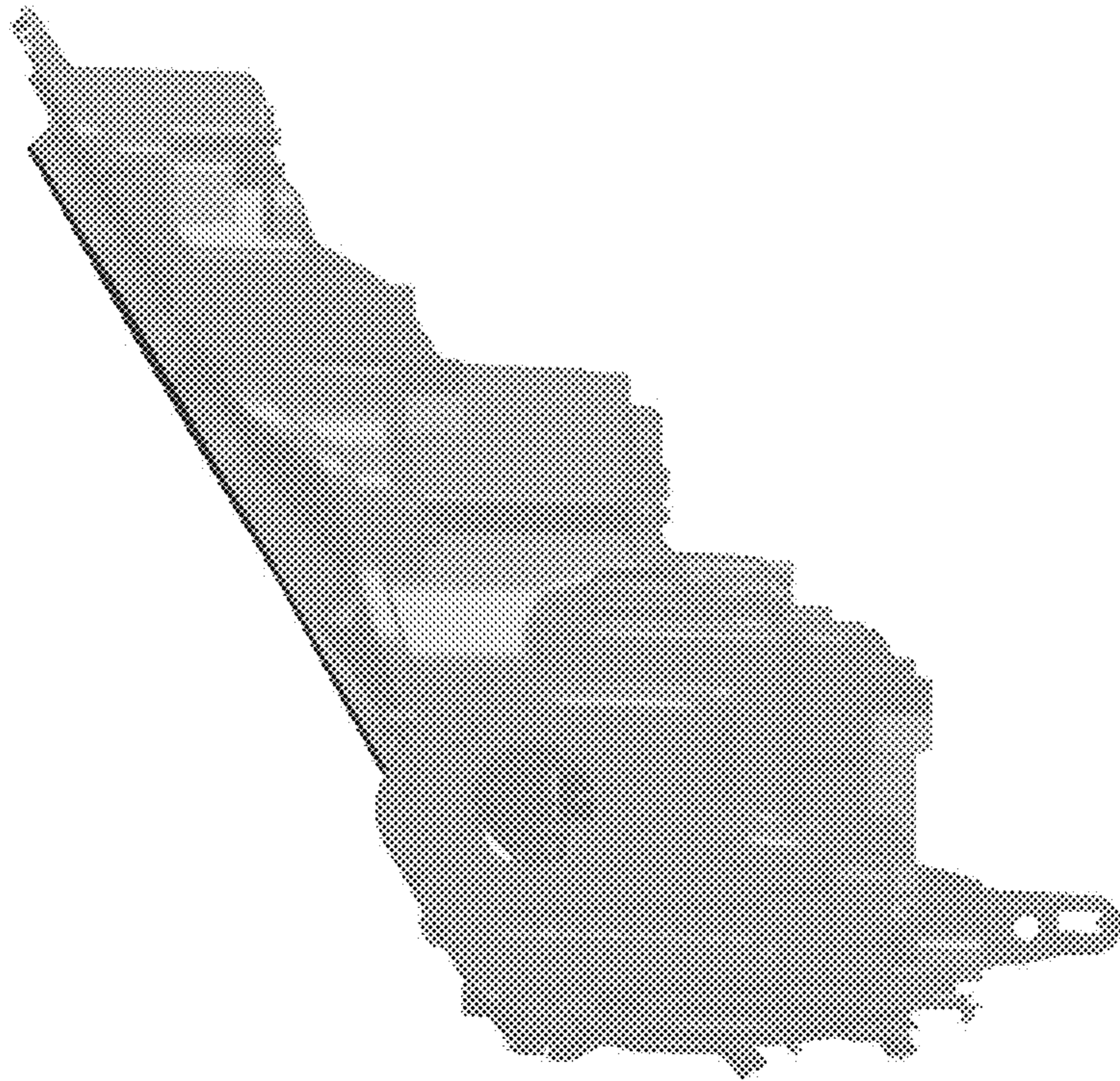


FIG. 14