



US00D868307S

(12) **United States Design Patent** (10) **Patent No.:** **US D868,307 S**  
**Bucher et al.** (45) **Date of Patent:** **\*\* Nov. 26, 2019**

(54) **VEHICLE TAIL LAMP**

**DESCRIPTION**

(71) Applicant: **Ford Global Technologies, LLC**,  
Dearborn, MI (US)  
(72) Inventors: **George Bucher**, Dearborn, MI (US);  
**Craig S. Metros**, Bloomfield, MI (US);  
**Dean Carbis**, Bloomfield Hills, MI  
(US); **Steven Gilmore**, Farmington  
Hills, MI (US); **Shawn Sung Yu**,  
Canton, MI (US)  
(73) Assignee: **Ford Global Technologies, LLC**,  
Dearborn, MI (US)  
(\*\*) Term: **15 Years**  
(21) Appl. No.: **29/632,025**  
(22) Filed: **Jan. 4, 2018**  
(51) **LOC (12) Cl.** ..... **26-06**  
(52) **U.S. Cl.**  
USPC ..... **D26/28**  
(58) **Field of Classification Search**  
USPC ..... D26/28-36, 139

FIG. 1 is a front elevational view of a vehicle tail lamp, showing our new design;  
FIG. 2 is a rear elevational view thereof;  
FIG. 3 is a left side elevational view thereof;  
FIG. 4 is a right side elevational view thereof;  
FIG. 5 is a top plan view thereof;  
FIG. 6 is a bottom plan view thereof;  
FIG. 7 is a top, front, and left side perspective view thereof;  
FIG. 8 is a bottom, front, and left side perspective view thereof; and  
FIG. 9 is a top, rear, and left side perspective view thereof.  
FIG. 10 is a front elevational view of a second embodiment of a vehicle tail lamp, showing our new design;  
FIG. 11 is a rear elevational view thereof;  
FIG. 12 is a left side elevational view thereof;  
FIG. 13 is a right side elevational view thereof;  
FIG. 14 is a top plan view thereof;  
FIG. 15 is a bottom plan view thereof;  
FIG. 16 is a top, front, and left side perspective view thereof;  
FIG. 17 is a bottom, front, and left side perspective view thereof; and  
FIG. 18 is a top, rear, and left side perspective view thereof.  
FIG. 19 is a front elevational view of a third embodiment of a vehicle tail lamp, showing our new design;  
FIG. 20 is a rear elevational view thereof;  
FIG. 21 is a left side elevational view thereof;  
FIG. 22 is a right side elevational view thereof;  
FIG. 23 is a top plan view thereof;  
FIG. 24 is a bottom plan view thereof;  
FIG. 25 is a top, front, and left side perspective view thereof;  
FIG. 26 is a bottom, front, and left side perspective view thereof; and  
FIG. 27 is a top, rear, and left side perspective view thereof.

(56) **References Cited**

**U.S. PATENT DOCUMENTS**

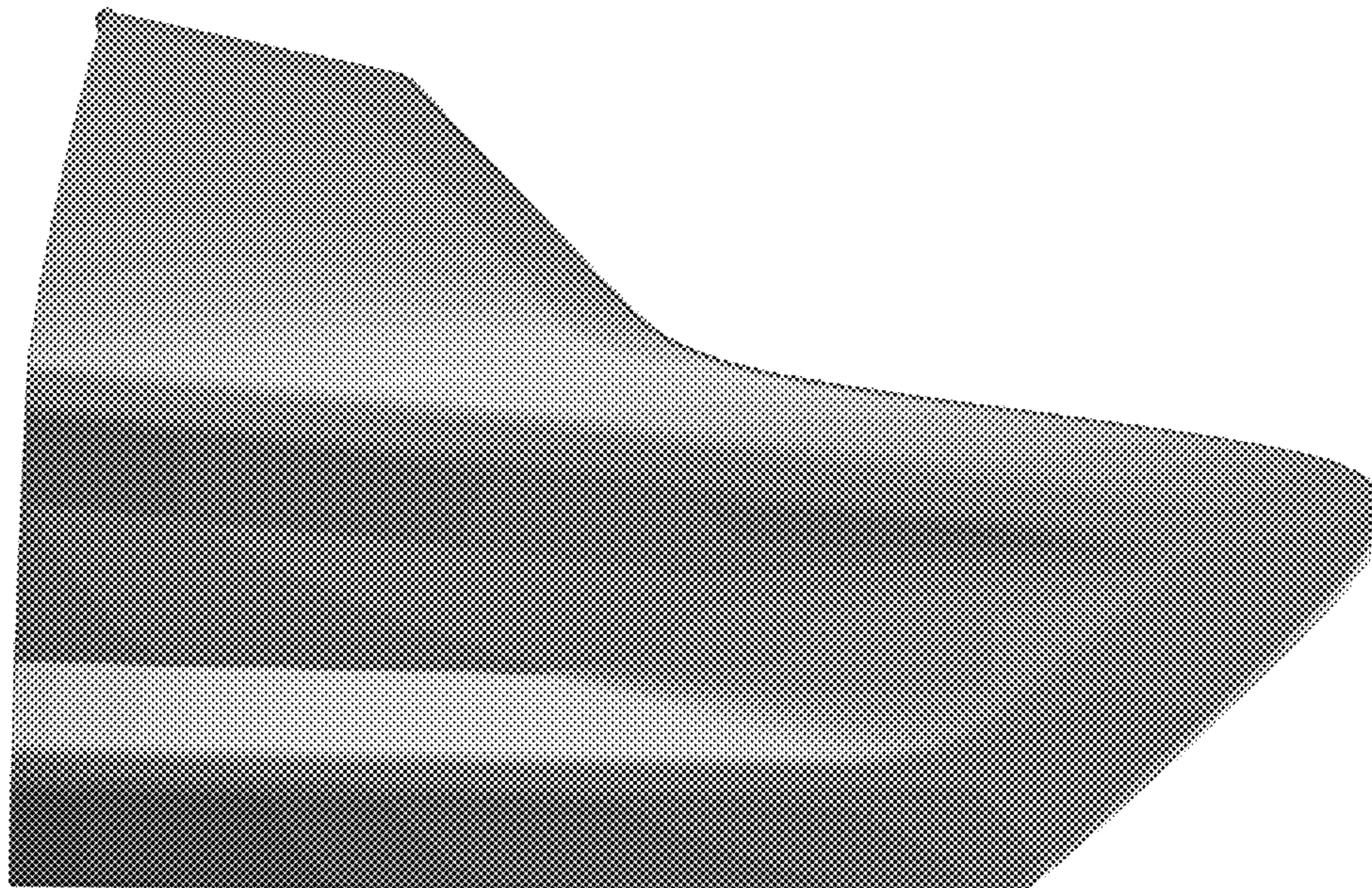
D686,358 S \* 7/2013 Morgenstern ..... D26/28  
D716,478 S \* 10/2014 Loeb ..... D26/28  
(Continued)

*Primary Examiner* — Marcus A Jackson  
(74) *Attorney, Agent, or Firm* — Vichit Chea

(57) **CLAIM**

The ornamental design for a vehicle tail lamp, as shown and described.

**1 Claim, 27 Drawing Sheets**



(58) **Field of Classification Search**

CPC ..... F21S 48/00; F21S 48/10; F21S 48/115;  
F21S 48/225; F21S 48/1233; F21S  
48/1266; F21S 48/1388; F21S 48/2268;  
F21V 21/04; B60Q 9/13; B60Q 9/135;  
B60Q 9/1375

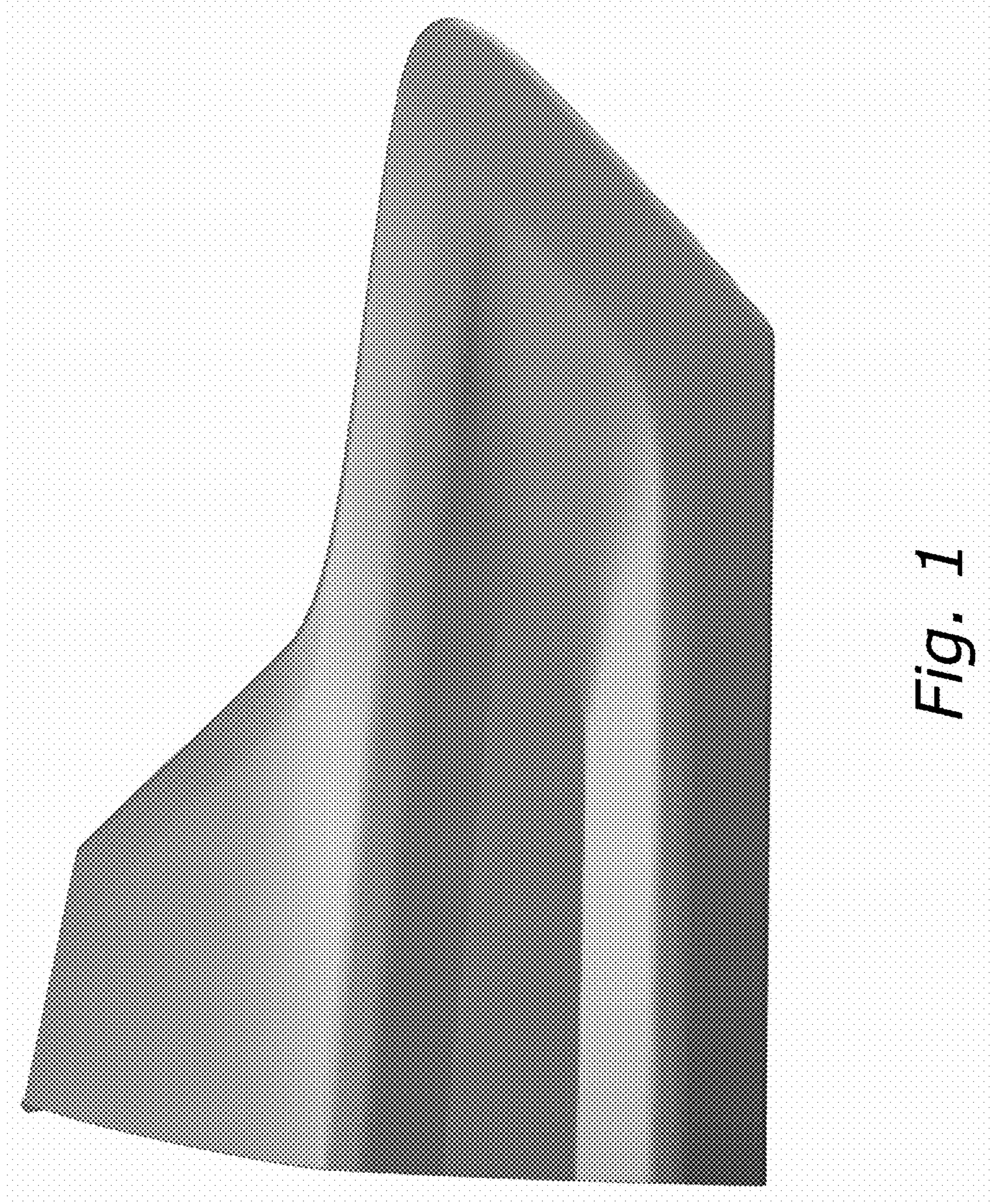
See application file for complete search history.

(56) **References Cited**

U.S. PATENT DOCUMENTS

D737,480 S *	8/2015	Park .....	D26/28
D739,583 S *	9/2015	Forsgren .....	D26/28
D743,063 S *	11/2015	Park .....	D26/28
D768,894 S *	10/2016	Faghihzadeh .....	D26/28
D769,485 S *	10/2016	Morikawa .....	D26/28

\* cited by examiner



*Fig. 1*



Fig. 2

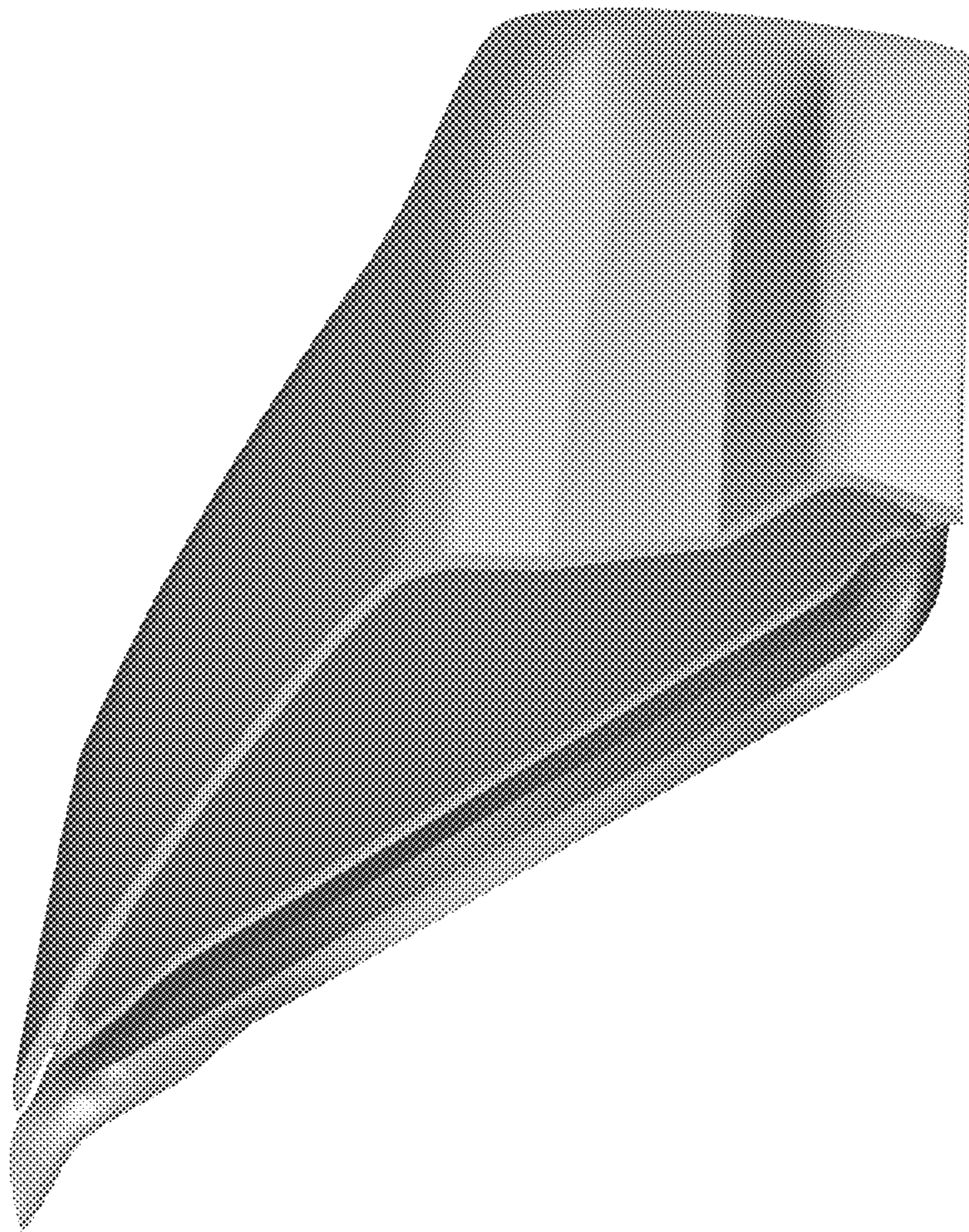


Fig. 3

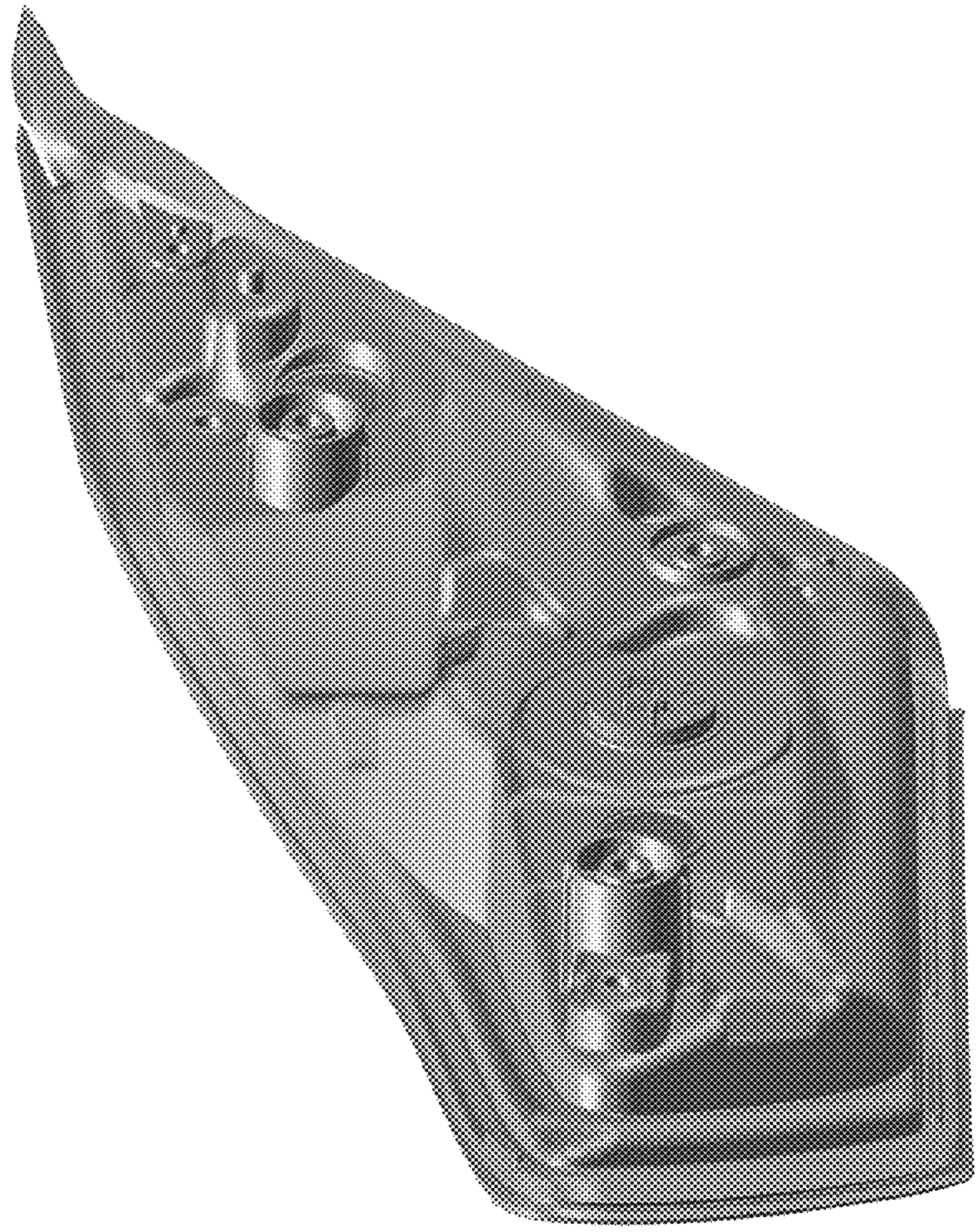


Fig. 4

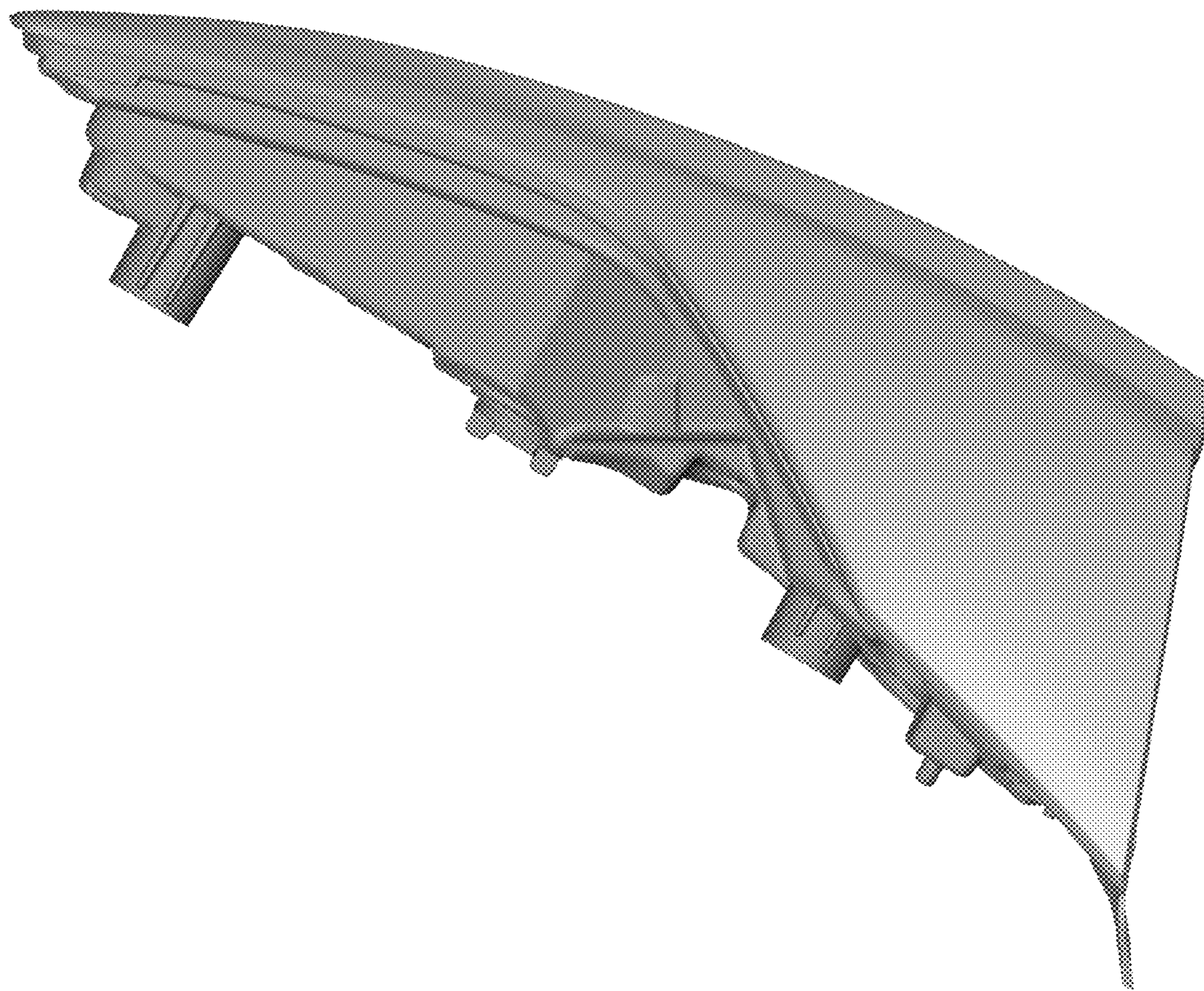


Fig. 5

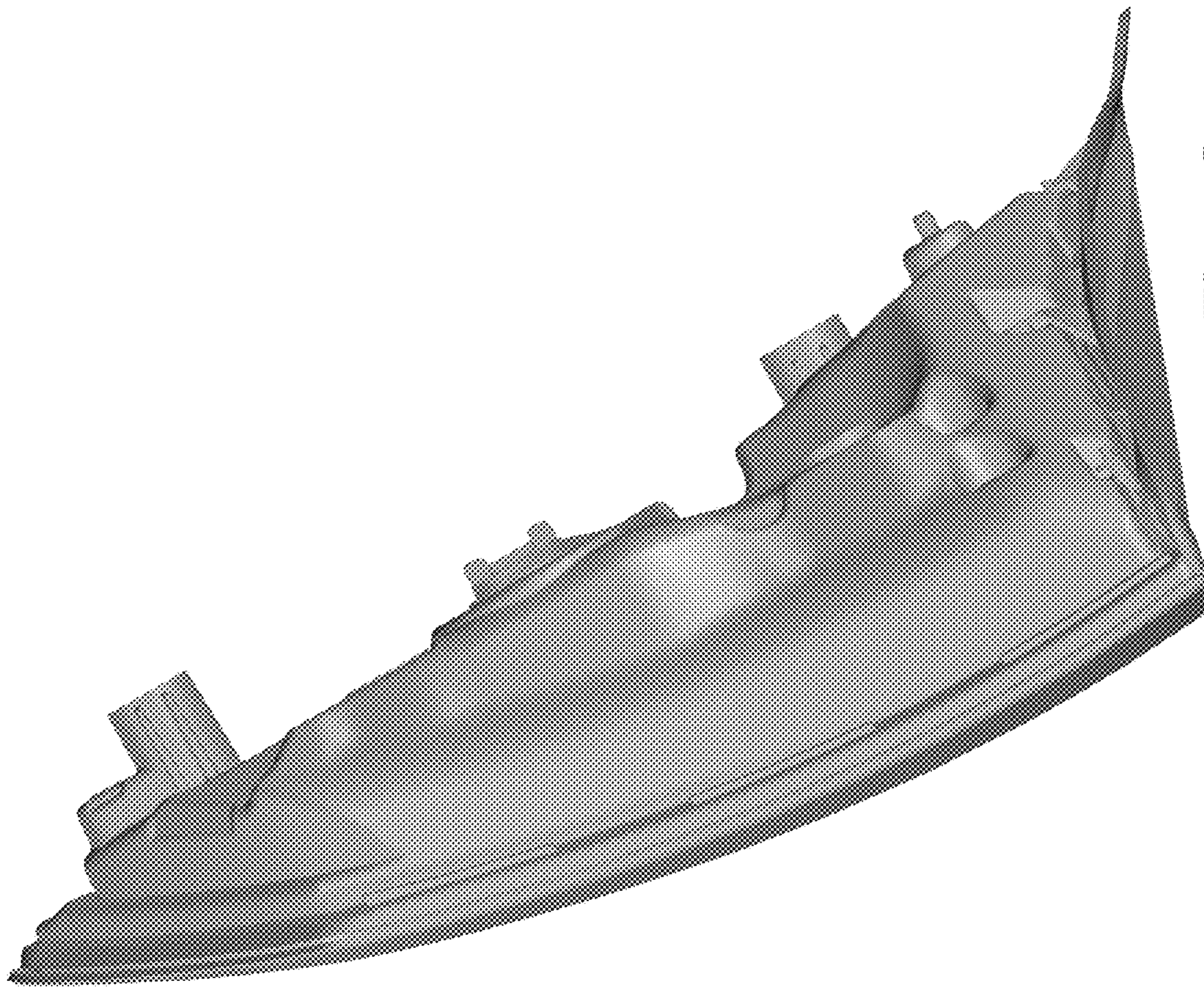
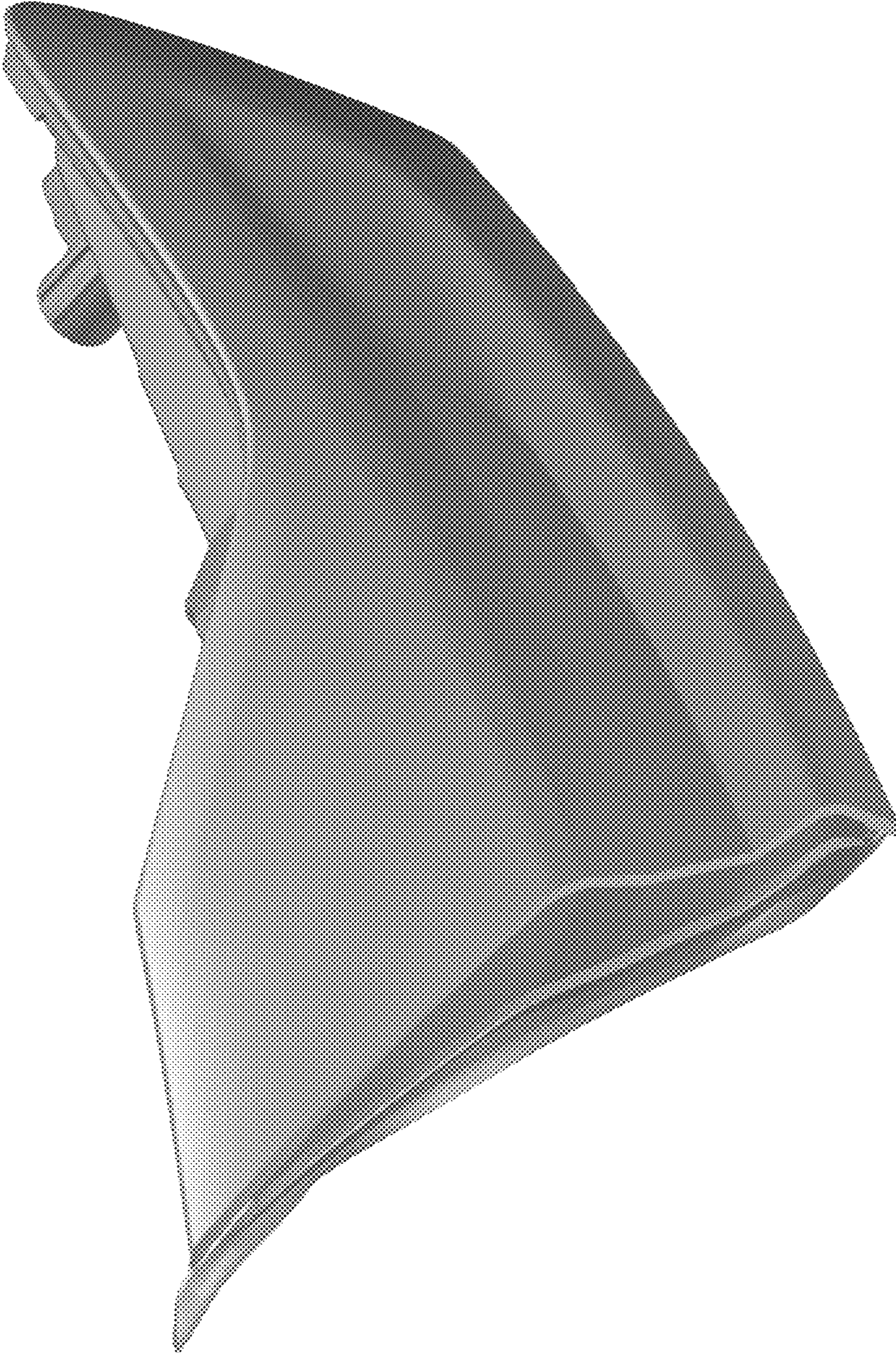


Fig. 6



Fig. 7



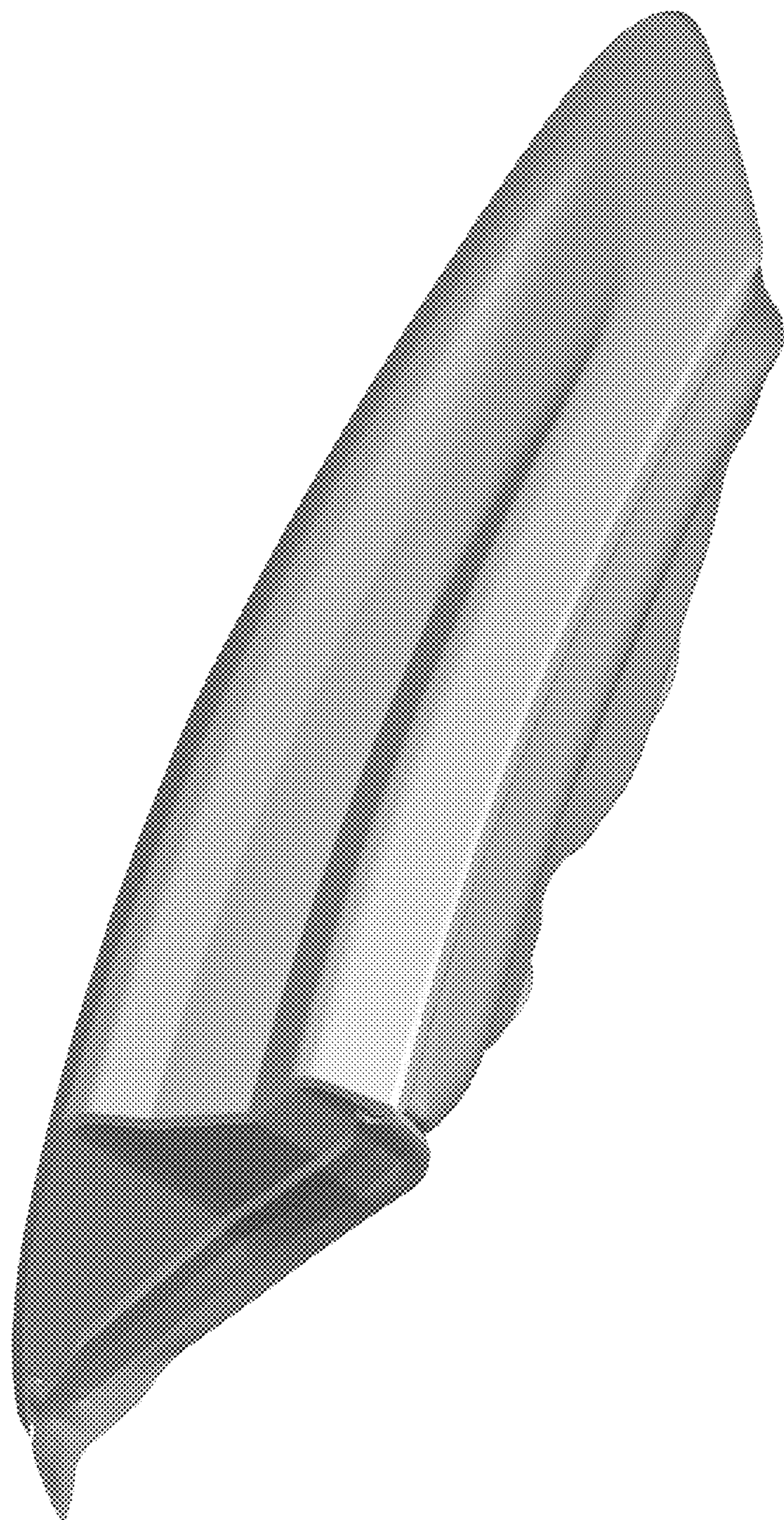
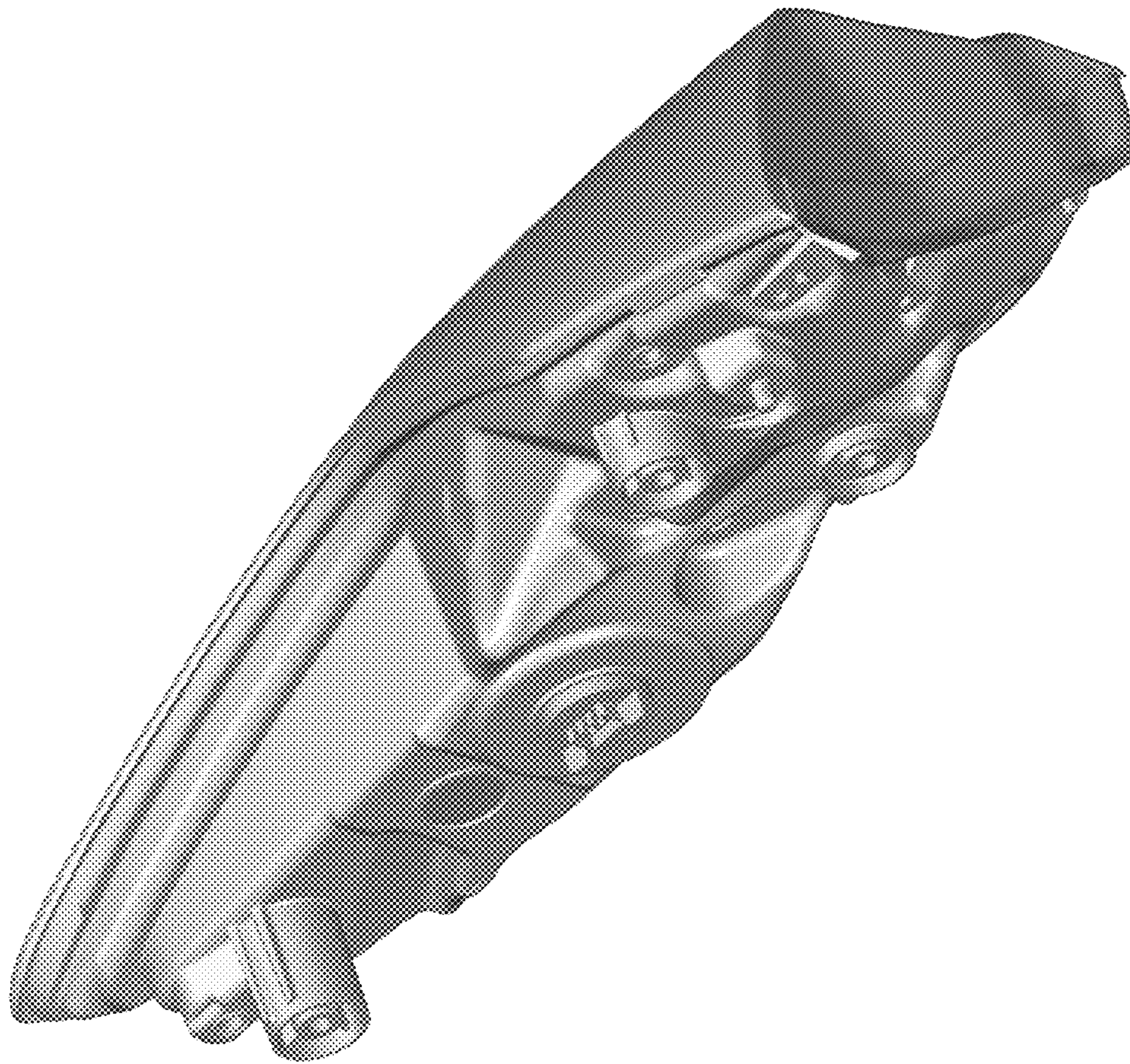
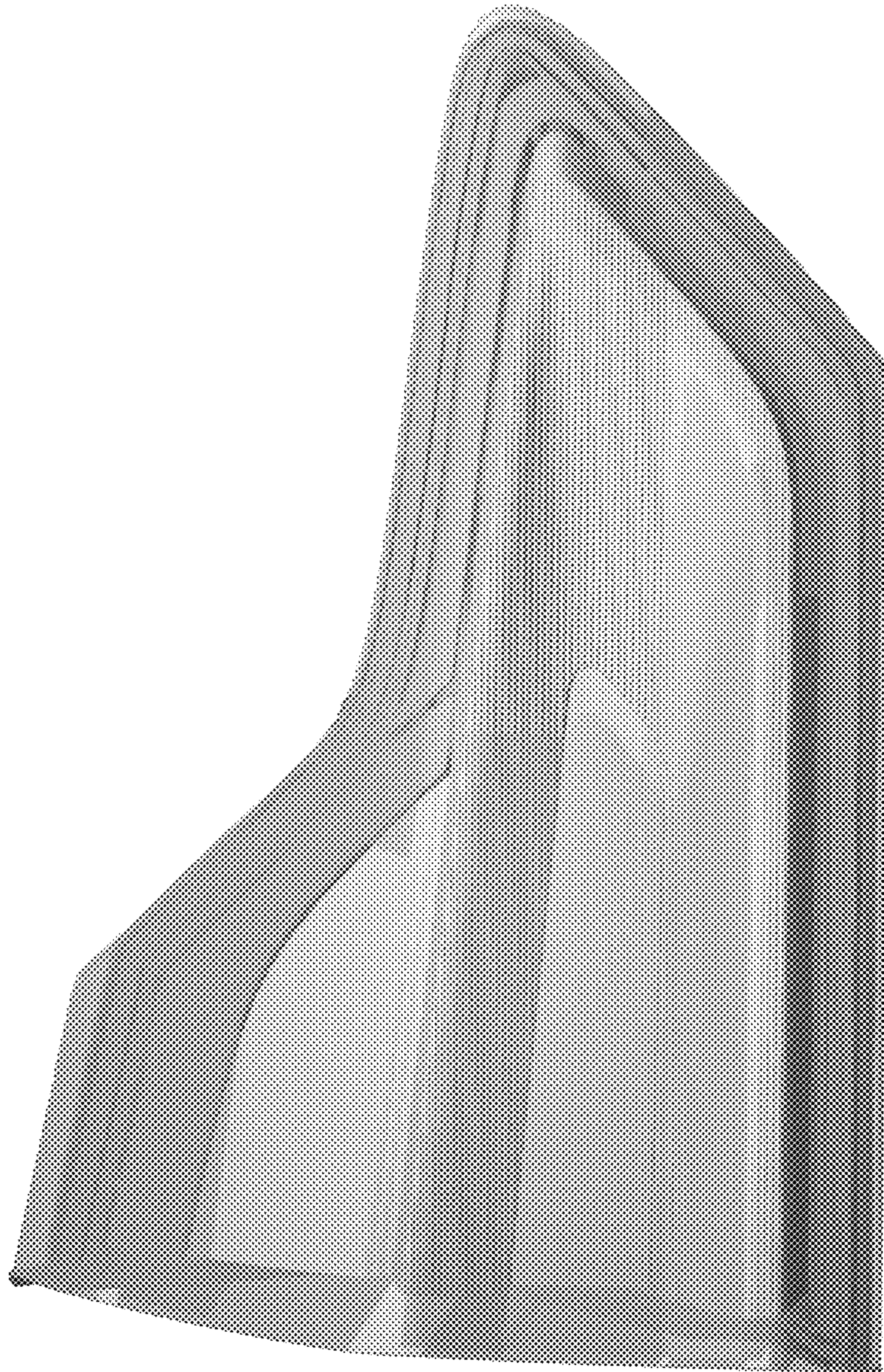


Fig. 8

Fig. 9





*Fig. 10*



*Fig. 11*



Fig. 12

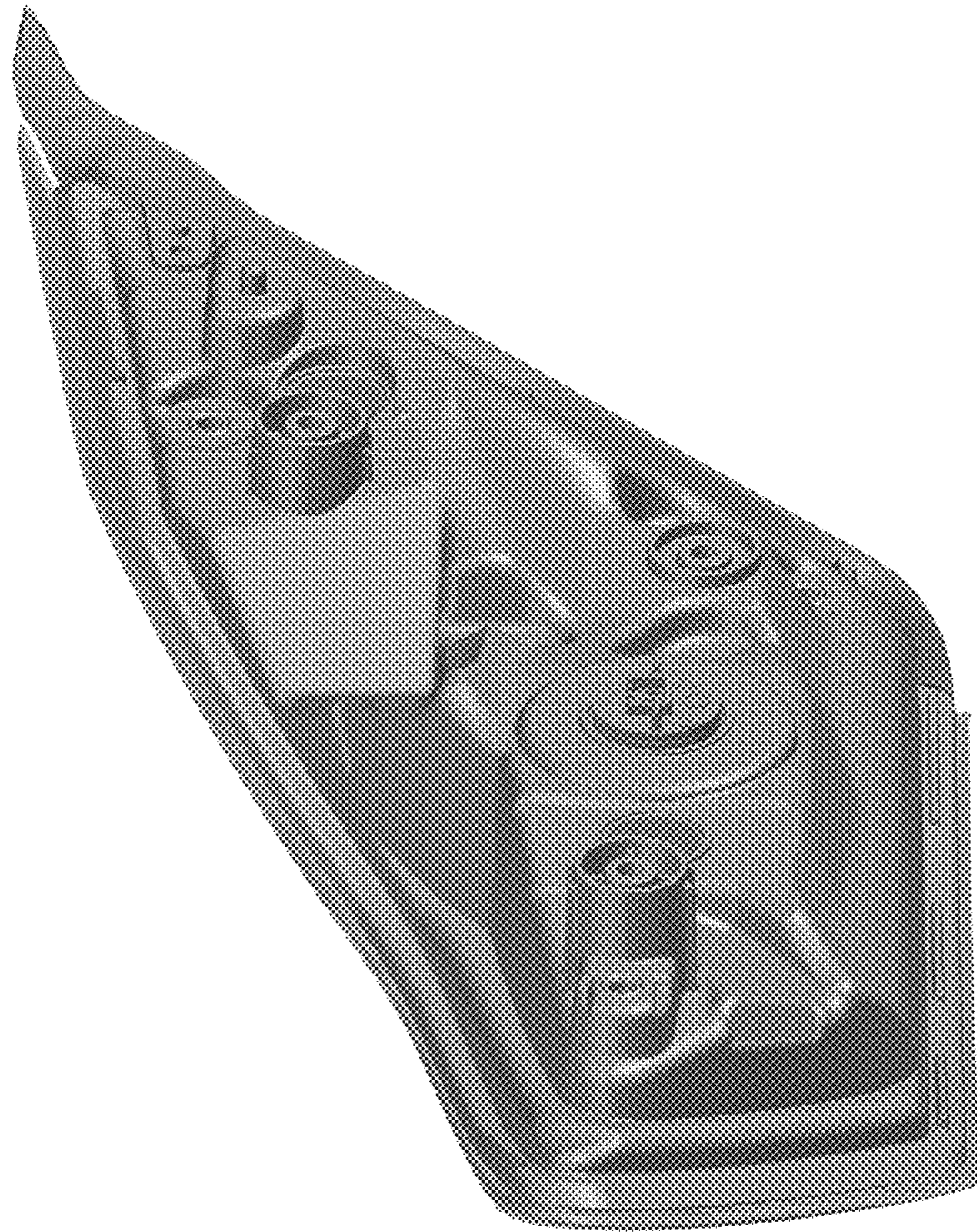


Fig. 13

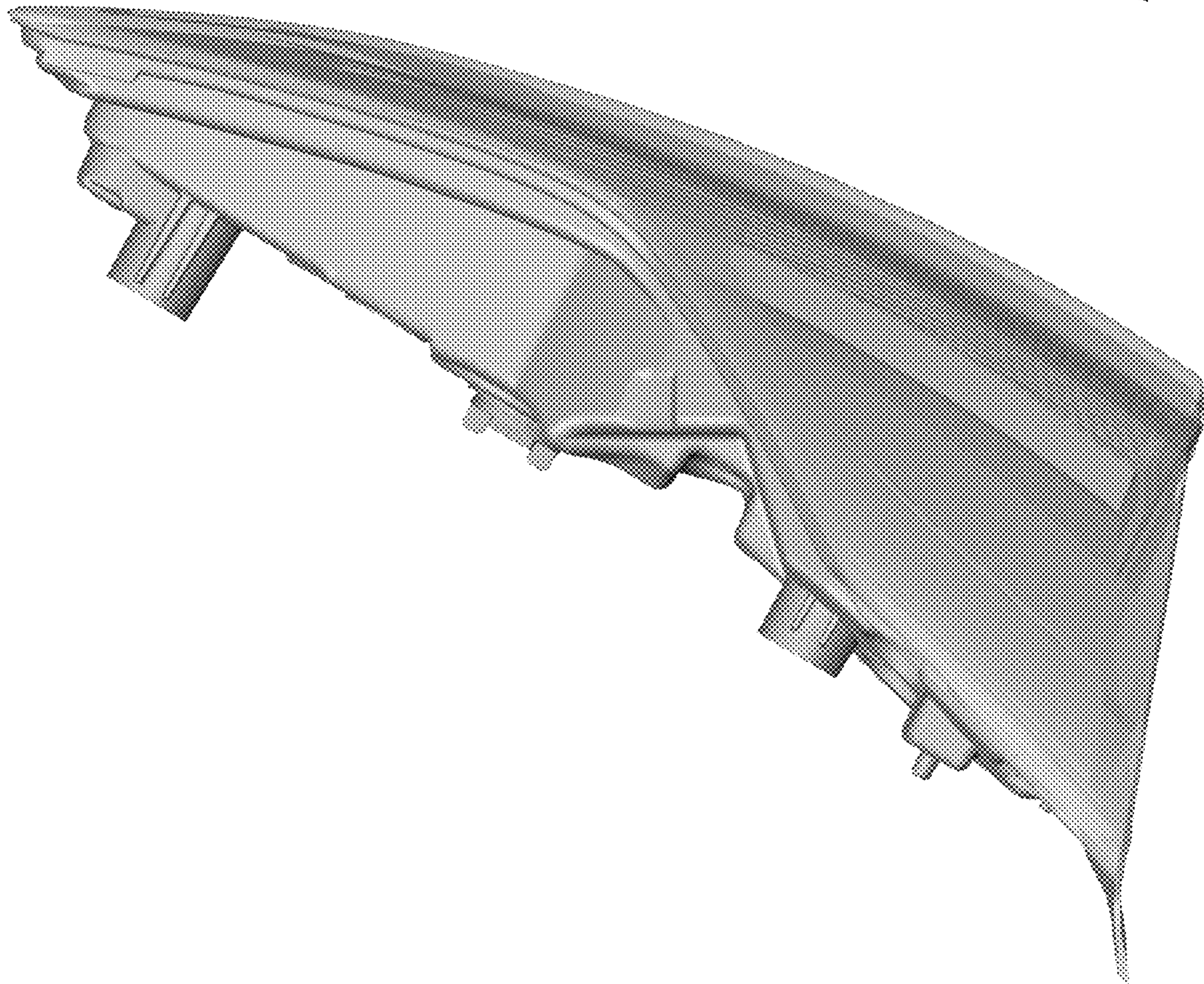


Fig. 14



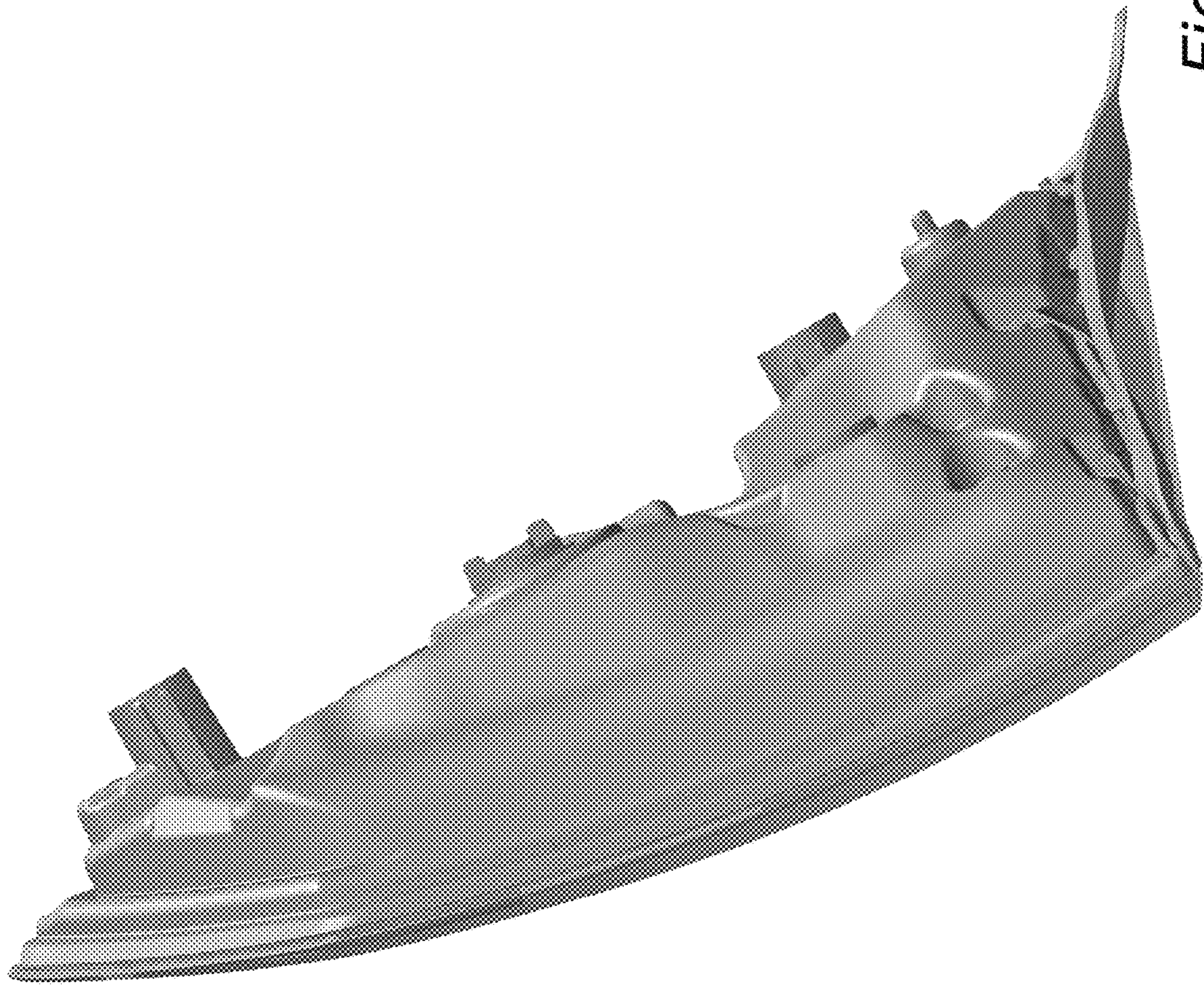


Fig. 15

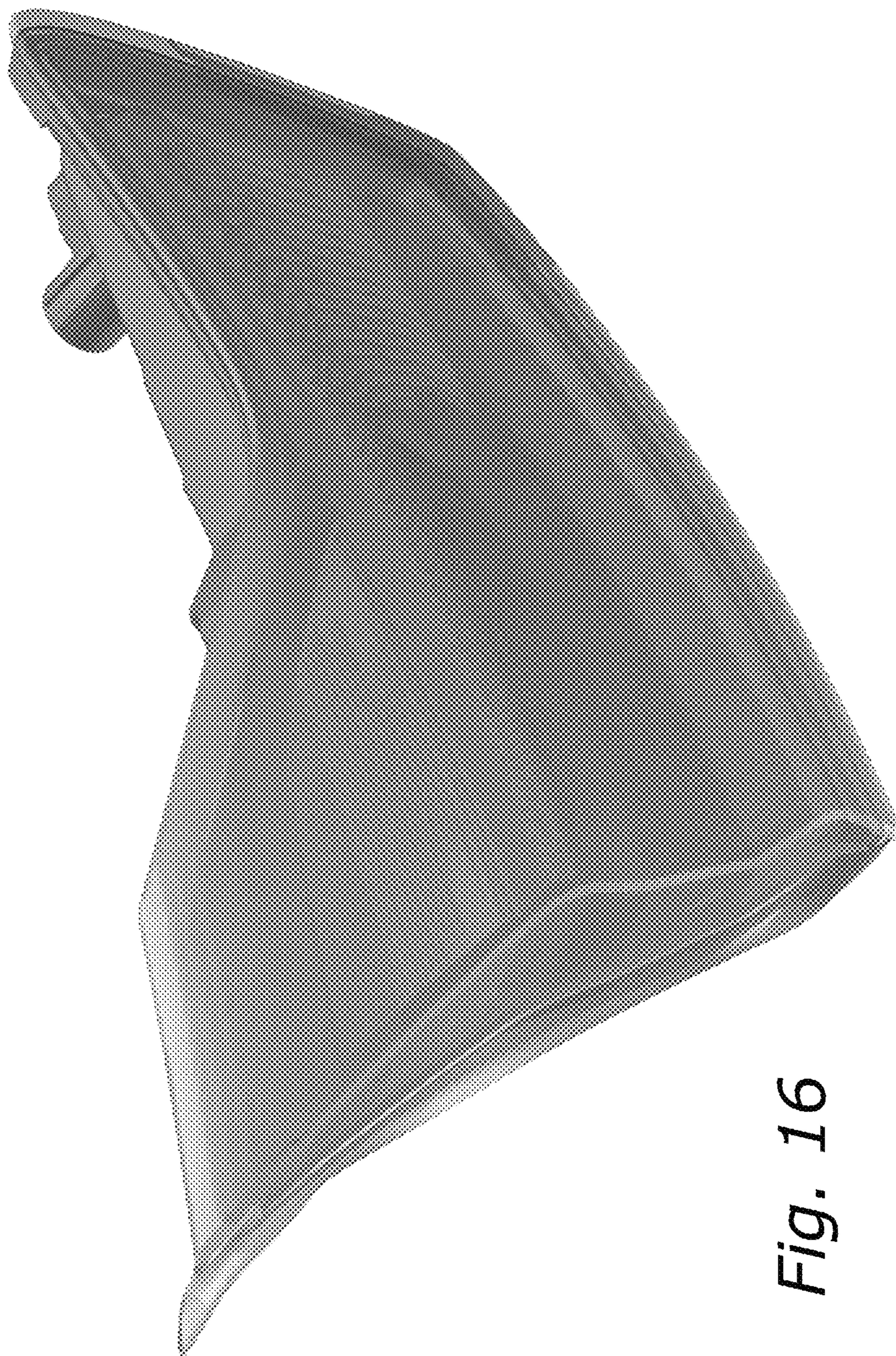


Fig. 16

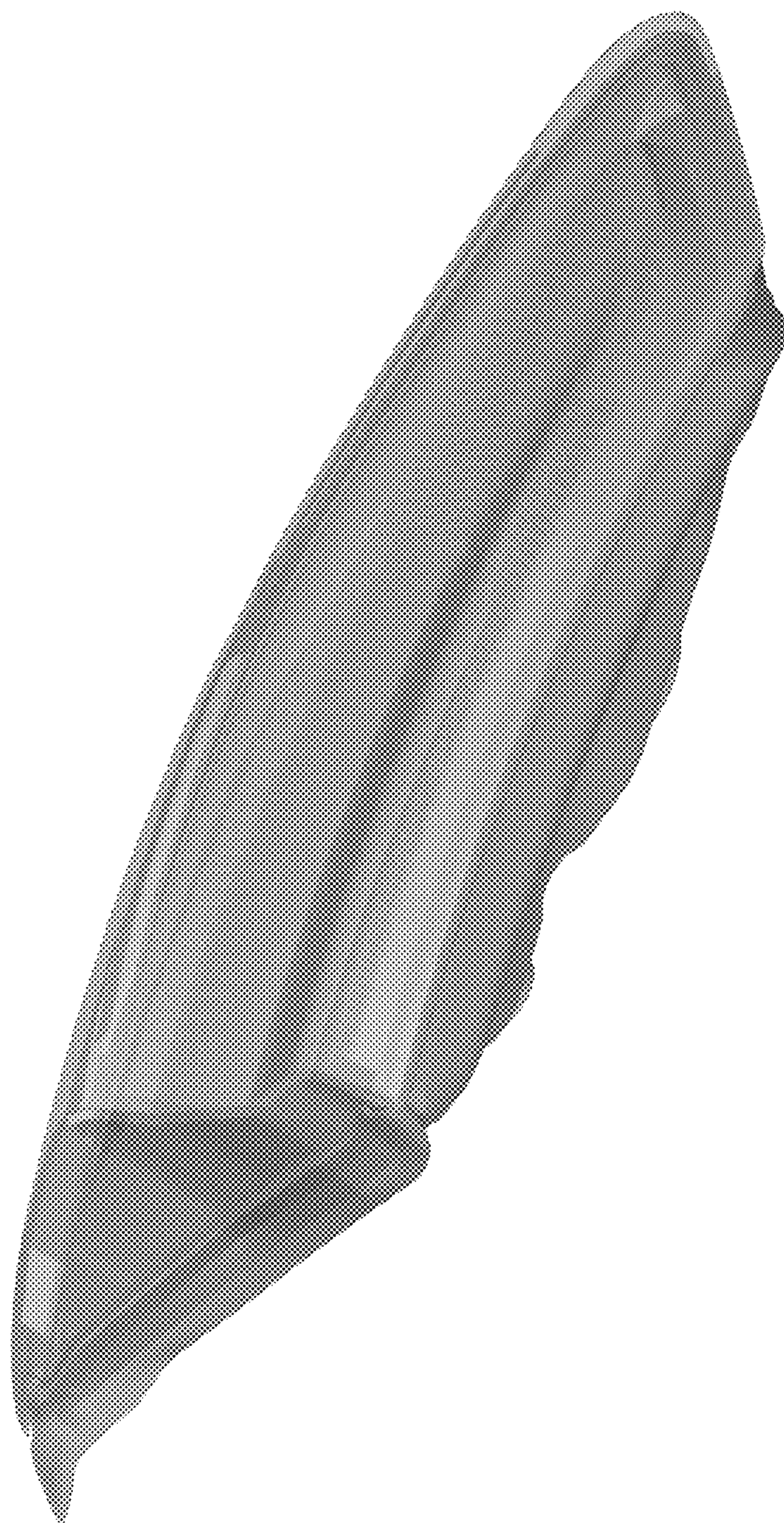


Fig. 17

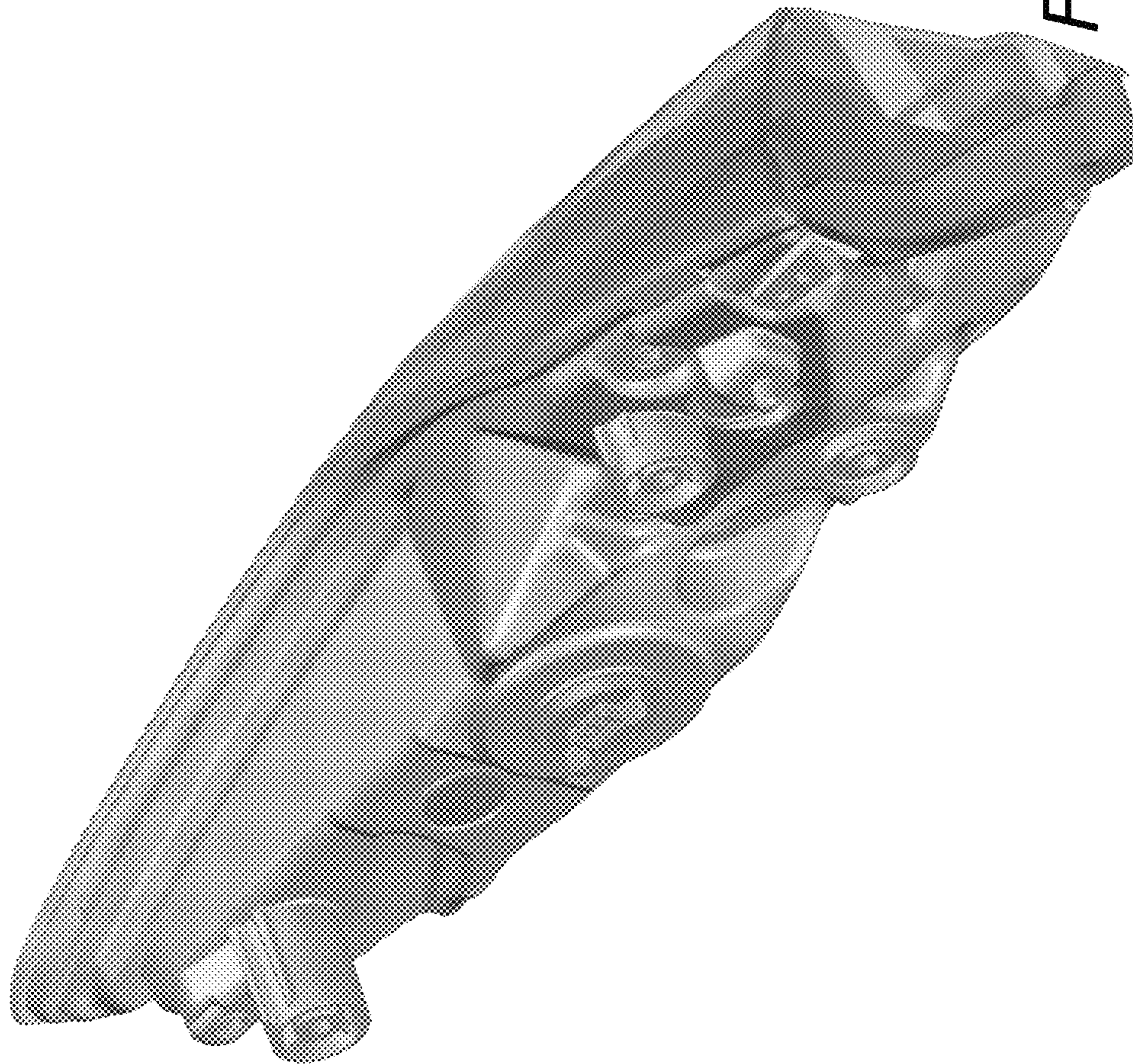
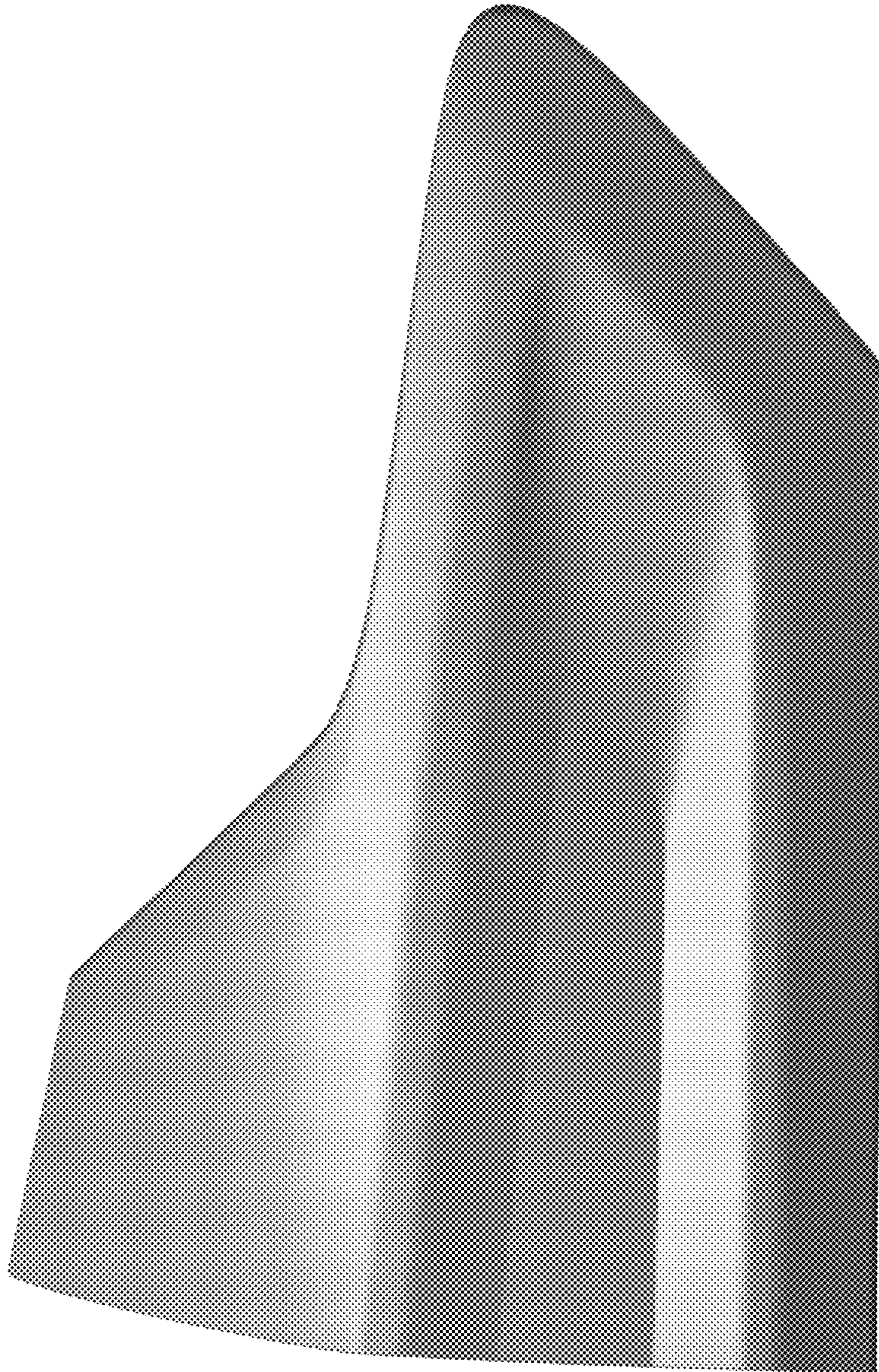


Fig. 18



*Fig. 19*

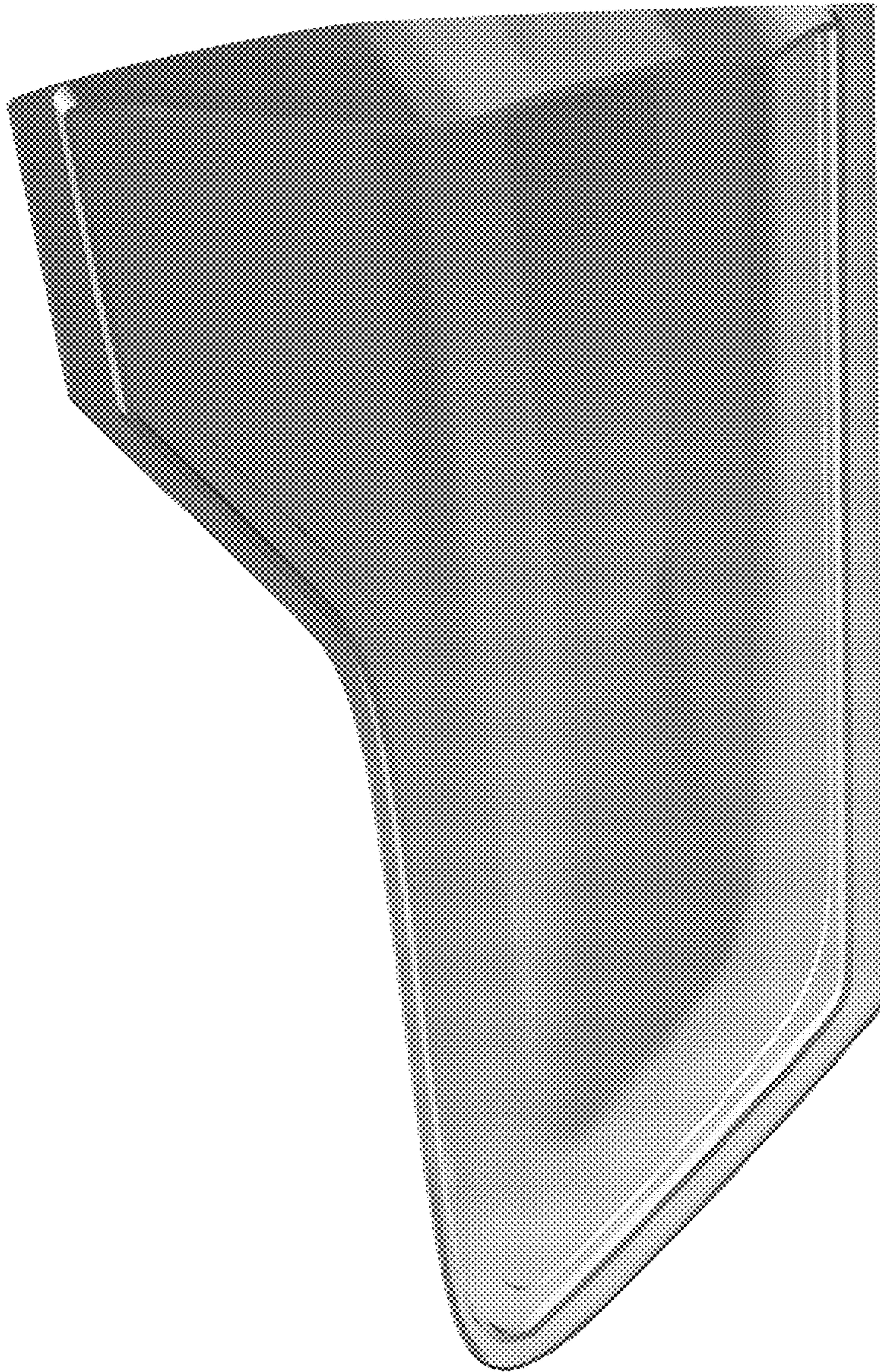


Fig. 20

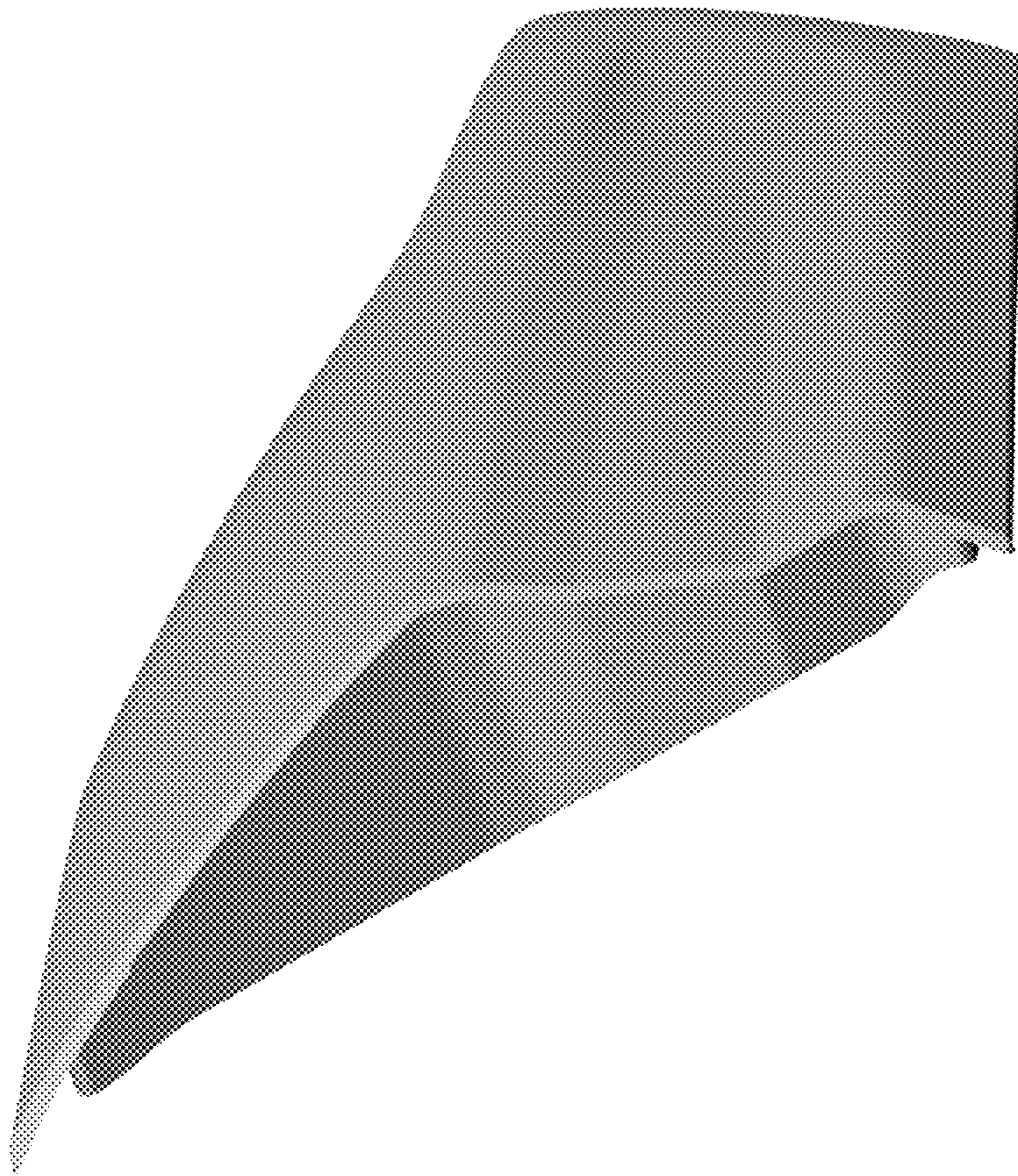


Fig. 21

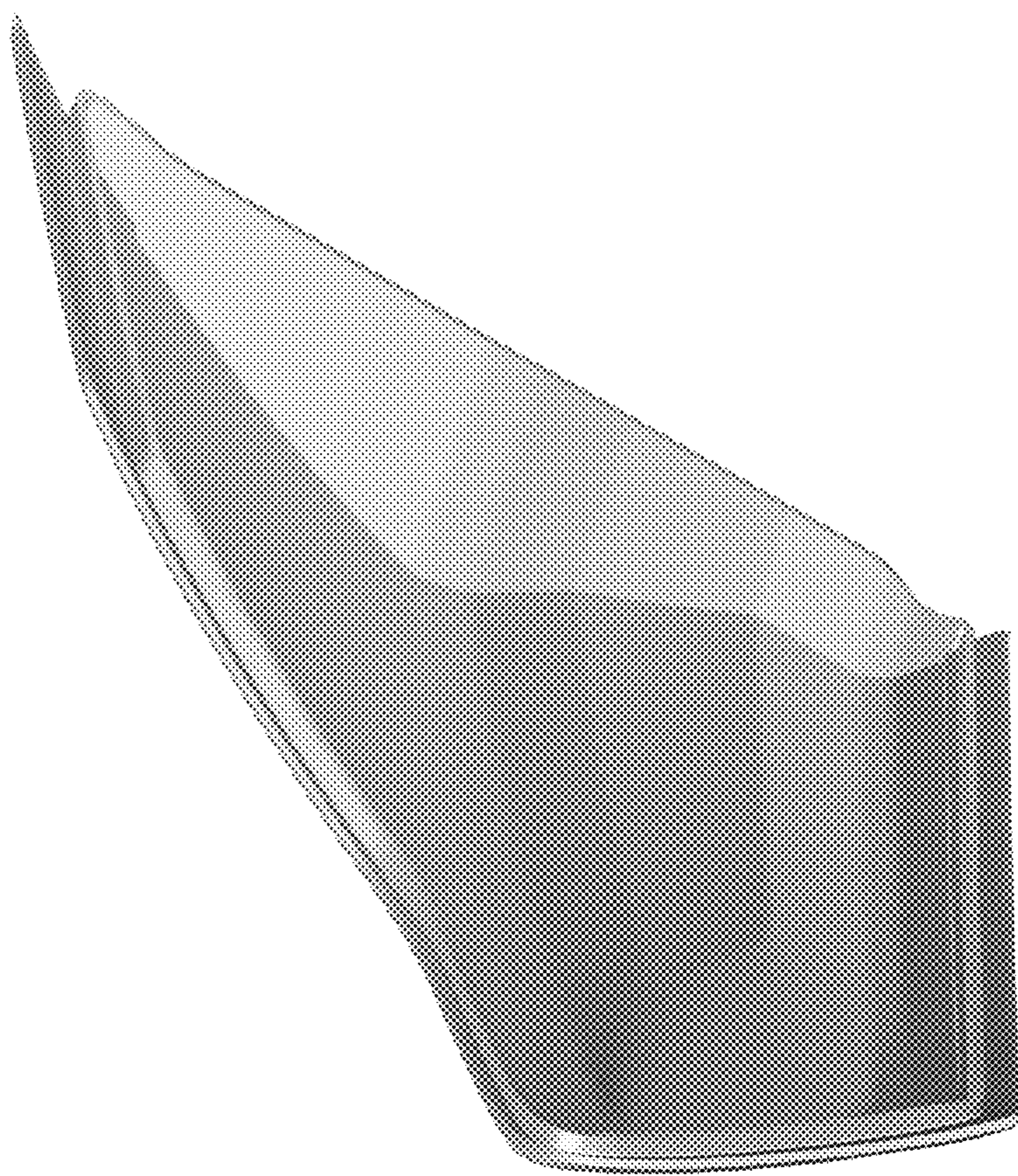


Fig. 22



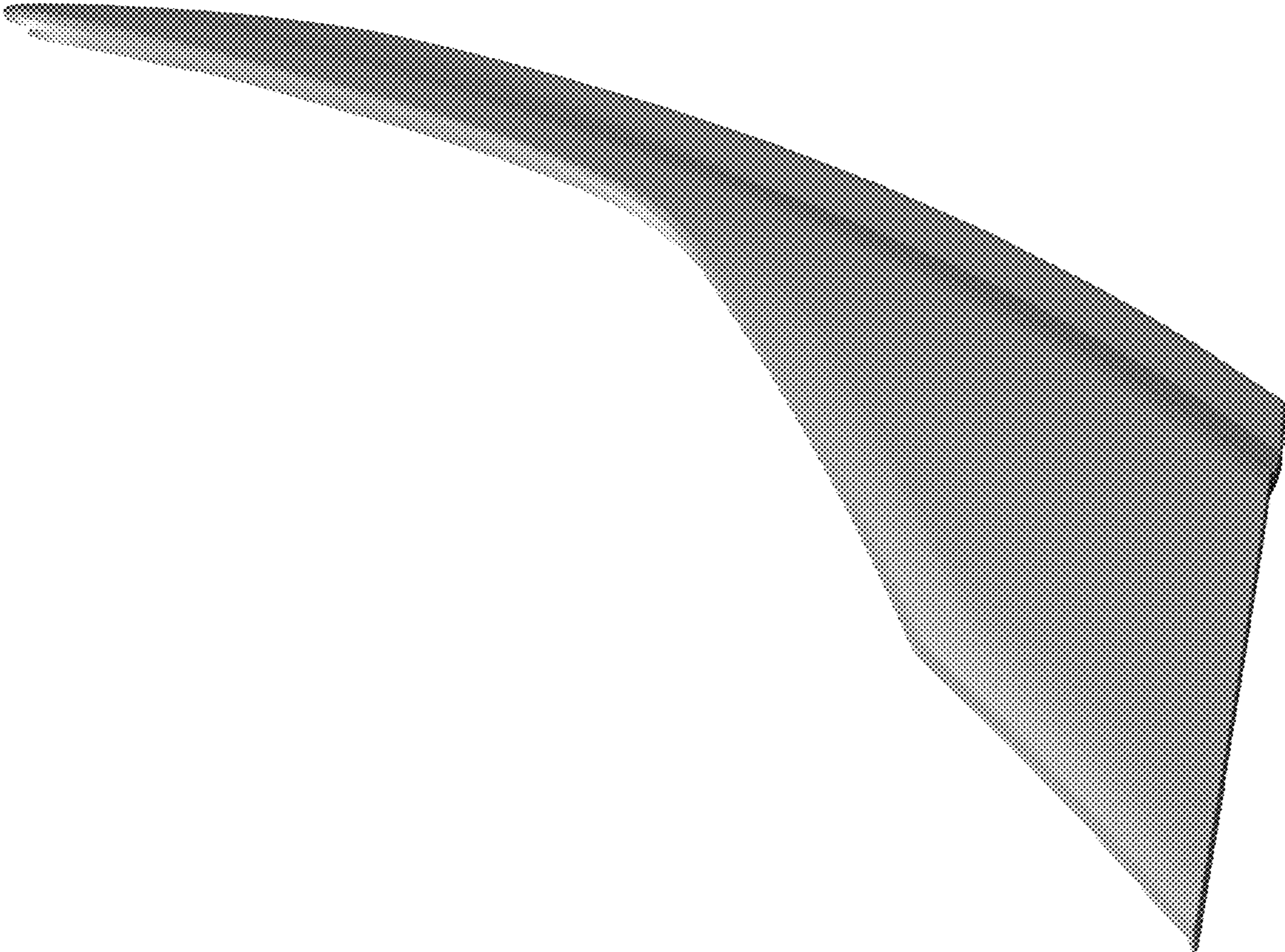


Fig. 23

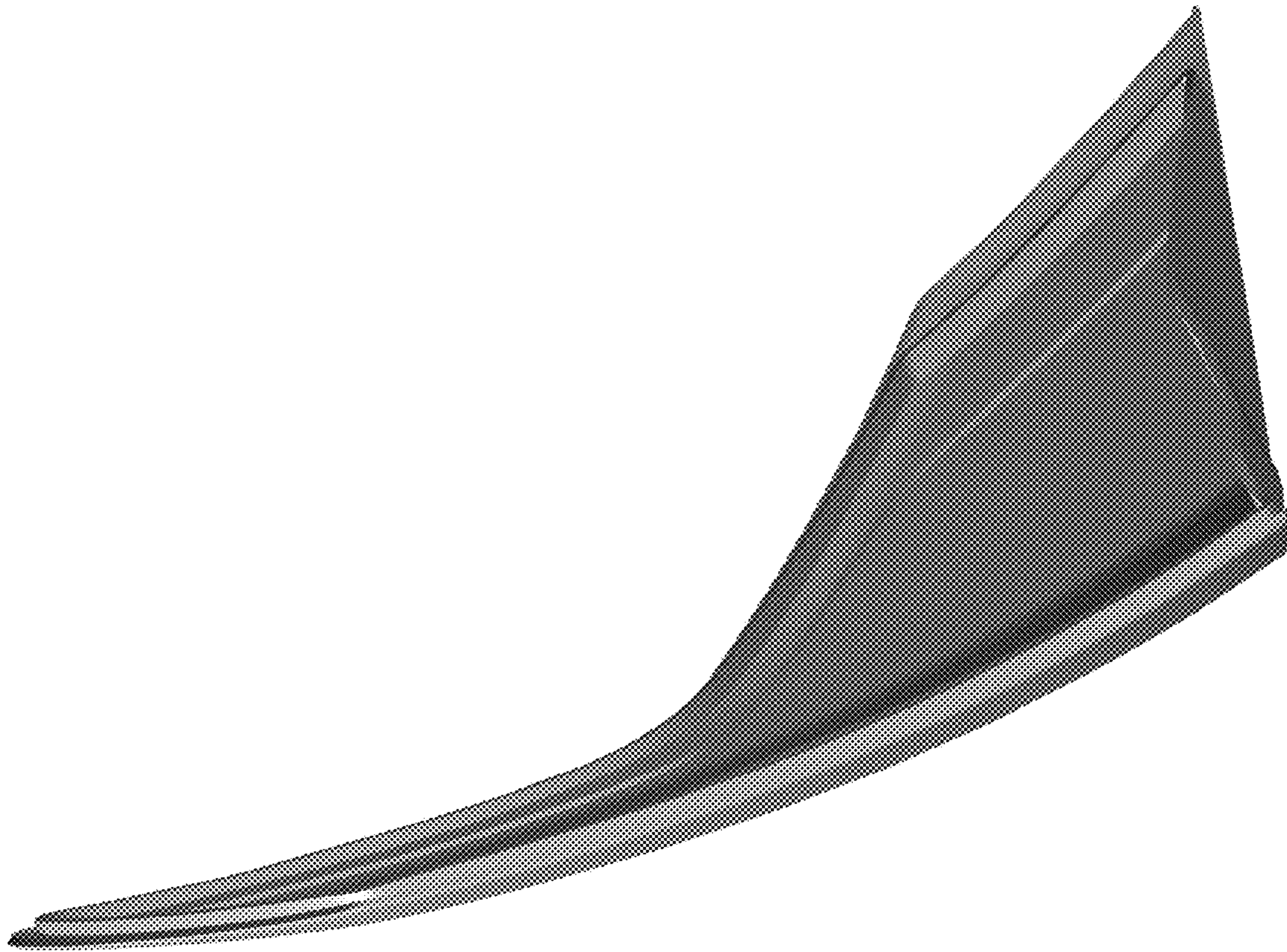
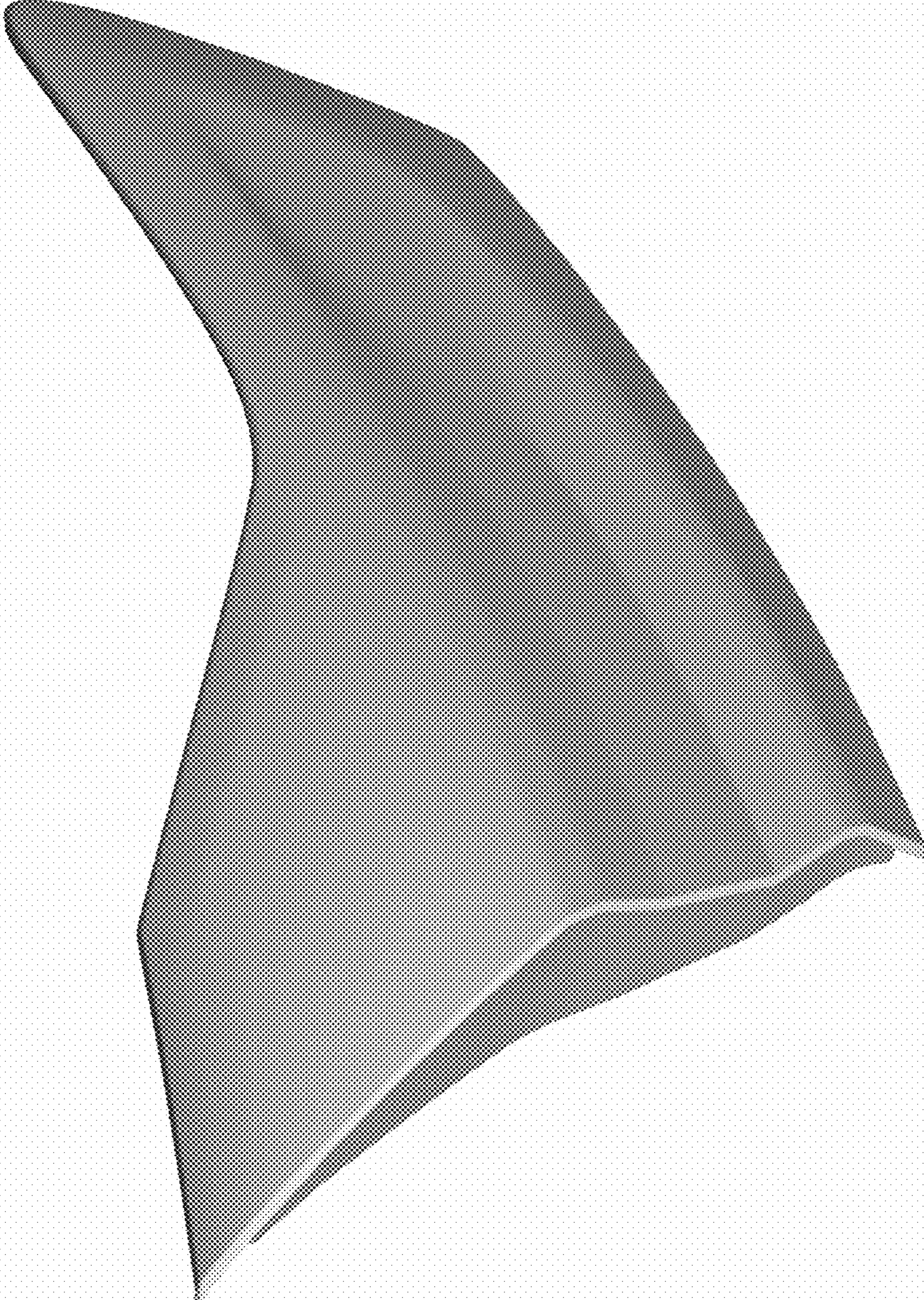


Fig. 24

Fig. 25



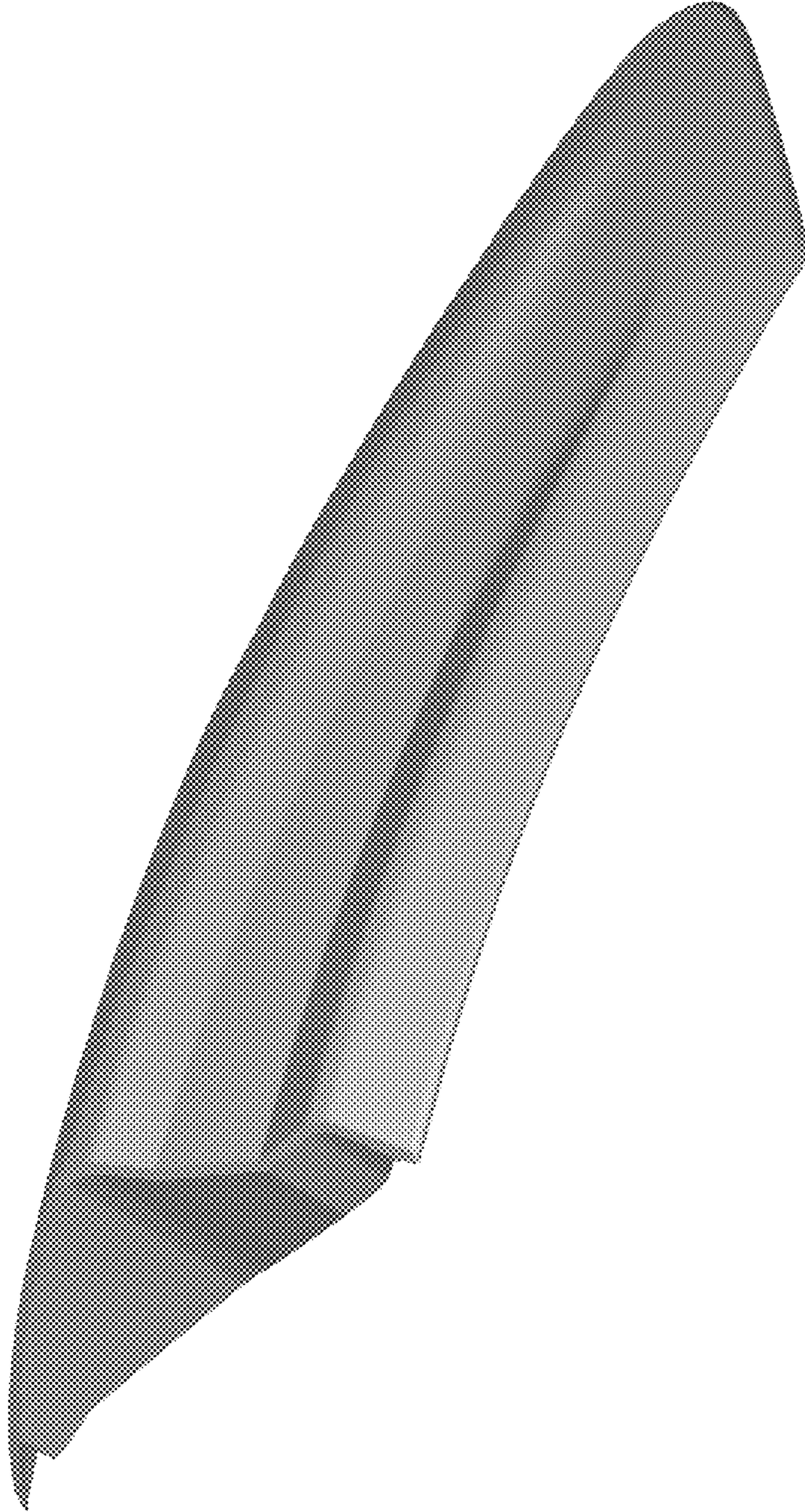


Fig. 26

