



US00D868304S

(12) **United States Design Patent** (10) **Patent No.:** **US D868,304 S**  
**Bauer** (45) **Date of Patent:** **\*\* Nov. 26, 2019**

(54) **HEADLIGHT FOR A MOTOR VEHICLE**

(71) Applicant: **Dr. Ing. h.c. F. Porsche**  
**Aktiengesellschaft, Stuttgart (DE)**

(72) Inventor: **Ulrich Bauer, Gerlingen (DE)**

(73) Assignee: **Dr. Ing. h.c. F. Porsche**  
**Aktiengesellschaft (DE)**

(\*\*) Term: **15 Years**

(21) Appl. No.: **29/621,315**

(22) Filed: **Oct. 6, 2017**

(30) **Foreign Application Priority Data**

Apr. 7, 2017 (DE) ..... 40 2017 100 459

(51) **LOC (12) Cl.** ..... **26-06**

(52) **U.S. Cl.**  
USPC ..... **D26/28**

(58) **Field of Classification Search**  
USPC ..... D26/28-36  
CPC ..... F21S 48/00; F21S 48/10; F21S 48/115;  
F21S 48/225; F21S 48/1233; F21S  
48/1266; F21S 48/1388; F21S 48/2268;  
F21K 9/00; F21K 29/004  
See application file for complete search history.

(56) **References Cited**

**U.S. PATENT DOCUMENTS**

D601,732 S \* 10/2009 Han ..... D26/28  
D684,710 S \* 6/2013 Chen ..... D26/28

D723,723 S \* 3/2015 Goto ..... D26/28  
D745,717 S \* 12/2015 Wu ..... D26/28  
D765,281 S \* 8/2016 Lai ..... D26/28  
D765,892 S 9/2016 Redlich  
D780,966 S \* 3/2017 Binder ..... D26/28  
D790,742 S \* 6/2017 Imai ..... D26/28

**OTHER PUBLICATIONS**

Design U.S. Appl. No. 29/592,789, by Yamashita, filed Feb. 2, 2017.  
Design U.S. Appl. No. 29/592,791, by Yamashita, filed Feb. 2, 2017.

\* cited by examiner

*Primary Examiner* — Marcus A Jackson  
(74) *Attorney, Agent, or Firm* — RatnerPrestia

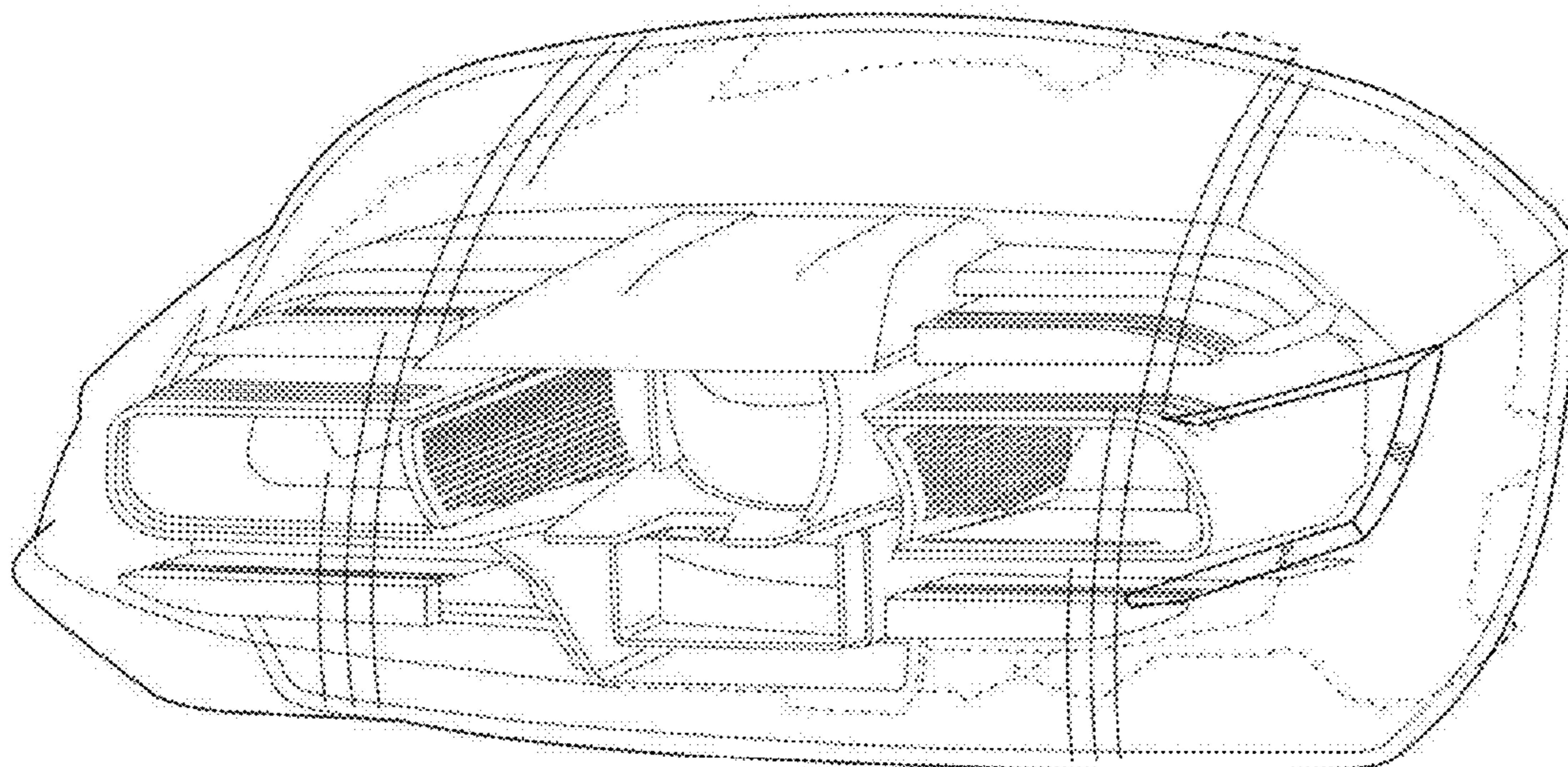
(57) **CLAIM**

The ornamental design for a headlight for a motor vehicle, as shown and described.

**DESCRIPTION**

FIG. 1 is a perspective view of a headlight for a motor vehicle;  
FIG. 2 is an elevation view thereof from the left side;  
FIG. 3 is a front elevation view thereof;  
FIG. 4 is an elevation view thereof from the right side;  
FIG. 5 is a top plan view thereof; and,  
FIG. 6 is a bottom plan view thereof.  
The broken line showing of the headlight for a motor vehicle is for the purpose of illustrating portions of the headlight for a motor vehicle and forms no part of the claimed design.

**1 Claim, 6 Drawing Sheets**



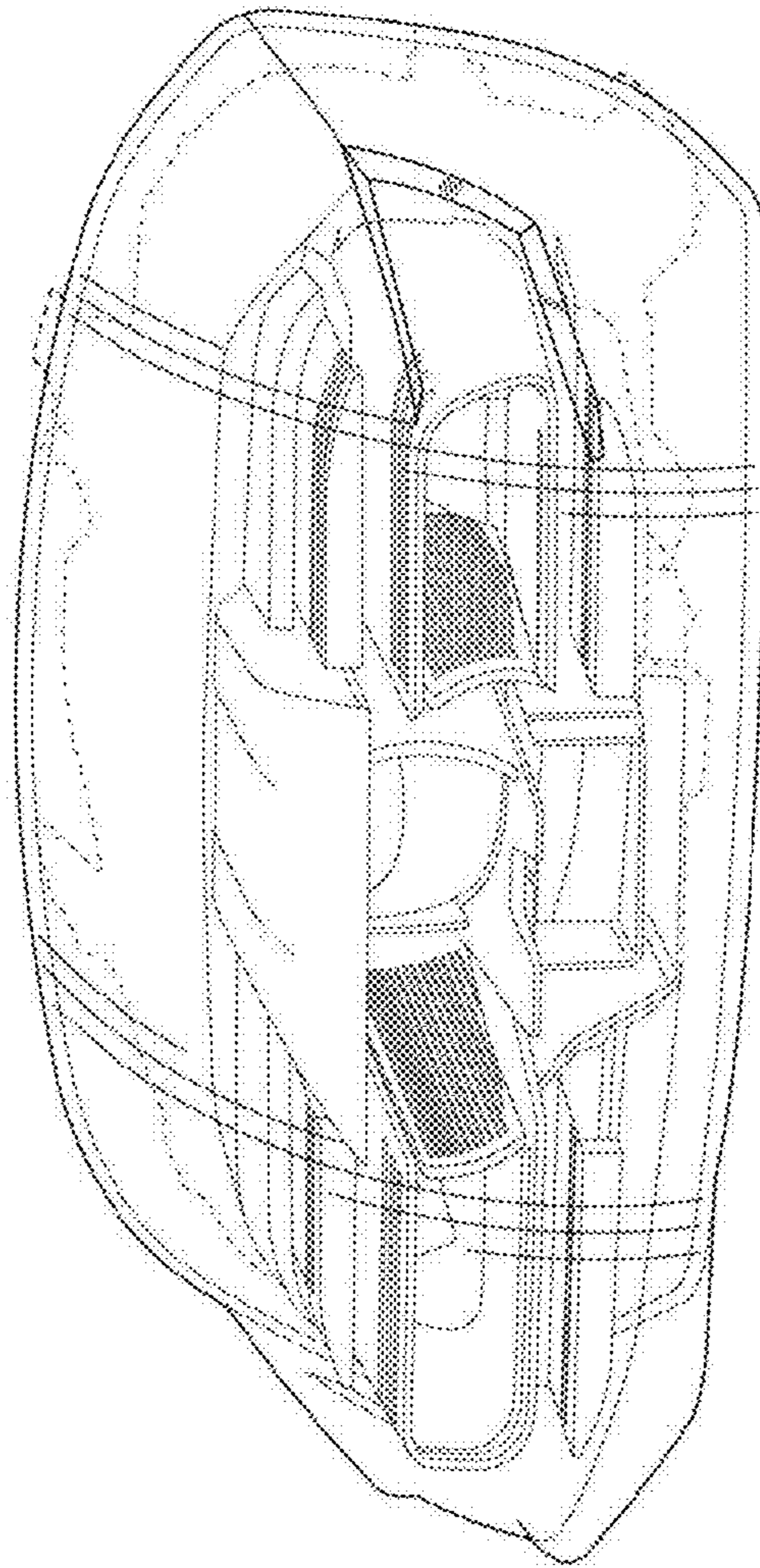


FIG. 1

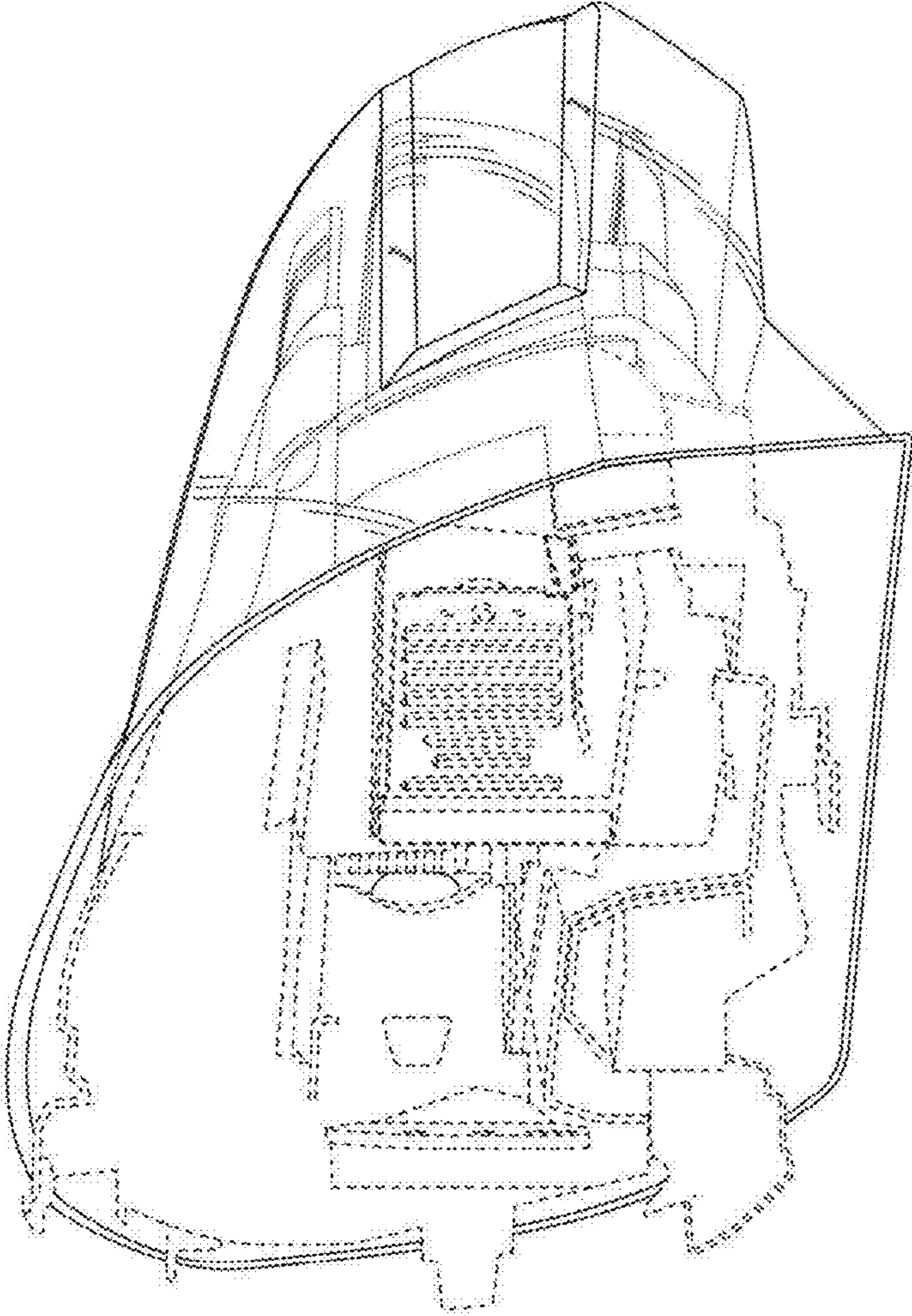


FIG. 2

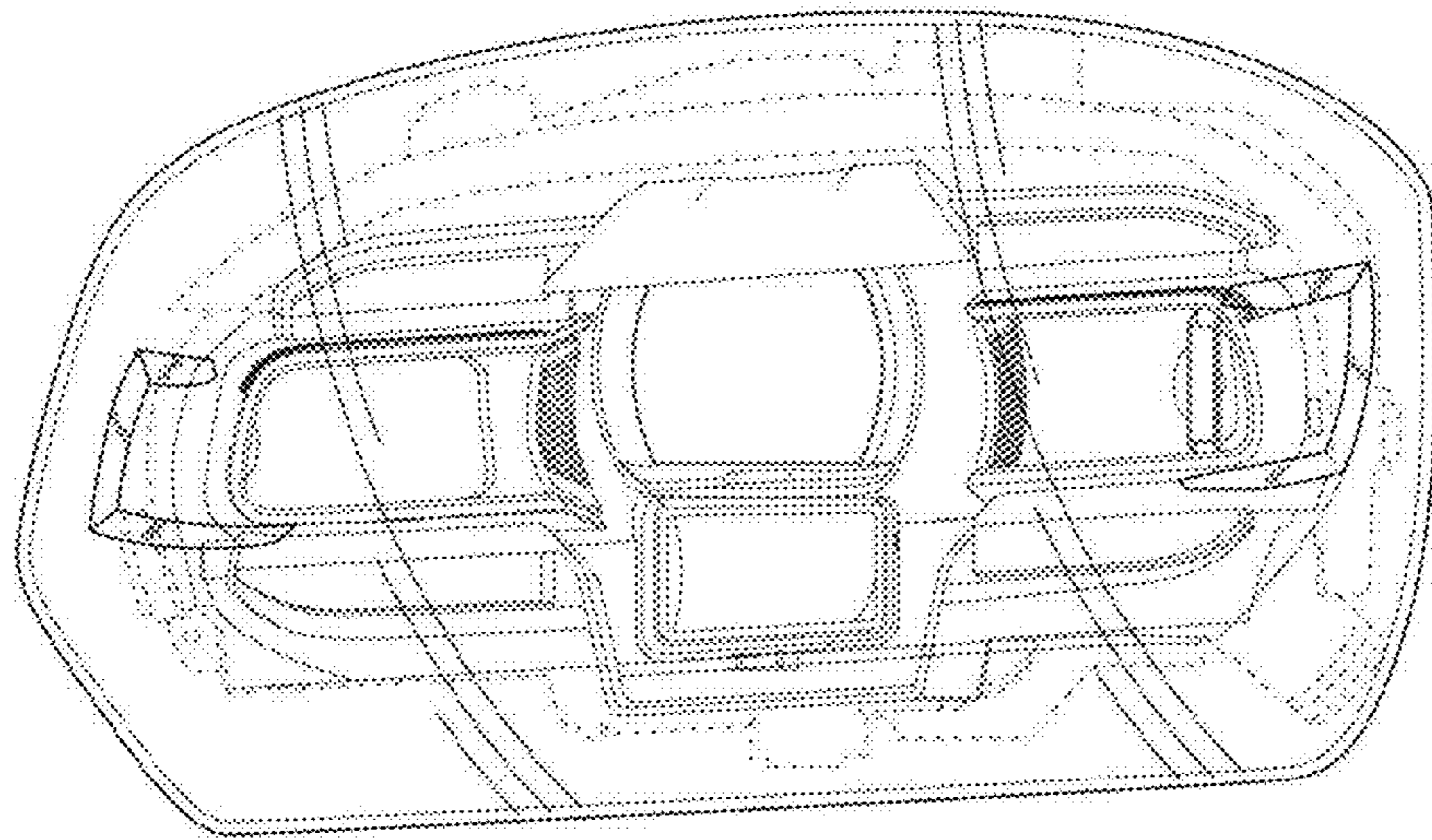


FIG. 3

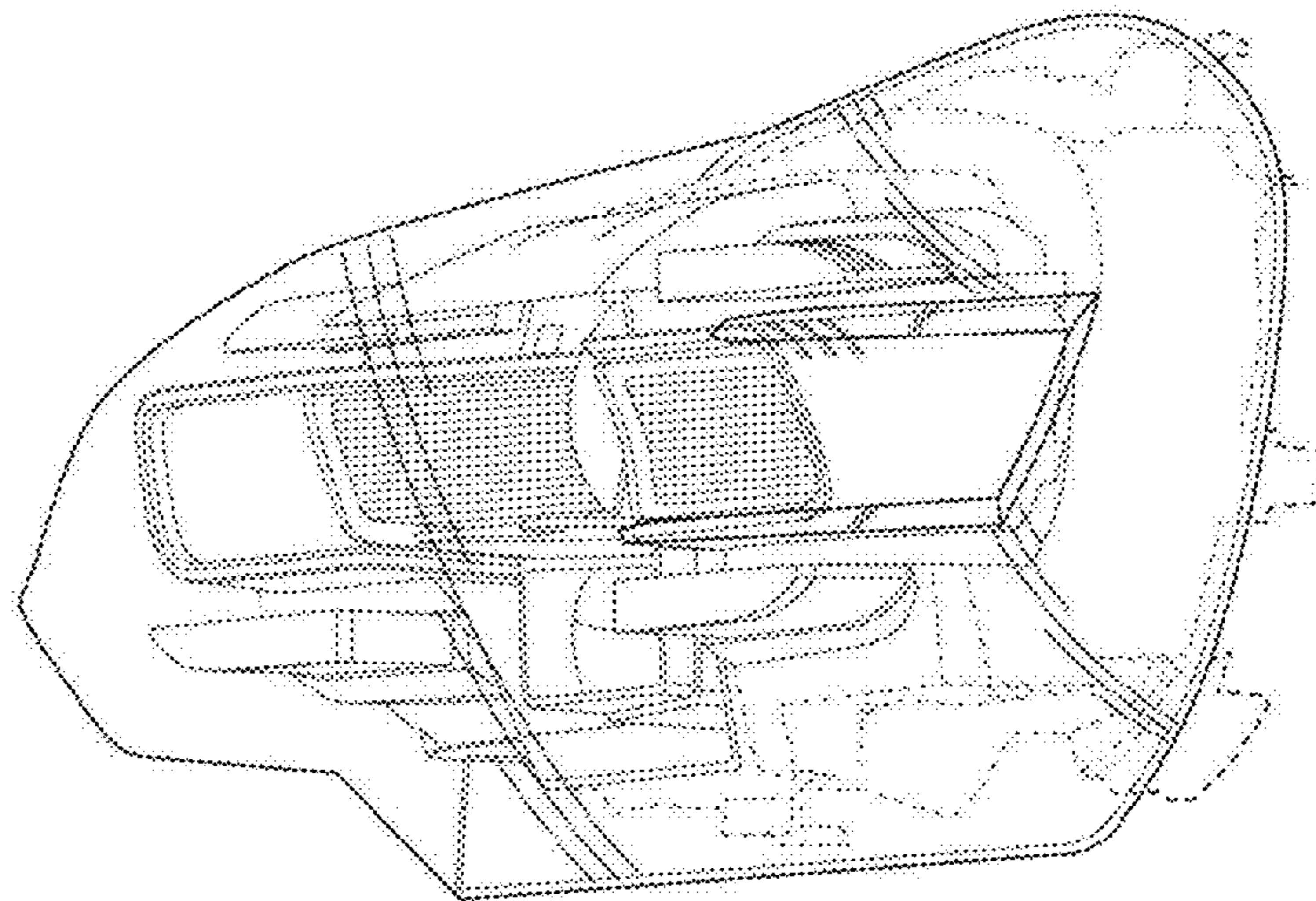


FIG. 4

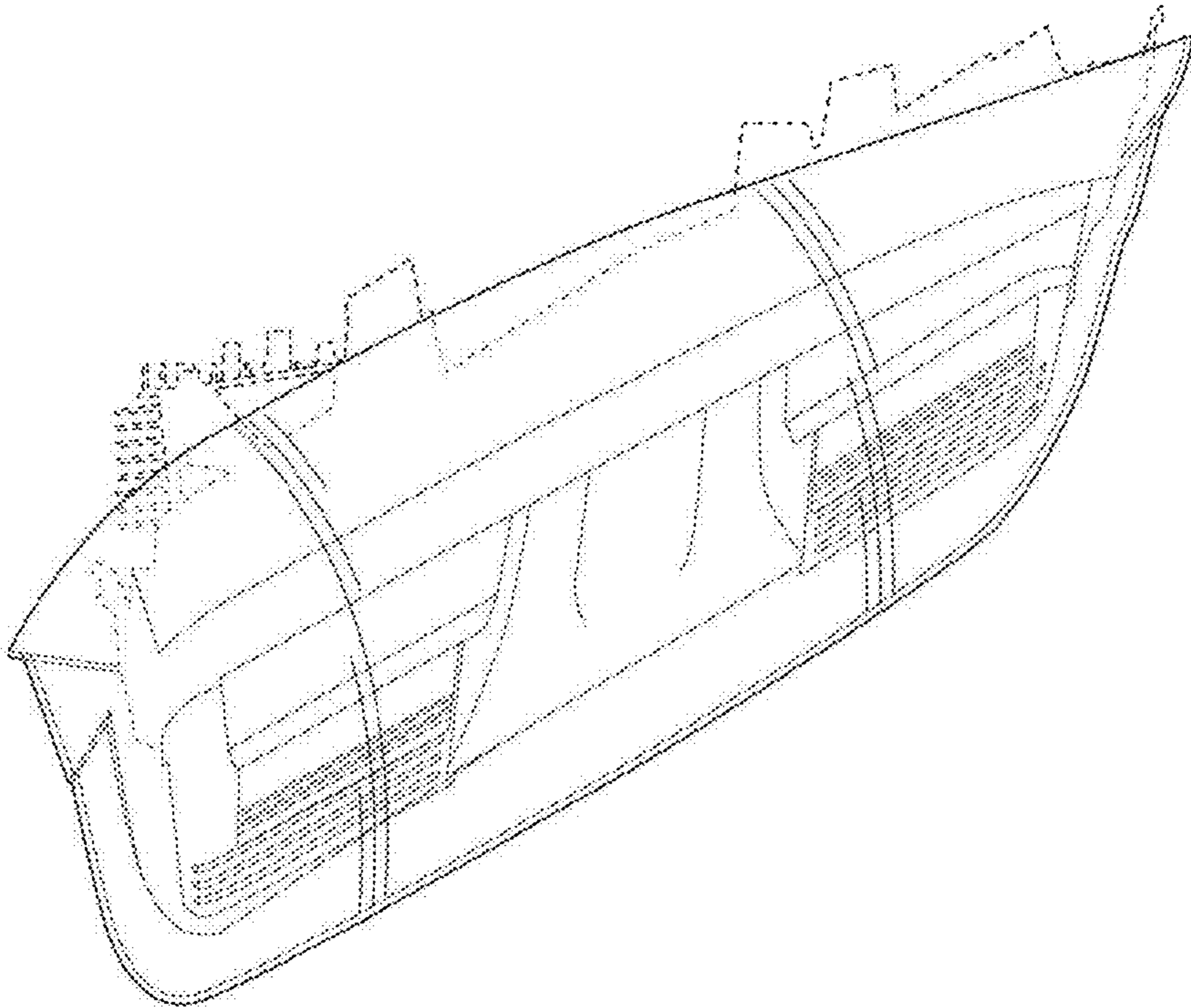


FIG. 5

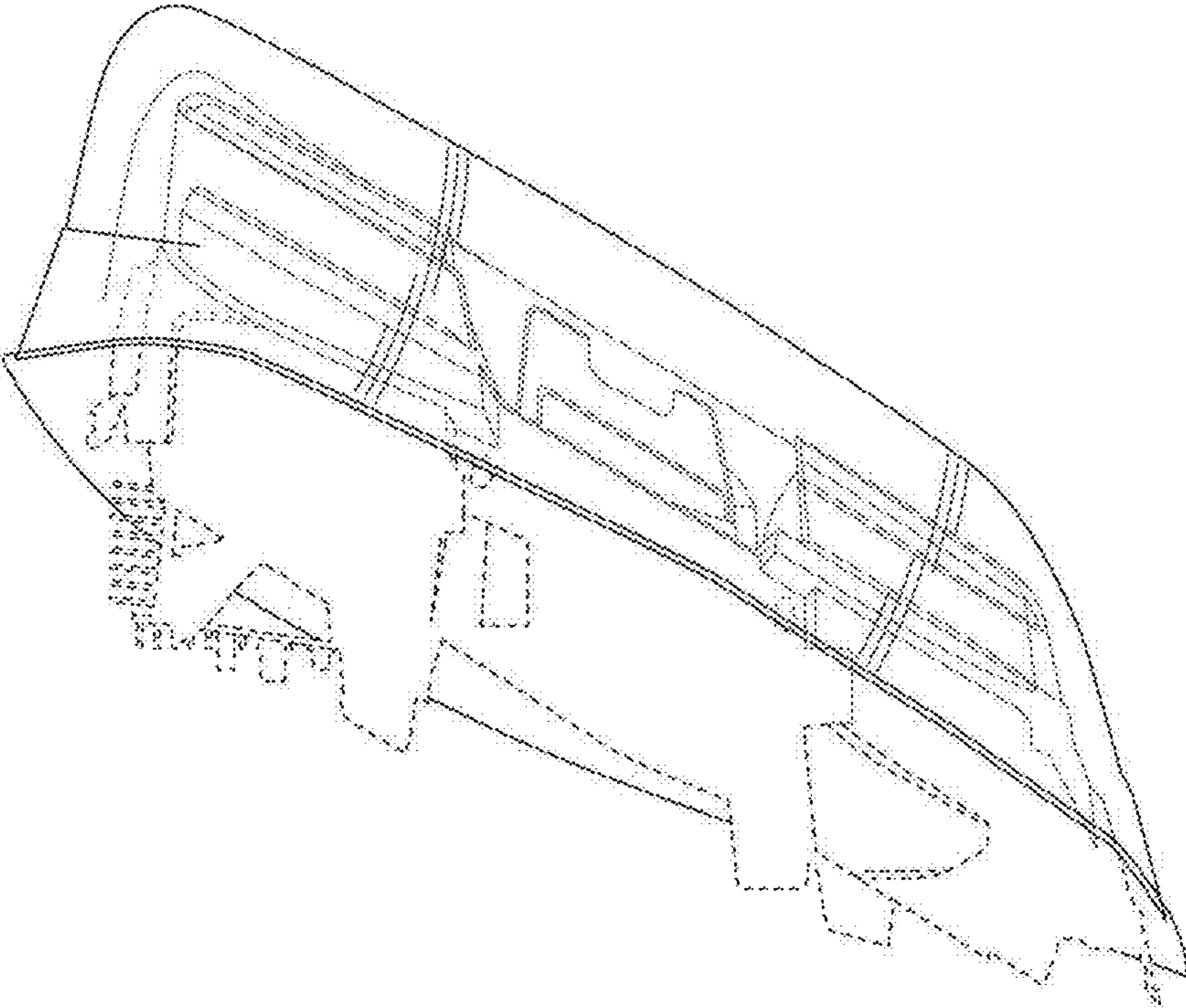


FIG. 6