



US00D868303S

(12) **United States Design Patent** (10) **Patent No.:** **US D868,303 S**
Mössner (45) **Date of Patent:** **** Nov. 26, 2019**

(54) **TAILLIGHT FOR MOTOR VEHICLE**
(71) Applicant: **Dr. Ing. h.c. F. Porsche**
Aktiengesellschaft, Stuttgart (DE)

(72) Inventor: **Malte Mössner, Stuttgart (DE)**

(73) Assignee: **Dr. Ing. h.c. F. Porsche**
Aktiengesellschaft (DE)

(**) Term: **15 Years**

(21) Appl. No.: **29/618,438**

(22) Filed: **Sep. 21, 2017**

(30) **Foreign Application Priority Data**

Mar. 22, 2017 (DE) 40 2017 100 346

(51) **LOC (12) Cl.** **26-06**

(52) **U.S. Cl.**
USPC **D26/28**

(58) **Field of Classification Search**
USPC D12/86, 90-92, 114, 163, 169, 171-173,
D12/181, 190, 196, 197, 199, 400;
D17/1, 222; D26/28-36
CPC .. B62J 6/02; B62J 6/00; B60Q 3/0279; B60Q
3/104; B60Q 3/10408; B60Q 3/10466;
B60Q 3/12653; B60Q 3/128; F21S 48/00;
F21S 48/10; F21S 48/115; F21S 48/225;
F21S 48/1233; F21S 48/1266; F21S
48/1388; F21S 48/2268; F21V 21/04
See application file for complete search history.

(56) **References Cited**

U.S. PATENT DOCUMENTS

D334,992 S * 4/1993 Sacco D26/122
D451,616 S * 12/2001 Pfeiffer D26/28

D472,657 S * 4/2003 Pfeiffer D26/28
D684,711 S * 6/2013 Chen D26/28
D694,440 S * 11/2013 Johnson D26/28
D775,748 S * 1/2017 Curic D26/28
D802,183 S * 11/2017 Leutiger D26/28
D836,805 S * 12/2018 Tomasson D26/28
D837,422 S * 1/2019 Yamashita D26/28
2014/0160739 A1 * 6/2014 Hiesl F21V 15/01
362/217.1

* cited by examiner

Primary Examiner — Philip S Hyder
Assistant Examiner — Cary M Robinson
(74) *Attorney, Agent, or Firm* — RatnerPrestia

(57) **CLAIM**

The ornamental design for a taillight for a motor vehicle, as shown and described.

DESCRIPTION

The file of this patent contains at least one drawing/photograph executed in color. Copies of this patent with color drawing(s)/photograph(s) will be provided by the Office upon request and payment of the necessary fee.
FIG. 1 is a perspective view of a taillight for a motor vehicle; FIG. 2 is a perspective view thereof from the top; FIG. 3 is a front elevation view thereof; FIG. 4 is an elevation view thereof from the left side; FIG. 5 is an elevation view thereof from the right side; and, FIG. 6 is a top plan view thereof.
The broken line showing of the taillight for motor vehicle is for the purpose of illustrating portions of the taillight for motor vehicle and forms no part of the claimed design.

1 Claim, 6 Drawing Sheets
(6 of 6 Drawing Sheet(s) Filed in Color)





FIG. 1

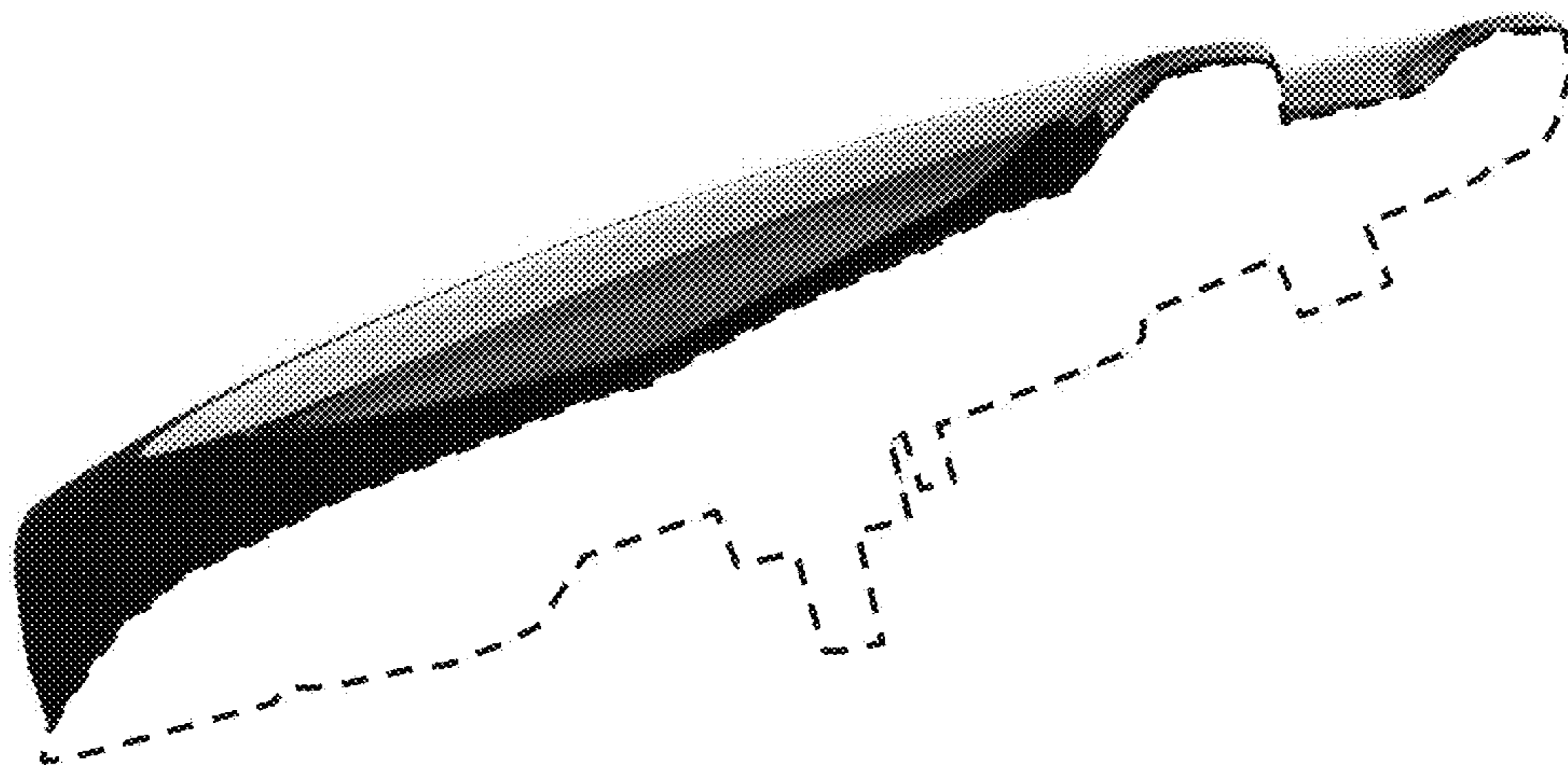


FIG. 2

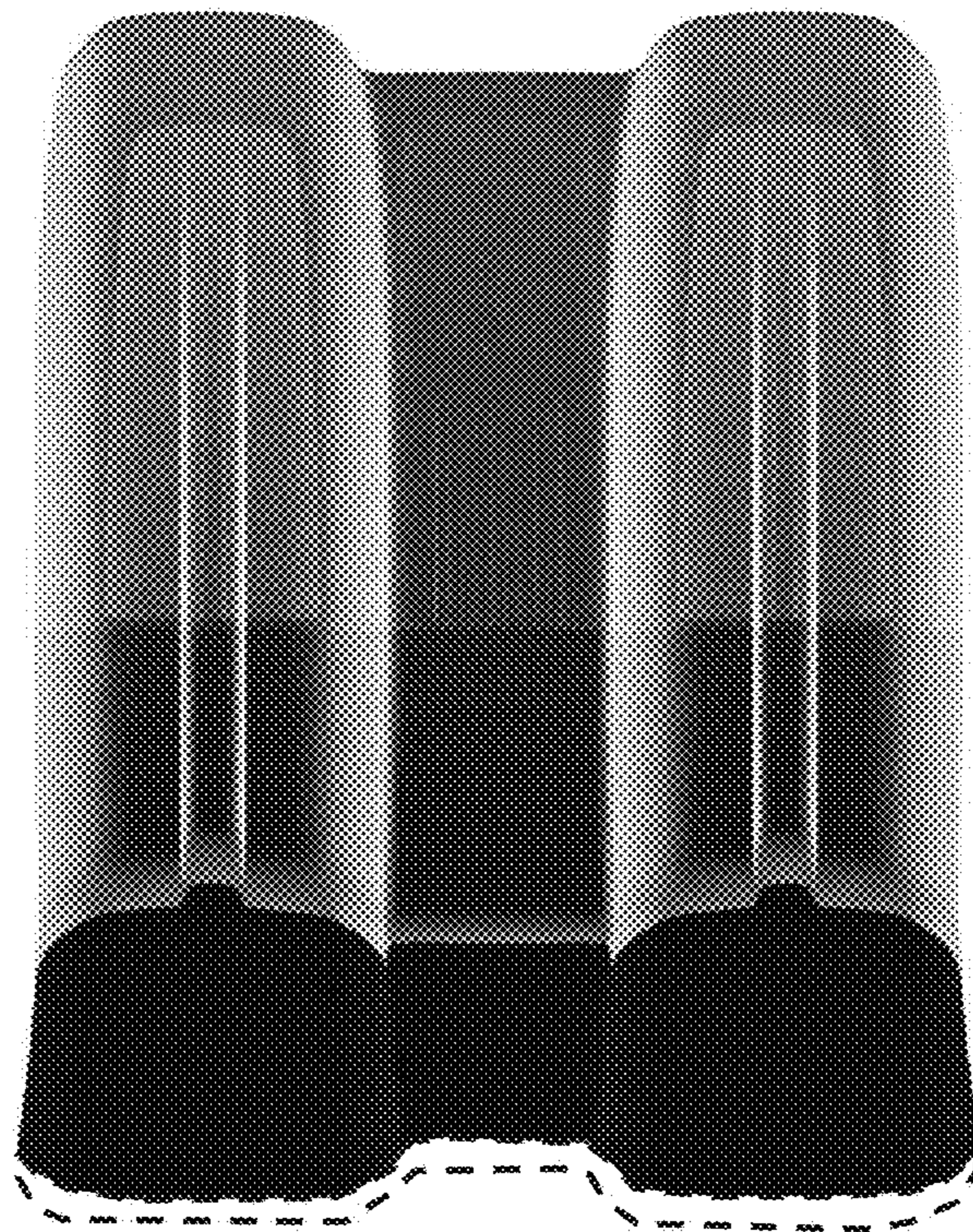


FIG. 3

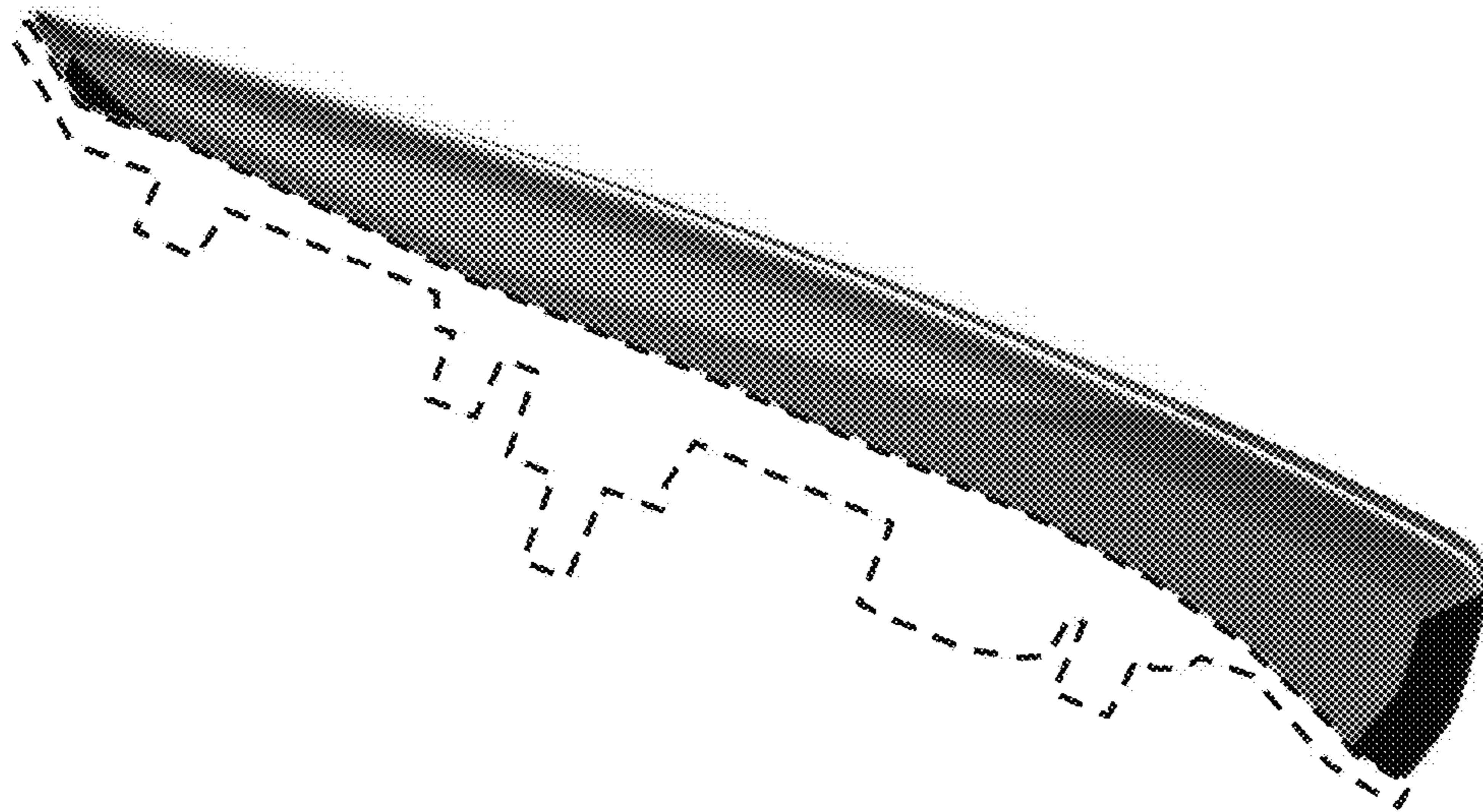


FIG. 4

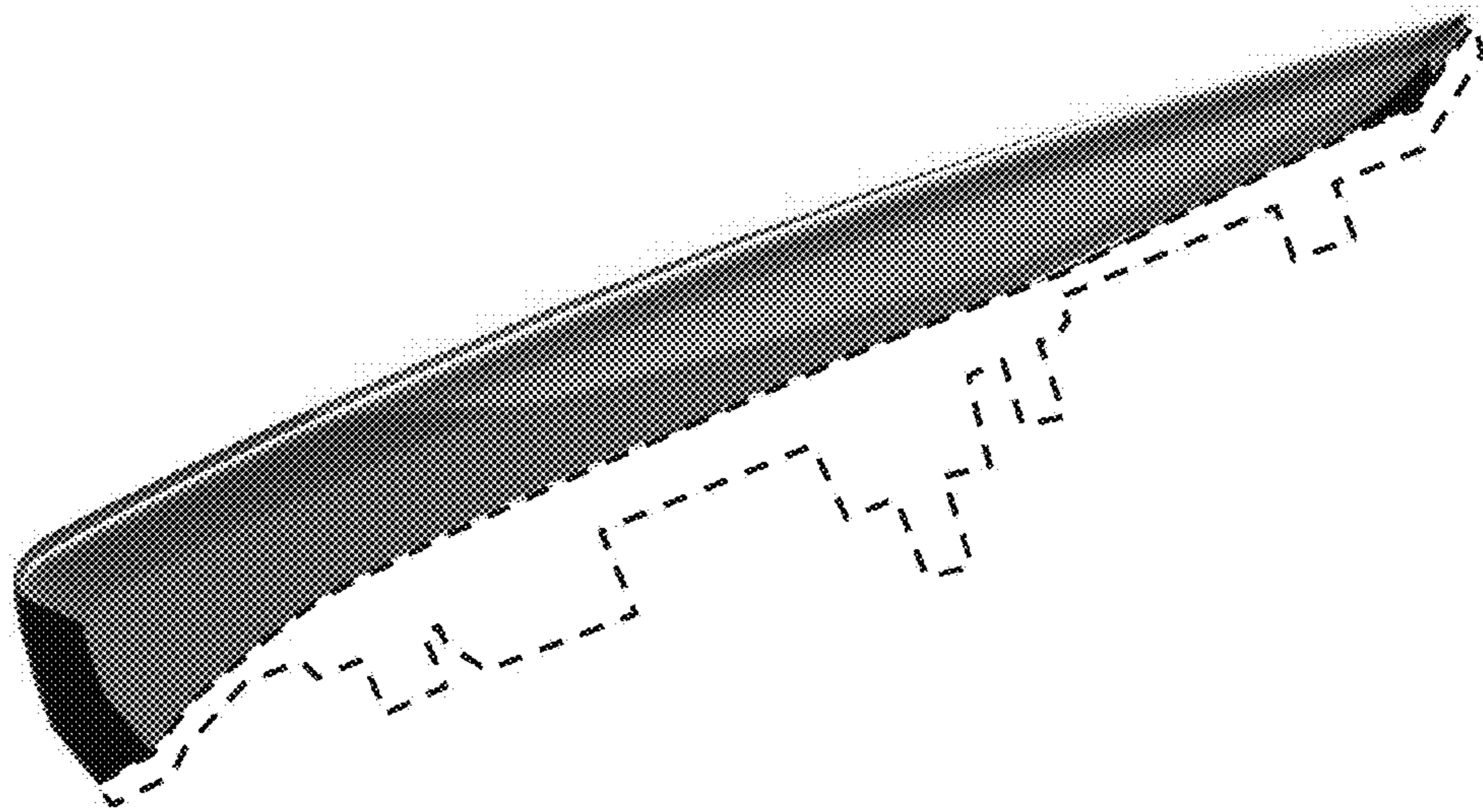


FIG. 5

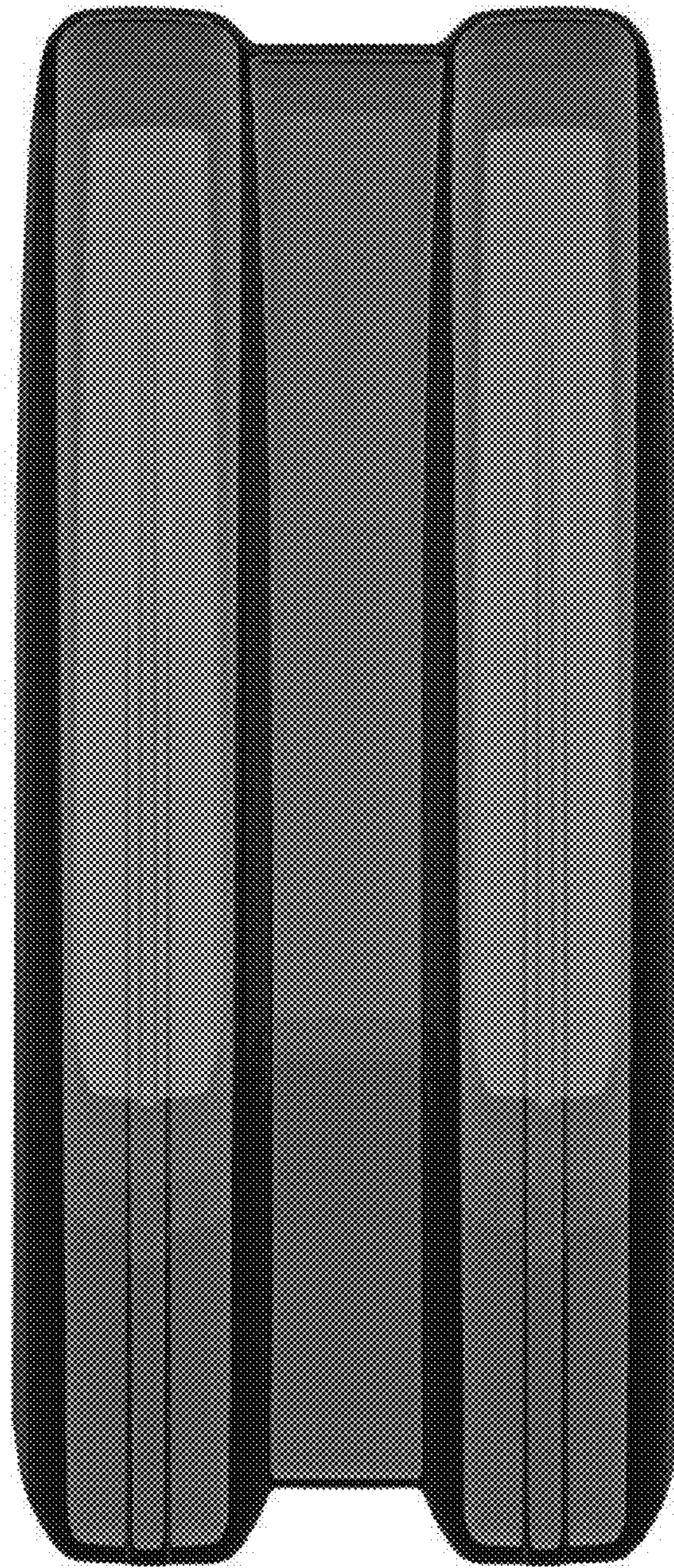


FIG. 6