



US00D868302S

(12) **United States Design Patent**
Hochmuth

(10) **Patent No.:** **US D868,302 S**

(45) **Date of Patent:** **** Nov. 26, 2019**

- (54) **VEHICLE FRONT HEADLAMP**
- (71) Applicant: **GM GLOBAL TECHNOLOGY OPERATIONS LLC**, Detroit, MI (US)
- (72) Inventor: **Ullrich Hochmuth**, Bischofsheim (DE)
- (73) Assignee: **GM GLOBAL TECHNOLOGY OPERATIONS LLC**, Detroit, MI (US)
- (**) Term: **15 Years**
- (21) Appl. No.: **29/598,113**
- (22) Filed: **Mar. 23, 2017**
- (51) **LOC (12) Cl.** **26-06**
- (52) **U.S. Cl.**
USPC **D26/28**
- (58) **Field of Classification Search**
USPC D26/28, 29, 30, 31, 32, 33, 34, 35, 36;
362/459-468, 475-478, 485-487
CPC F21S 48/00; F21S 48/10; F21S 48/115;
F21S 48/225; F21S 48/1233; F21S
48/1266; F21S 48/1388; F21S 48/2268;
F21V 21/04
See application file for complete search history.

D605,978 S	12/2009	Wolff et al.	
D608,249 S	1/2010	Peters	
D608,690 S	1/2010	Folden et al.	
D608,691 S	1/2010	Zak, Jr. et al.	
D609,608 S	2/2010	Boniface et al.	
D611,387 S	3/2010	Thompson et al.	
D611,879 S	3/2010	Kim et al.	
D612,297 S	3/2010	Peters et al.	
D613,645 S	4/2010	Song et al.	
D615,458 S	5/2010	Thompson et al.	
D618,595 S	6/2010	Ware et al.	
D623,090 S	9/2010	Cox et al.	
D627,262 S	11/2010	Ikeda et al.	
D635,488 S	4/2011	Phipps	
D644,147 S	8/2011	Suh et al.	
D644,567 S	9/2011	Kozub	
D656,643 S *	3/2012	Sato	D26/28
D657,718 S	4/2012	Zipfel et al.	
D659,052 S	5/2012	Ware et al.	
D659,053 S	5/2012	Ware et al.	

(Continued)

Primary Examiner — Angela J Lee

(57) **CLAIM**

The ornamental design for a vehicle front headlamp, as shown and described.

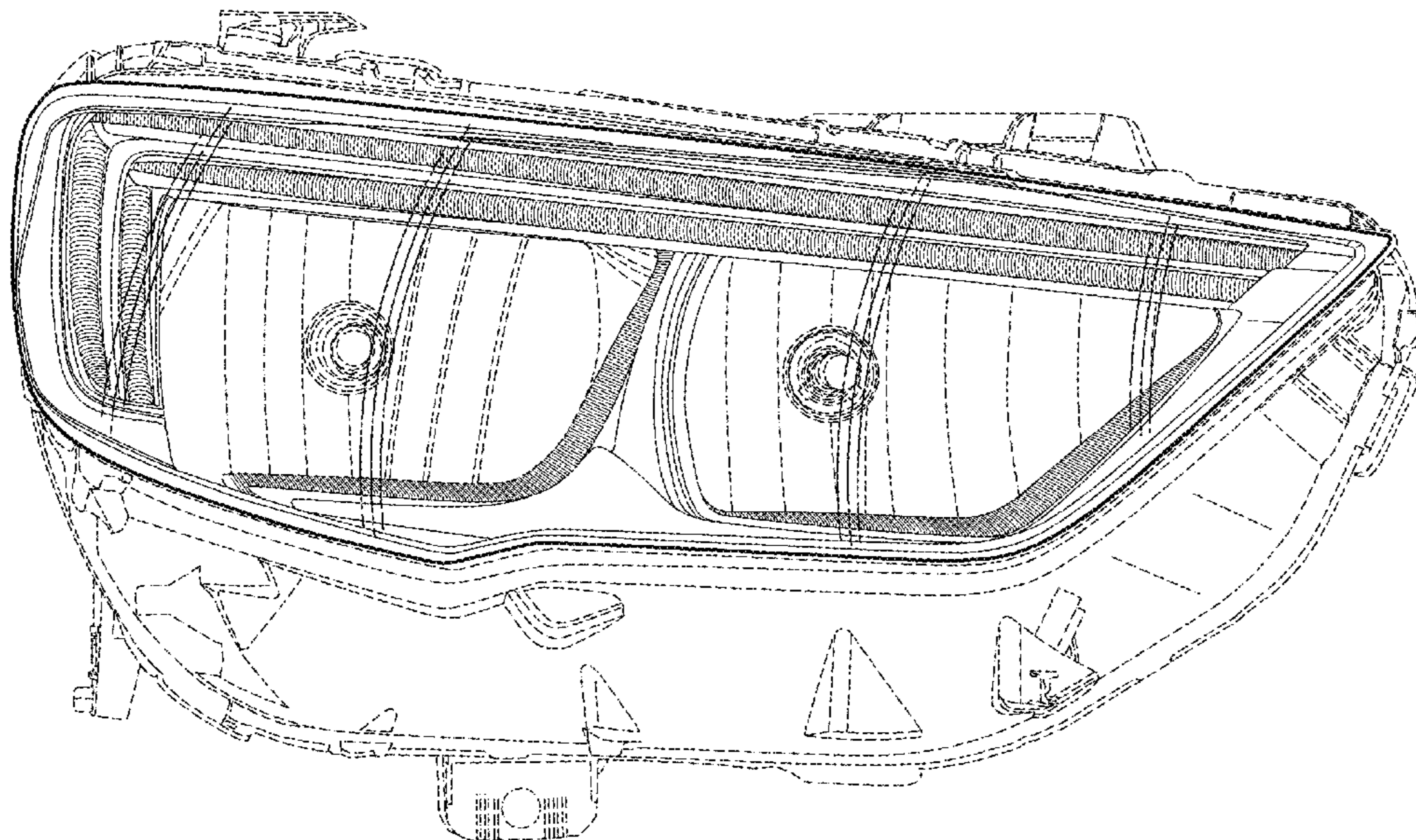
DESCRIPTION

FIG. 1 is a front view of one embodiment of the vehicle front headlamp;
 FIG. 2 is a left side view of the embodiment of FIG. 1;
 FIG. 3 is a right side view of the embodiment of FIG. 1;
 FIG. 4 is a perspective view of the embodiment of FIG. 1;
 FIG. 5 is another perspective view of the embodiment of FIG. 1;
 FIG. 6 is a bottom view of the embodiment of FIG. 1; and,
 FIG. 7 is a top view of the embodiment of FIG. 1.
 In the drawings, the portions shown by broken lines form no part of the claimed design.

1 Claim, 7 Drawing Sheets

(56) **References Cited**
U.S. PATENT DOCUMENTS

D570,742 S	6/2008	Takagi et al.	
D582,587 S *	12/2008	Yang	D26/28
D592,105 S	5/2009	Dean et al.	
D597,447 S	8/2009	Folden	
D600,595 S	9/2009	Nakamura et al.	
D601,925 S	10/2009	O'Donnell	
D603,755 S	11/2009	Peters	
D604,203 S	11/2009	O'Donnell	
D605,082 S	12/2009	Munson	
D605,083 S	12/2009	Manoogian, II et al.	
D605,977 S	12/2009	Zipfel et al.	



(56)

References Cited

U.S. PATENT DOCUMENTS

D666,752 S * 9/2012 Watanabe D26/28
 D668,182 S 10/2012 Barba Franco et al.
 D668,183 S 10/2012 Smart
 D678,820 S 3/2013 Son et al.
 D678,821 S 3/2013 Ikeda et al.
 D680,909 S 4/2013 Munson et al.
 D680,910 S 4/2013 David
 D684,899 S 6/2013 Baker
 D686,536 S 7/2013 McCabe et al.
 D692,798 S 11/2013 Thurber
 D692,799 S 11/2013 Smith et al.
 D696,157 S 12/2013 Loeb
 D699,629 S 2/2014 Ikeda et al.
 D700,871 S 3/2014 O'Donnell et al.
 D703,103 S 4/2014 Lee
 D704,103 S 5/2014 Mack et al.
 D705,132 S 5/2014 Ware et al.
 D705,699 S 5/2014 Ware et al.
 D713,298 S 9/2014 Dyson
 D713,764 S 9/2014 Ferlazzo et al.
 D716,696 S 11/2014 Thole et al.
 D716,706 S 11/2014 Thole et al.
 D716,709 S 11/2014 Thole et al.
 D717,696 S 11/2014 Thole et al.
 D718,189 S 11/2014 Krieg et al.
 D718,683 S 12/2014 Thole et al.
 D722,282 S 2/2015 Loeb
 D722,533 S 2/2015 Thole et al.
 D722,534 S 2/2015 Munson et al.
 D723,724 S * 3/2015 Johnson D26/28
 D724,510 S 3/2015 McMahan et al.
 D725,001 S 3/2015 McMahan et al.
 D726,591 S 4/2015 Jacob
 D728,133 S * 4/2015 Bieling D26/28
 D730,776 S 6/2015 Smart
 D730,783 S 6/2015 Henriques et al.
 D732,427 S 6/2015 Loeb
 D732,429 S 6/2015 Loeb
 D732,430 S 6/2015 Loeb
 D732,431 S 6/2015 Loeb
 D732,432 S 6/2015 Aengenheyster
 D732,433 S 6/2015 Aengenheyster
 D732,435 S 6/2015 Mackay
 D733,002 S 6/2015 Loeb
 D735,611 S 8/2015 Aengenheyster
 D735,627 S 8/2015 Smith
 D736,451 S 8/2015 Smith
 D739,306 S 9/2015 McMahan et al.
 D739,317 S 9/2015 McMahan et al.
 D741,223 S 10/2015 Kim et al.
 D743,309 S 11/2015 Thole et al.
 D743,313 S 11/2015 Smith et al.
 D743,314 S 11/2015 Thole et al.
 D743,857 S 11/2015 McMahan et al.
 D744,158 S 11/2015 Willett et al.
 D745,086 S 12/2015 Finos et al.
 D745,719 S 12/2015 Boniface et al.
 D745,725 S 12/2015 McMahan et al.
 D745,726 S 12/2015 McMahan et al.
 D745,837 S 12/2015 Smith et al.
 D746,726 S 1/2016 Smith et al.
 D746,727 S 1/2016 Smith et al.
 D746,728 S 1/2016 Smith et al.
 D746,729 S 1/2016 Boniface et al.
 D746,730 S 1/2016 Kim et al.
 D747,514 S 1/2016 McMahan et al.
 D747,515 S 1/2016 McMahan et al.
 D747,819 S 1/2016 Thole et al.
 D749,021 S 2/2016 Boniface et al.

D749,026 S 2/2016 Smith et al.
 D749,027 S 2/2016 McMahan et al.
 D749,246 S 2/2016 Thole et al.
 D749,249 S 2/2016 Thole et al.
 D749,250 S 2/2016 Thole et al.
 D749,985 S 2/2016 Kozub et al.
 D749,997 S 2/2016 McMahan et al.
 D750,001 S 2/2016 Thole et al.
 D753,032 S 4/2016 Smith et al.
 D753,033 S 4/2016 Thole et al.
 D753,034 S 4/2016 Thole et al.
 D753,035 S 4/2016 Boniface et al.
 D753,559 S 4/2016 McMahan et al.
 D753,560 S 4/2016 McMahan et al.
 D753,567 S 4/2016 Boniface et al.
 D754,571 S 4/2016 Boniface et al.
 D754,572 S 4/2016 McMahan et al.
 D755,088 S 5/2016 McMahan et al.
 D756,869 S 5/2016 McMahan et al.
 D758,271 S 6/2016 McMahan et al.
 D761,463 S * 7/2016 Lai D26/28
 D764,975 S 8/2016 Aengenheyster
 D764,976 S 8/2016 Aengenheyster
 D767,449 S 9/2016 Pevovar et al.
 D767,450 S 9/2016 Lee et al.
 D767,451 S 9/2016 Kozub et al.
 D767,454 S 9/2016 McMahan et al.
 D767,458 S 9/2016 Kim
 D767,459 S 9/2016 Kim
 D767,460 S 9/2016 Kozub et al.
 D767,461 S 9/2016 Kozub et al.
 D771,528 S 11/2016 Smith et al.
 D771,529 S 11/2016 Thole et al.
 D771,532 S 11/2016 Kapitonov
 D771,533 S 11/2016 Kapitonov
 D772,766 S 11/2016 Kozub et al.
 D772,767 S 11/2016 Kim
 D773,084 S 11/2016 Kapitonov
 D773,086 S 11/2016 McCabe et al.
 D774,226 S 12/2016 McCabe et al.
 D774,671 S * 12/2016 Lai D26/28
 D775,003 S 12/2016 Pevovar et al.
 D775,007 S 12/2016 Thole et al.
 D775,010 S 12/2016 Kim et al.
 D775,049 S 12/2016 Scheer et al.
 D775,549 S 1/2017 Karras
 D775,554 S 1/2017 Kapitonov
 D776,020 S 1/2017 Kapitonov
 D776,581 S 1/2017 Pevovar et al.
 D776,583 S 1/2017 Scheer et al.
 D776,841 S 1/2017 Kozub et al.
 D776,843 S 1/2017 McCabe et al.
 D776,846 S 1/2017 Willett et al.
 D777,359 S 1/2017 Kozub et al.
 D777,360 S 1/2017 Kozub et al.
 D777,361 S 1/2017 Kozub et al.
 D777,604 S 1/2017 McNerney
 D777,605 S 1/2017 Ferlazzo et al.
 D777,620 S 1/2017 Pevovar et al.
 D777,621 S 1/2017 Kim
 D777,622 S 1/2017 Kozub et al.
 D777,628 S 1/2017 Kozub et al.
 D777,955 S 1/2017 Willett et al.
 D778,212 S 2/2017 Kozub et al.
 D778,215 S 2/2017 Kozub et al.
 D780,081 S 2/2017 Lee
 D780,084 S 2/2017 Scheer et al.
 D796,092 S * 8/2017 Ito D26/28
 D824,058 S * 7/2018 Hong D26/28
 D831,245 S * 10/2018 Lin D26/28

* cited by examiner

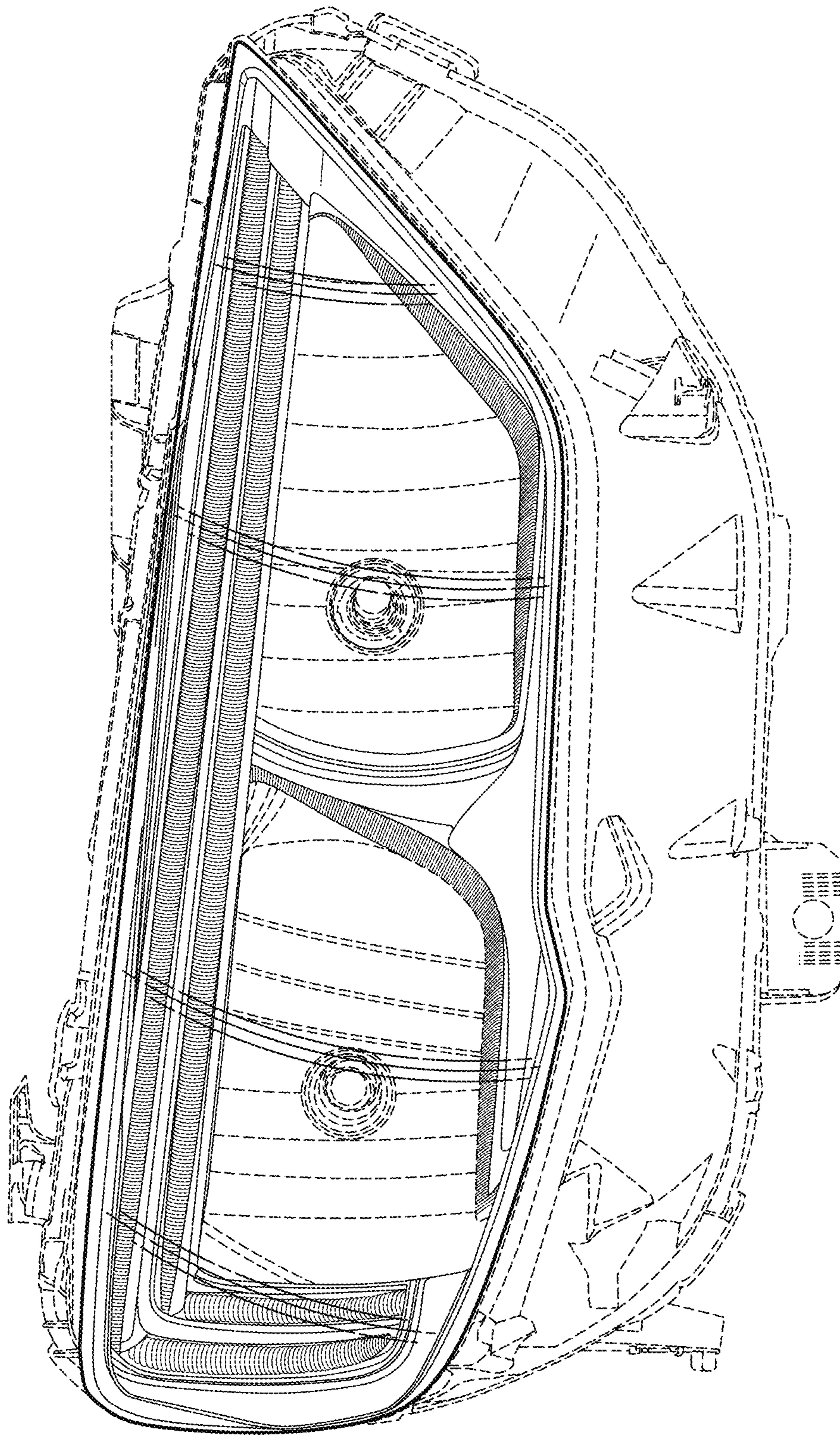


FIG. 1

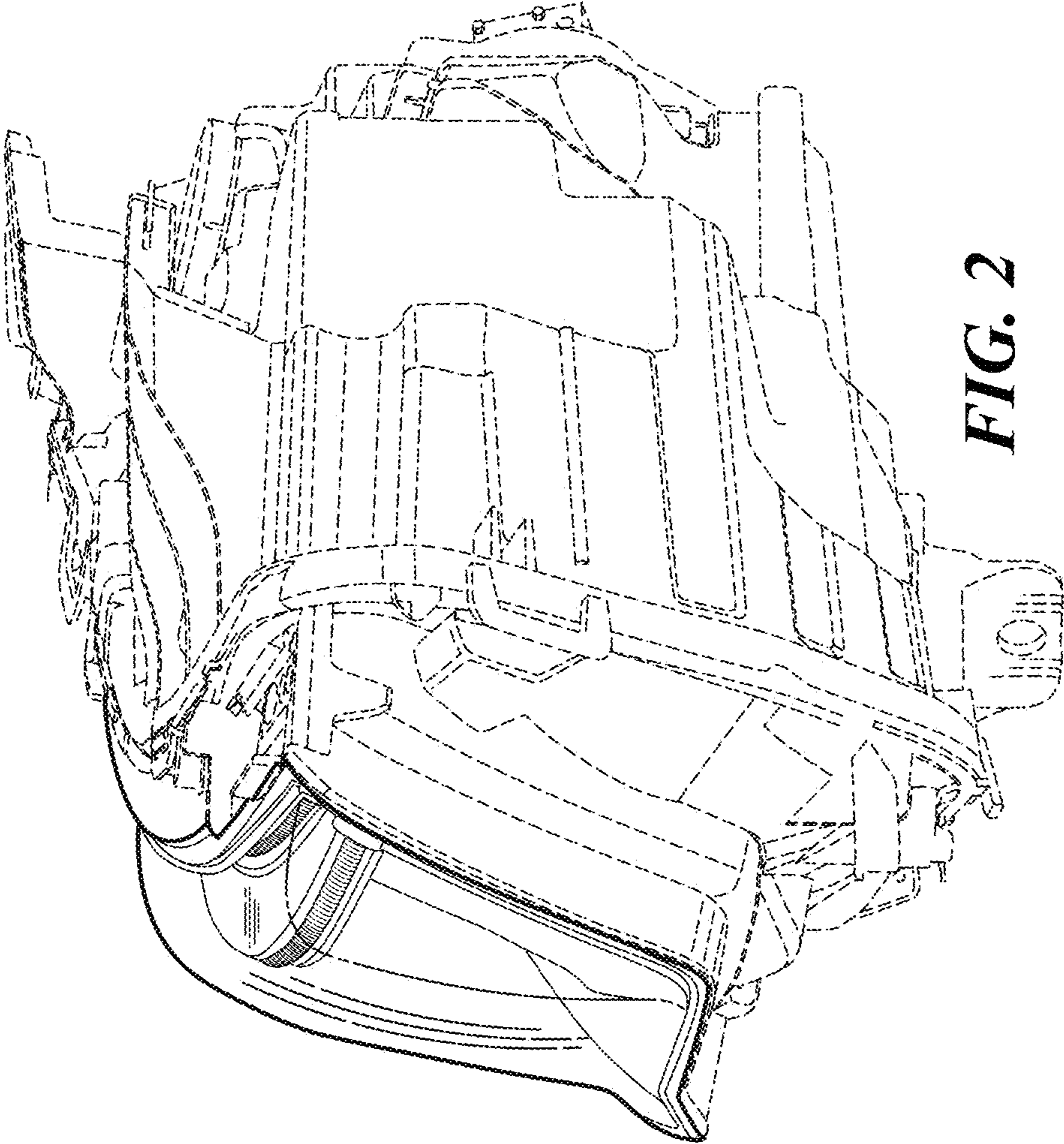


FIG. 2

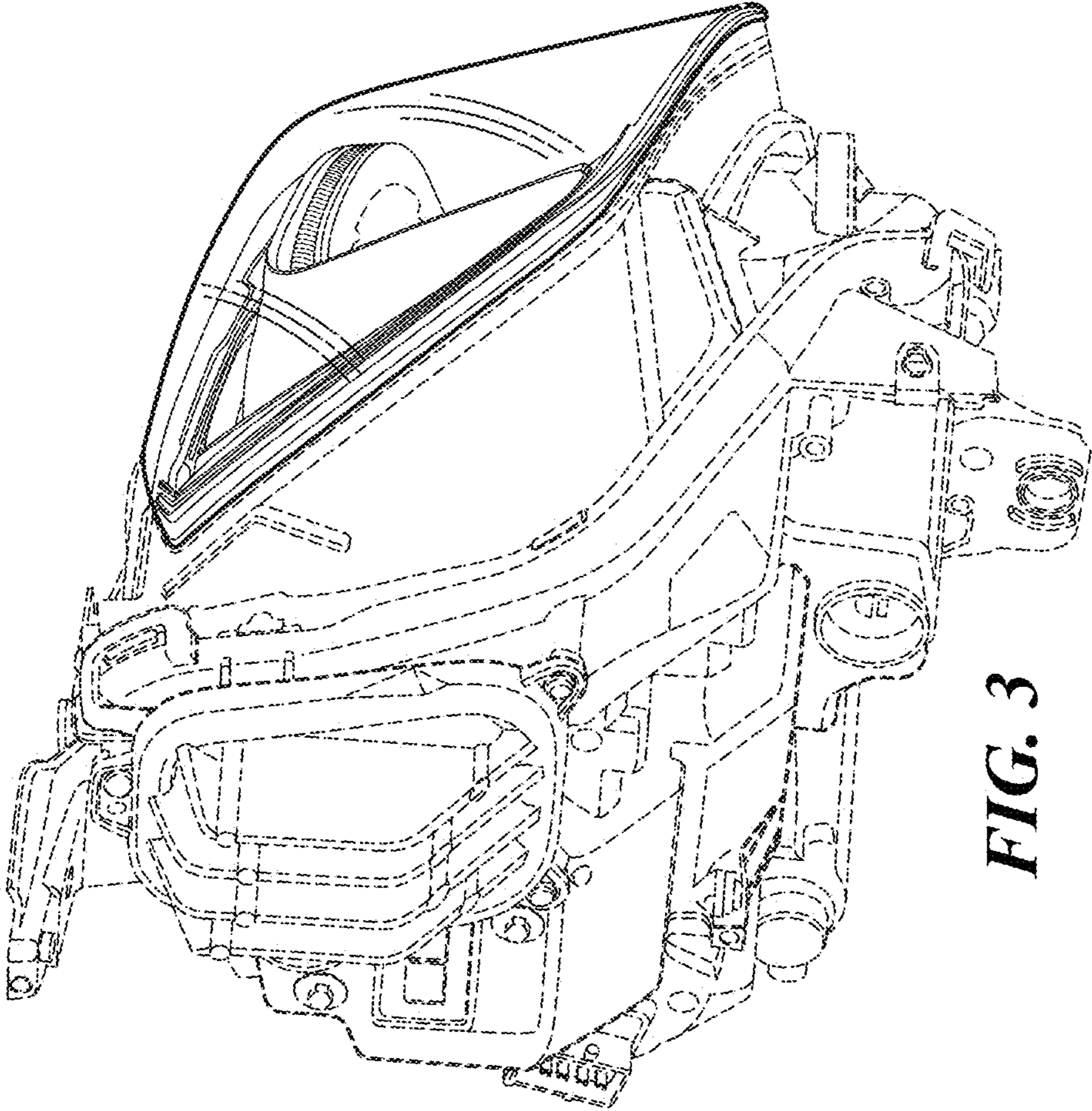


FIG. 3

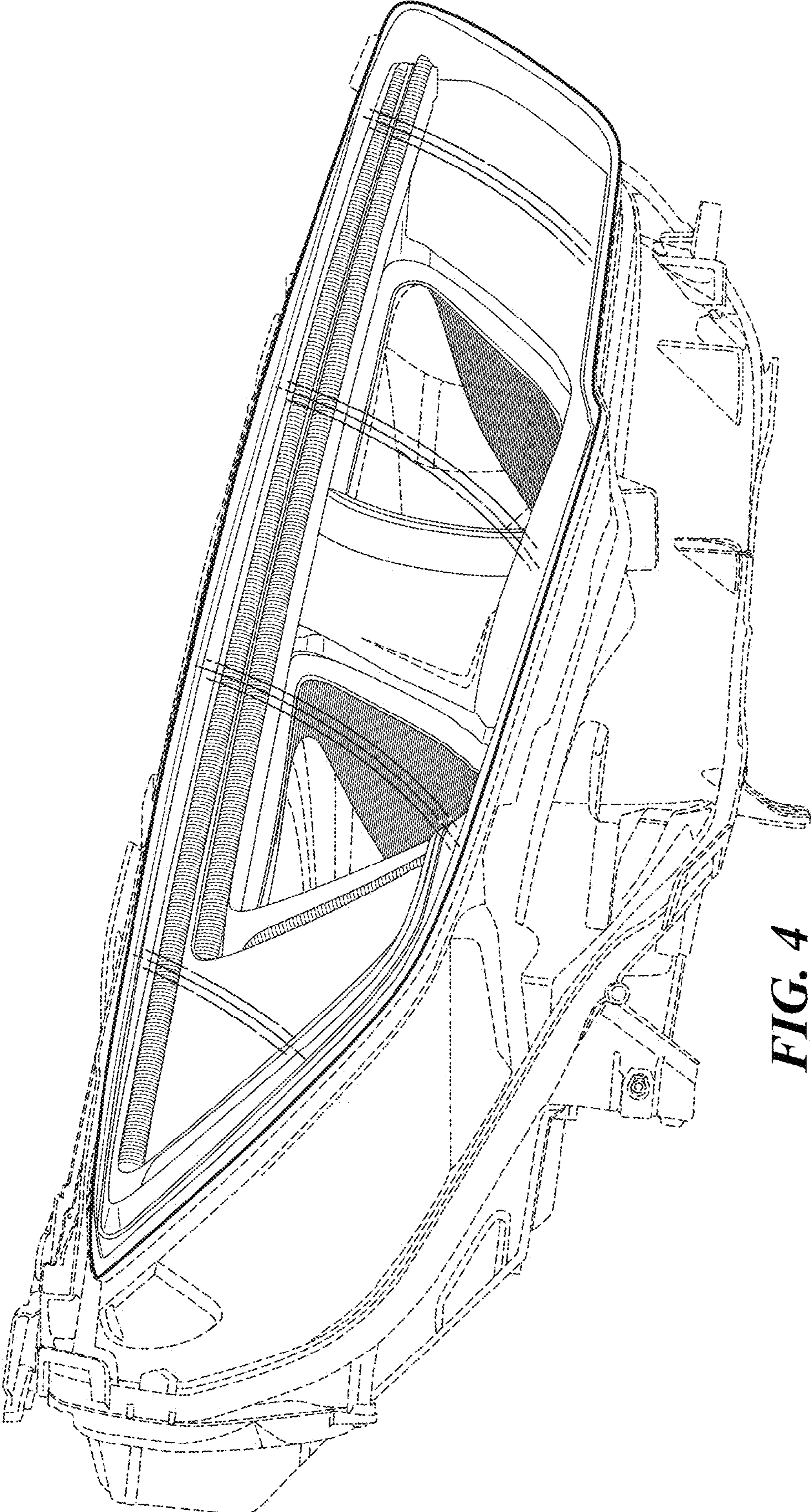


FIG. 4

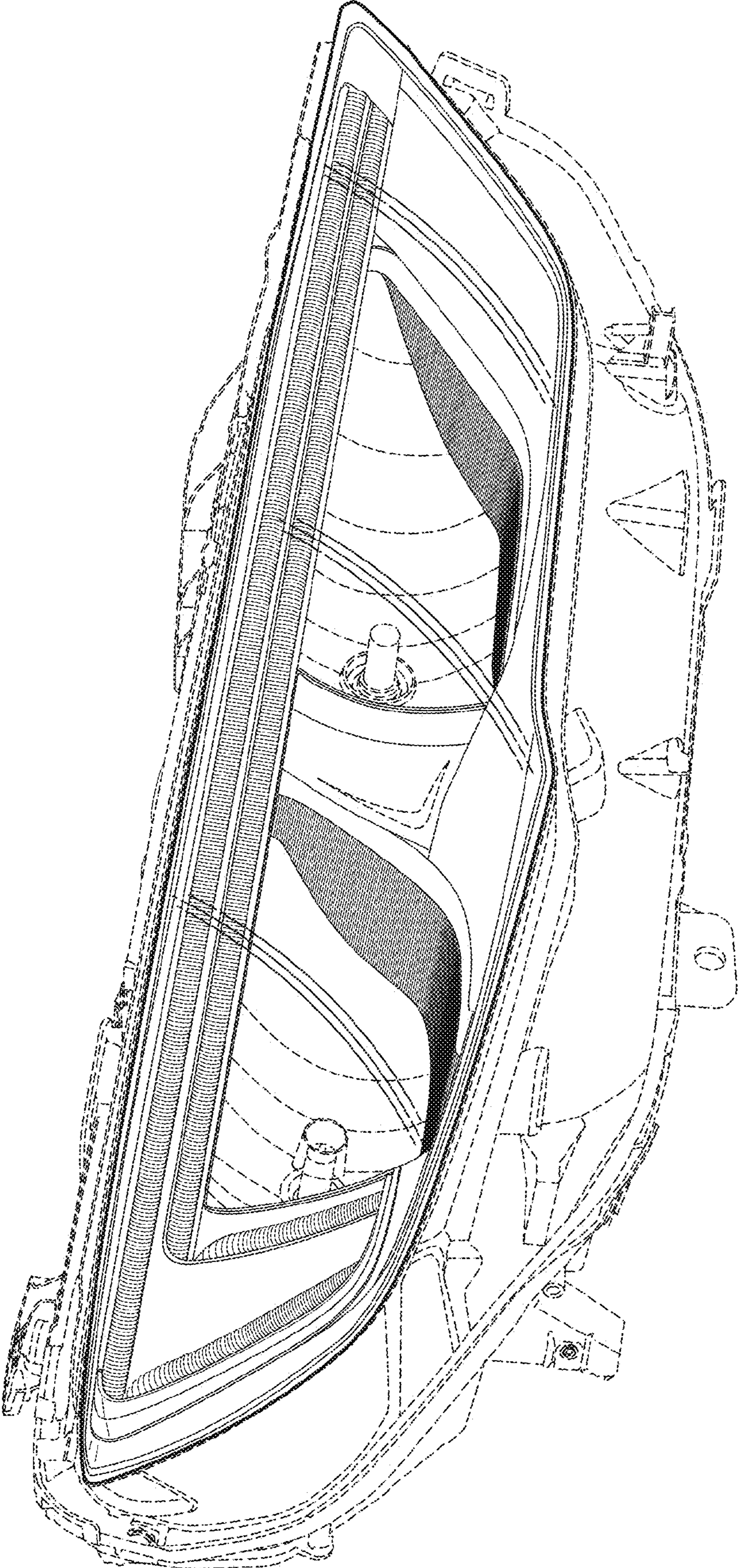


FIG. 5

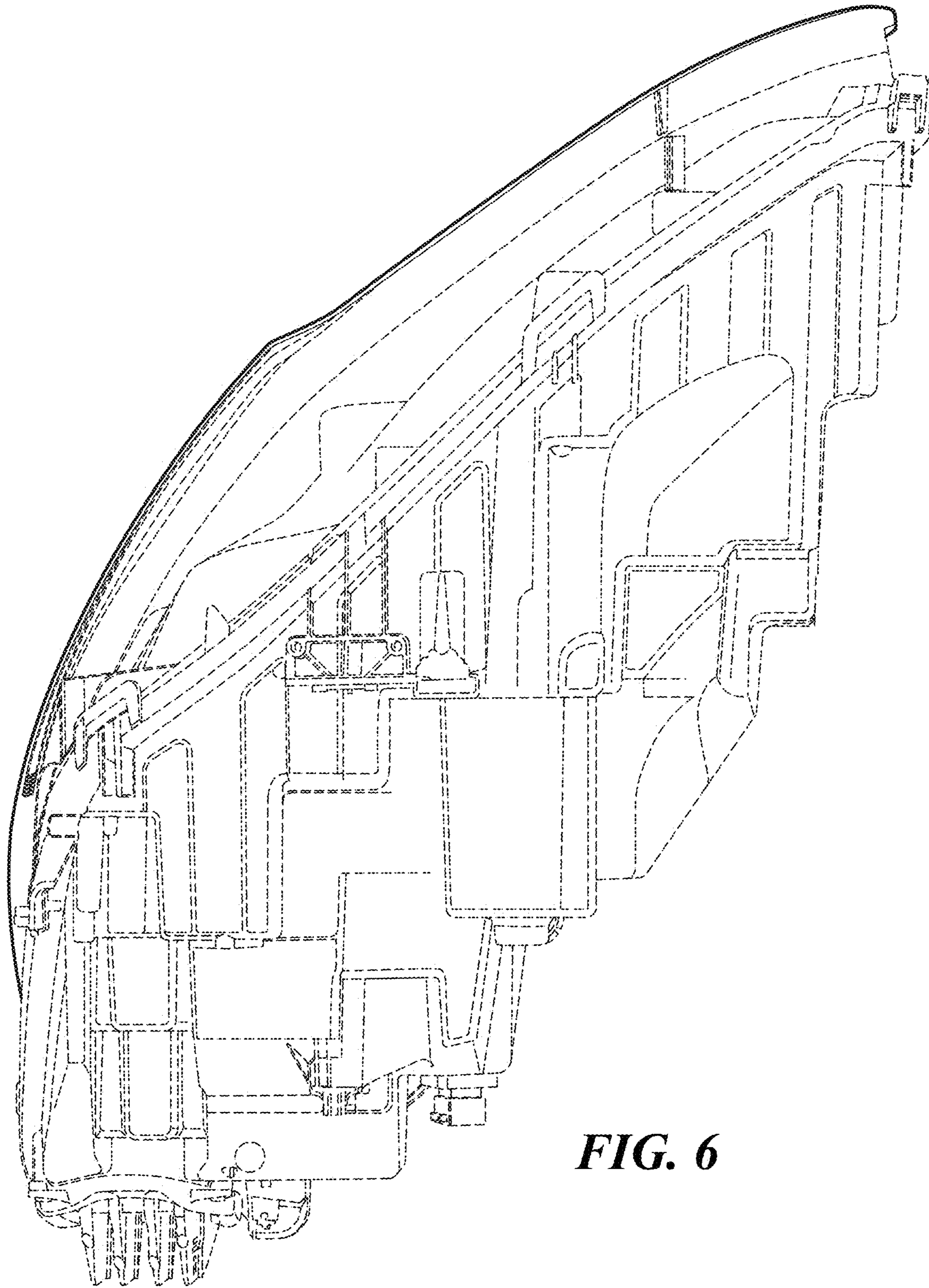


FIG. 6

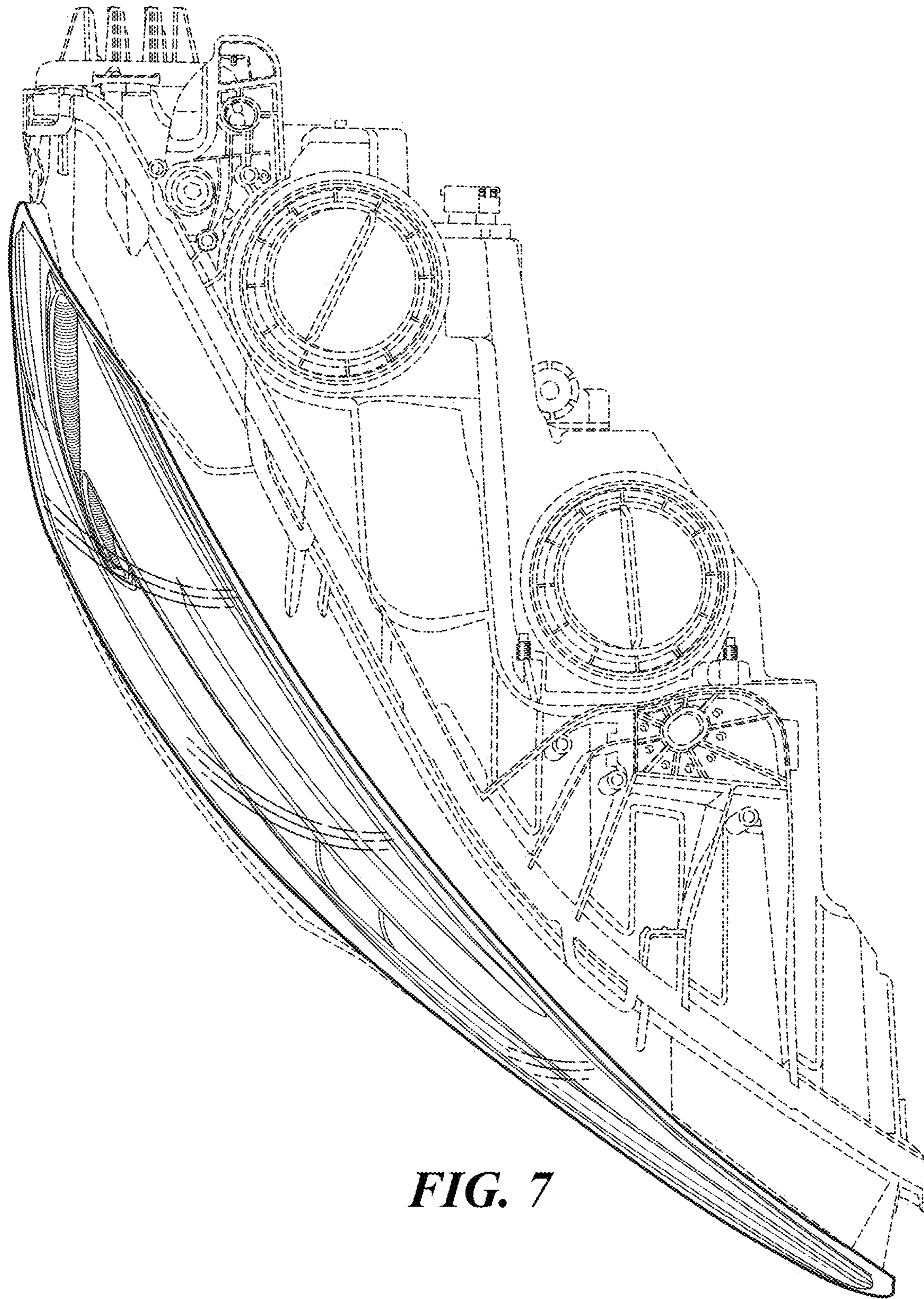


FIG. 7