



US00D868296S

(12) **United States Design Patent** (10) **Patent No.:** **US D868,296 S**
Zombek (45) **Date of Patent:** **** Nov. 26, 2019**

(54) **ARCHITECTURAL METAL BUILDING PANEL**

(71) Applicant: **NCI Group, Inc.**, Houston, TX (US)

(72) Inventor: **Thomas J. Zombek**, Canonsburg, PA (US)

(73) Assignee: **NCI GROUP, INC.**, Houston, TX (US)

(**) Term: **15 Years**

(21) Appl. No.: **29/654,492**

(22) Filed: **Jun. 25, 2018**

Related U.S. Application Data

(62) Division of application No. 29/588,545, filed on Dec. 21, 2016, which is a division of application No. 29/494,091, filed on Jun. 17, 2014, now Pat. No. Des. 778,465, which is a division of application No. 29/434,163, filed on Oct. 10, 2012, now Pat. No. Des. 713,978.

(51) **LOC (12) Cl.** **25-01**

(52) **U.S. Cl.**
USPC **D25/141**

(58) **Field of Classification Search**
USPC D25/138, 139, 140, 141, 144, 163, 119, D25/121, 122, 123, 124, 125; 52/78, 52/311.2, 314, 518-527, 536, 539, 546, 52/578, 588.1, 589.1, 782.1, 783.1, 482, 52/478, 510, 551, 715, 748.11
CPC E04C 2002/004; E04C 2002/005; E04C 2/02; E04C 2/38; E04C 2/40; E04C 2/08; E04C 2/30; E04C 2/322; E04F 13/08; E04F 13/0862; E04F 13/0866; E04F 13/0871; E04F 13/0876; E04F 13/0878; E04F 13/0889; E04F 13/0894; E04F 13/09; E04F 13/0864; E04F 19/022; E04F 2201/0115; E04F 13/165; E04D 1/00; E04D 1/02; E04D 1/06; E04D 1/12; E04D 1/18; E04D 3/00; E04D 3/02;

E04D 3/16; E04D 3/24; E04D 3/30; E04D 3/361; E04D 3/368; E04D 3/362; E04D 3/363; E04D 3/364; E04D 11/02; E04B 1/6141; E04B 2/96; E04B 5/40
See application file for complete search history.

(56) **References Cited**

U.S. PATENT DOCUMENTS

308,826 A 12/1884 Butz
520,371 A 5/1894 Mullins
1,329,794 A 2/1920 Moomaw
(Continued)

OTHER PUBLICATIONS

Cascade Centria (on-line), no date available. Retrieved from Internet Jan. 29, 2019, URL: <https://www.centria.com/products/rainscreens/concealed-fastener-panels/cascade-metal-panels/cc620> (3 pages).
(Continued)

Primary Examiner — Kevin K Rudzinski
Assistant Examiner — Kimberly Barnes
(74) *Attorney, Agent, or Firm* — Foley & Lardner LLP

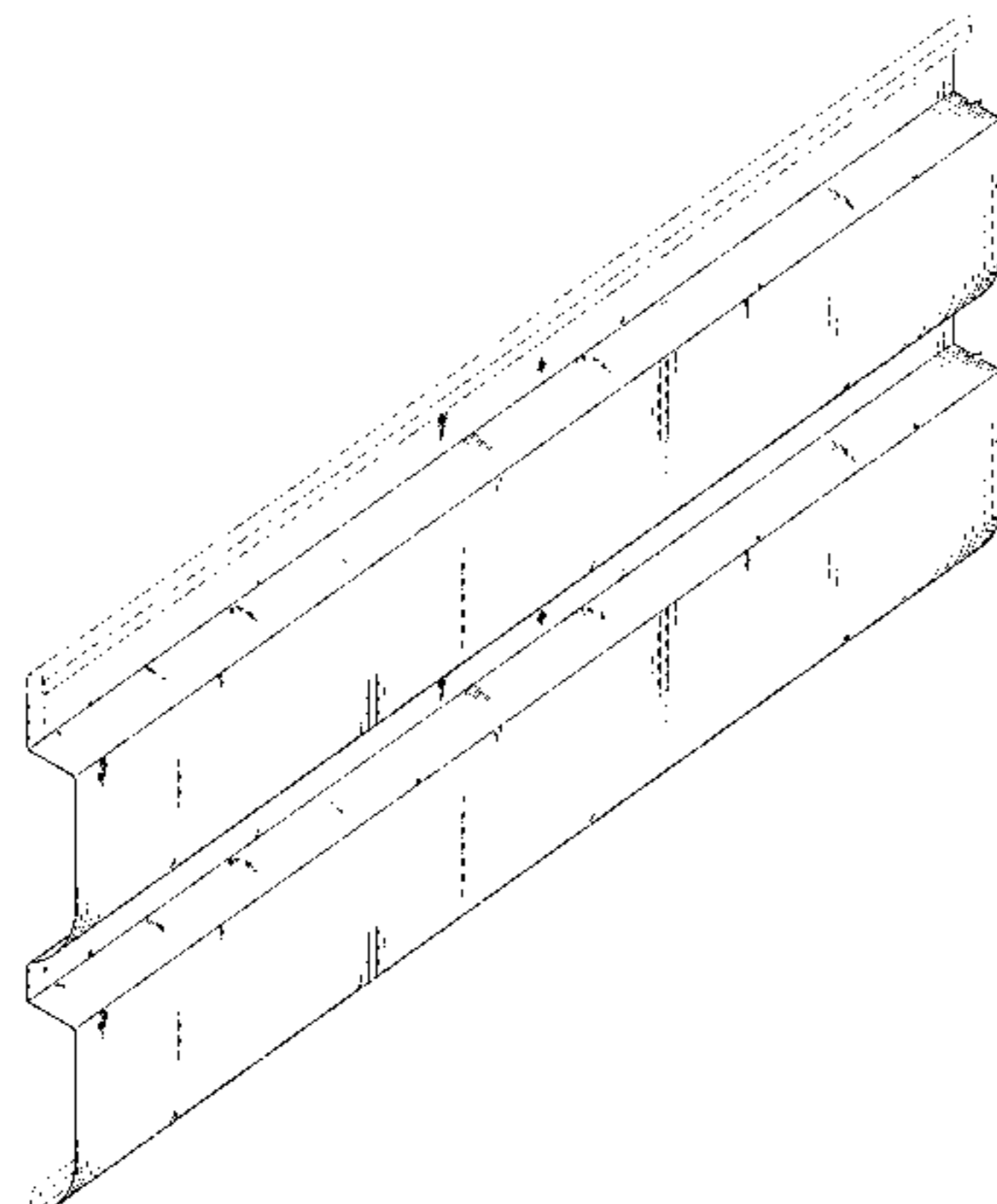
(57) **CLAIM**

The ornamental design for an architectural metal building panel, as shown and described.

DESCRIPTION

FIG. 1 is an upper left front perspective view of an architectural metal building panel showing my new design; FIG. 2 is a left side view thereof; and, FIG. 3 is a front view thereof.
The evenly broken lines in FIGS. 1-3 depict portions of the architectural metal building panel that form no part of the claimed design. The dash-dot-dash lines depict the boundaries of the architectural metal building panel and form no part thereof.

1 Claim, 2 Drawing Sheets



(56)

References Cited

U.S. PATENT DOCUMENTS

2,406,863 A 9/1946 Swann
 2,809,017 A 10/1957 Fou Wong
 3,041,784 A 7/1962 Facer et al.
 3,218,772 A 11/1965 Martin
 3,305,994 A 2/1967 Amrhein et al.
 4,178,731 A 12/1979 Petersson
 4,188,762 A * 2/1980 Tellman E04F 13/16
 52/314
 D259,143 S 5/1981 Aktinson
 4,486,998 A 12/1984 Hague
 4,570,404 A 2/1986 Knudson
 4,651,493 A 3/1987 Carey
 5,465,543 A * 11/1995 Seifert E04F 13/0864
 52/309.8
 5,524,409 A 6/1996 Kaiser
 5,651,227 A 7/1997 Anderson
 5,752,355 A 5/1998 Sahramaa
 5,775,042 A 7/1998 Mowery et al.
 5,875,592 A 3/1999 Allman et al.
 5,911,663 A 6/1999 Eidson
 D421,137 S 2/2000 Marshall
 6,141,932 A 11/2000 Tarrant
 D449,120 S 10/2001 Kulik
 D479,751 S 9/2003 Schofield
 D497,434 S 10/2004 Brabeck
 6,823,799 B2 11/2004 Gleave
 D527,834 S 9/2006 Thimons et al.
 D538,948 S 3/2007 Thimons et al.
 7,186,457 B1 * 3/2007 Zehner C08L 27/06
 428/326
 7,698,865 B2 4/2010 Pringle et al.
 7,856,790 B2 12/2010 Jambois et al.
 7,908,814 B2 * 3/2011 Wilson E04F 13/0864
 52/309.8
 7,954,292 B2 * 6/2011 Holt E04C 2/243
 52/309.8
 7,984,597 B2 7/2011 Mollinger et al.
 3,029,913 A1 10/2011 Mann
 8,069,629 B2 12/2011 Rockwell et al.
 8,091,313 B2 * 1/2012 Wilson E04F 13/007
 52/302.1
 D667,963 S 9/2012 Griffiths
 D668,353 S 10/2012 Griffiths
 D668,354 S 10/2012 Griffiths
 D668,356 S 10/2012 Griffiths
 D668,357 S 10/2012 Griffiths
 D677,401 S 3/2013 Griffiths
 D677,402 S 3/2013 Griffiths
 D677,403 S 3/2013 Griffiths
 D677,404 S 3/2013 Griffiths
 D679,834 S 4/2013 Griffiths
 D687,976 S 8/2013 Griffiths
 D687,977 S 8/2013 Griffiths
 D690,442 S 9/2013 Griffiths
 D690,838 S 10/2013 Griffiths
 D698,046 S 1/2014 Griffiths
 8,621,810 B2 1/2014 Manser et al.
 D698,944 S 2/2014 Griffiths
 D698,946 S 2/2014 Griffiths
 D698,947 S 2/2014 Griffiths
 D700,364 S 2/2014 Griffiths
 D700,365 S 2/2014 Griffiths

D700,366 S 2/2014 Griffiths
 D704,862 S 5/2014 Boccuzzi et al.
 8,756,892 B2 * 6/2014 Wilson E04F 13/007
 52/302.3
 D713,978 S 9/2014 Zombek
 D732,701 S 6/2015 Griffiths
 D733,328 S 6/2015 Griffiths
 D733,329 S 6/2015 Griffiths
 D734,501 S 7/2015 Bodwell et al.
 D734,502 S 7/2015 Bodwell et al.
 D735,355 S 7/2015 Bodwell et al.
 9,091,078 B2 * 7/2015 Desch nes E04F 13/0803
 D736,953 S 8/2015 Griffiths
 D736,962 S 8/2015 Bodwell et al.
 D750,278 S * 2/2016 Bodwell D25/119
 D778,465 S 2/2017 Zombek
 2004/0003566 A1 1/2004 Sicuranza
 2005/0193674 A1 * 9/2005 Hatkoff E04F 13/0864
 52/561
 2010/0205883 A1 8/2010 Carson
 2017/0089077 A1 * 3/2017 Olvey E04F 13/0864

OTHER PUBLICATIONS

ATAS, Inc., BKR 160 Panel, 2002, 3 pages.
 Centria, FWDS 59 Panel, 2002, 4 pages.
 Centria, IW 60A Panel, 1996, 2 pages.
 ATAS, Inc., MPH 080 Panel, 2000, 6 pages.
 ATAS, Inc., MPS 120 Panel, 2000, 6 pages.
 "Commercial & Industrial Metal Wall Systems," Robertson Product Brochure, 1994, 16 pages.
 Firestone Building Products Delta CFP-162C (on-line), dated Apr. 26, 2013. Retrieved from Internet Sep. 30, 2016, URL: <https://web.archive.org/web/20130426150101/http://firestonebpc.com/wall/profile-panels/concealed-fastener-panels/delta-cfp-162c/> (2 pages).
 Parkpanel Metal Cladding (on-line), dated Jul. 6, 2012. Retrieved from Internet Sep. 30, 2016, URL: http://parkpanels.en.ec21.com/Metal_Cladding--6856293.html (2 pages).
 Pacific Erectors Centria Concept Series Wall Panel Systems (on-line), dated Sep. 1, 2015. Retrieved from Internet Sep. 30, 2016, URL: <https://web.archive.org/web/20150901124618/http://www.pacificerectors.com/centria-concept-series-metal-wall-panels/> (2 pages).
 Cascade—Centria (online), no date available. Retrieved from Internet Apr. 13, 2018, URL: <https://www.centria.com/products/rainscreens/concealed-fastener-panels/cascade-metal-panels/> (6 pages).
 Cascade Metal Panel System—YouTube (online), dated Oct. 21, 2013. Retrieved from Internet Apr. 13, 2018, URL: <https://www.youtube.com/watch?v=XG4nRBSLuhg> (1 page).
 Cascade Horizontal/Vertical Metal Panels CC-662 Centra (online), dated Aug. 4, 2016. Retrieved from Internet Apr. 13, 2018, URL: <https://bimobject.com/en-us/centria/product/centria-662> (2 pages).
 ATAS International, Inc. v. Centria, Inter Partes Case IPR2013-00259 Re Patent D527834 S, Decision Denying Institution of Inter Partes Review, 37 C.F.R. § 42.108, Entered Sep. 24, 2013, 24 pgs.
 Design U.S. Appl. No. 29/588,545, Non-Final Office Action, dated Sep. 20, 2018, 6 pgs.
 Design U.S. Appl. No. 29/588,545, Notice of Allowance, dated May 31, 2019, 5 pgs.
 Design U.S. Appl. No. 29/588,545, Notice of Allowance dated Jun. 25, 2019, 6 pgs.

* cited by examiner

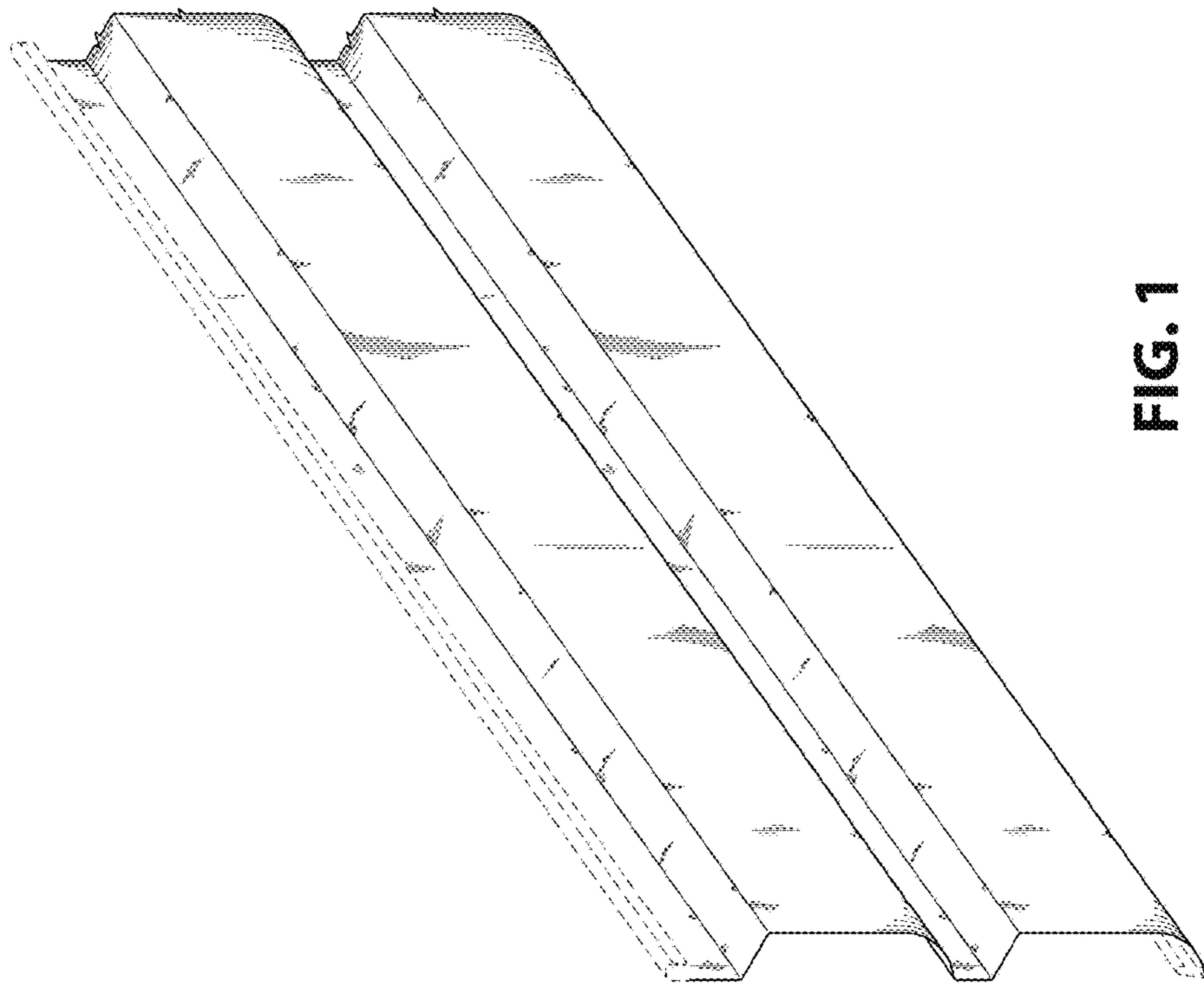


FIG. 1

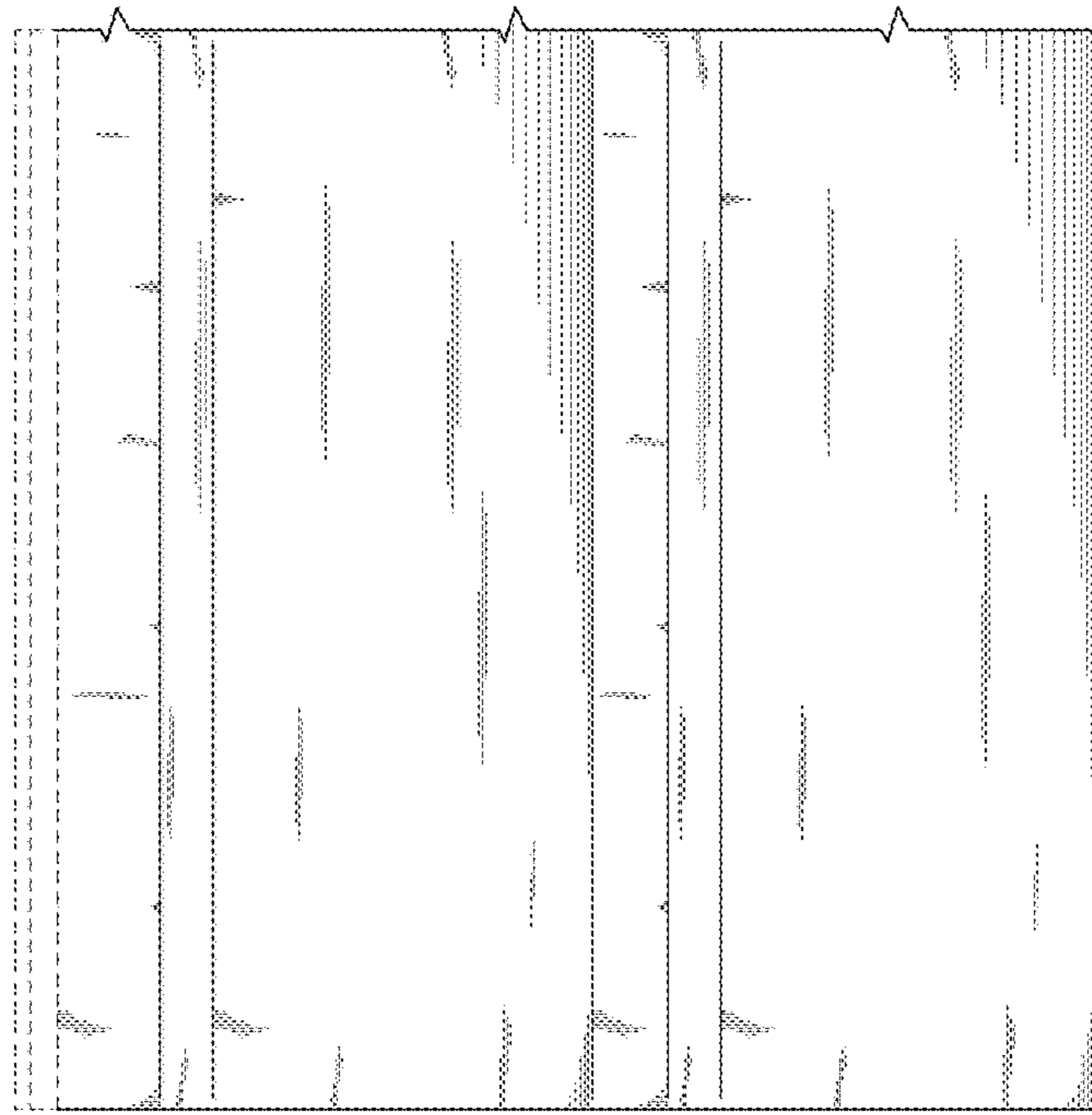


FIG. 3



FIG. 2