



US00D868293S

(12) **United States Design Patent** (10) **Patent No.:** **US D868,293 S**
Sonneman (45) **Date of Patent:** **** Nov. 26, 2019**

(54) **LIGHT TRIM**

(56) **References Cited**

(71) Applicant: **Contemporary Visions, LLC**,
Larchmont, NY (US)

U.S. PATENT DOCUMENTS

(72) Inventor: **Robert A. Sonneman**, Mamaroneck,
NY (US)

D328,650 S *	8/1992	Jones	D26/85
D425,655 S *	5/2000	Dolan	D26/142
D516,235 S *	2/2006	Rashidi	D26/138
D737,497 S *	8/2015	Burgess	D26/113
D789,597 S *	6/2017	Wallach	D26/138
D800,958 S *	10/2017	Sonneman	D26/138
D818,632 S *	5/2018	Kotovsky	D26/118
D830,620 S *	10/2018	Sonneman	D26/118

(73) Assignee: **Contemporary Visions, LLC**,
Larchmont, NY (US)

* cited by examiner

(**) Term: **15 Years**

Primary Examiner — Brian N. Vinson

(21) Appl. No.: **29/672,261**

(74) *Attorney, Agent, or Firm* — Gottlieb, Rackman &
Reisman, P.C.

(22) Filed: **Dec. 4, 2018**

(51) **LOC (12) Cl.** **26-03**

(57) **CLAIM**

(52) **U.S. Cl.**

The ornamental design for a light trim, as shown and
described.

USPC **D25/113**

DESCRIPTION

(58) **Field of Classification Search**

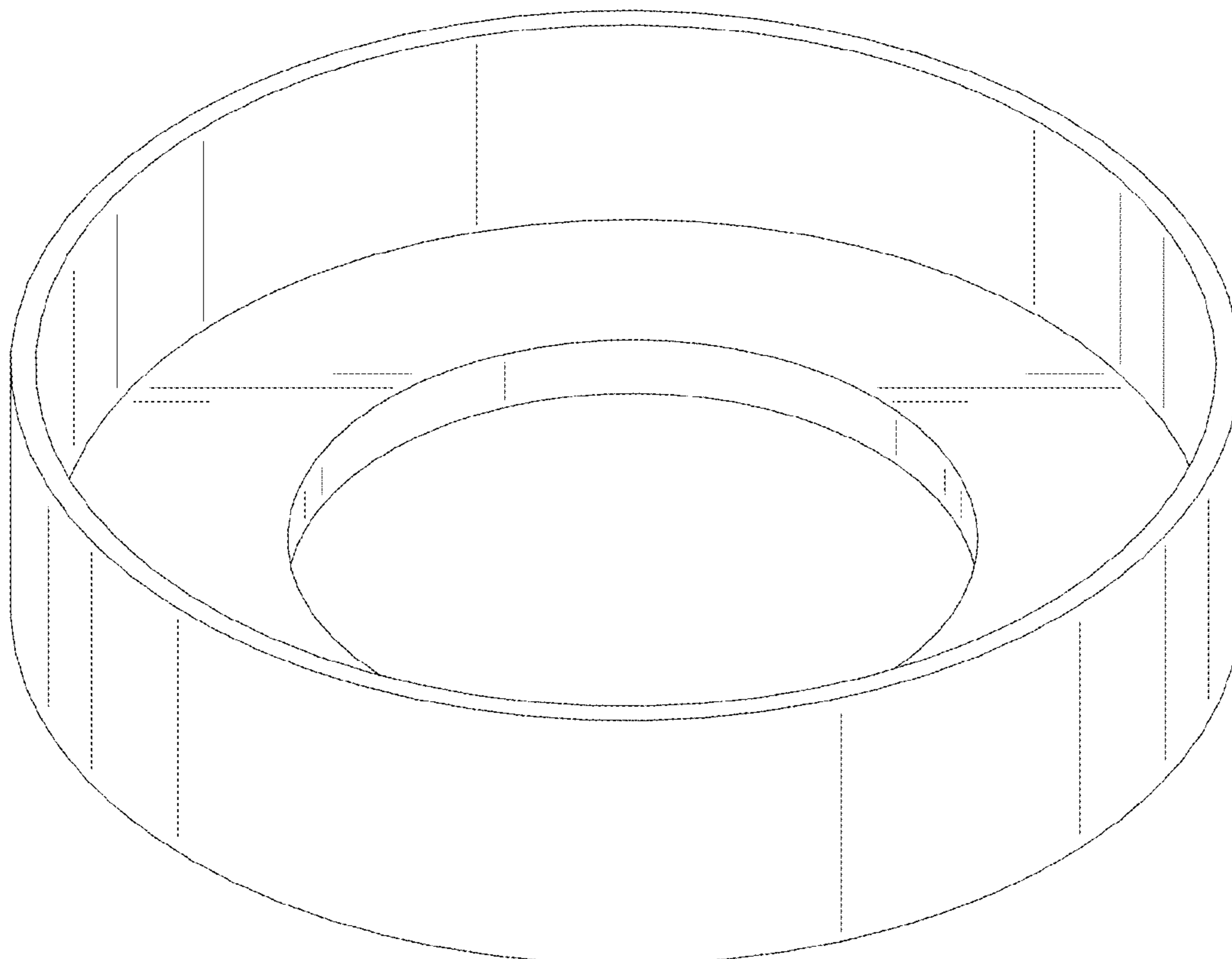
USPC D26/76, 80-82, 84-85, 88, 90, 93, 110,
D26/113, 118, 120, 124, 128, 131, 141,
D26/142, 149, 138

CPC F21S 2/00; F21S 4/00; F21S 4/003; F21S
4/005; F21S 4/006; F21S 4/007; F21S
4/008; F21S 6/00; F21S 8/00; F21S
8/024; F21S 8/026; F21S 8/031; F21S
8/033; F21S 8/035-037; F21S 8/04; F21S
8/043; F21S 8/063

FIG. 1 is a perspective view of an light trim for a light
system showing my new design;
FIG. 2 is a first side elevational view thereof;
FIG. 3 is a second side elevational view thereof;
FIG. 4 is a third side elevational view thereof;
FIG. 5 is a fourth side elevational view thereof;
FIG. 6 is a top plan view thereof; and,
FIG. 7 is a bottom plan view thereof.

See application file for complete search history.

1 Claim, 5 Drawing Sheets



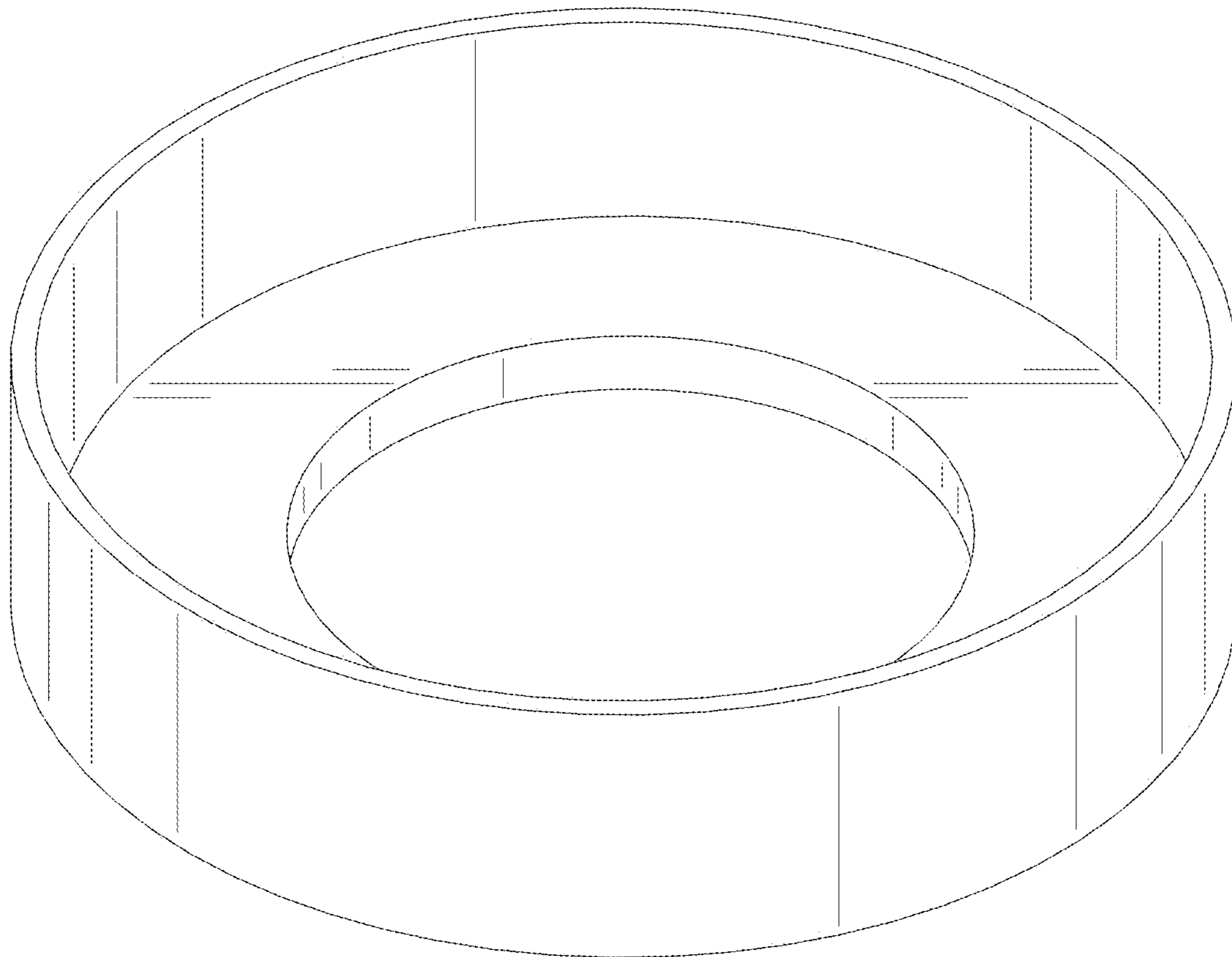


FIG. 1



FIG. 2



FIG. 3



FIG. 4



FIG. 5

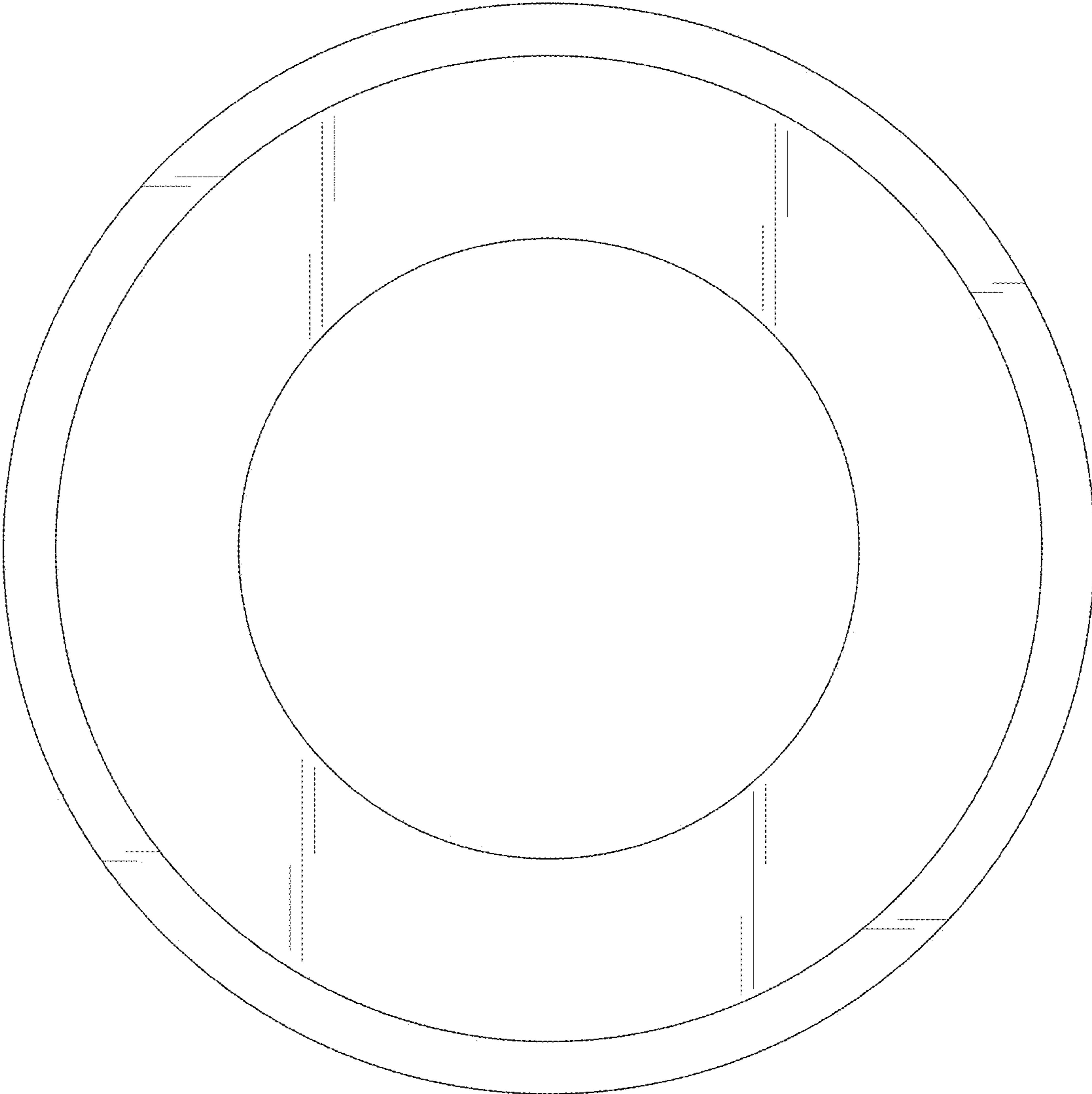


FIG. 6

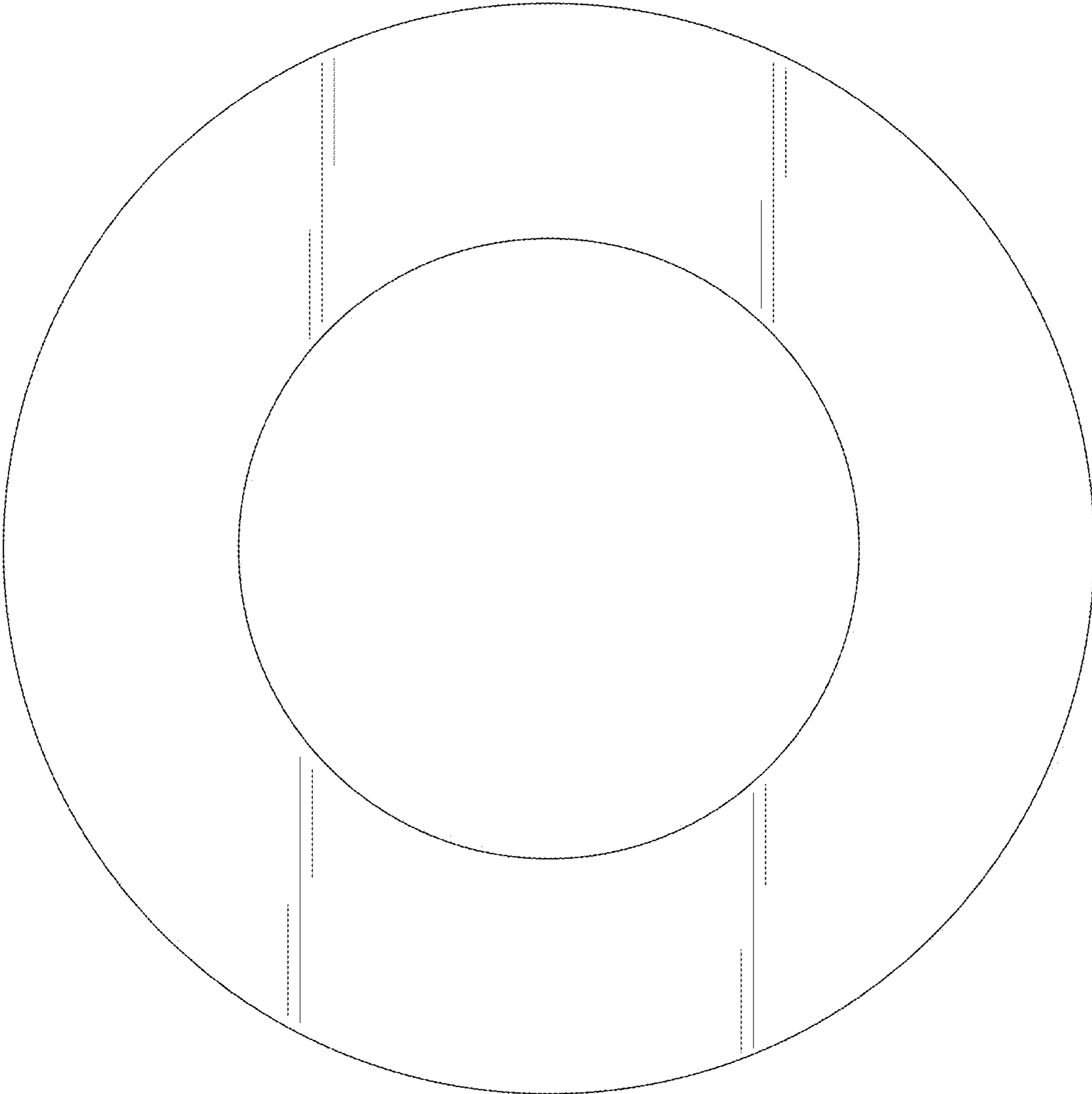


FIG. 7