



US00D868290S

(12) **United States Design Patent** (10) **Patent No.:** **US D868,290 S**
Menon et al. (45) **Date of Patent:** **** Nov. 26, 2019**

(54) **SHELF SYSTEM**

D778,073 S * 2/2017 Sandgrund D6/327
D812,770 S * 3/2018 Menon D24/232
D818,605 S * 5/2018 Menon D24/232

(71) Applicant: **Medtronic, Inc.**, Minneapolis, MN
(US)

(72) Inventors: **Kanjimpuredathil Muralikrishna Menon**, Bangalore (IN); **Kaustubh R. Patil**, Bangalore (IN); **Mahesh Parameswaran**, Bangalore (IN); **Ramkumar Jeyachandran**, Bangalore (IN); **Rohit Kumar Narula**, Dehra Dun (IN)

(73) Assignee: **Medtronic, Inc.**, Minneapolis, MN
(US)

(**) Term: **15 Years**

(21) Appl. No.: **29/643,593**

(22) Filed: **Apr. 10, 2018**

OTHER PUBLICATIONS

U.S. Appl. No. 29/635,419; Top for a Dialysis Recharger Cabinet; Menon; filed Jan. 31, 2018.

U.S. Appl. No. 29/644,514; Dialysis Recharger Cabinet; Menon; filed Apr. 18, 2018.

* cited by examiner

Primary Examiner — Wan Laymon

Assistant Examiner — Mark Booker

(74) *Attorney, Agent, or Firm* — Kenneth Collier; Roger Hahn

(57) **CLAIM**

The ornamental design for a shelf system, as shown and described.

DESCRIPTION

FIG. 1 is a second perspective view of the door for a dialysis recharger cabinet;

FIG. 2 is a front view of the second perspective thereof;

FIG. 3 is a rear view of the second perspective thereof;

FIG. 4 is a left side view of the second perspective view thereof;

FIG. 5 is a right side view of the second perspective view thereof;

FIG. 6 is a top view of the second perspective view thereof;

FIG. 7 is a bottom view of the second perspective view thereof;

FIG. 8 is a cross-sectional view taken along lines 8-8 from FIG. 2 of the lower portion of the door thereof; and,

FIG. 9 is a cross-sectional view taken along lines 9-9 from FIG. 2 of the higher portion of the door thereof.

The elements shown in broken lines are for illustrative purposes only and form no part of the claimed design.

Related U.S. Application Data

(62) Division of application No. 29/564,759, filed on May 16, 2016, now Pat. No. Des. 817,512.

(51) **LOC (12) Cl.** **24-00**

(52) **U.S. Cl.**
USPC **D24/232**

(58) **Field of Classification Search**

USPC D24/232, 170-171, 177, 185-186, 184,
D24/231, 169; D6/663-664, 703, 703.1,
D6/703.5, 705.1, 327

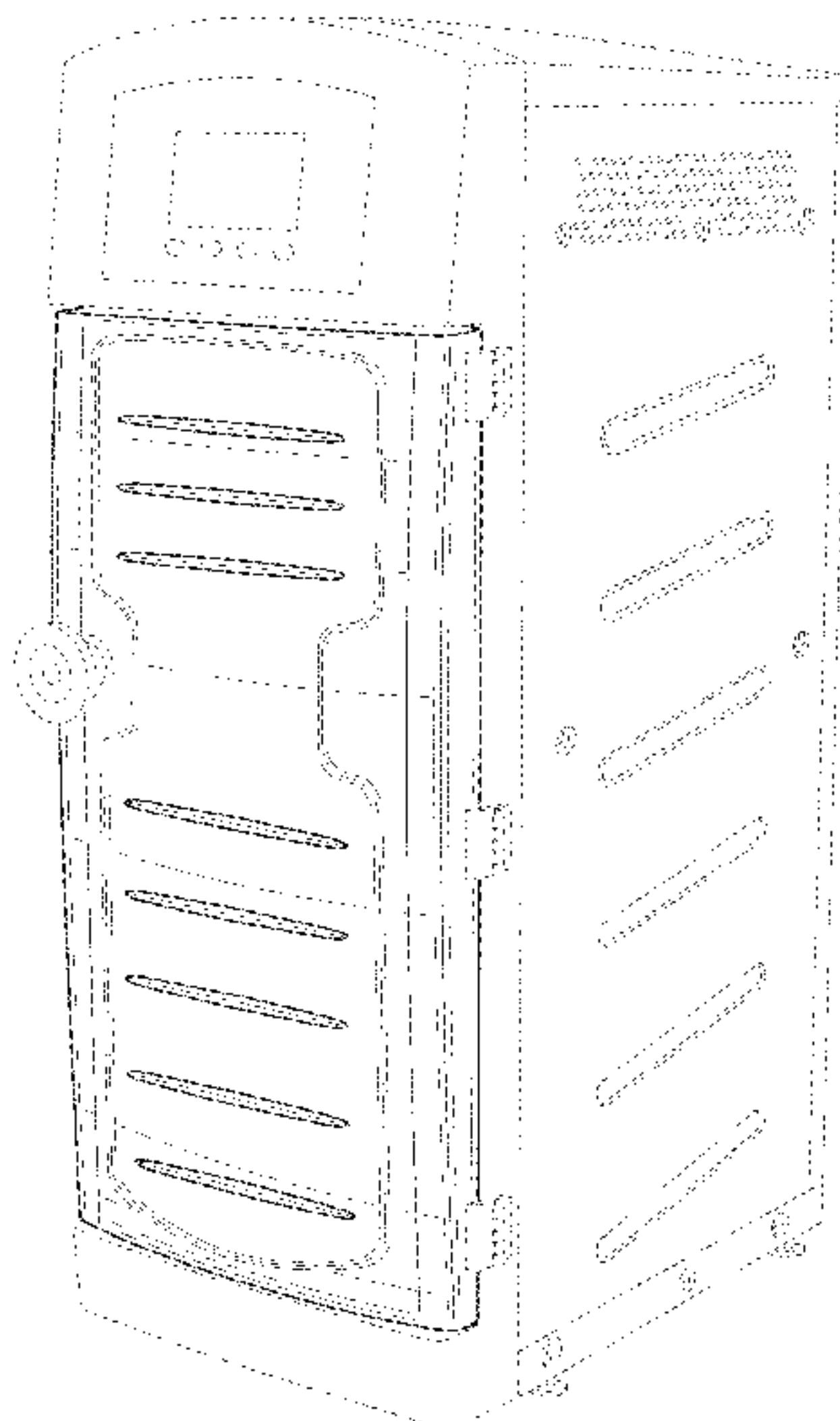
CPC A61L 2/04; B01D 15/08
See application file for complete search history.

(56) **References Cited**

U.S. PATENT DOCUMENTS

D714,456 S * 9/2014 Lura D24/185
D721,815 S * 1/2015 Lura D24/185
D777,932 S * 1/2017 Lura D24/185

1 Claim, 9 Drawing Sheets



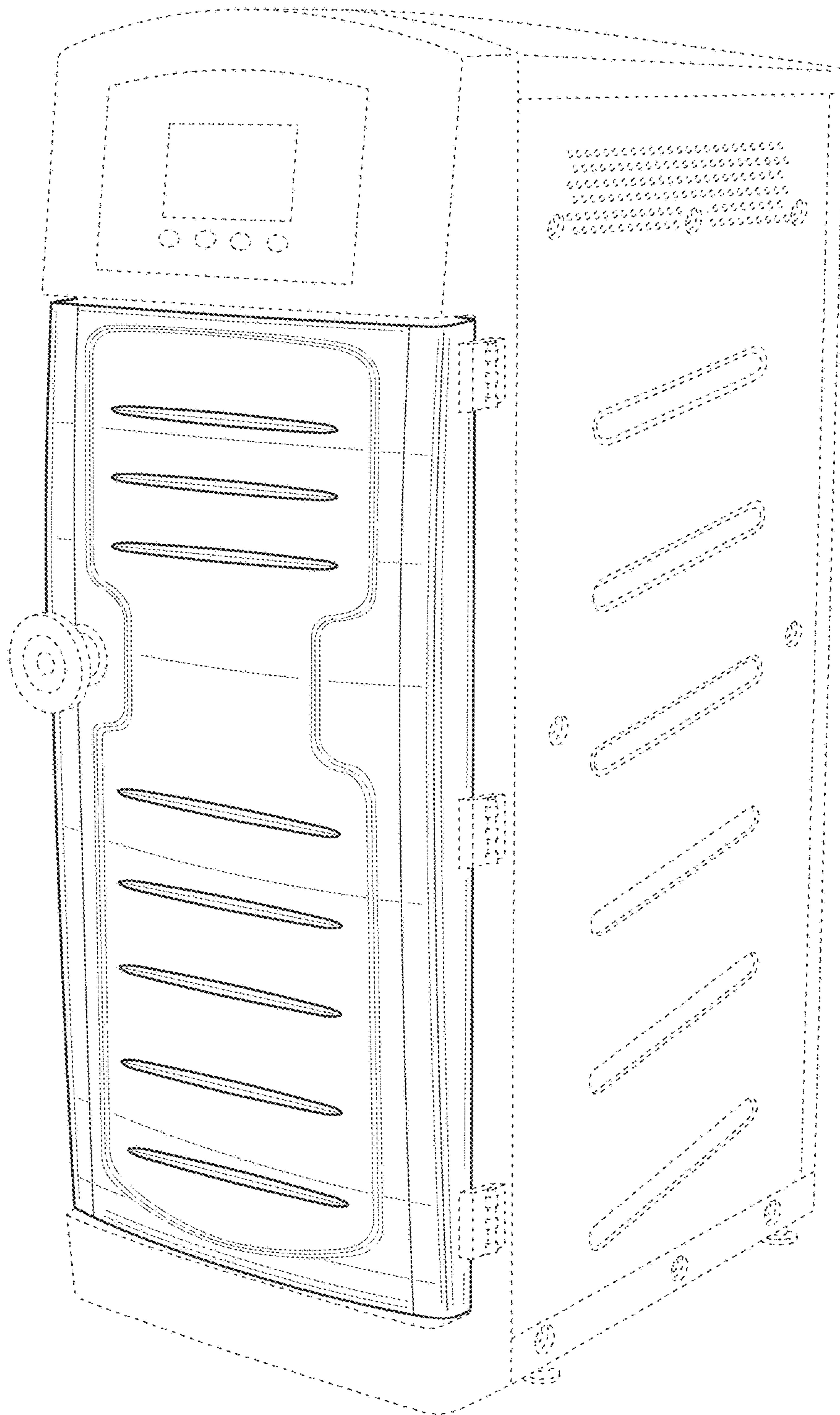


FIG. 1

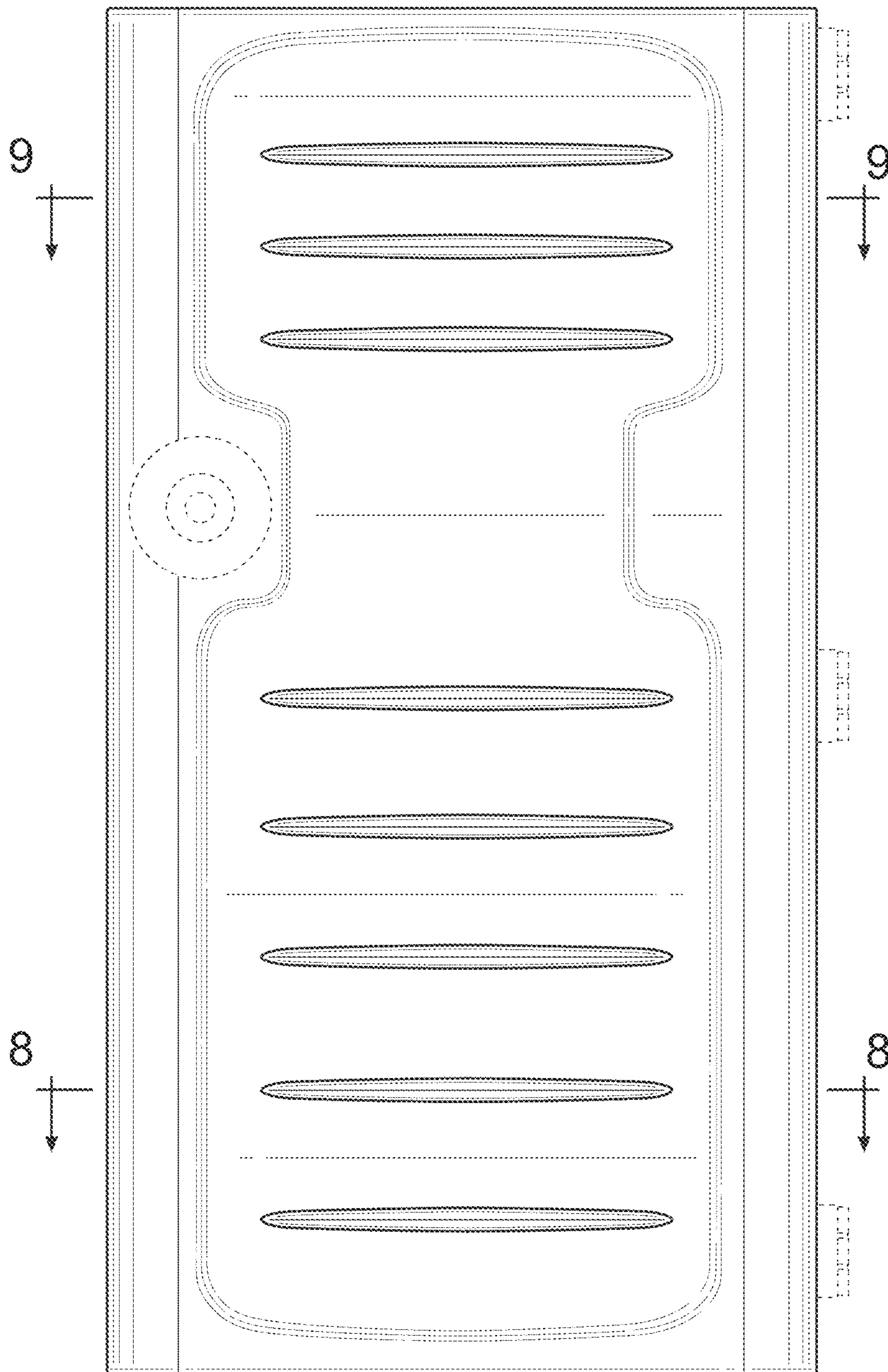


FIG. 2

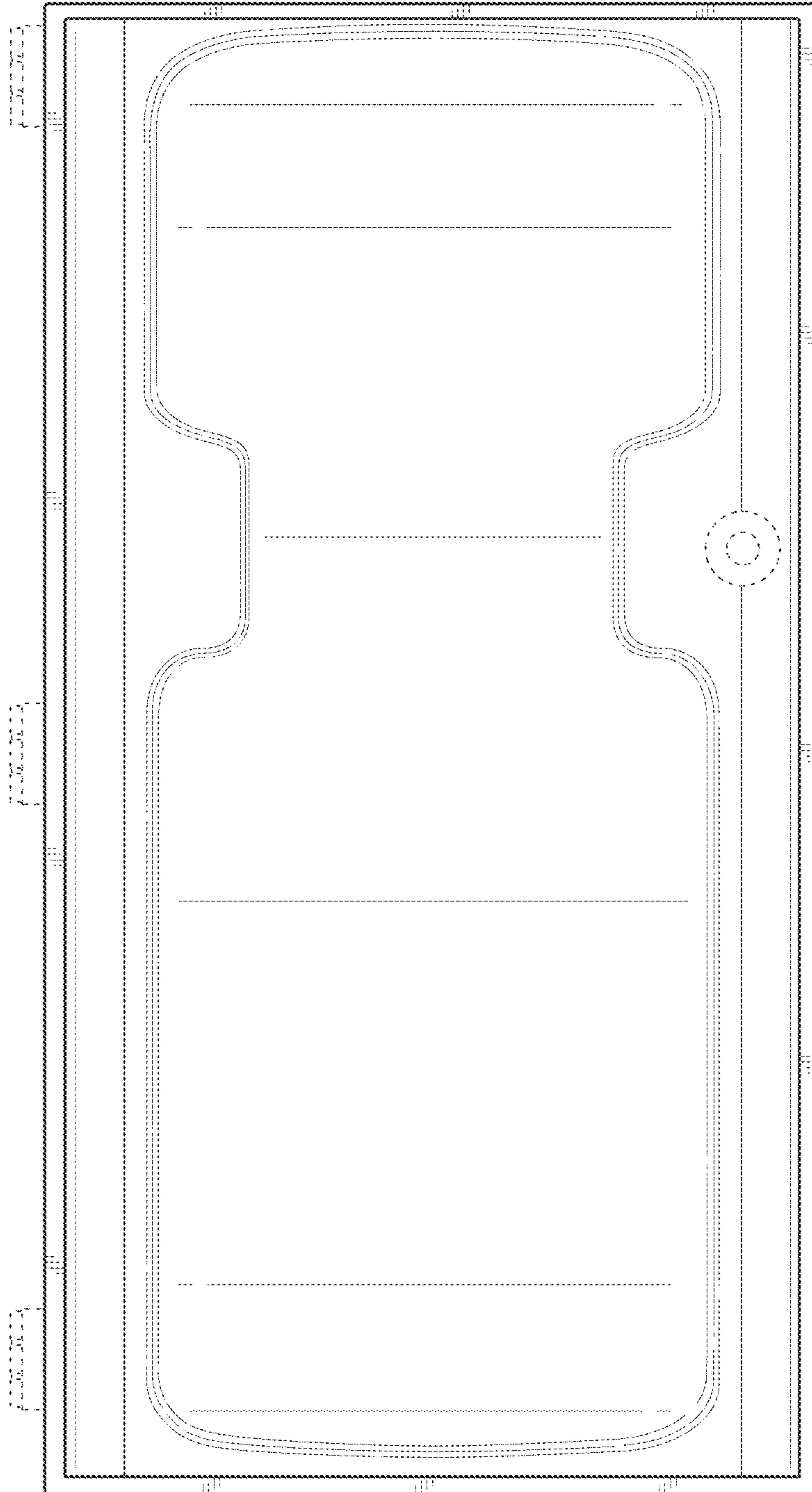


FIG. 3

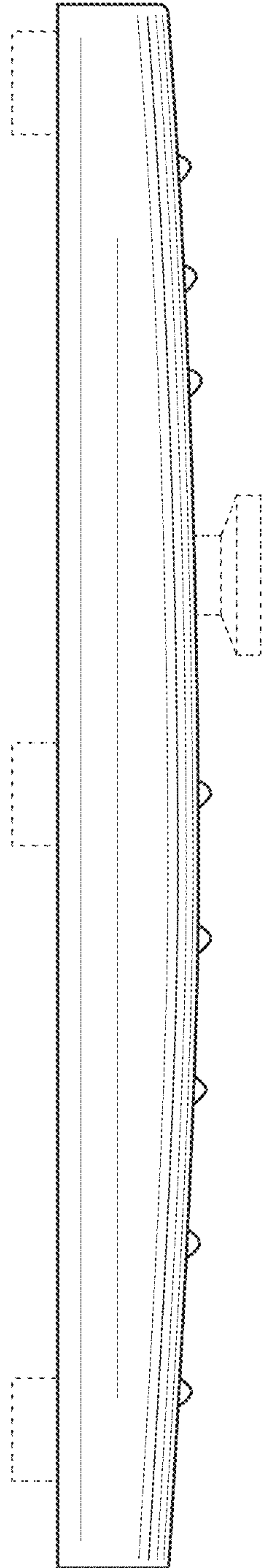


FIG. 4

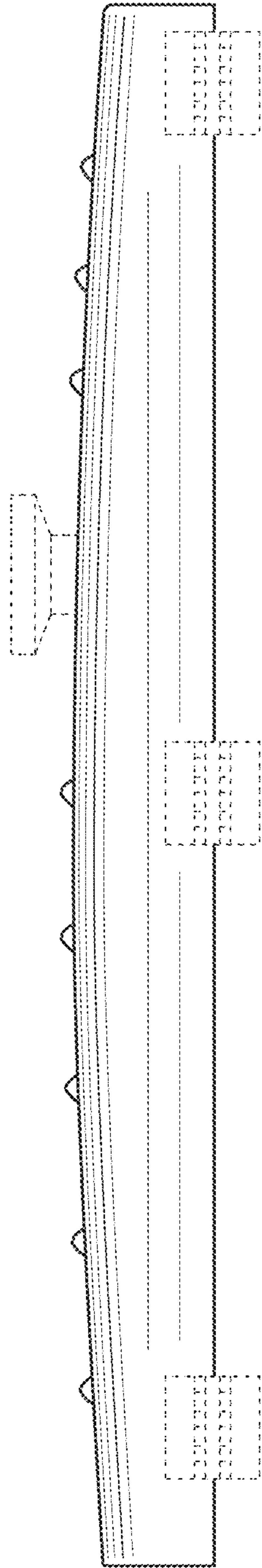


FIG. 5

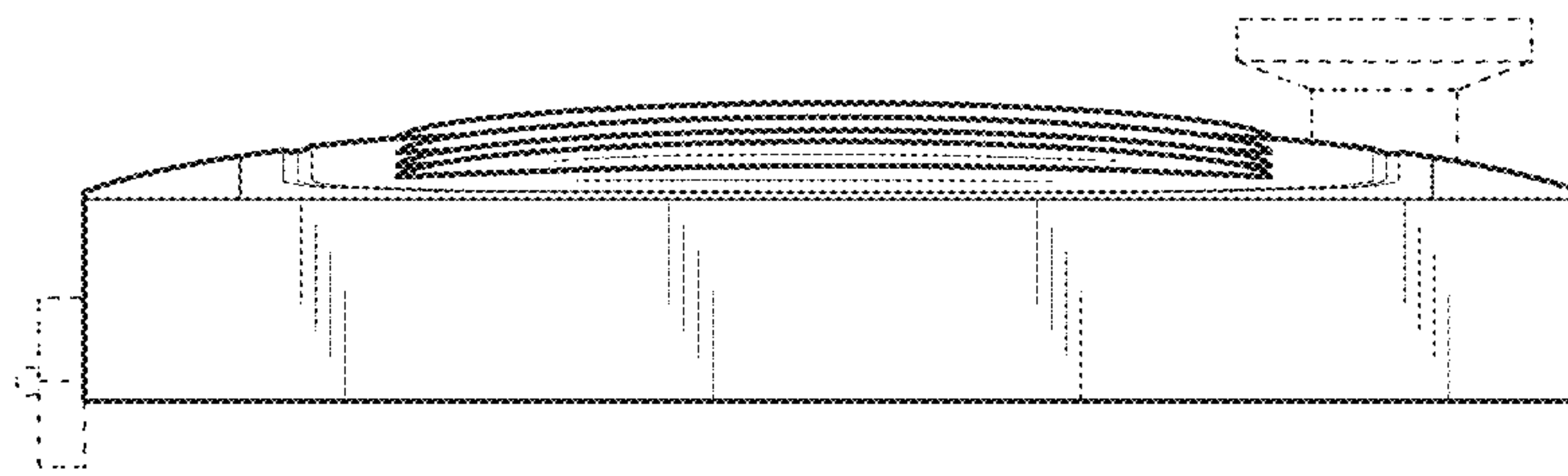


FIG. 6

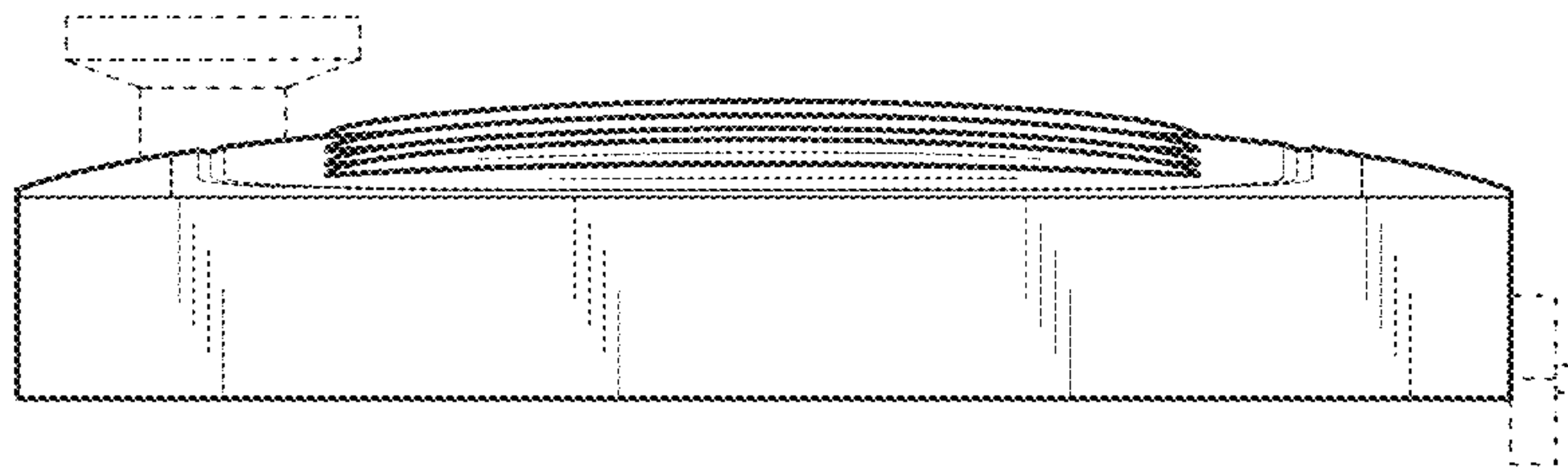


FIG. 7

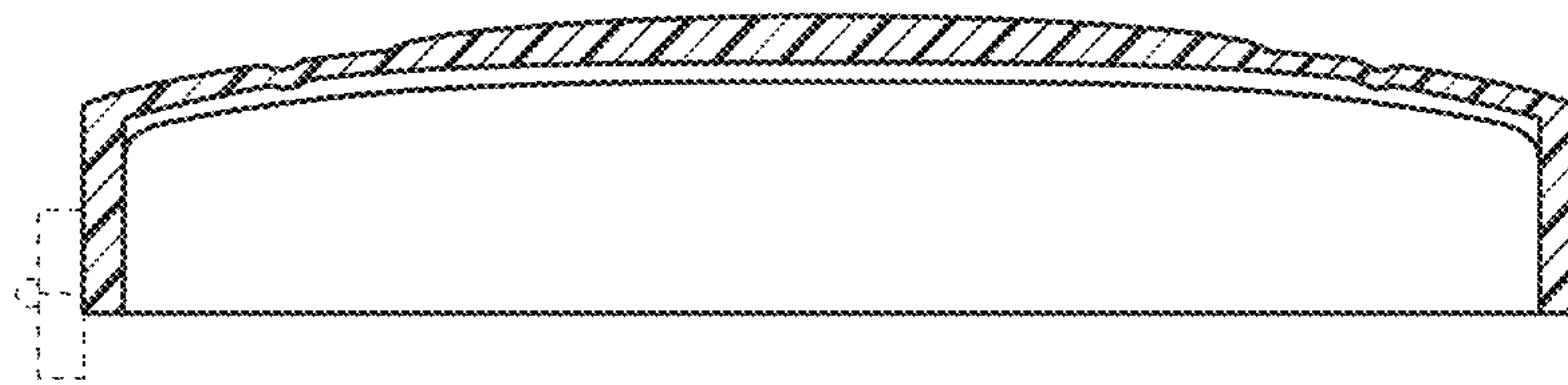


FIG. 8

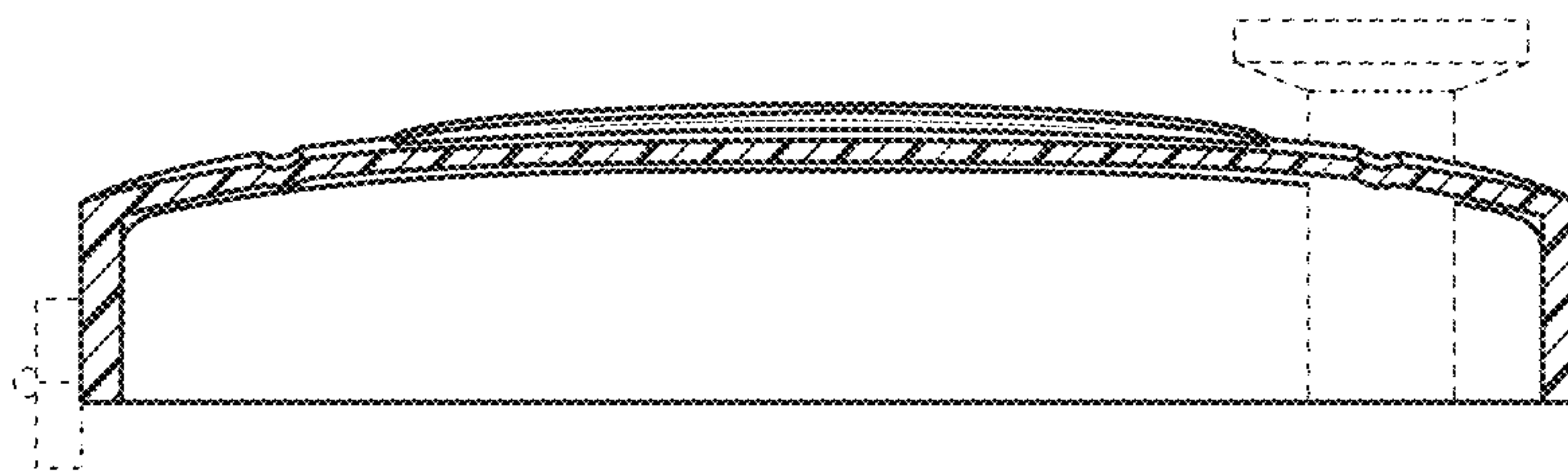


FIG. 9