



US00D868287S

(12) **United States Design Patent** (10) **Patent No.:** **US D868,287 S**
Frampton (45) **Date of Patent:** **** Nov. 26, 2019**

(54) **REMOTE ACTIVATION CLIP**
(71) Applicant: **Megadyne Medical Products, Inc.**,
Draper, UT (US)
(72) Inventor: **Chad S. Frampton**, American Fork,
UT (US)
(73) Assignee: **Megadyne Medical Products, Inc.**,
Draper, UT (US)

4,826,513 A 5/1989 Stackhouse et al.
4,986,839 A 1/1991 Wertz et al.
D315,410 S * 3/1991 Aten D24/127
5,108,389 A 4/1992 Comescu
5,144,176 A 9/1992 Popper
5,160,334 A 11/1992 Billings et al.
5,221,192 A 6/1993 Heflin et al.
(Continued)

(**) Term: **15 Years**

FOREIGN PATENT DOCUMENTS

CN 201830176822 * 4/2018
WO 9408698 4/1994
(Continued)

(21) Appl. No.: **29/627,788**

Primary Examiner — Susan Bennett Hattan
Assistant Examiner — Omeed Agilee
(74) *Attorney, Agent, or Firm* — Workman Nydegger

(22) Filed: **Nov. 29, 2017**

(51) **LOC (12) Cl.** **24-02**
(52) **U.S. Cl.**
USPC **D24/229**

(57) **CLAIM**

The ornamental design for a remote activation clip, as shown and described.

(58) **Field of Classification Search**
USPC D24/108, 110, 113, 129, 167, 168, 186,
D24/224, 231, 128; D19/69; D23/207,
D23/208, 341
CPC A61B 18/16; A61B 18/1233; A61B
2018/00178
See application file for complete search history.

DESCRIPTION

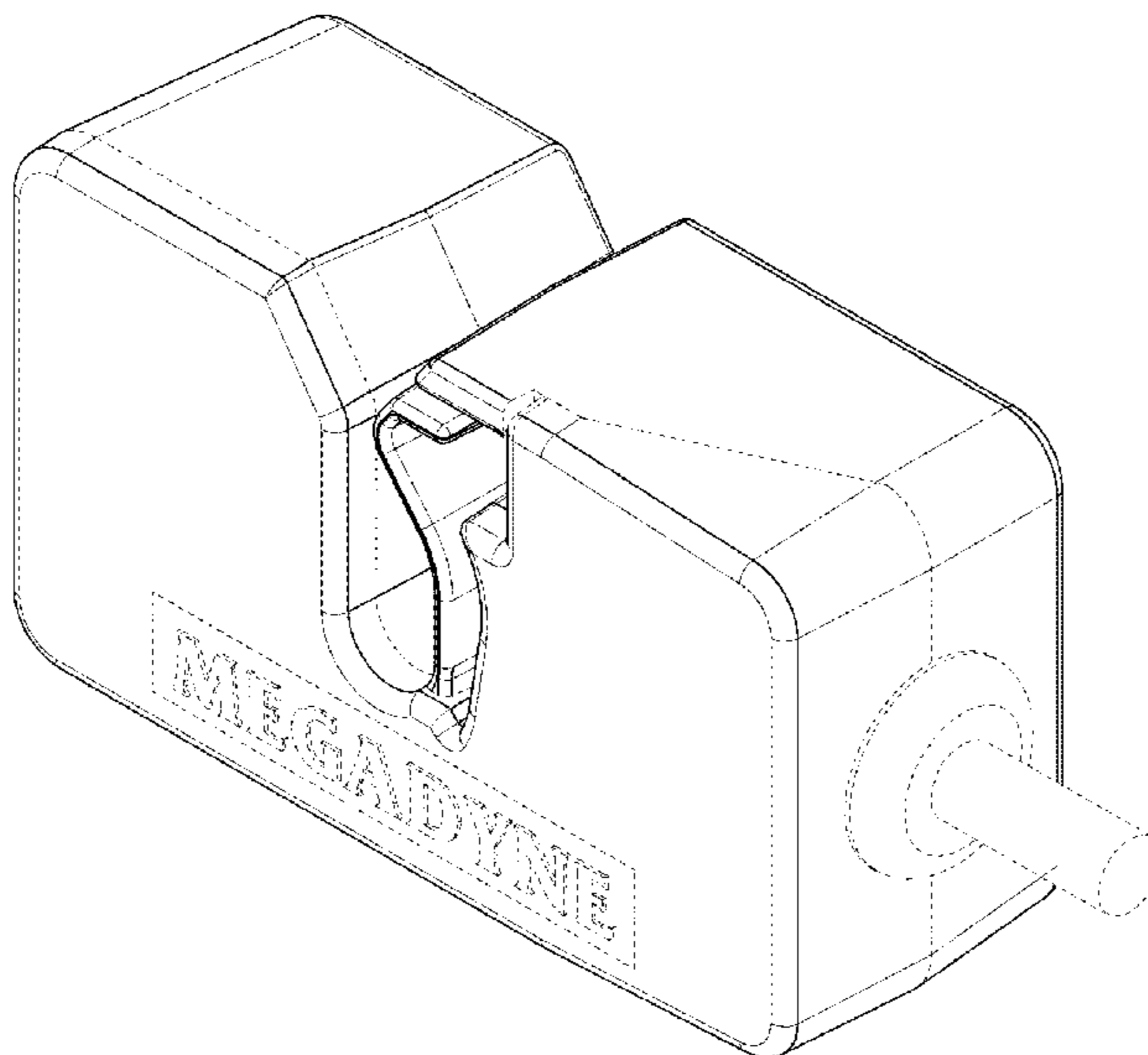
FIG. 1 is a perspective view of the remote activation clip showing the new design;
FIG. 2 is a front end elevational view of the remote activation clip;
FIG. 3 is a back end elevational view of the remote activation clip;
FIG. 4 is a left side elevational view of the remote activation clip;
FIG. 5 is a right side elevational view of the remote activation clip;
FIG. 6 is a top plan view of the remote activation clip; and,
FIG. 7 is a bottom plan view of the remote activation clip. The broken lines shown in the drawings are for the purpose of illustrating portions of the remote activation clip that for no part of the claimed design.

(56) **References Cited**

U.S. PATENT DOCUMENTS

1,165,288 A 12/1915 Rimmer
1,789,194 A 1/1931 Rockwell
2,577,606 A 12/1951 Conley
3,815,752 A 6/1974 Hoffman et al.
3,841,490 A 10/1974 Hoffman et al.
4,157,234 A 6/1979 Shaffer et al.
4,396,206 A 8/1983 Tsuge et al.
4,619,672 A 10/1986 Robertson
D291,353 S * 8/1987 Conero D24/129
4,701,193 A 10/1987 Robertson et al.
4,786,298 A 11/1988 Billet et al.
4,810,269 A 3/1989 Stackhouse et al.

1 Claim, 3 Drawing Sheets



(56)

References Cited

U.S. PATENT DOCUMENTS

5,226,939 A 7/1993 Nicolas et al.
 5,242,474 A 9/1993 Herbst et al.
 5,288,469 A 2/1994 Skalla et al.
 5,318,516 A 6/1994 Comescu
 5,336,218 A 8/1994 Linhares
 5,342,349 A 8/1994 Kaufman
 5,423,779 A 6/1995 Yeh
 5,431,650 A 7/1995 Comescu
 5,522,808 A 6/1996 Skalla
 5,597,385 A 1/1997 Moerke
 5,620,441 A 4/1997 Greff et al.
 5,674,219 A 10/1997 Monson et al.
 5,690,480 A 11/1997 Suzuki et al.
 5,853,410 A 12/1998 Greff et al.
 5,874,052 A 2/1999 Holland
 5,910,291 A 6/1999 Skalla et al.
 5,992,413 A 11/1999 Martin et al.
 D420,140 S * 2/2000 Noble D24/220
 6,050,792 A 4/2000 Shaffer
 6,089,527 A * 7/2000 Utterberg A61M 39/284
 251/4
 6,110,259 A 8/2000 Schultz et al.
 6,129,530 A 10/2000 Shaffer
 6,145,509 A * 11/2000 Tanner A61B 8/0841
 128/897
 6,203,762 B1 3/2001 Skalla et al.
 6,439,864 B1 8/2002 Shaffer
 6,511,308 B2 1/2003 Shaffer
 6,524,307 B1 2/2003 Palmerton et al.
 6,544,210 B1 4/2003 Trudel et al.
 6,585,791 B1 7/2003 Garito et al.
 6,589,316 B1 7/2003 Schultz et al.
 6,592,543 B1 7/2003 Wortrich et al.
 6,616,722 B1 9/2003 Cartellone
 6,663,698 B2 12/2003 Mishin et al.
 6,709,248 B2 3/2004 Fujioka et al.
 6,736,620 B2 5/2004 Satoh
 6,758,885 B2 7/2004 Leffel et al.
 6,786,707 B2 9/2004 Kim
 7,014,434 B2 3/2006 Fujioka et al.
 7,258,712 B2 8/2007 Schultz et al.
 7,276,052 B2 10/2007 Kobayashi et al.
 7,294,116 B1 11/2007 Ellman et al.
 D568,991 S * 5/2008 Schweikert D24/128
 7,465,156 B2 12/2008 Lee
 7,497,340 B2 3/2009 Hershberger et al.
 D608,447 S * 1/2010 Meyer D24/167

7,819,957 B2 10/2010 Roberts et al.
 7,942,655 B2 5/2011 Shaffer
 8,033,798 B2 10/2011 Suh et al.
 8,142,175 B2 3/2012 Duppert et al.
 D657,468 S * 4/2012 Held D24/184
 8,190,398 B2 5/2012 Kitaguchi et al.
 8,298,420 B2 10/2012 Burrows
 8,608,816 B2 12/2013 Palmerton et al.
 8,684,705 B2 4/2014 Magoon et al.
 8,727,744 B2 5/2014 Magoon et al.
 9,011,366 B2 4/2015 Dean et al.
 9,028,230 B2 5/2015 Shaffer
 9,067,030 B2 6/2015 Stearns et al.
 9,074,598 B2 7/2015 Shaffer et al.
 D739,770 S * 9/2015 Scampoli D10/81
 9,199,047 B2 12/2015 Stearns et al.
 9,215,964 B2 12/2015 Loske
 9,366,254 B2 6/2016 Murakami
 9,387,295 B1 7/2016 Mastri et al.
 9,387,296 B1 7/2016 Mastri et al.
 9,415,160 B2 8/2016 Bonano et al.
 9,435,339 B2 9/2016 Calhoun et al.
 9,474,512 B2 10/2016 Blackhurst et al.
 9,549,849 B2 1/2017 Charles
 9,579,428 B1 2/2017 Reasoner et al.
 D799,055 S * 10/2017 Kennedy D24/224
 2004/0223859 A1 11/2004 Sharp
 2005/0000196 A1 1/2005 Schultz
 2005/0189283 A1 9/2005 Smit et al.
 2006/0099096 A1 5/2006 Shaffer et al.
 2007/0066970 A1 3/2007 Ineson
 2009/0022613 A1 1/2009 Dai et al.
 2014/0356207 A1 12/2014 Yang
 2015/0224237 A1 8/2015 Reasoner et al.
 2015/0273381 A1 10/2015 Stoner et al.
 2016/0000494 A1 1/2016 Comescu
 2016/0001102 A1 1/2016 Huh
 2016/0287817 A1 10/2016 Mastri et al.
 2016/0367266 A1 12/2016 Palmerton et al.
 2017/0014557 A1 1/2017 Minskoff et al.
 2017/0165725 A1 6/2017 Hersey et al.
 2017/0181768 A1 6/2017 Galley

FOREIGN PATENT DOCUMENTS

WO 2016142690 9/2016
 WO 201703712 1/2017
 WO 2017112684 6/2017

* cited by examiner

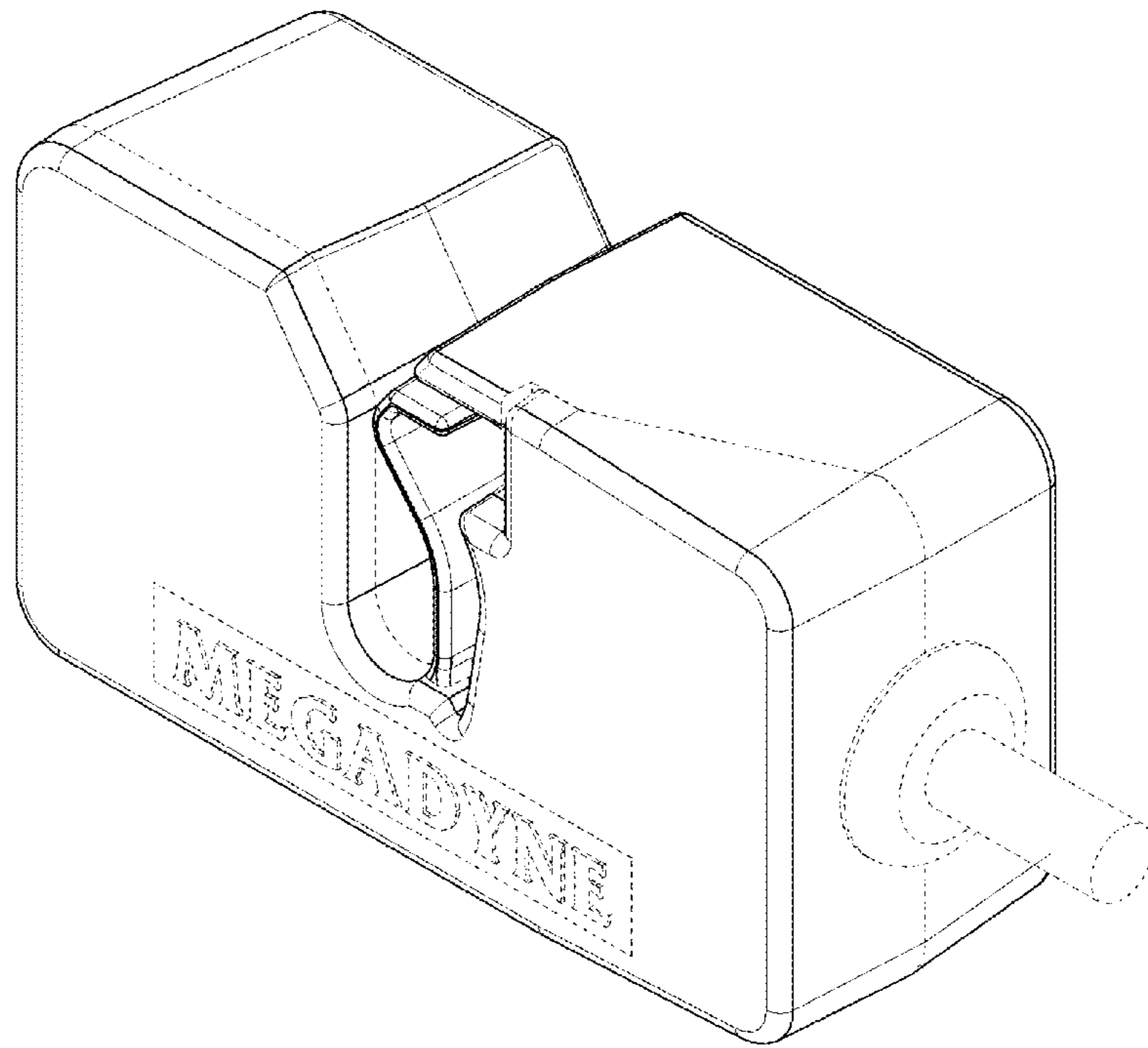


FIG. 1

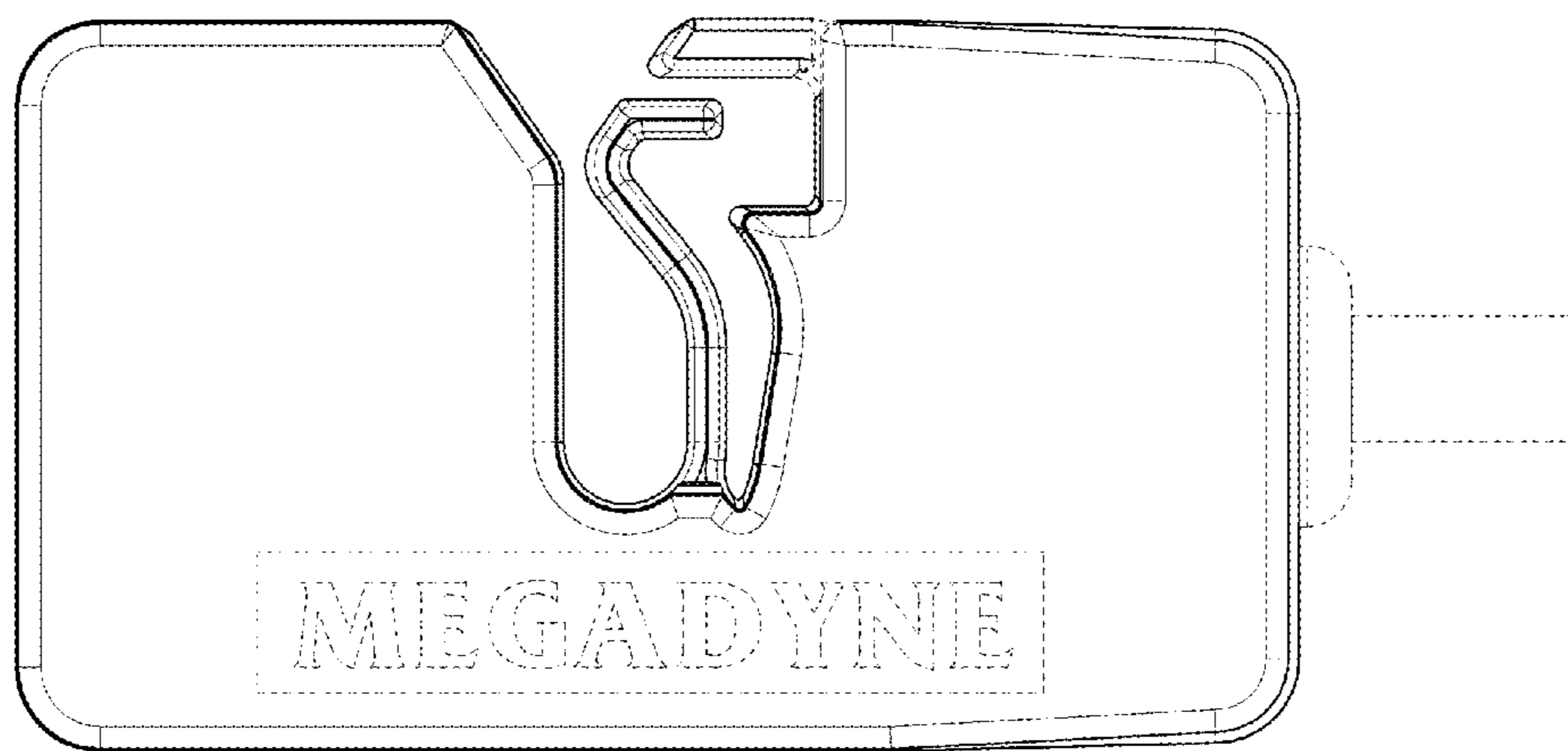


FIG. 2

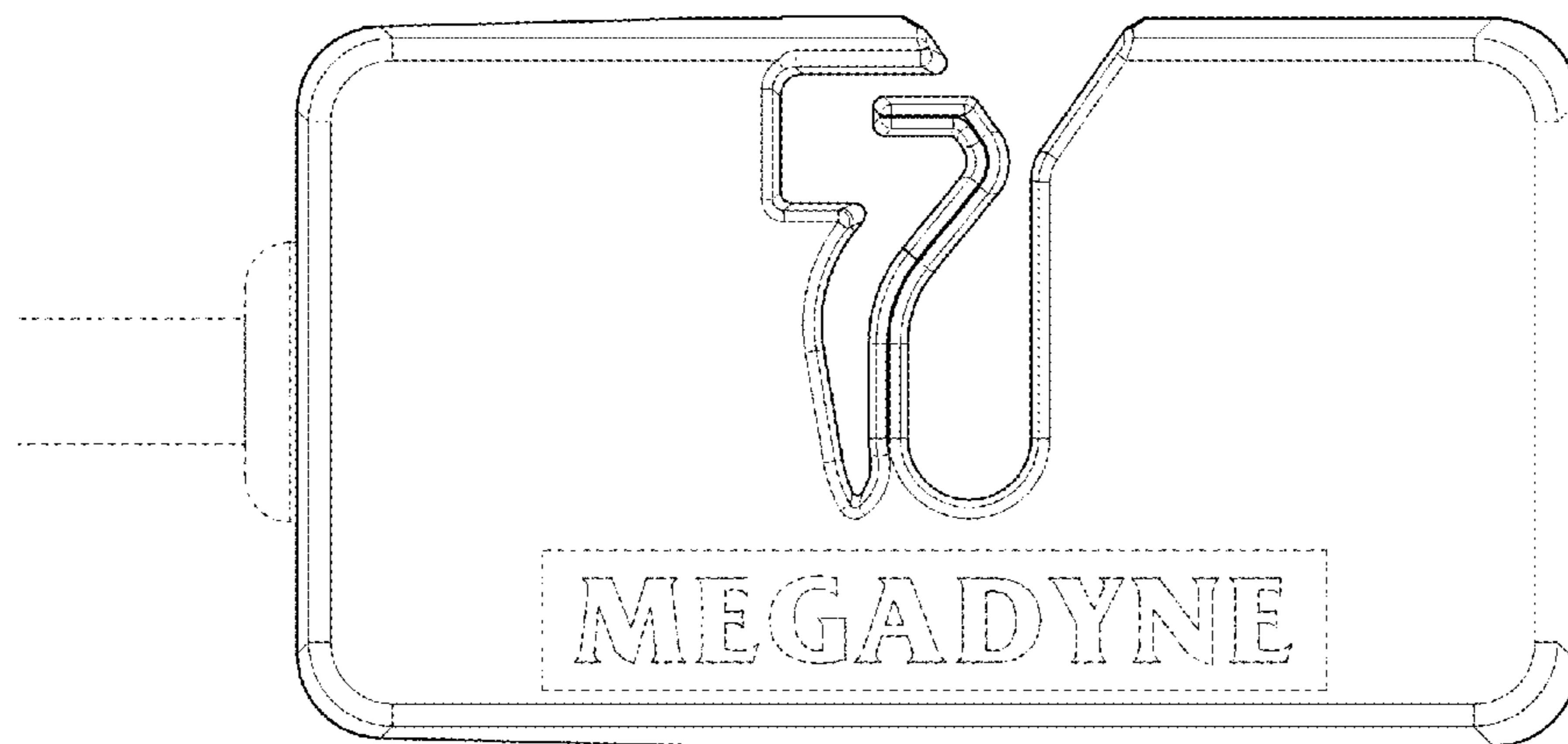


FIG. 3

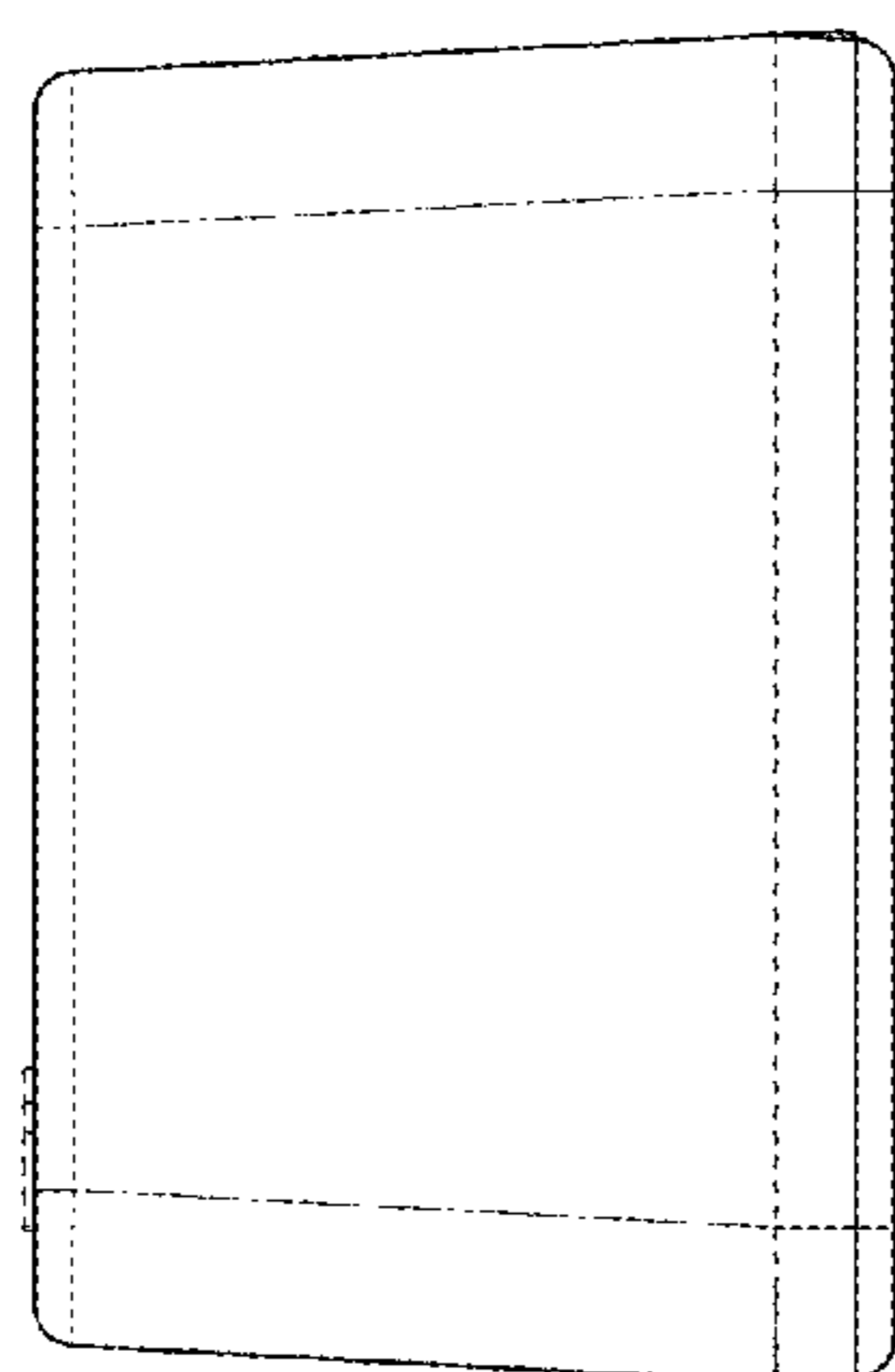


FIG. 4

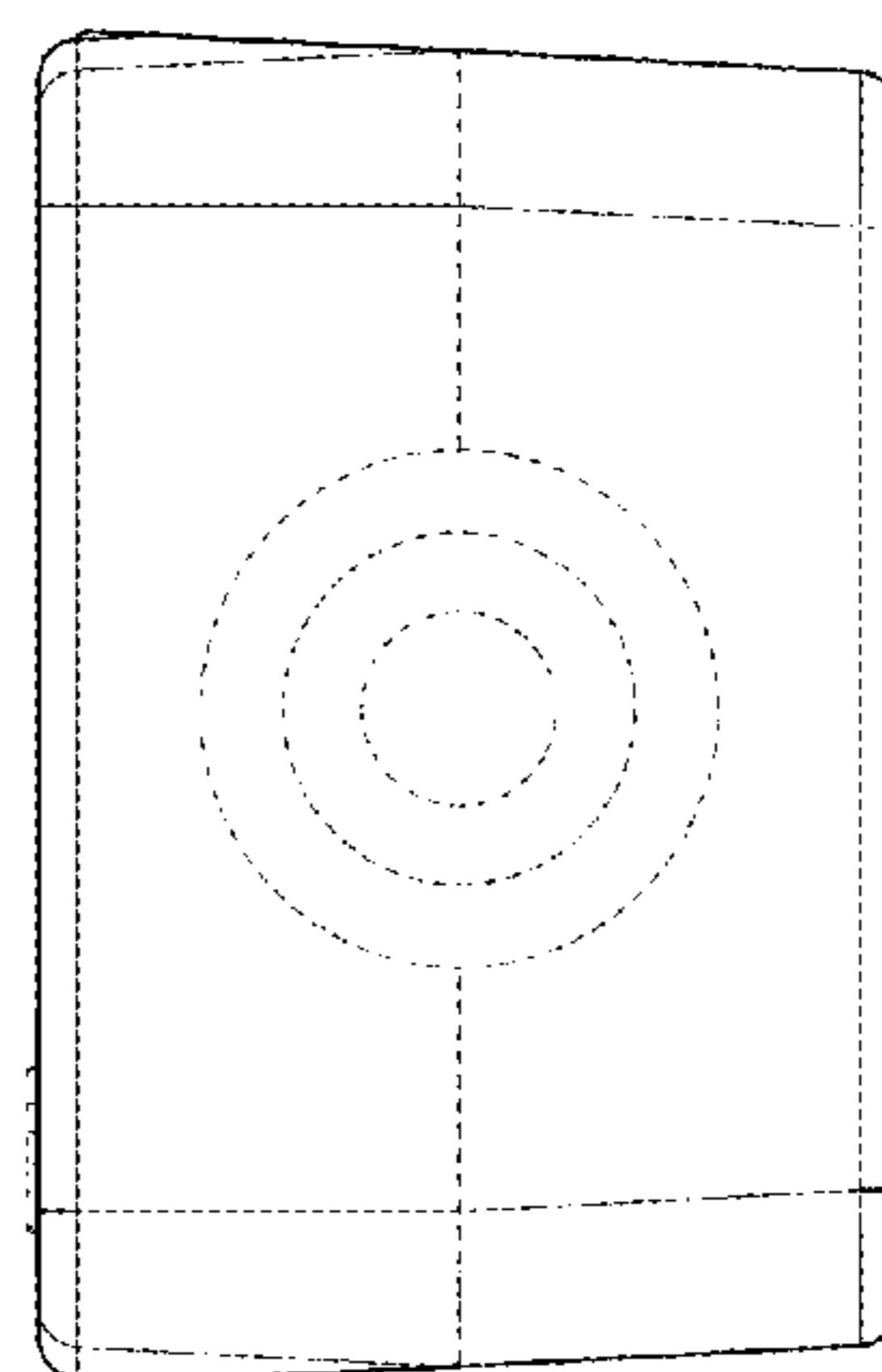


FIG. 5

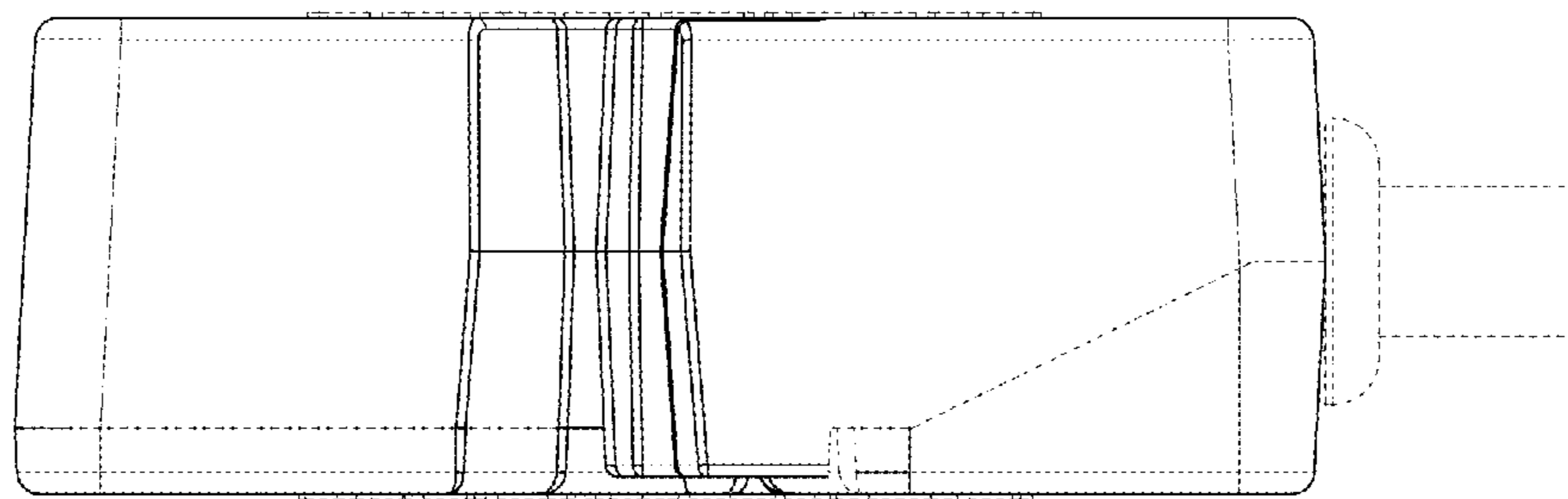


FIG. 6

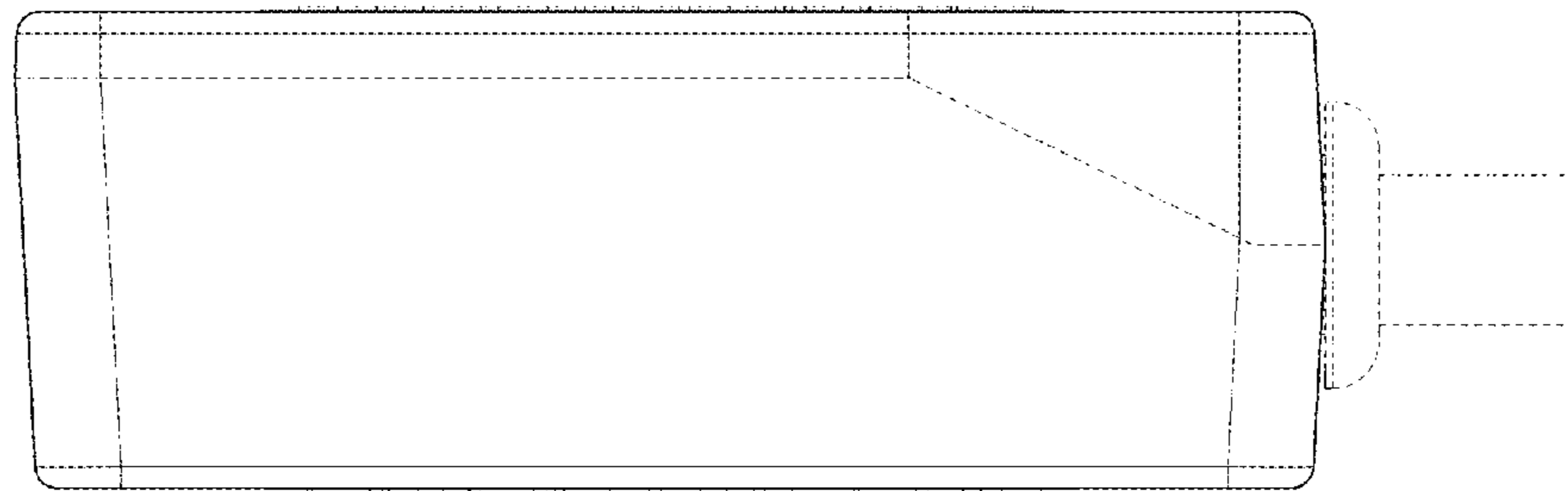


FIG. 7