



US00D868286S

(12) **United States Design Patent** (10) **Patent No.:** **US D868,286 S**
Kneisel et al. (45) **Date of Patent:** **** Nov. 26, 2019**

- (54) **CRYOGENIC STORAGE BOX** D280,990 S * 10/1985 Davidson D15/5
- (71) Applicant: **ARGOS TECHNOLOGY, INC.,** D282,577 S 2/1986 Neumeister
- Vernon Hills, IL (US) D300,293 S * 3/1989 Casey D7/387
- D305,767 S * 1/1990 Tauschke D15/5
- 5,058,397 A * 10/1991 MacDonald A61J 1/165
- 62/371
- (72) Inventors: **Philip A. Kneisel**, West Dundee, IL D324,819 S 3/1992 Eisenberg
- (US); **Walter Raczynski**, Arlington D330,670 S 11/1992 Georgakis et al.
- Heights, IL (US); **Peter T. Hadjis**, D334,624 S * 4/1993 Kasman D15/144.1
- Vernon Hills, IL (US) (Continued)

(73) Assignee: **Argos Technology, Inc.**, Vernon Hills, IL (US)

(**) Term: **15 Years**

(21) Appl. No.: **29/613,699**

(22) Filed: **Aug. 11, 2017**

Related U.S. Application Data

(63) Continuation-in-part of application No. 15/665,390, filed on Jul. 31, 2017.

(51) **LOC (12) Cl.** **24-02**

(52) **U.S. Cl.**
USPC **D24/227**

(58) **Field of Classification Search**
USPC D24/217-234; D9/425, 429-432; D15/1, D15/2, 5
CPC A61J 1/14; A61J 1/16; A61J 1/165
See application file for complete search history.

(56) **References Cited**

U.S. PATENT DOCUMENTS

- 1,980,533 A * 11/1934 Kile A61C 19/005
- 433/49
- D122,876 S * 10/1940 Newman D24/222
- 3,682,597 A 8/1972 Husch
- D264,810 S 6/1982 Voltmann
- D271,239 S 11/1983 Lemieux et al.
- D271,903 S * 12/1983 Kaufman D24/229
- D280,015 S 8/1985 Sarajian

FOREIGN PATENT DOCUMENTS

WO 2015078767 A1 6/2015

OTHER PUBLICATIONS

Computer Aided Design. Online, published date unknown. Retrieved on Nov. 1, 2018 from uRL: <http://archive.fabacademy.org/2017/fablabtrivandrum/students/155/week2.html>.*

(Continued)

Primary Examiner — Susan Bennett Hattan
Assistant Examiner — Omeed Agilee
(74) *Attorney, Agent, or Firm* — Fishman Stewart PLLC

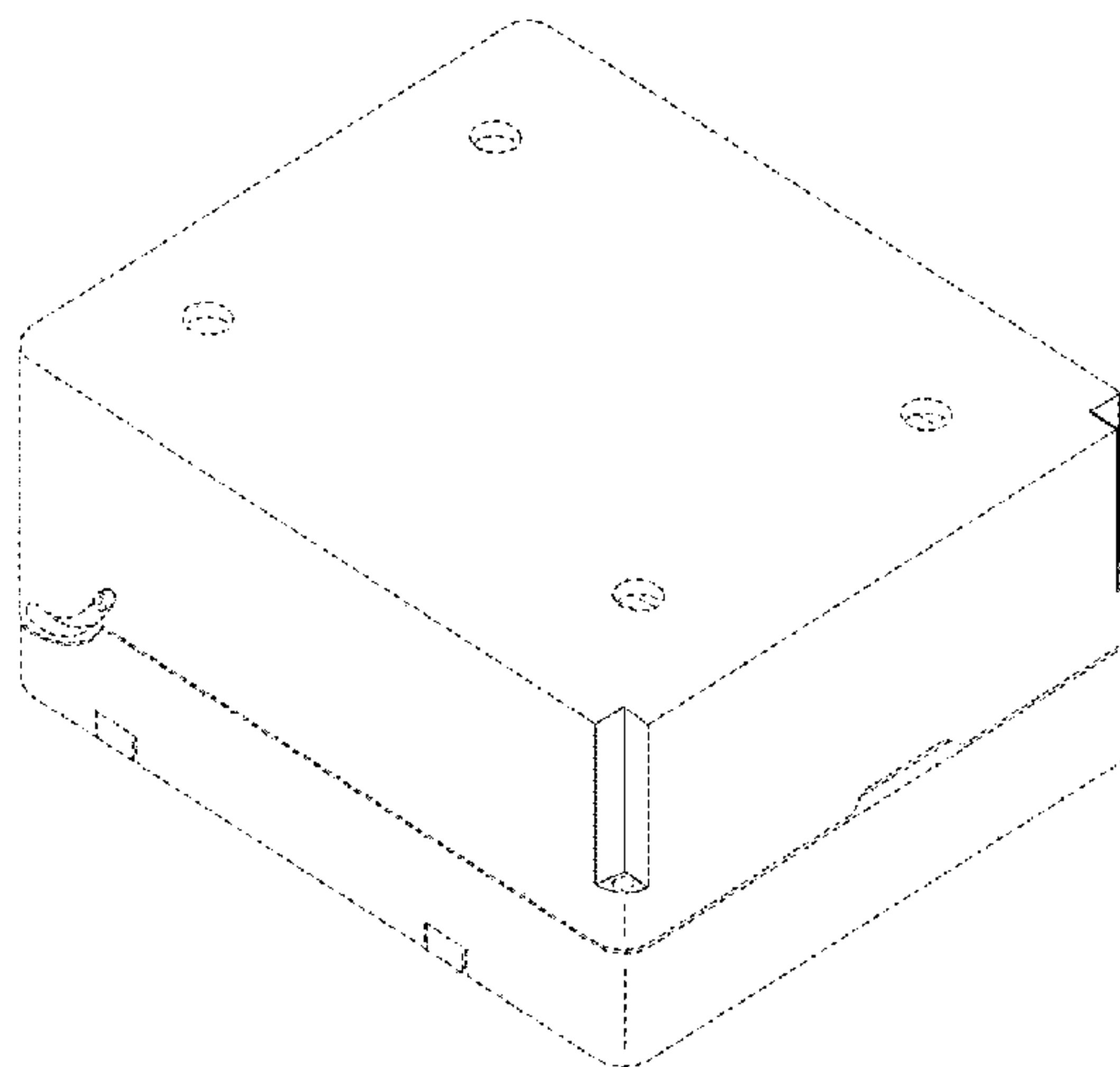
(57) **CLAIM**

The ornamental design for a cryogenic storage box, as shown and described.

DESCRIPTION

FIG. 1 is a front perspective view of a cryogenic storage box; FIG. 2 is a front view thereof; FIG. 3 is a rear view thereof; FIG. 4 is a side view thereof; FIG. 5 is a top view thereof; and, FIG. 6 is a bottom view thereof. The broken lines in the figures depict portions of the cryogenic storage box that form no part of the claimed design.

1 Claim, 5 Drawing Sheets



(56)

References Cited

U.S. PATENT DOCUMENTS

5,390,791 A * 2/1995 Yeager A61J 1/165
 206/438
 D368,656 S * 4/1996 Campbell-Scott D9/430
 D369,296 S * 4/1996 Park D9/429
 D408,419 S * 4/1999 Clark D15/5
 6,019,225 A 2/2000 Kalmakis et al.
 D430,800 S * 9/2000 Sarnoff D9/425
 D502,096 S * 2/2005 Wilcock D9/425
 6,875,405 B1 4/2005 Mathus et al.
 D514,309 S * 2/2006 Wahl D3/203.2
 D529,622 S 10/2006 Hadjis et al.
 D557,156 S * 12/2007 Kon D10/81
 D604,604 S * 11/2009 Strange D9/424
 D695,112 S * 12/2013 Zornes D9/429
 D700,288 S * 2/2014 Santos D23/249
 D718,471 S * 11/2014 So D24/224
 D720,469 S * 12/2014 Green D24/224
 D729,621 S * 5/2015 Merrick D9/432
 D778,957 S * 2/2017 Zhang D15/5
 D799,058 S * 10/2017 Kennedy D24/227
 D815,522 S * 4/2018 Vegliante D9/432
 D824,252 S * 7/2018 Oldham D9/432
 2007/0193909 A1 8/2007 Chin et al.
 2016/0332165 A1 11/2016 Gunther

OTHER PUBLICATIONS

DreamLine Shower Backwall Kit White Acrylic Wall and Floor Neo-Angle 3-Piece Corner Shower Kit (Actual: 76.75-in×36-in×36-in). Online, published unknown. Retrieved on Nov. 1, 2018 from URL: https://www.lowes.com/pd/DreamLine-Shower-Backwall-Kit-White-Acrylic-Wall-and-Floor-Neo-Angle-3-Piece-Corner-Shower-Kit-Actu.*
 Argos Technologies Magne-Box™ Magnetic Polycarbonate Cryo-Boxes. Online, published date Oct. 2, 2017. Retrieved on Nov. 1, 2018 from URL: https://www.youtube.com/watch?v=-jprZCpsRss.*
 Aqueon Tank with Corner Overflow Black 40"L×28"W×23"H 54gal. Online, published date unknown. Retrieved on Mar. 19, 2019 from <URL: https://www.fishtanksdirect.com/aqueon-tank-megaflow-black-40l×28w×23h-54gal.aspx?gclid=EAlalQobChMlpv_9-7eP4QIVREsNCh2qpAj-EAQYAiABEgKbDvD_BwE>.*
 DreamLine Prime 31 3/8"Frameless Sliding Enclosure, Base and QWALL-4 Backwall Kit. Online, published date unknown. Retrieved on Mar. 19, 2019 from <URL: https://newbathroomstyle.com/product/dreamline-prime-31-38-by-31-38-frameless-sliding-shower-enclosure-base-and-qwall-4-shower-backwall-kit-dl-6152-01fr/>.*
 ISR for PCT/US2018/044314, dated Oct. 22, 2018.

* cited by examiner

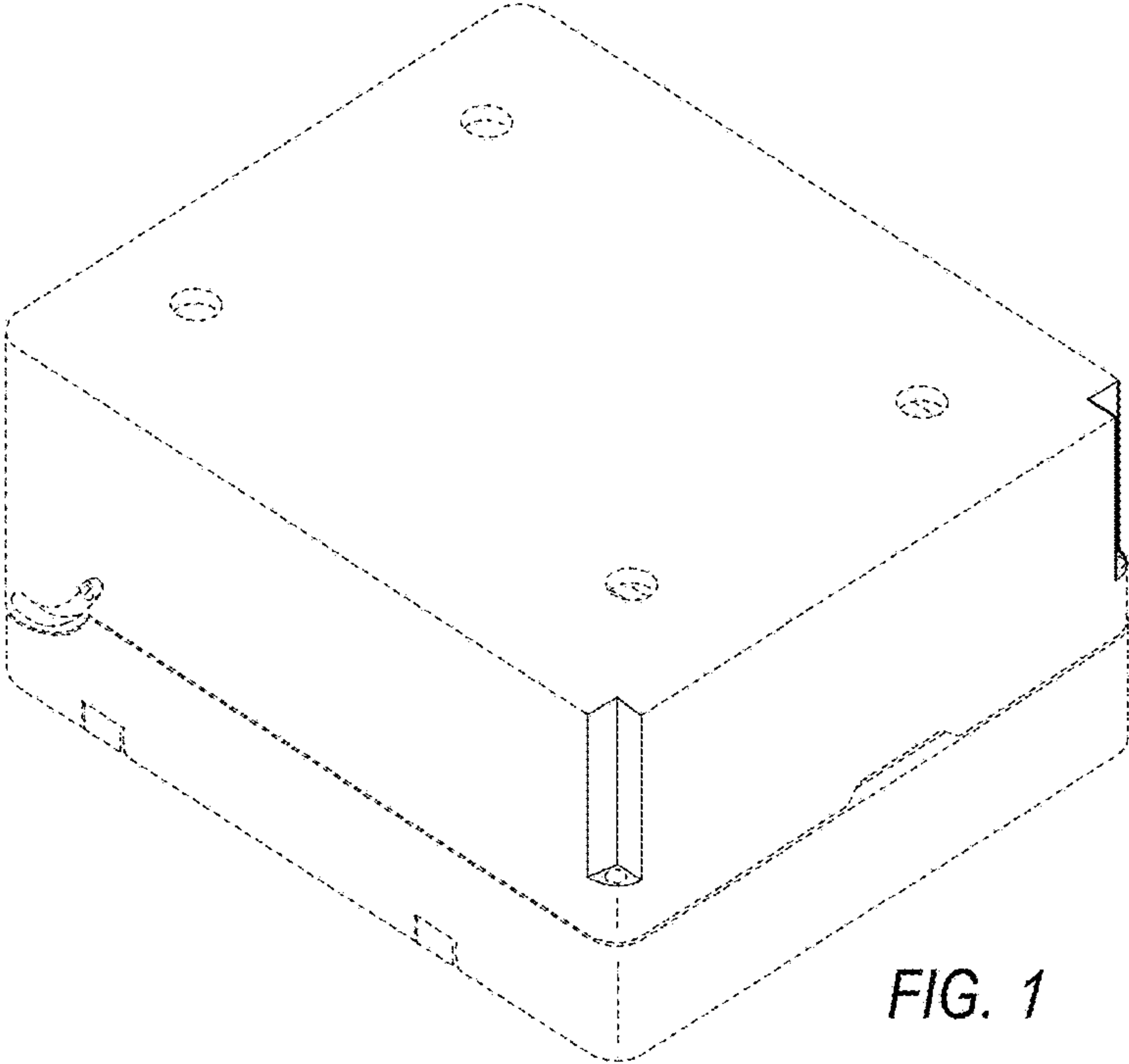


FIG. 1



FIG. 2



FIG. 3



FIG. 4

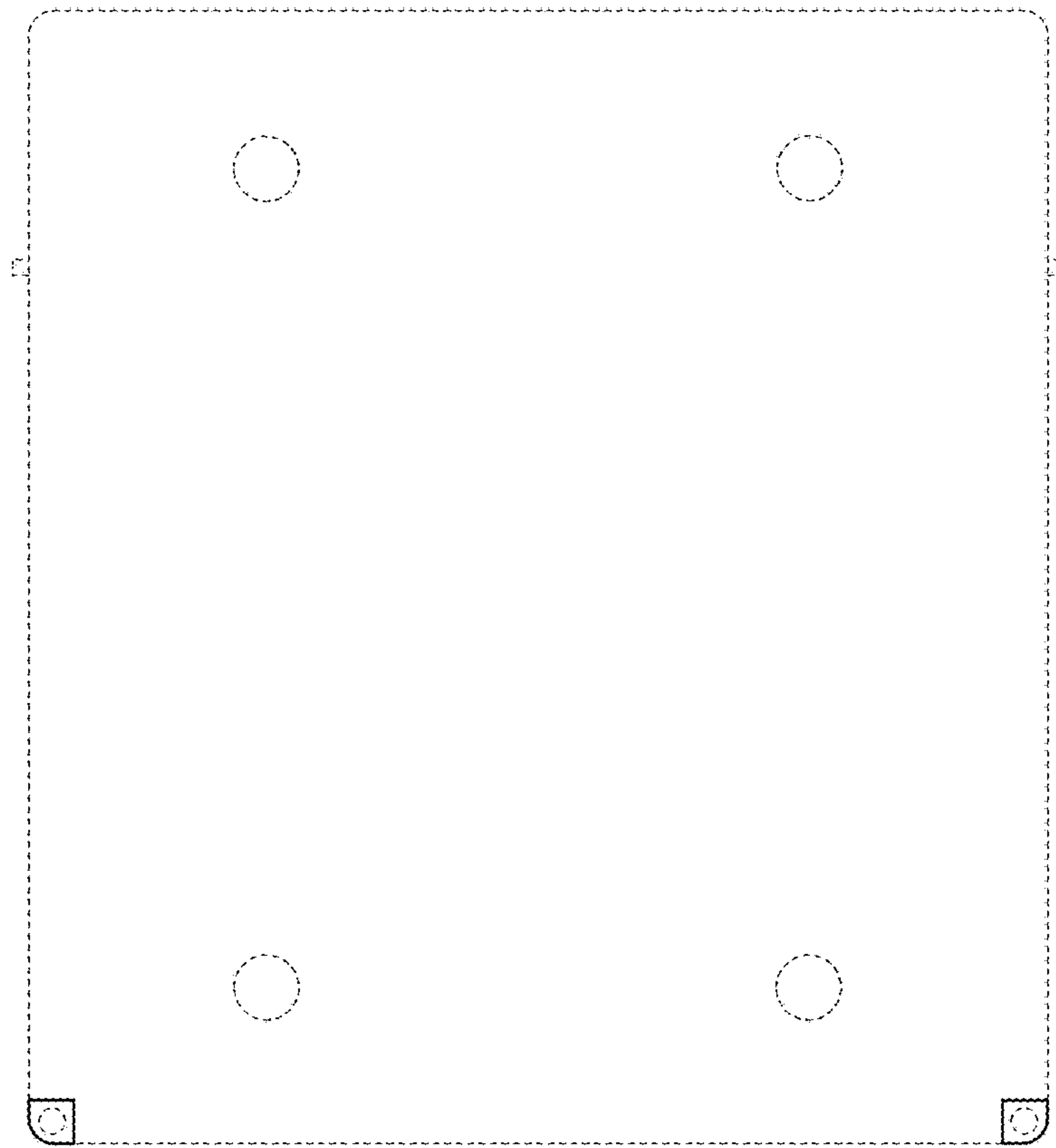


FIG. 5

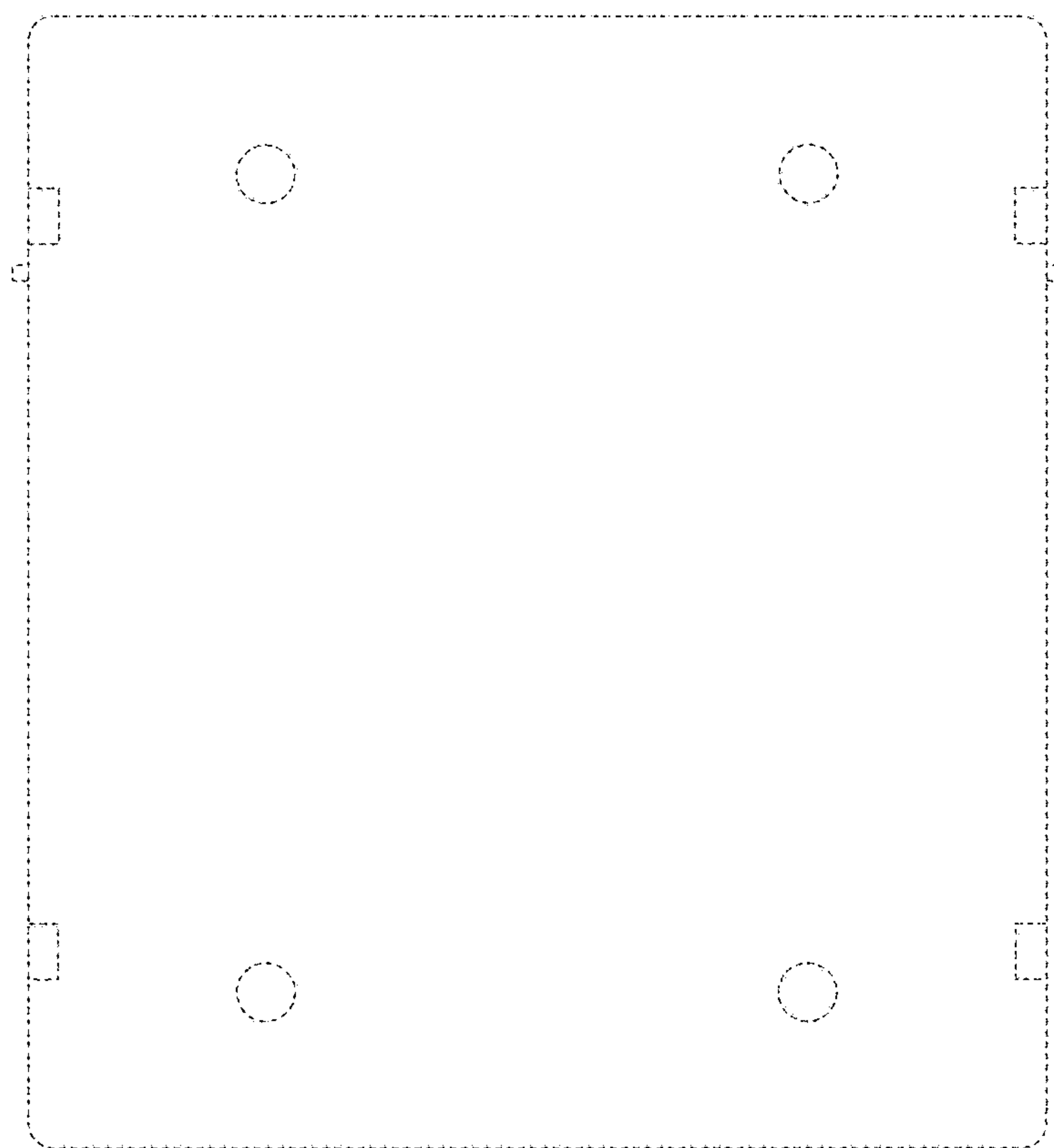


FIG. 6