

US00D868284S

(12) **United States Design Patent**
Demmink et al.

(10) **Patent No.:** **US D868,284 S**
(45) **Date of Patent:** **** Nov. 26, 2019**

(54) **BOTTLE**

(71) Applicant: **Abbott Laboratories**, Abbott Park, IL (US)

(72) Inventors: **Kyle Demmink**, Columbus, OH (US);
Jeremy McBroom, Columbus, OH (US)

(73) Assignee: **ABBOTT LABORATORIES**, Abbott Park, IL (US)

(**) Term: **15 Years**

(21) Appl. No.: **29/654,760**

(22) Filed: **Jun. 27, 2018**

Related U.S. Application Data

(62) Division of application No. 29/555,872, filed on Feb. 25, 2016, now Pat. No. Des. 824,040.

(51) **LOC (12) Cl.** **24-02**

(52) **U.S. Cl.**
USPC **D24/224**

(58) **Field of Classification Search**
USPC D24/224, 216, 188, 193, 197; D10/46, D10/46.2; D9/516, 530, 537-539, 549, D9/557, 558, 688-691; 73/426-429; 215/11.1
CPC G01F 17/00; G01F 22/00; A61J 11/00
See application file for complete search history.

(56) **References Cited**

U.S. PATENT DOCUMENTS

- 831,939 A * 9/1906 Deming G01F 19/00 422/74
- 3,645,262 A 2/1972 Harrigan
- 4,961,701 A 10/1990 Barth
- D335,450 S 5/1993 Pezzoli et al.
- D337,271 S 7/1993 Pezzoli et al.
- 2,364,537 A 12/1994 Kerth

- D366,840 S 2/1996 Schagerstrom
 - 6,222,168 B1 4/2001 Witonsky
 - 6,290,080 B1 9/2001 Grosse
 - H2199 H 9/2007 Horton et al.
- (Continued)

FOREIGN PATENT DOCUMENTS

- GB 2376681 A 12/2002
- WO 2005041851 A2 5/2005
- WO 2008079282 A2 7/2008

OTHER PUBLICATIONS

Enfamil infant formula bottle : <http://www.toysrus.com/buy/nursers/enfamil-premium-nursette-2-oz-6-pack-36641-3506027>.

(Continued)

Primary Examiner — Susan Bennett Hattan

Assistant Examiner — Rebecca Tsehaye

(74) *Attorney, Agent, or Firm* — Calfee Halter & Griswold LLP

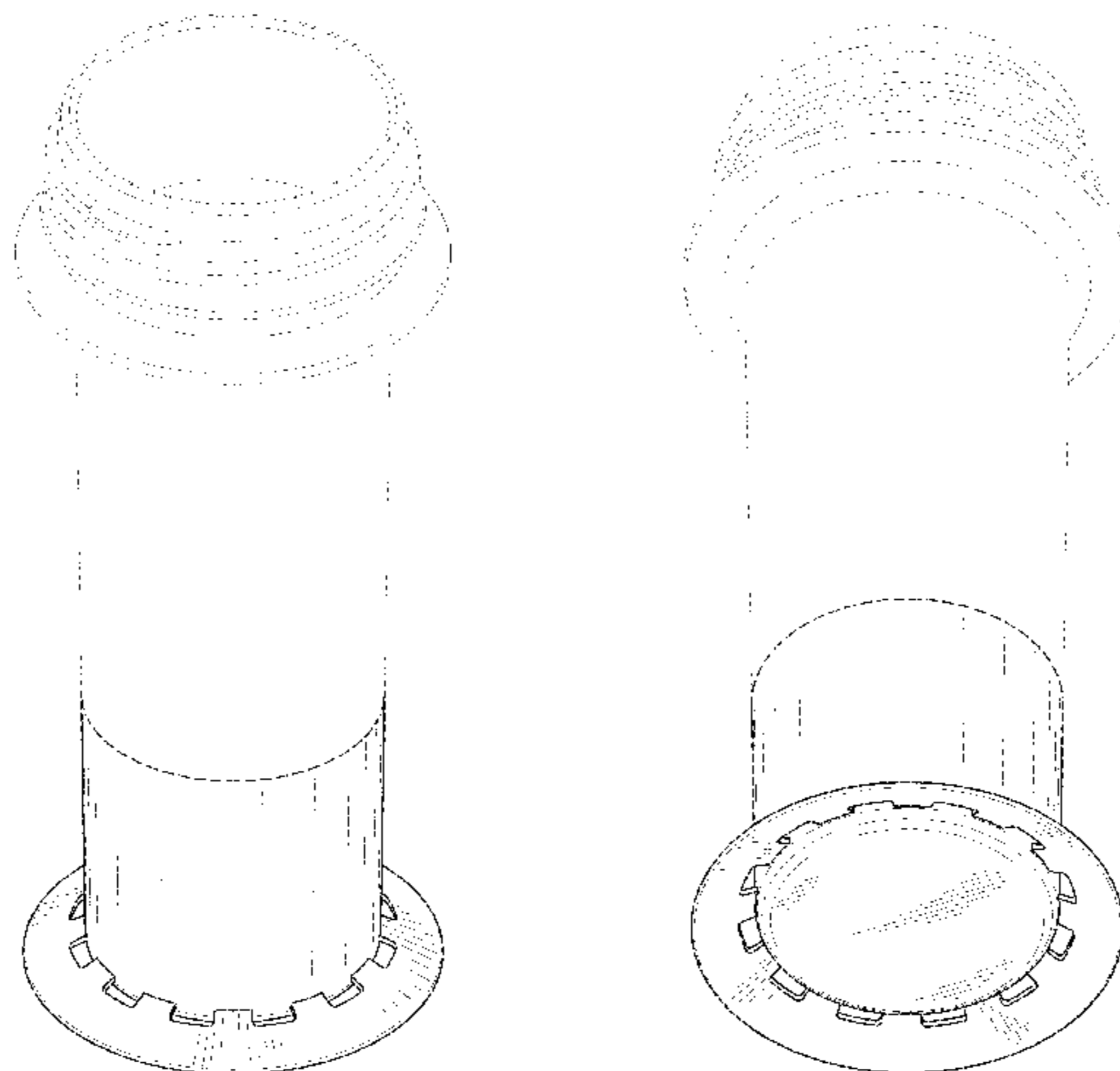
(57) **CLAIM**

We claim the ornamental design for a bottle, as shown and described.

DESCRIPTION

FIG. 1 is a top, perspective view of a bottle, showing the new design;
FIG. 2 is a bottom, perspective view of the bottle of FIG. 1;
FIG. 3 is a front side view of the bottle of FIG. 1;
FIG. 4 is a left view of the bottle of FIG. 1;
FIG. 5 is a rear side view of the bottle of FIG. 1;
FIG. 6 is a right view of the bottle of FIG. 1;
FIG. 7 is a top view of the bottle of FIG. 1; and,
FIG. 8 is a bottom view of the bottle of FIG. 1.
The broken lines in the drawings showing the bottle illustrate the portions of the bottle that form no part of the claimed design.

1 Claim, 5 Drawing Sheets



(56)

References Cited

U.S. PATENT DOCUMENTS

H2200 H 9/2007 Horton et al.
 D598,124 S * 8/2009 Py D24/224
 D609,570 S * 2/2010 Suchenski D9/500
 D631,169 S * 1/2011 Cheeley D24/224
 D668,778 S 10/2012 Motadel
 D707,129 S 6/2014 Rozenbaum
 8,851,739 B2 10/2014 Gonzalez
 D727,097 S 4/2015 Sorensen
 D733,497 S 4/2015 Sorensen
 D756,797 S 5/2016 Fine
 D768,304 S 10/2016 Dean
 D768,865 S 10/2016 Dean
 9,476,748 B1 10/2016 Krause
 D777,031 S 1/2017 Katopis
 D777,938 S 1/2017 Roaks
 D778,460 S * 2/2017 Marechal D24/224
 D824,040 S * 7/2018 Demmink D24/224
 2007/0108151 A1 5/2007 Schultheis et al.
 2007/0108152 A1 5/2007 Horton et al.
 2007/0181520 A1 8/2007 Holley et al.
 2008/0197097 A1 8/2008 Montgomery

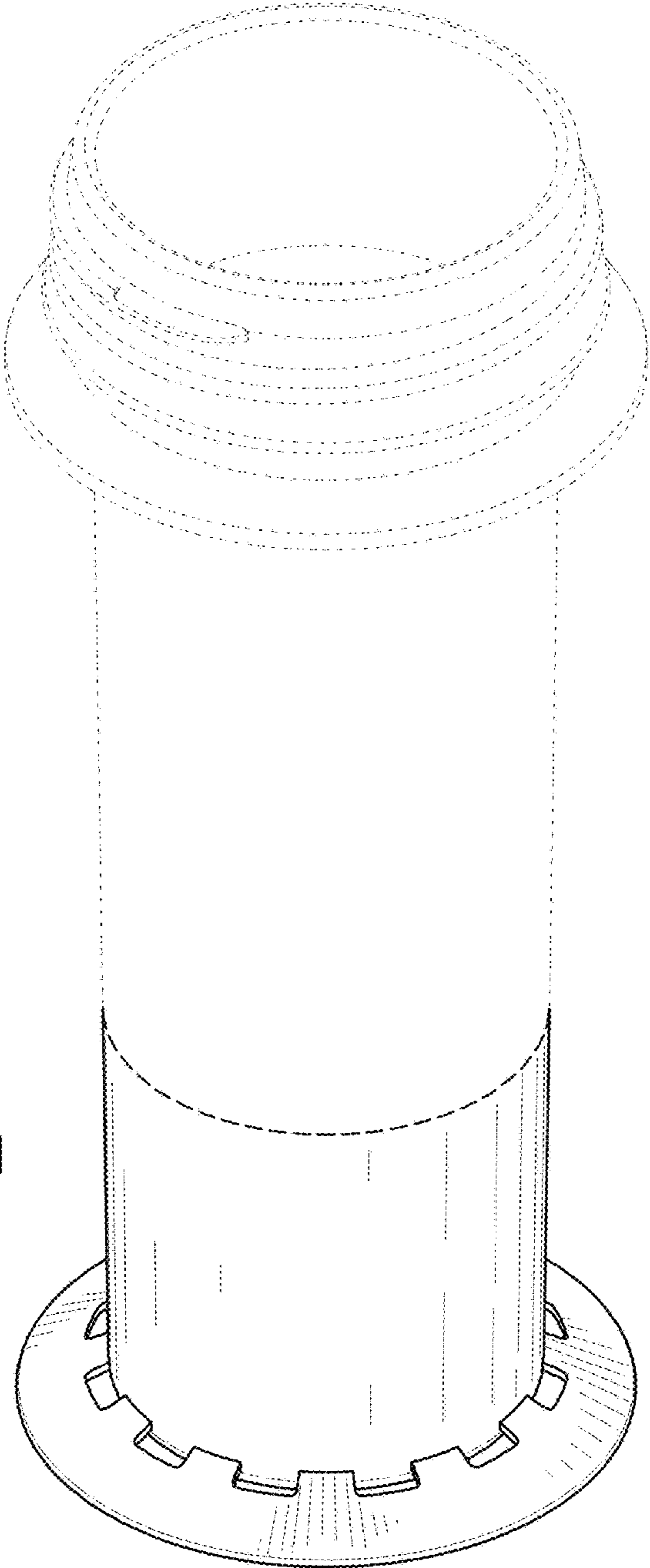
2011/0073556 A1 3/2011 Yourist et al.
 2011/0114589 A1 5/2011 Levy et al.
 2011/0155684 A1 6/2011 Sirota
 2012/0018398 A1 1/2012 Gejzendorffer et al.
 2012/0035655 A1 2/2012 Trocki
 2014/0251944 A1 9/2014 Spinetti
 2019/0055047 A1* 2/2019 Demmink A61J 9/00

OTHER PUBLICATIONS

International Search Report and Written Opinion from PCT/US2017/019356 dated Mar. 30, 2017.
 Restriction Requirement from U.S. Appl. No. 29/555,872 dated Sep. 20, 2017.
 Response to Restriction Requirement from U.S. Appl. No. 29/555,872 dated Nov. 20, 2017.
 Office from U.S. Appl. No. 29/555,872 dated Dec. 21, 2017.
 Response to Office from U.S. Appl. No. 29/555,872 dated Feb. 13, 2018.
 Notice of Allowance from U.S. Appl. No. 29/555,872 dated Mar. 26, 2018.

* cited by examiner

Fig. 1



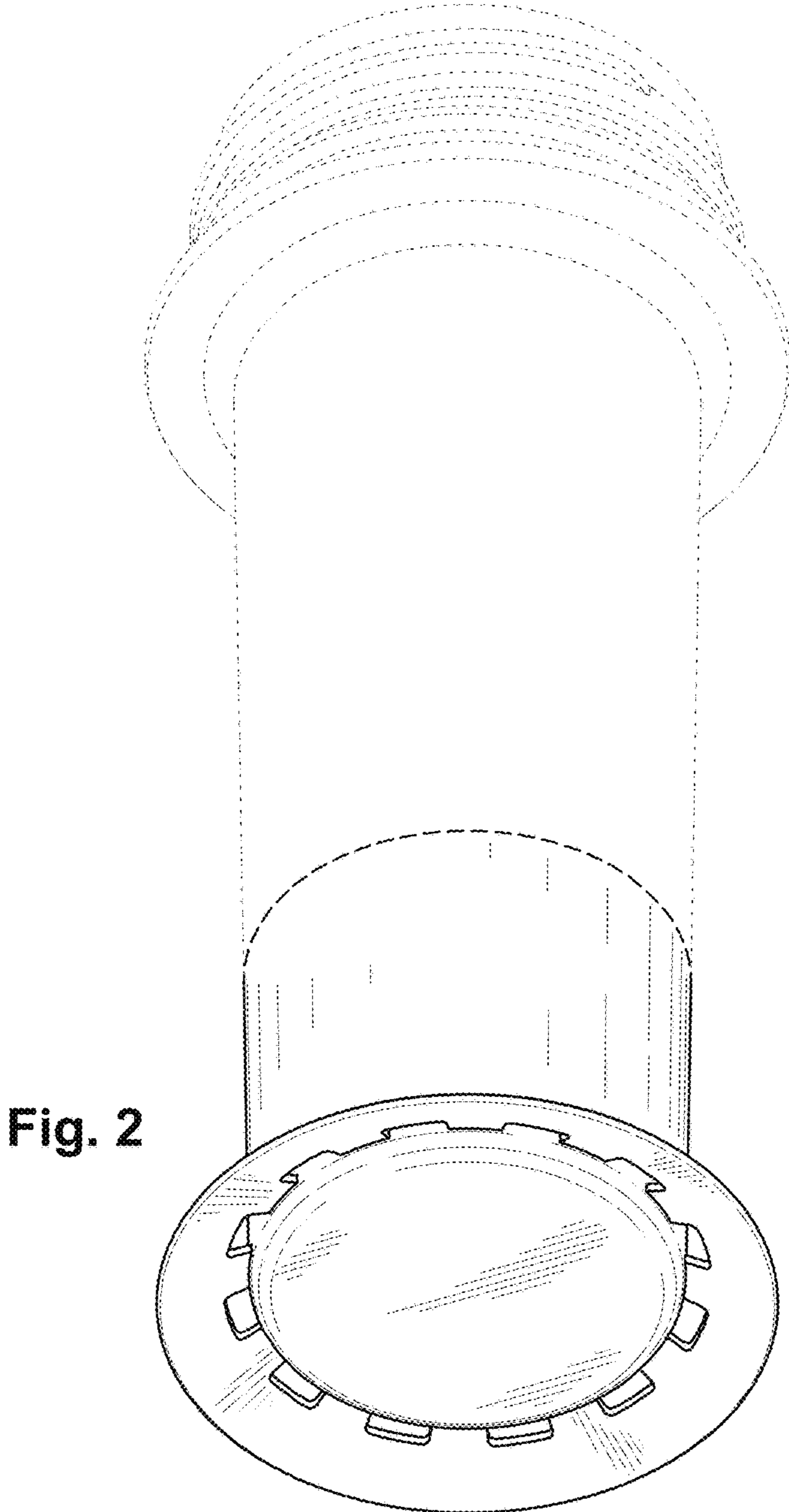


Fig. 2

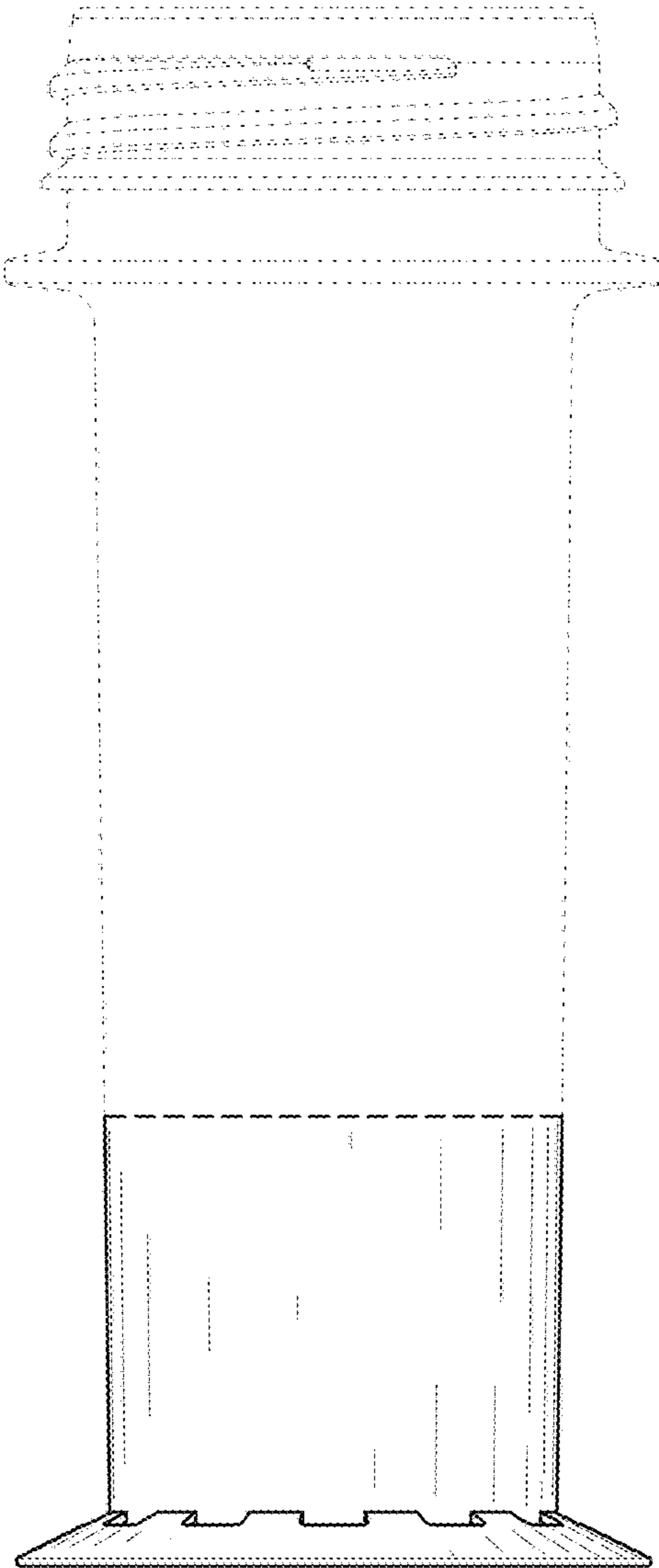


Fig. 3

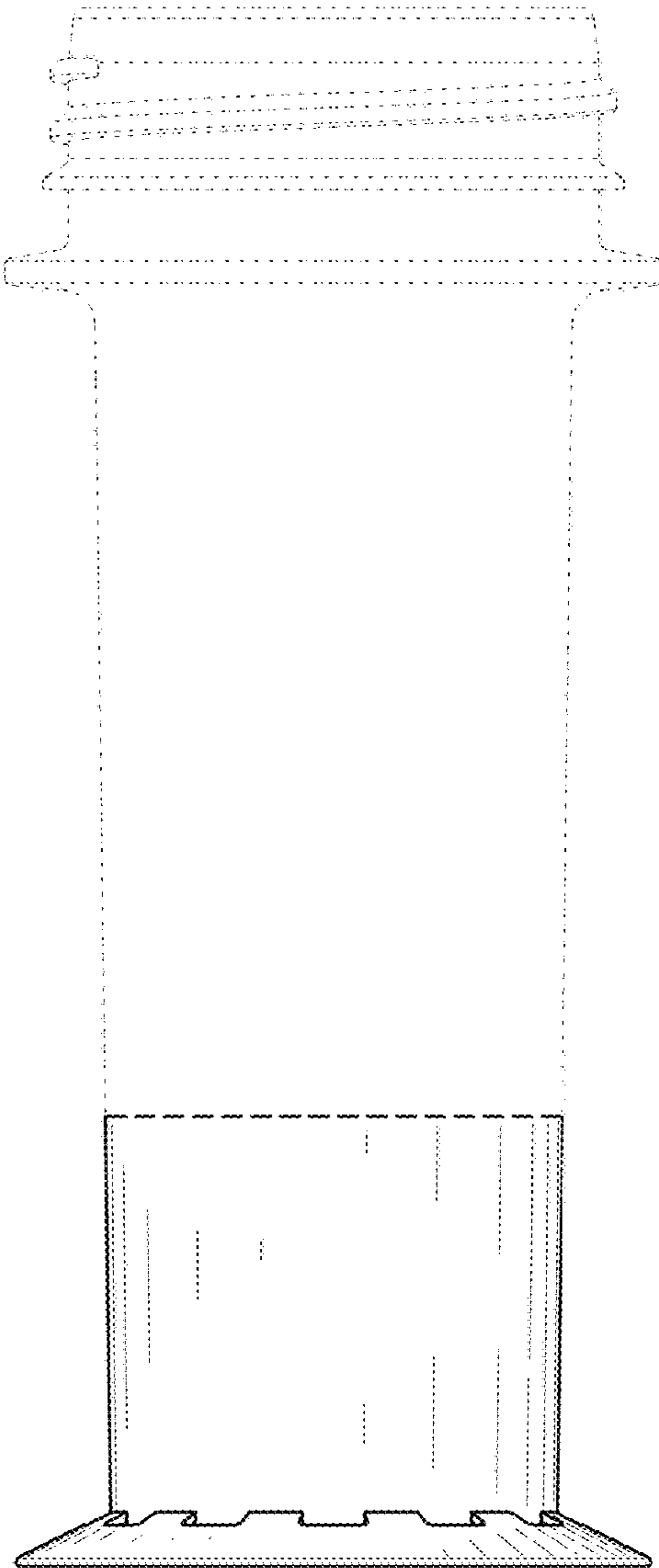


Fig. 4

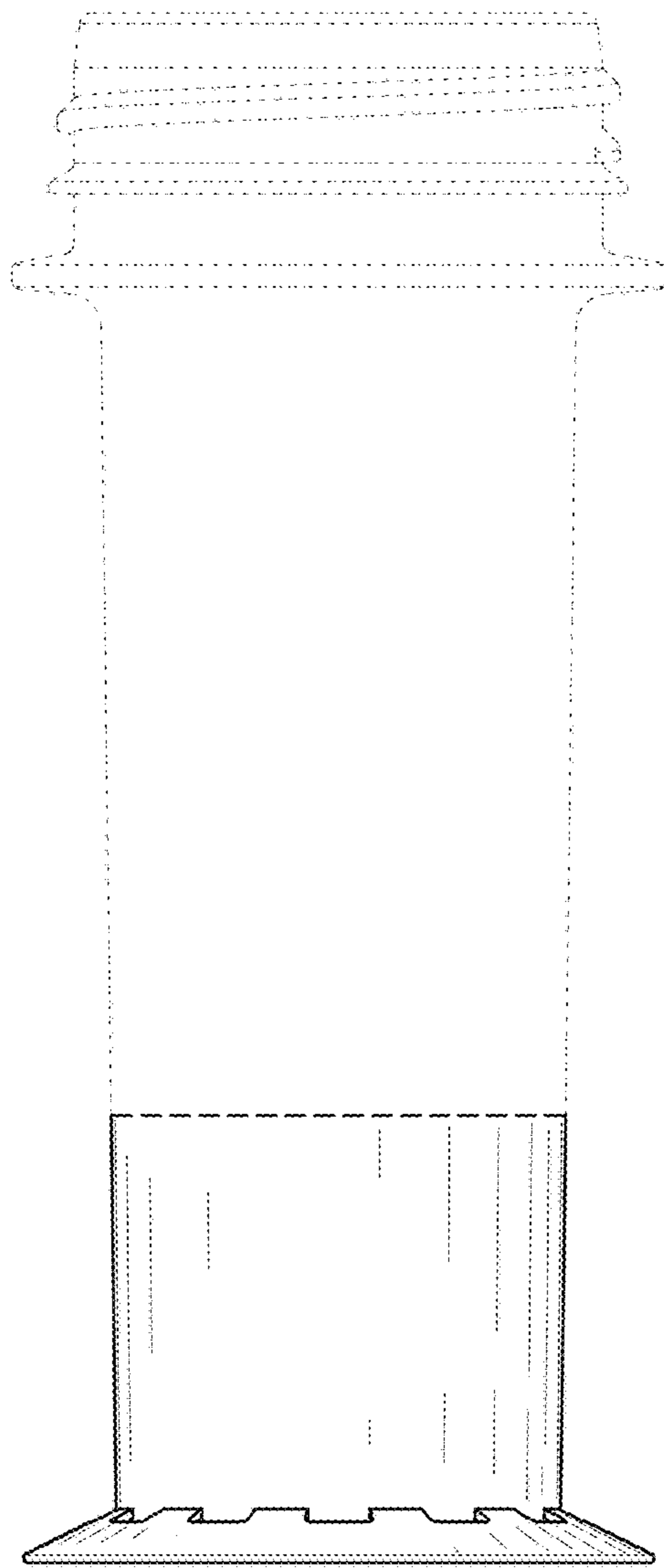


Fig. 5

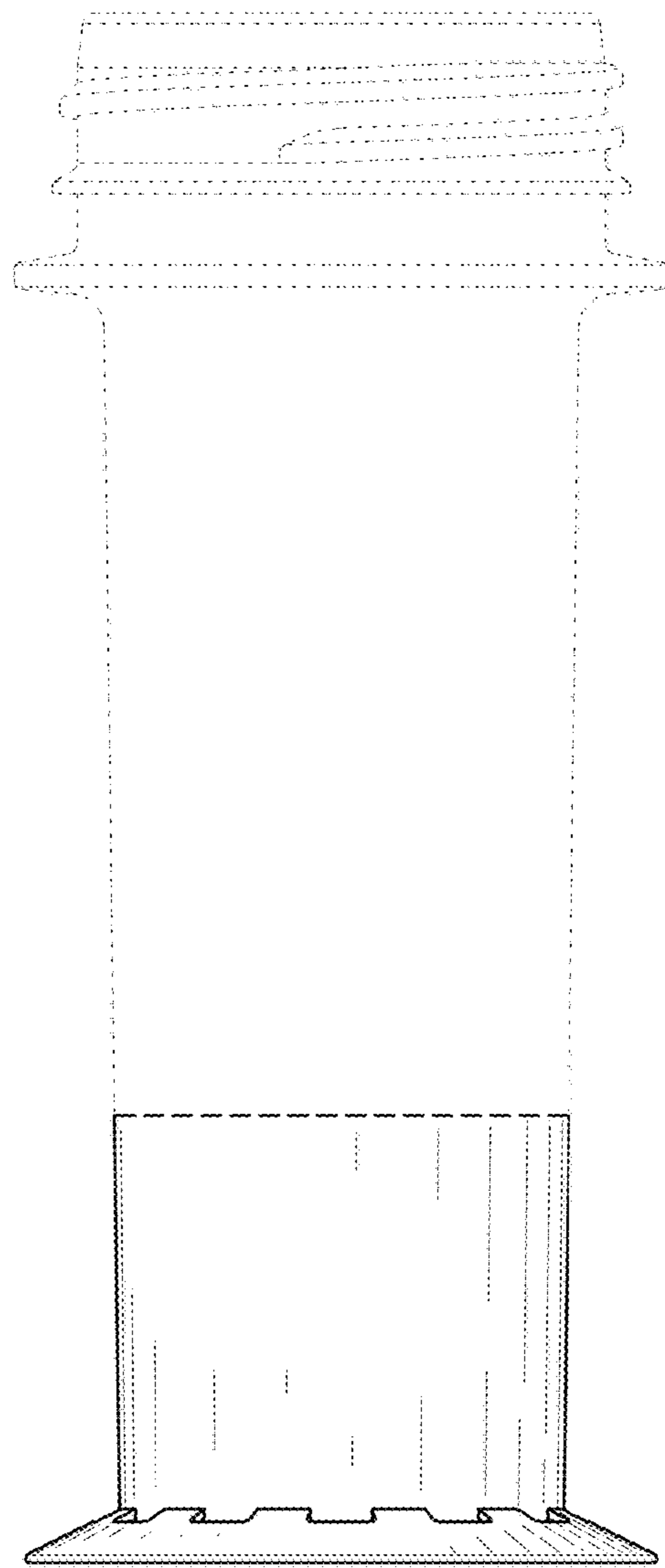


Fig. 6

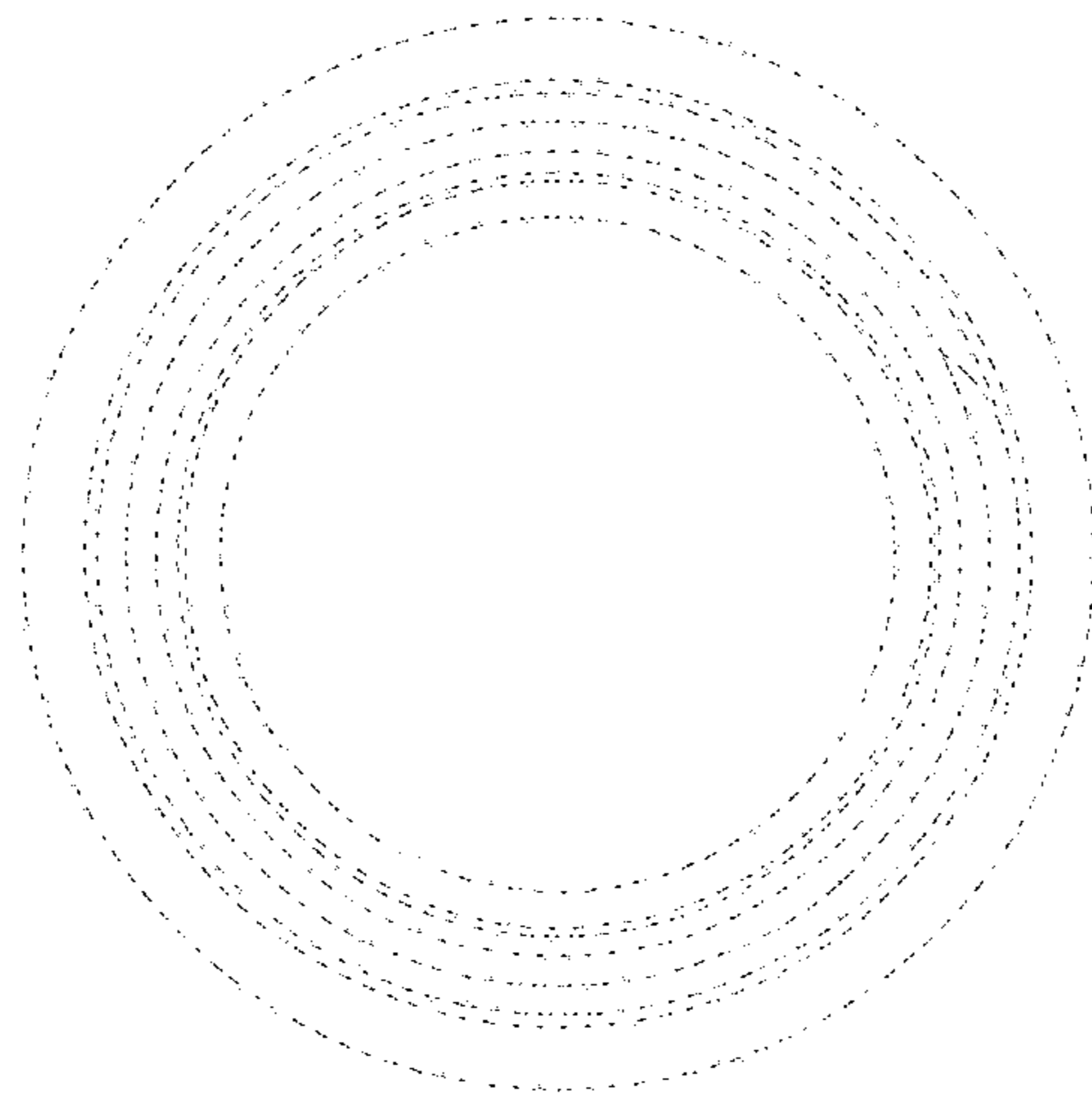


Fig. 7

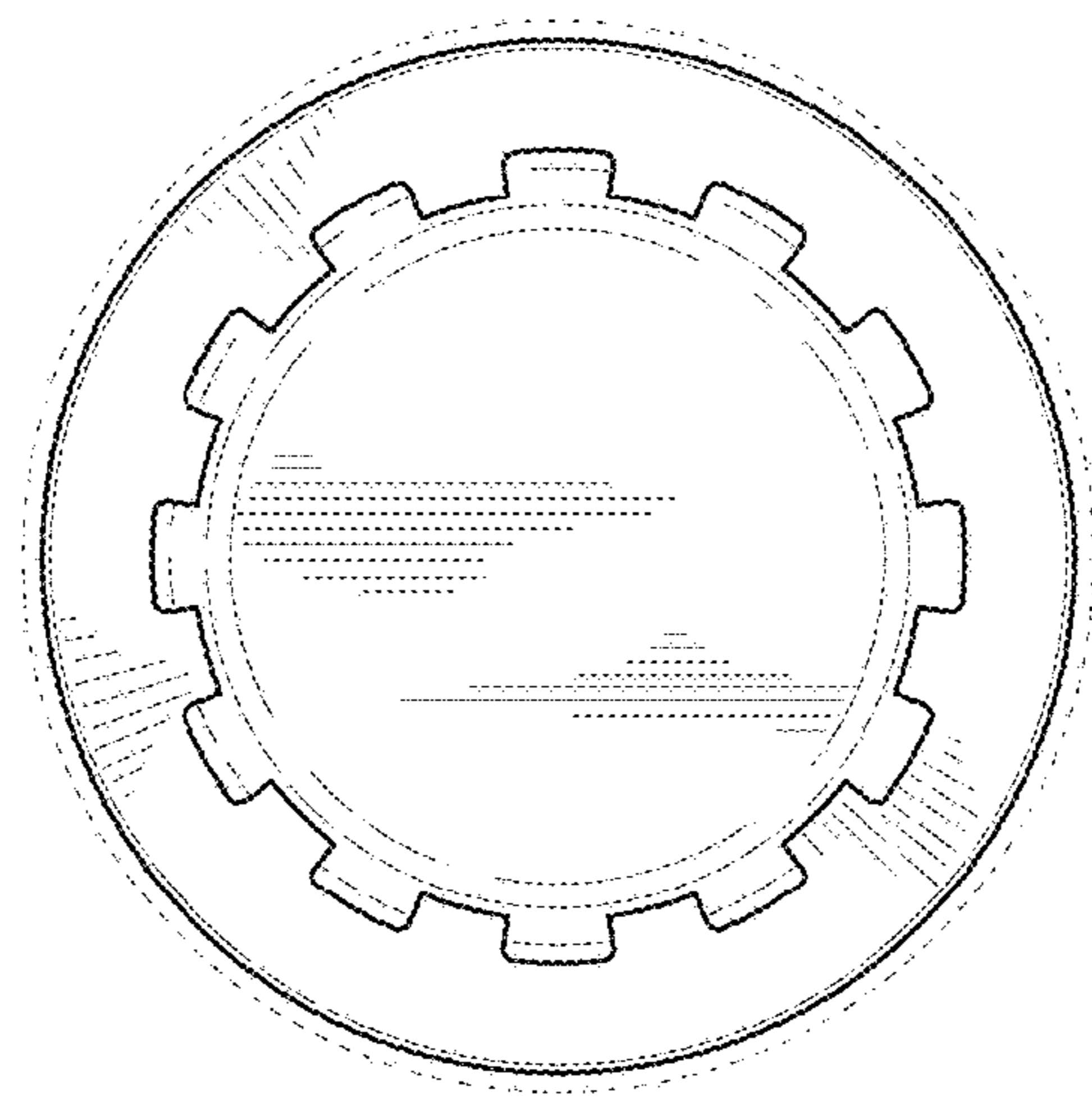


Fig. 8