



US00D868283S

(12) **United States Design Patent** (10) **Patent No.:** **US D868,283 S**  
**Glasgow et al.** (45) **Date of Patent:** **\*\* Nov. 26, 2019**

(54) **CARTRIDGE**  
(71) Applicant: **Forward Biotech, Inc.**, Averill Park, NY (US)  
(72) Inventors: **Ian K. Glasgow**, Averill Park, NY (US); **Ian White**, Philadelphia, PA (US); **Ian McDermott**, Lincoln University, PA (US)  
(73) Assignee: **Forward Biotech, Inc.**, Troy, NY (US)  
(\*\*) Term: **15 Years**

6,531,098 B1 3/2003 Kenney  
D531,321 S \* 10/2006 Godfrey ..... D24/225  
D610,698 S \* 2/2010 Laudo ..... D24/216  
7,861,581 B2 1/2011 Schardt et al.  
D645,950 S \* 9/2011 Kenyon ..... D23/379  
8,080,218 B2 12/2011 Karg et al.  
D664,262 S \* 7/2012 Khan ..... D15/29  
D669,582 S \* 10/2012 Weston ..... D24/147  
D672,042 S \* 12/2012 Delaey ..... D24/169  
D681,690 S \* 5/2013 Xia ..... D15/29  
D695,906 S \* 12/2013 Okuda ..... D24/220  
9,517,464 B2 12/2016 Glasgow et al.  
D797,285 S \* 9/2017 Martin ..... D24/145  
D831,209 S \* 10/2018 Huitema ..... D24/145  
D834,721 S \* 11/2018 Klein ..... D24/225

(Continued)

(21) Appl. No.: **29/599,040**  
(22) Filed: **Mar. 30, 2017**  
(51) **LOC (12) Cl.** ..... **24-02**  
(52) **U.S. Cl.**  
USPC ..... **D24/220**  
(58) **Field of Classification Search**  
USPC ..... D24/220, 185, 225, 169, 216, 224, 145,  
D24/147; D23/379; D15/29  
CPC ..... B01L 3/5025; G01F 25/0092  
See application file for complete search history.

**FOREIGN PATENT DOCUMENTS**

WO 2015-099532 A1 7/2015  
*Primary Examiner* — Rhea Shields  
(74) *Attorney, Agent, or Firm* — LaBatt, LLC

(57) **CLAIM**

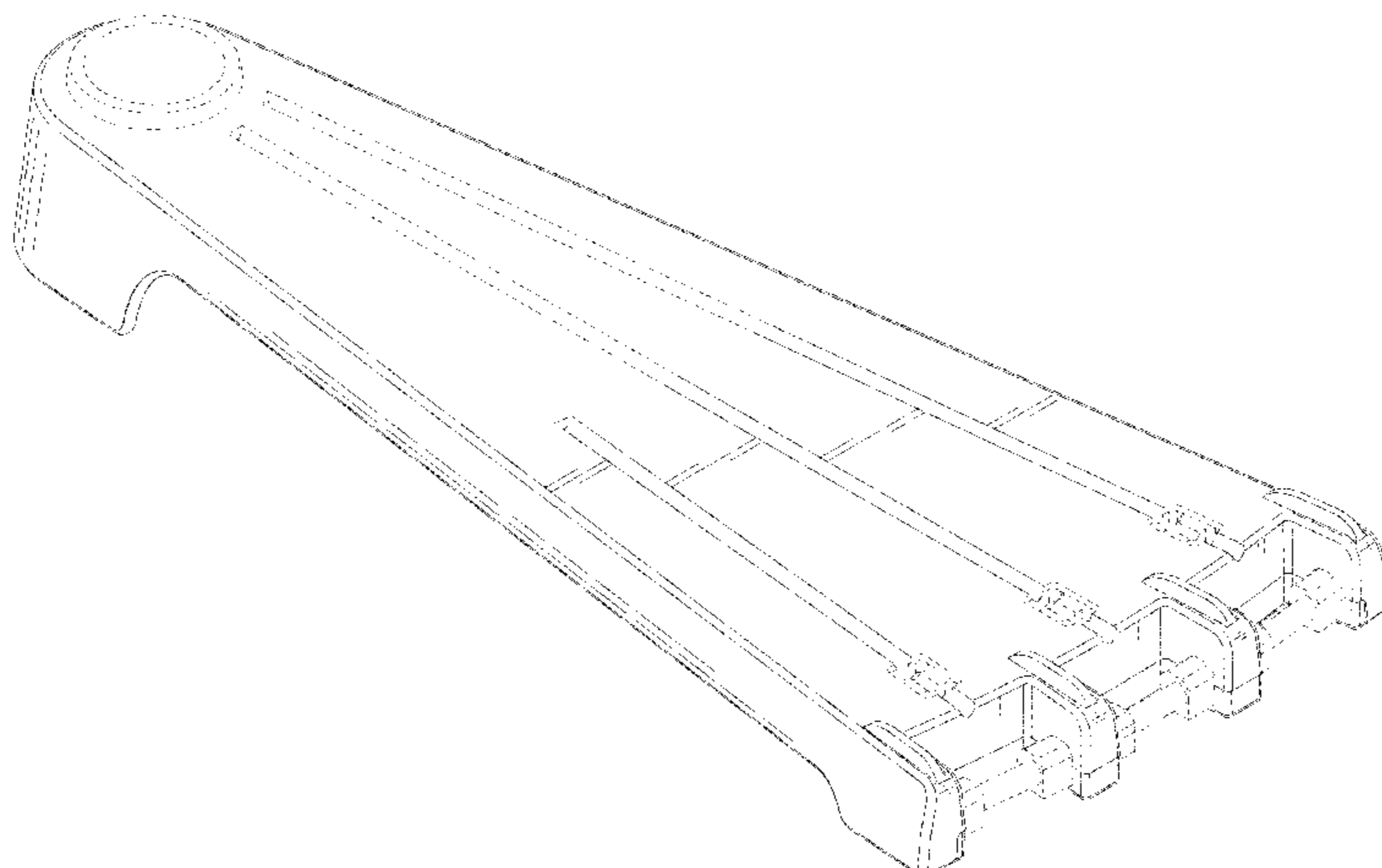
The ornamental design for a cartridge, as shown and described.

**DESCRIPTION**

FIG. 1 is a perspective view of a cartridge according to the present design.  
FIG. 2 is a front view of the cartridge shown in FIG. 1.  
FIG. 3 is a rear view of the cartridge shown in FIG. 1.  
FIG. 4 is a top plan view of the cartridge shown in FIG. 1.  
FIG. 5 is a bottom view of the cartridge shown in FIG. 1; and,  
FIG. 6 is a right side elevation view of the cartridge shown in FIG. 1, the left side elevation view being a mirror image thereof.  
The broken lines illustrate portions of the cartridge that form no part of the claimed design.

**1 Claim, 6 Drawing Sheets**

(56) **References Cited**  
U.S. PATENT DOCUMENTS  
3,952,599 A 4/1976 Ayres  
4,178,345 A \* 12/1979 Terk ..... B01L 3/5025  
422/430  
D298,967 S \* 12/1988 Hunt ..... D24/145  
5,059,398 A 10/1991 Kenney  
5,173,266 A 12/1992 Kenney  
D341,663 S \* 11/1993 Coulter ..... D24/224  
5,460,782 A 10/1995 Coleman et al.  
D369,868 S \* 5/1996 Nazareth ..... D24/224  
5,599,502 A 2/1997 Miyazaki et al.  
D383,852 S \* 9/1997 Shartle ..... D24/216  
D435,665 S \* 12/2000 Ogle ..... D24/216  
6,401,769 B1 6/2002 Backes et al.



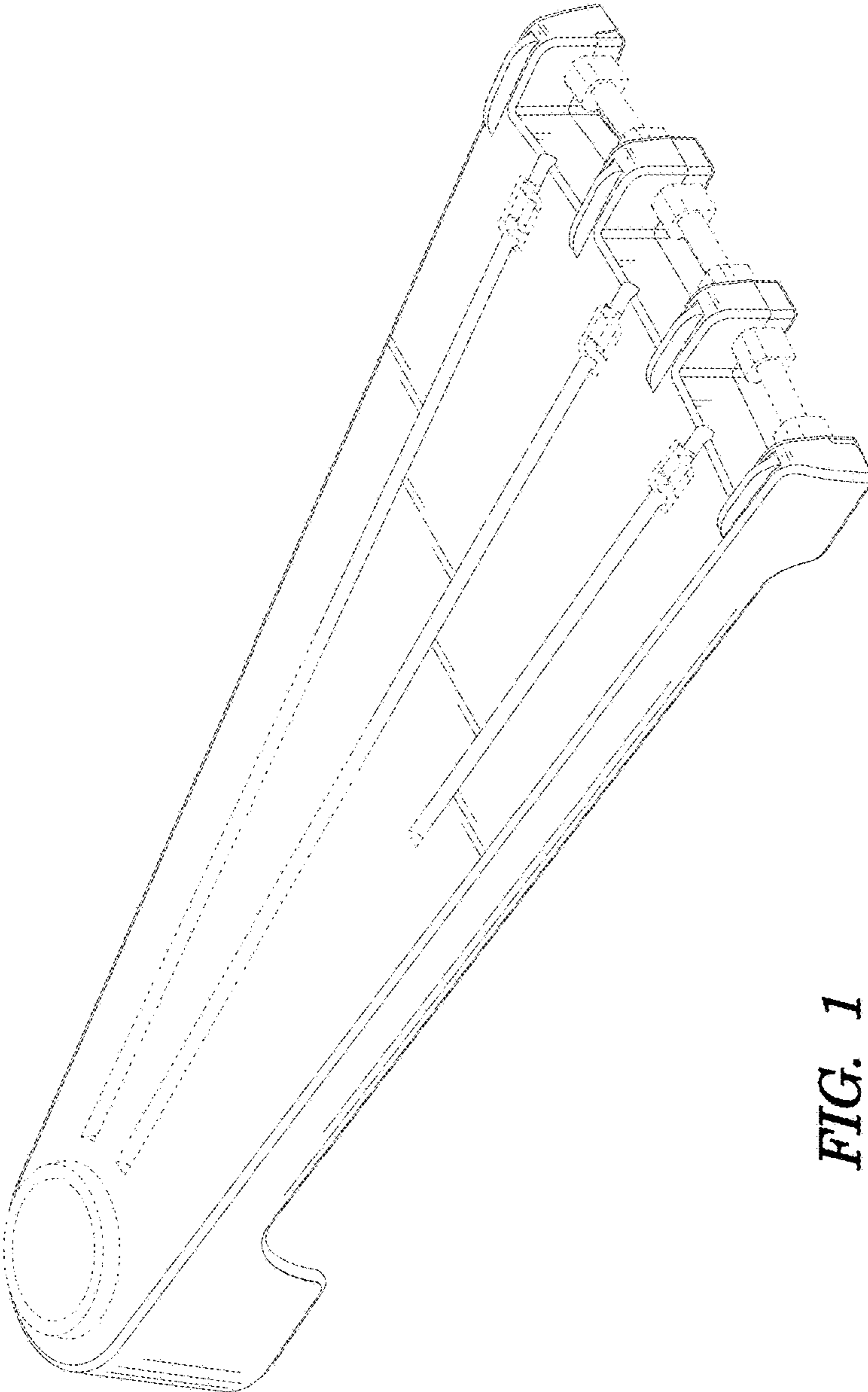
(56)

**References Cited**

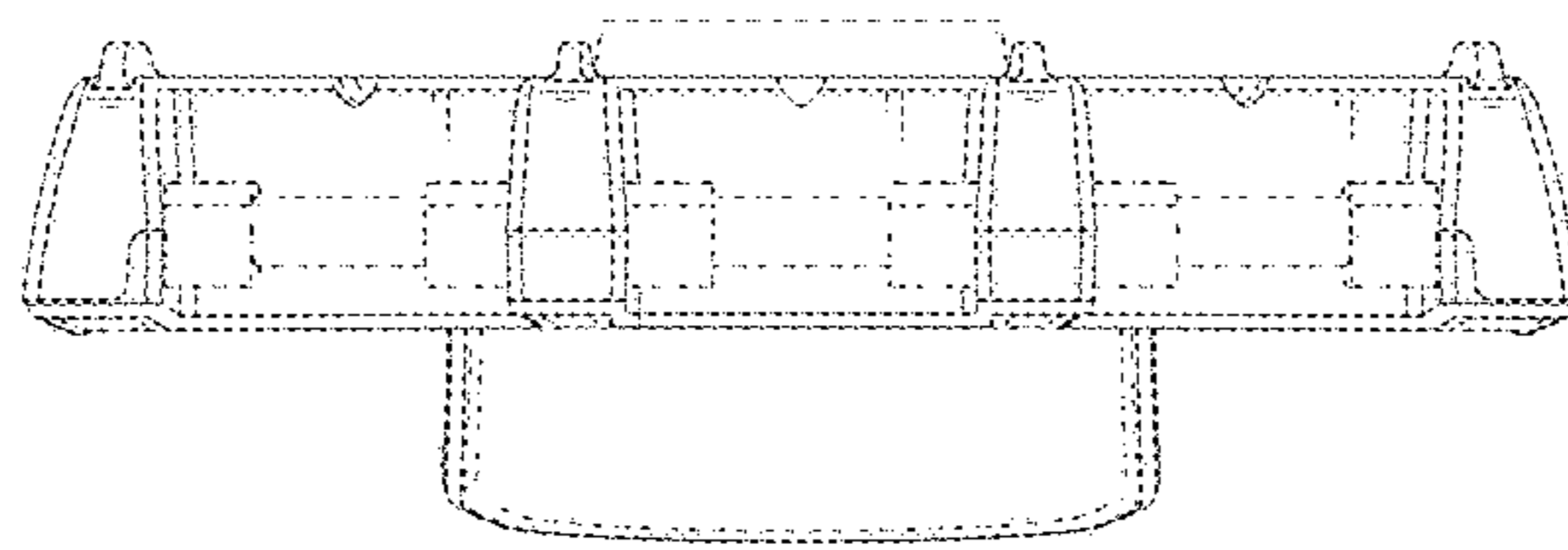
U.S. PATENT DOCUMENTS

D836,198	S	*	12/2018	Harris .....	D24/145
D837,998	S	*	1/2019	Schaff .....	D24/219
D840,051	S	*	2/2019	Schulz .....	D24/224
2003/0107738	A1		6/2003	Curtis	
2006/0233671	A1		10/2006	Beard et al.	
2007/0086927	A1		4/2007	Natarajan et al.	
2008/0066523	A1		3/2008	Schmid et al.	
2008/0145835	A1		6/2008	Alajem et al.	
2009/0193913	A1		8/2009	Saiki	
2010/0267065	A1		10/2010	Geiger et al.	
2010/0303686	A1		12/2010	Horiuchi et al.	
2011/0056287	A1		3/2011	Schardt et al.	
2013/0164193	A1		6/2013	Semenov et al.	
2014/0150522	A1		6/2014	Glasgow et al.	
2019/0033120	A1	*	1/2019	Glasgow .....	G01F 25/0092

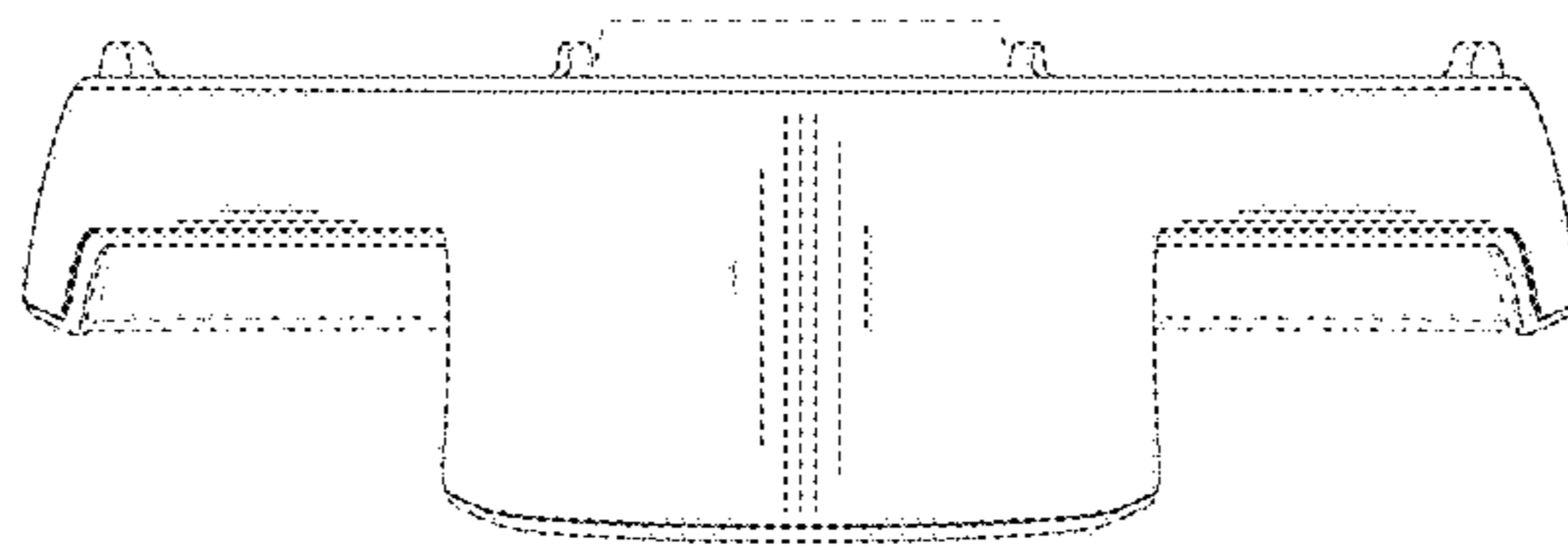
\* cited by examiner



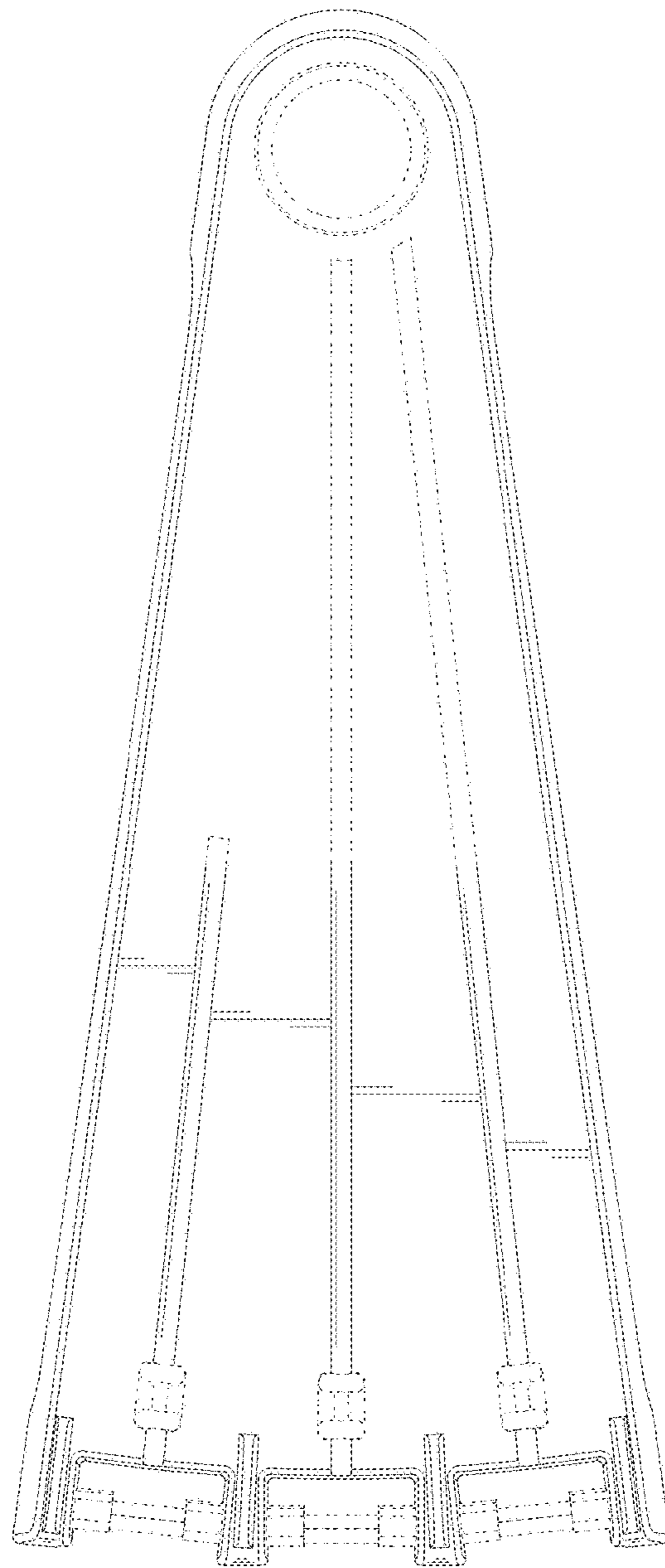
*FIG. 1*



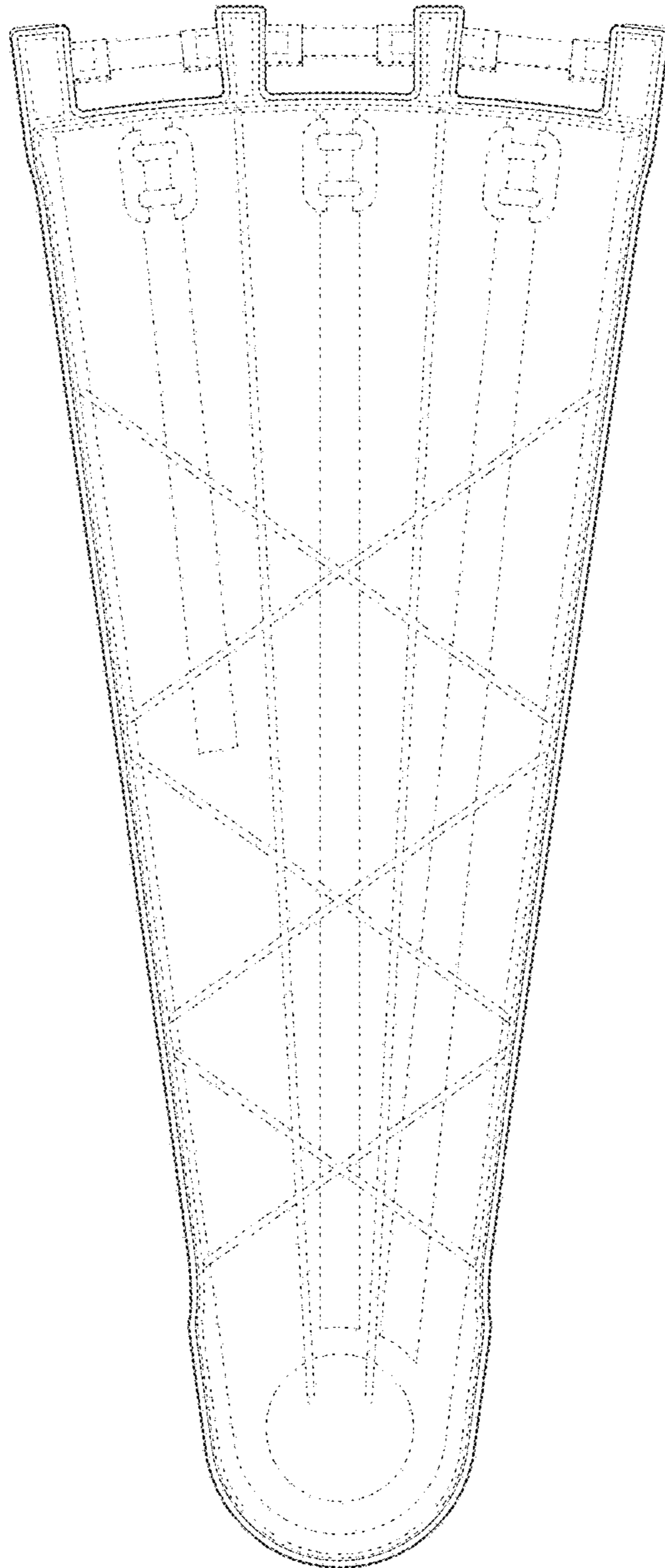
*FIG. 2*



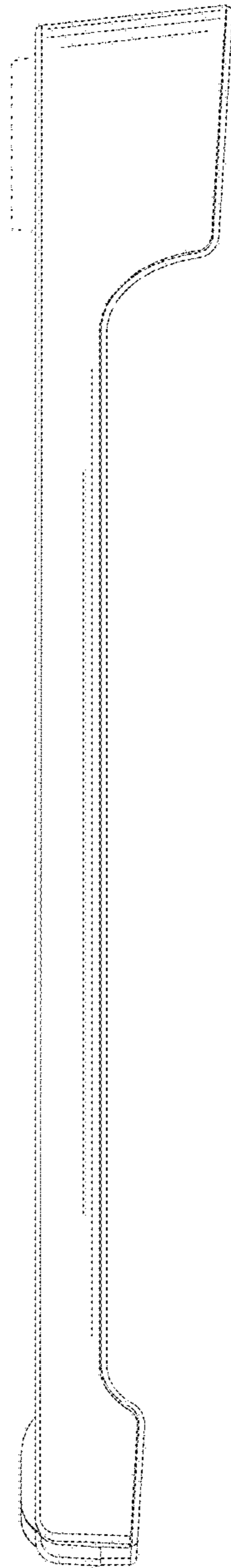
*FIG. 3*



**FIG. 4**



*FIG. 5*



*FIG. 6*