



US00D868282S

(12) **United States Design Patent** (10) **Patent No.:** **US D868,282 S**  
**LiCalzi et al.** (45) **Date of Patent:** **\*\* Nov. 26, 2019**

(54) **SYSTEM INCLUDING MULTIPLE INSTRUMENT MODULES AND ARRANGEMENT THEREOF**

*Primary Examiner* — Wan Laymon  
*Assistant Examiner* — Mark Booker

(71) Applicant: **Siemens Healthcare Diagnostics Inc.**,  
Tarrytown, NY (US)

(57) **CLAIM**

The ornamental design for a system including multiple instrument modules and arrangement thereof, as shown and described.

(72) Inventors: **Daniel LiCalzi**, New York, NY (US);  
**Youngsang Lee**, Flushing, NY (US);  
**Mark Lloyd**, Townsend, DE (US);  
**Gregory Bange**, Newark, DE (US);  
**Richard Warwick**, Newark, DE (US);  
**Robert Faranda**, Boxborough, MA (US);  
**Richard Watson**, Norwell, MA (US);  
**Justin Cumming**, Topsfield, MA (US);  
**Scott Salmon**, Tenafly, NJ (US);  
**Josh Hartl**, Philadelphia, PA (US)

**DESCRIPTION**

(73) Assignee: **Siemens Healthcare Diagnostics Inc.**,  
Tarrytown, NY (US)

FIG. 1 is a front perspective view of a system including multiple instrument modules and arrangement thereof in accordance with an embodiment;  
FIG. 2 is a rear perspective view of a system including multiple instrument modules and arrangement thereof;  
FIG. 3 is a front elevational view of a system including multiple instrument modules and arrangement thereof;  
FIG. 4 is a rear elevational view of a system including multiple instrument modules and arrangement thereof;  
FIG. 5 is a left side elevational view of a system including multiple instrument modules and arrangement thereof;  
FIG. 6 is a right side elevational view of a system including multiple instrument modules and arrangement thereof;  
FIG. 7 is a top view of a system including multiple instrument modules and arrangement thereof;  
FIG. 8 is a bottom view of a system including multiple instrument modules and arrangement thereof;  
FIG. 9 is a front perspective view of a system including multiple instrument modules and arrangement thereof in accordance with another embodiment;  
FIG. 10 is a front elevational view of a system including multiple instrument modules and arrangement thereof;  
FIG. 11 is a rear elevational view of a system including multiple instrument modules and arrangement thereof;  
FIG. 12 is a left side elevational view of a system including multiple instrument modules and arrangement thereof;  
FIG. 13 is a right side elevational view of a system including multiple instrument modules and arrangement thereof;  
FIG. 14 is a top view of a system including multiple instrument modules and arrangement thereof; and,  
FIG. 15 is a bottom view of a system including multiple instrument modules and arrangement thereof.

(\*\*) Term: **15 Years**

(21) Appl. No.: **29/646,358**

(22) Filed: **May 3, 2018**

**Related U.S. Application Data**

(62) Division of application No. 29/569,428, filed on Jun. 27, 2016, now Pat. No. Des. 820,995.

(51) **LOC (12) Cl.** ..... **24-01**

(52) **U.S. Cl.**  
USPC ..... **D24/216**

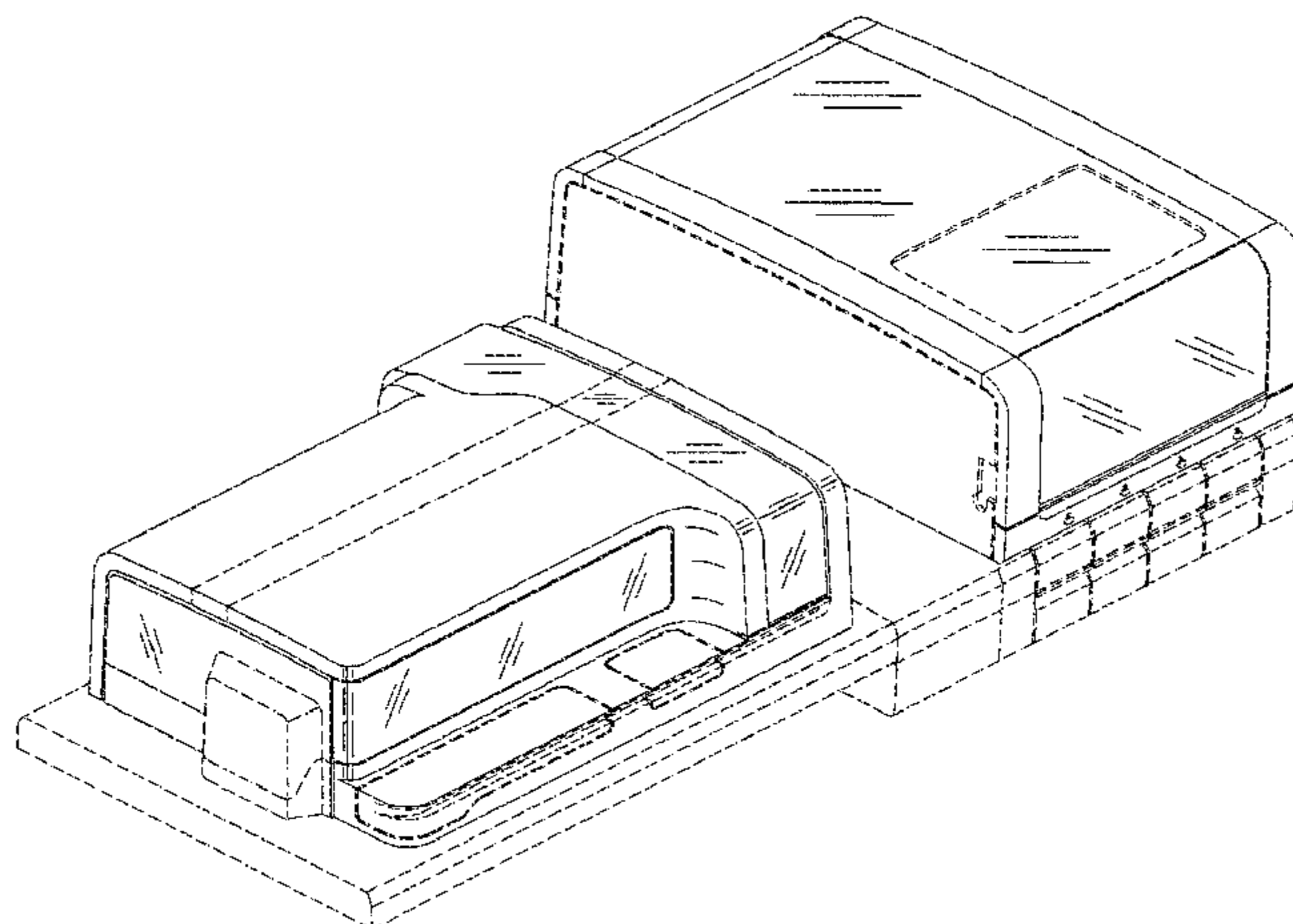
(58) **Field of Classification Search**  
USPC ..... D24/216, 111, 127, 107, 169, 186, 217,  
D24/219, 223–224, 231–234; D10/46,  
(Continued)

(56) **References Cited**

**U.S. PATENT DOCUMENTS**

D645,367 S \* 9/2011 Hayashi ..... D10/81  
D669,189 S \* 10/2012 Liu ..... D24/216  
(Continued)

(Continued)



The broken lines shown in the figures represent portions of the system including multiple instrument modules and arrangement thereof that form no part of the claimed design.

**1 Claim, 15 Drawing Sheets**

(58) **Field of Classification Search**

USPC ..... D10/70, 81, 97; 422/1, 62-65, 67, 68.1,  
422/70, 81, 129, 500, 506, 561,  
422/FOR. 106; 435/287.1, 287.3;  
436/43, 45, 47; 600/300, 301, 368, 372,  
600/481, 529, 544, 554, 561; 607/4, 5, 9,  
607/30

CPC ... G01R 31/31907; B04B 13/00; B04B 15/00;  
B04B 2005/0435; B04B 5/0421; A61B  
5/157; G06F 19/366; B01D 21/262

See application file for complete search history.

(56) **References Cited**

U.S. PATENT DOCUMENTS

D676,143 S *	2/2013	Liu .....	D24/216
D676,568 S *	2/2013	Liu .....	D24/216
D685,483 S *	7/2013	LiCalzi .....	D24/216
D724,753 S *	3/2015	Gutmann .....	D24/216
D735,878 S *	8/2015	Chang .....	D24/216
D738,243 S *	9/2015	Selberg .....	D10/81

\* cited by examiner

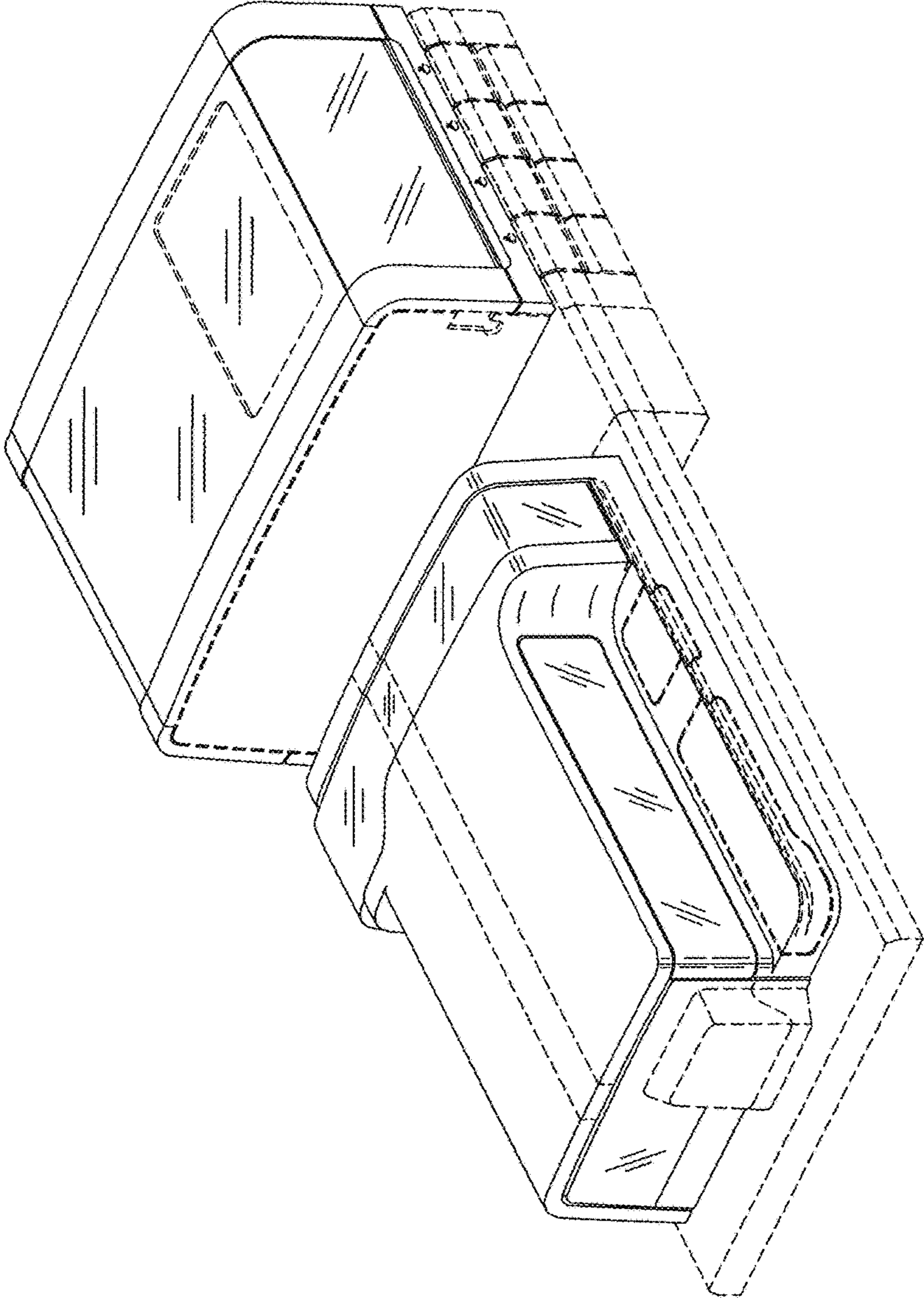


FIG. 1

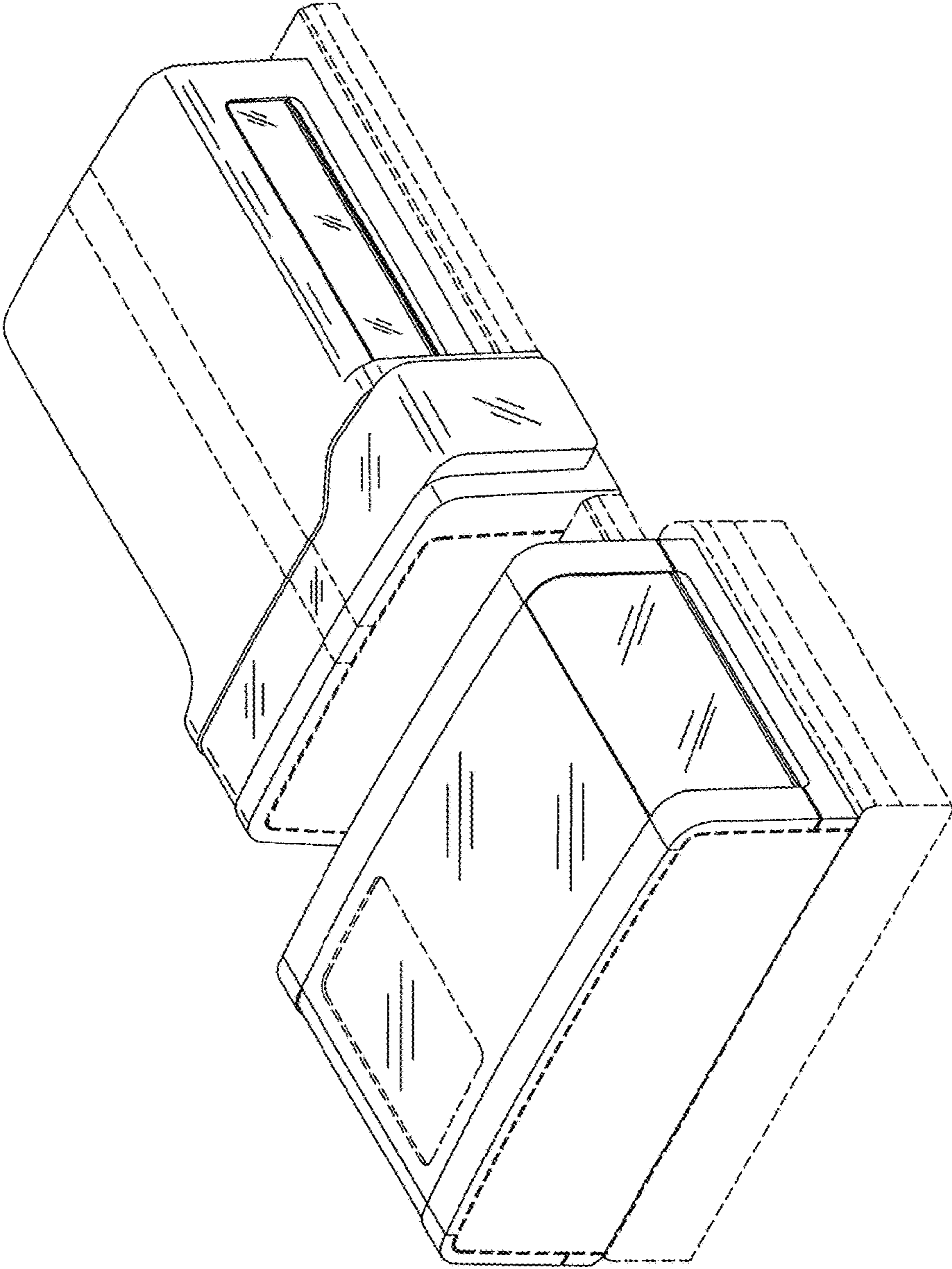


FIG. 2

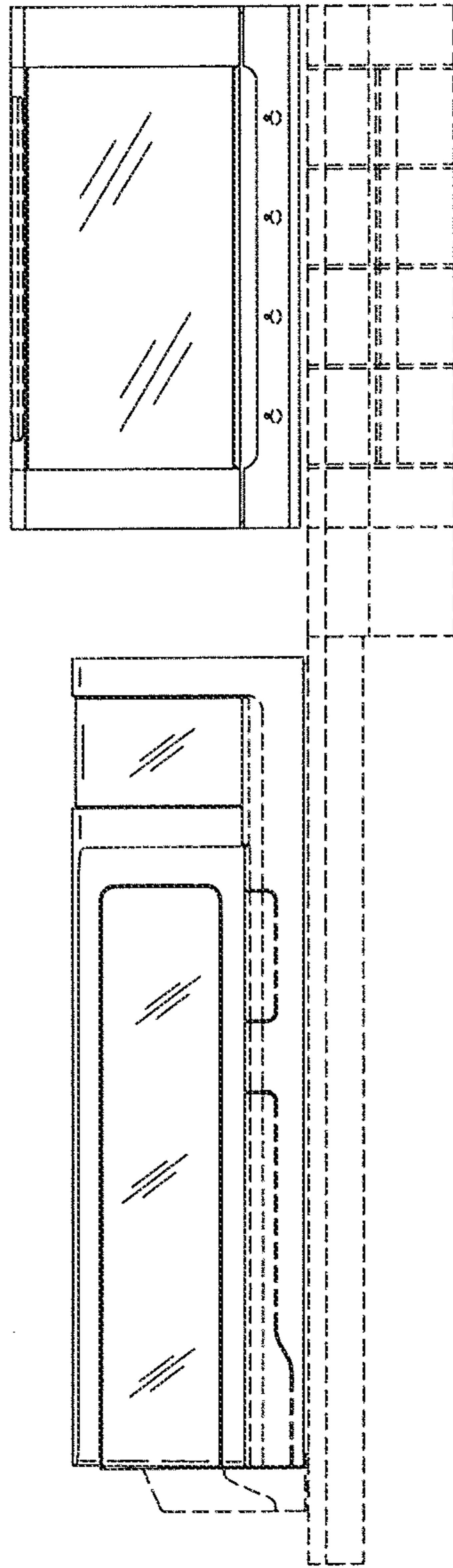


FIG. 3

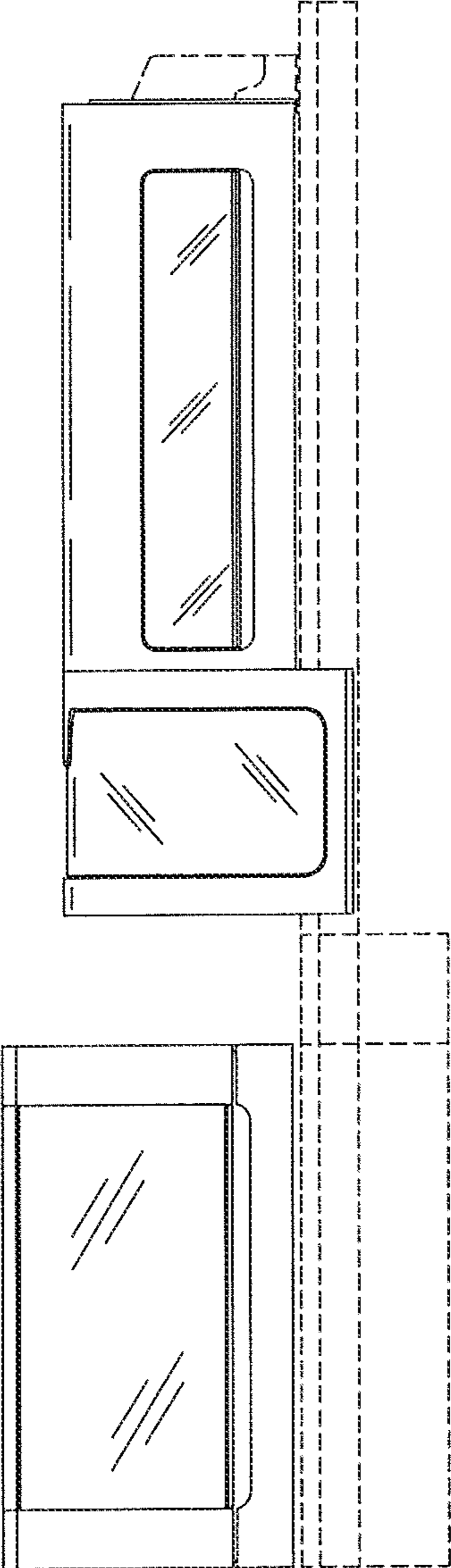


FIG. 4

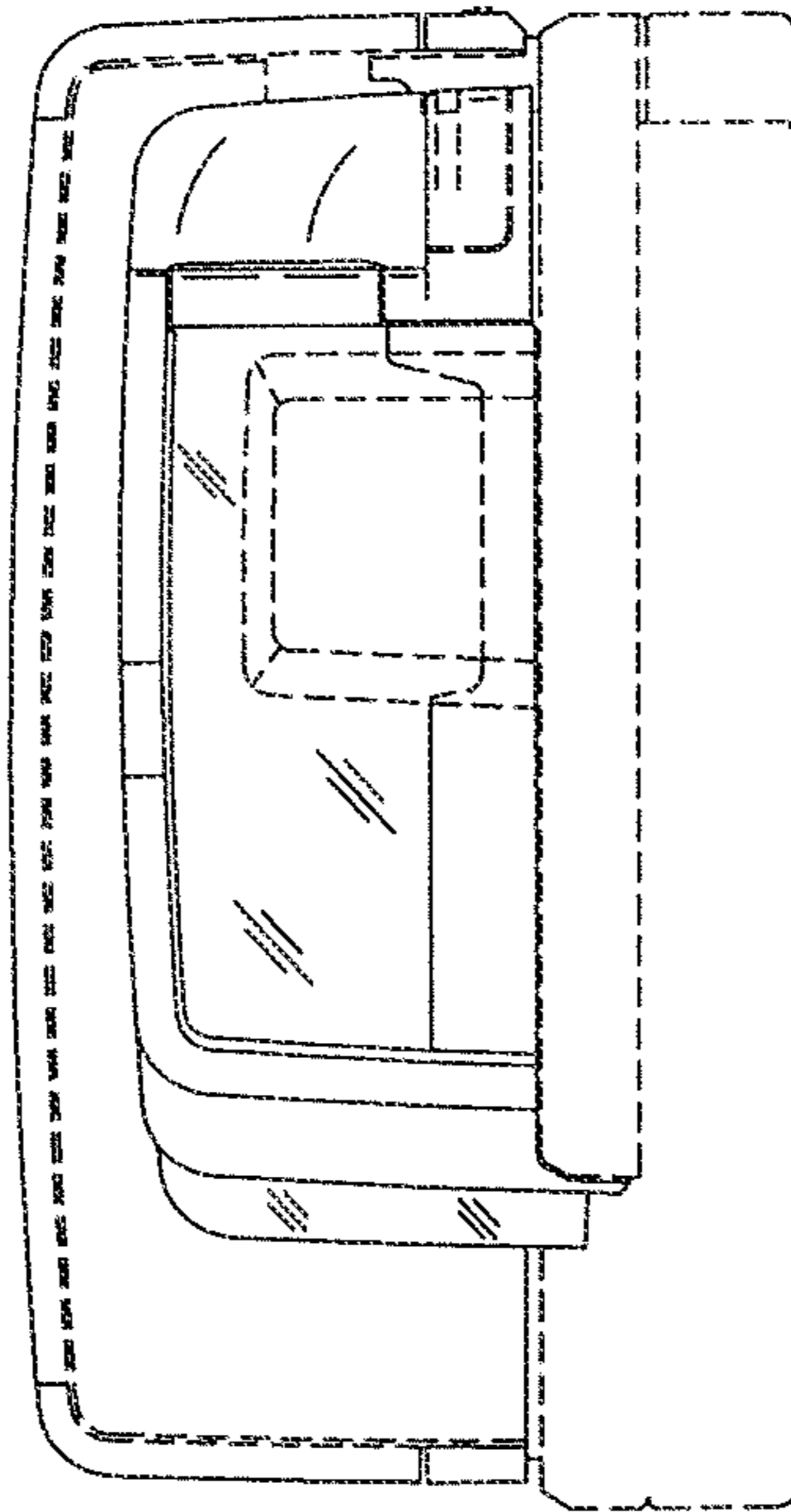


FIG. 5

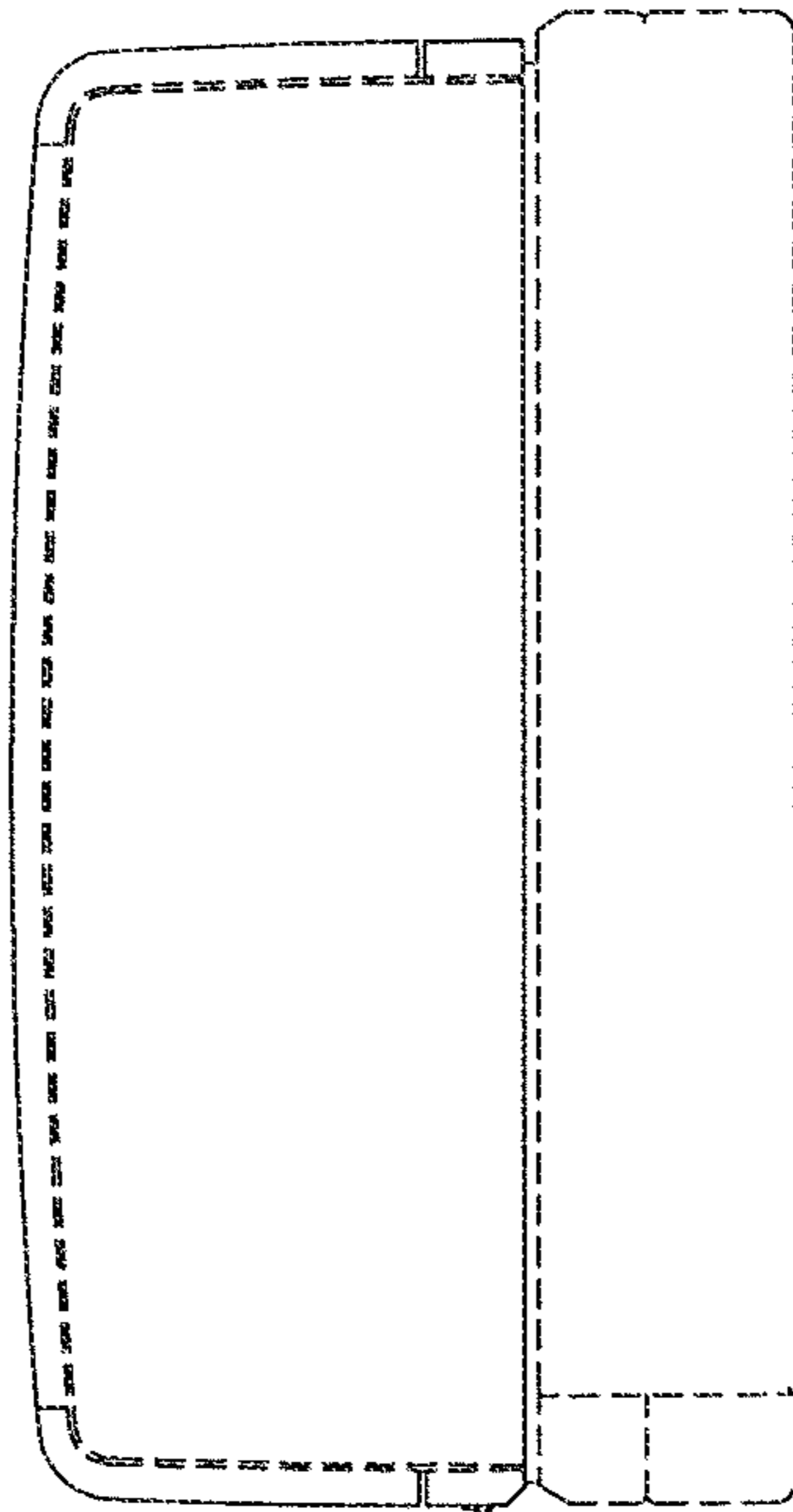


FIG. 6



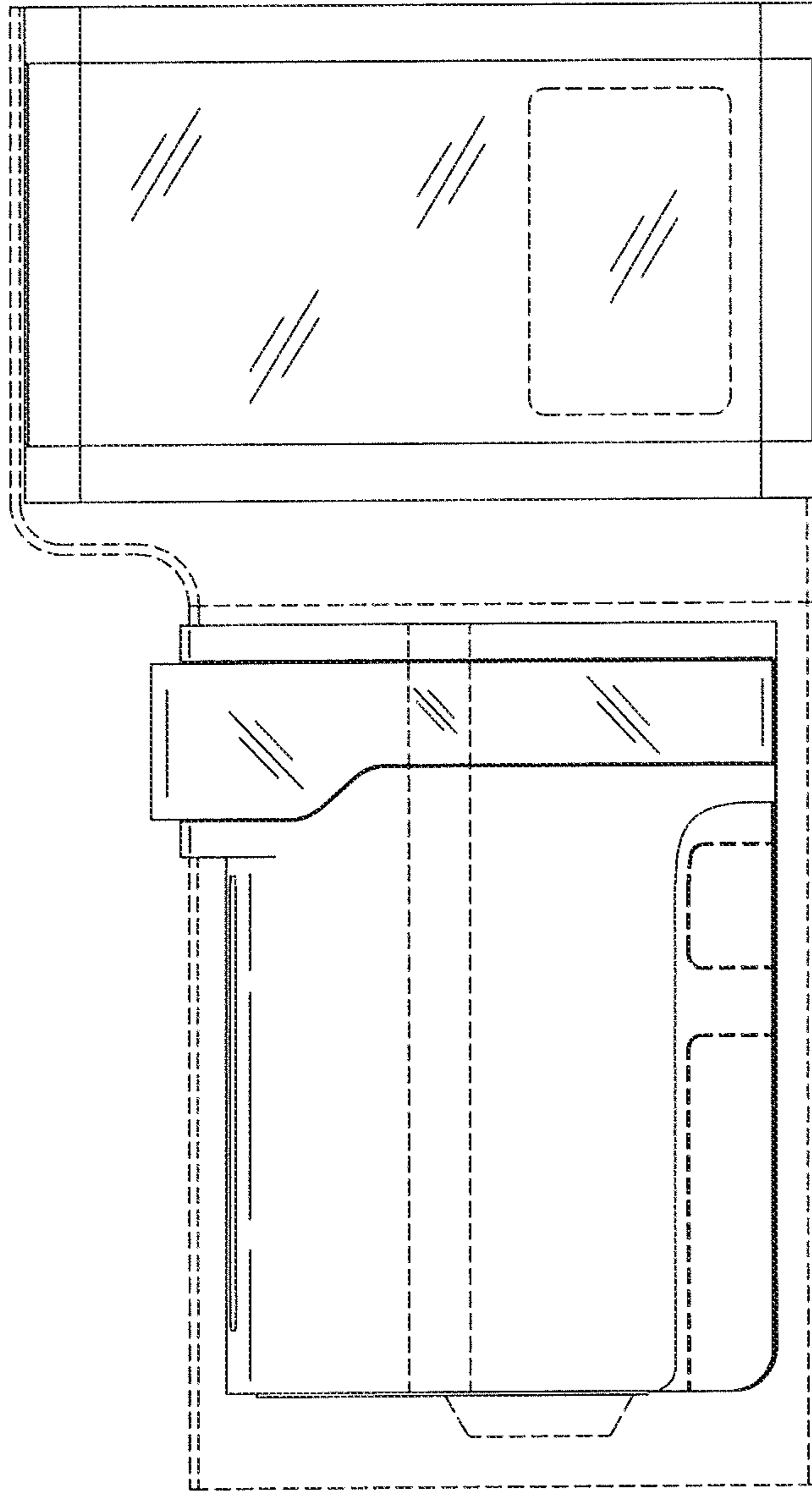


FIG. 7

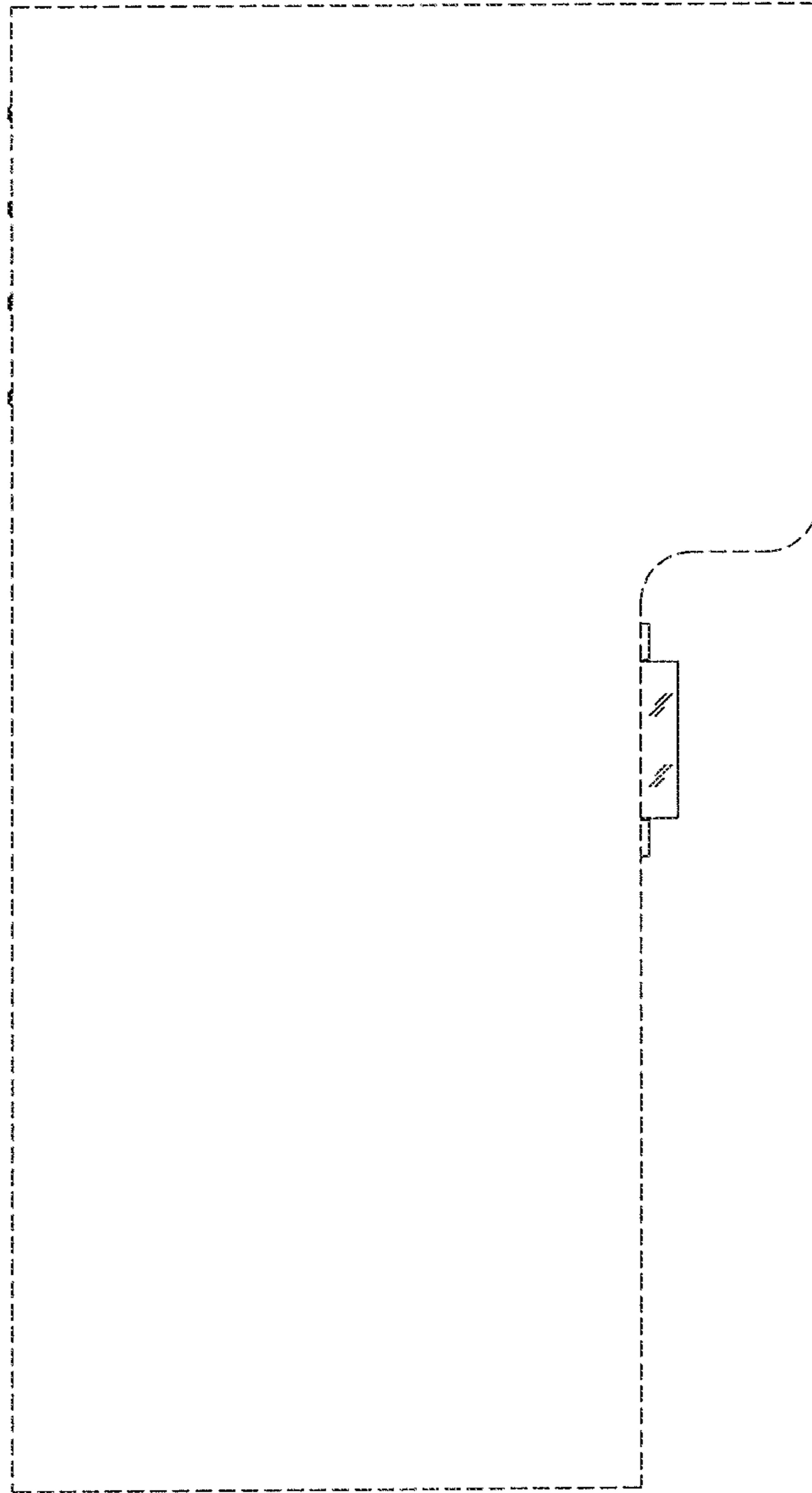


FIG. 8

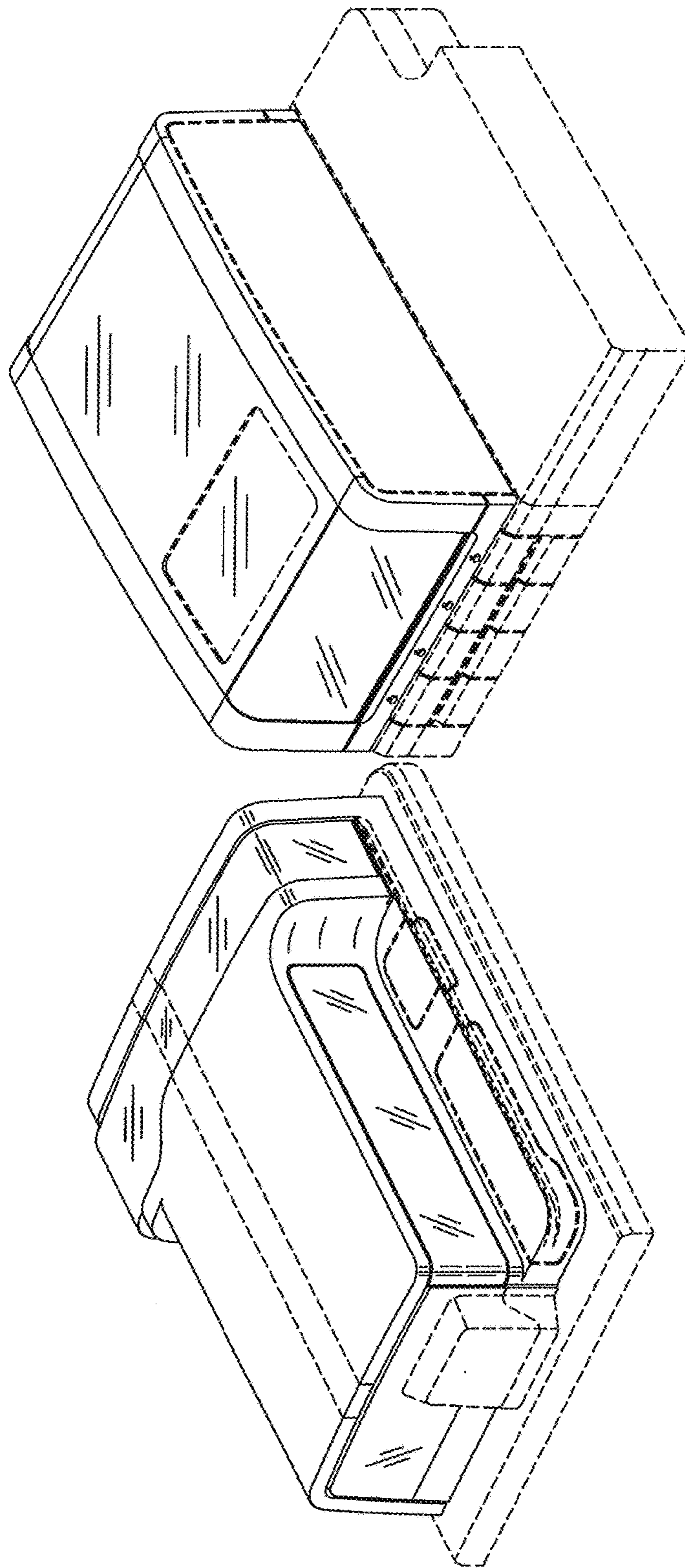


FIG. 9

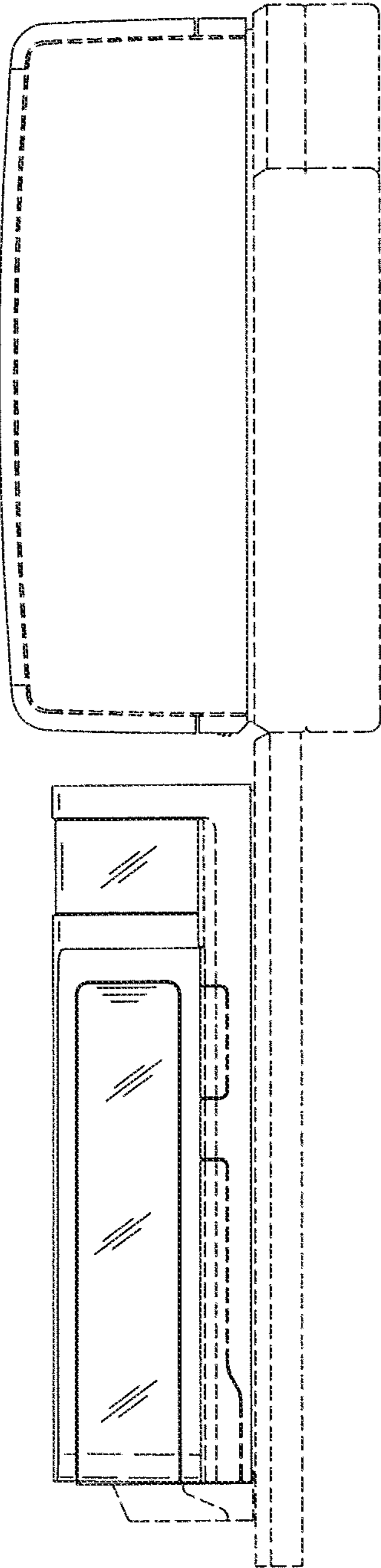


FIG. 10

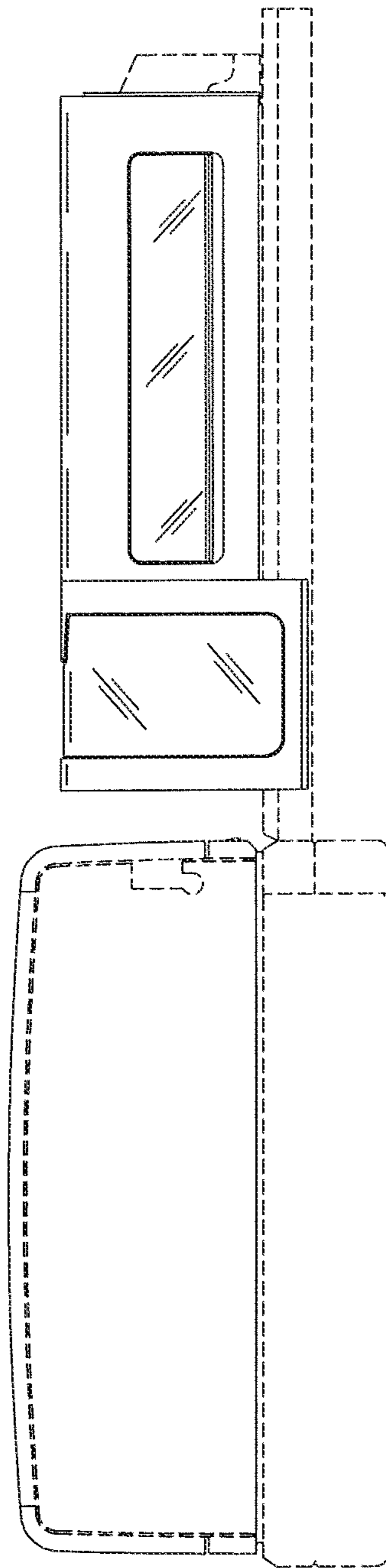


FIG. 11

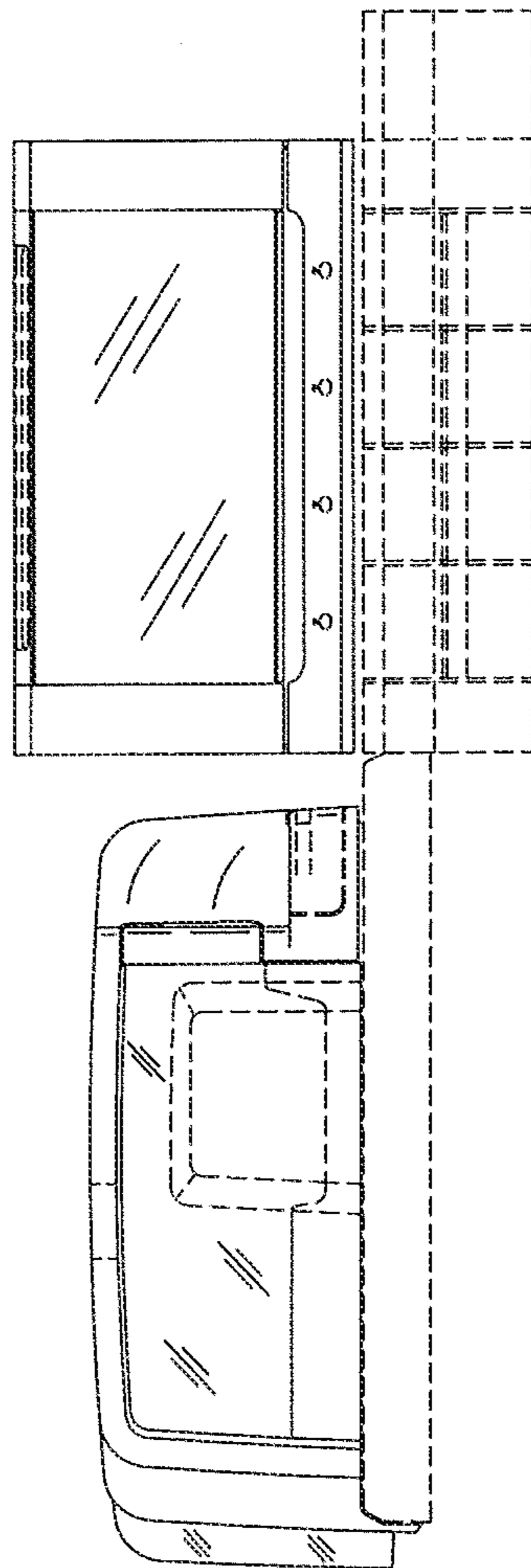


FIG. 12

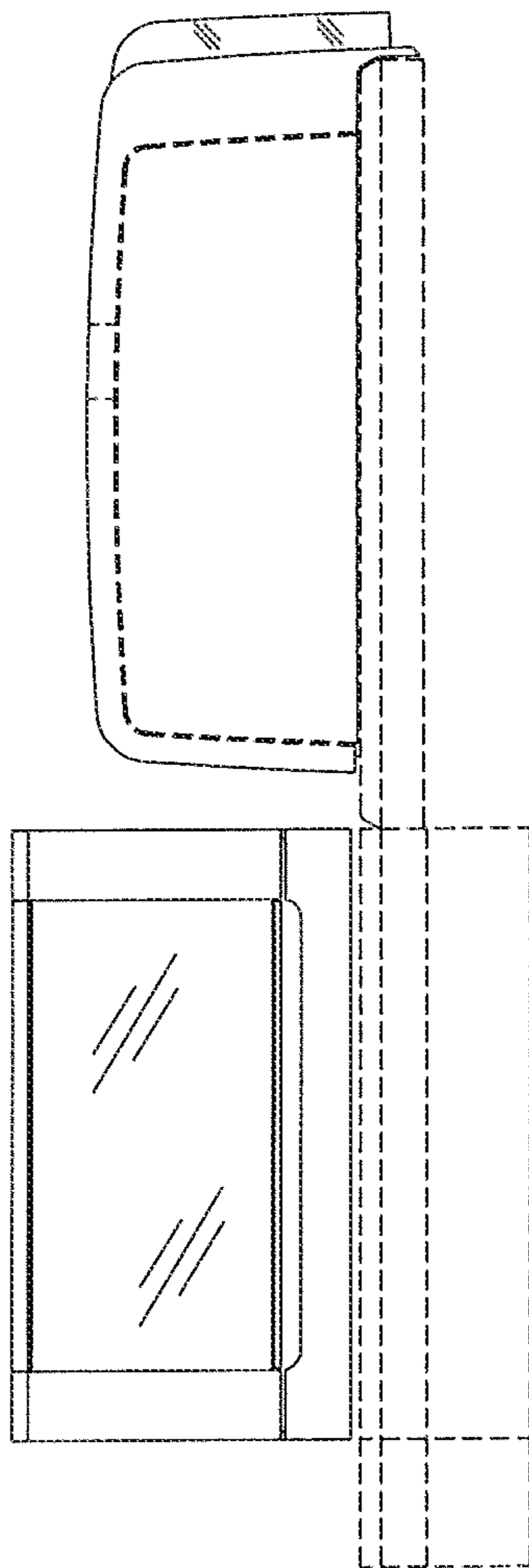


FIG. 13

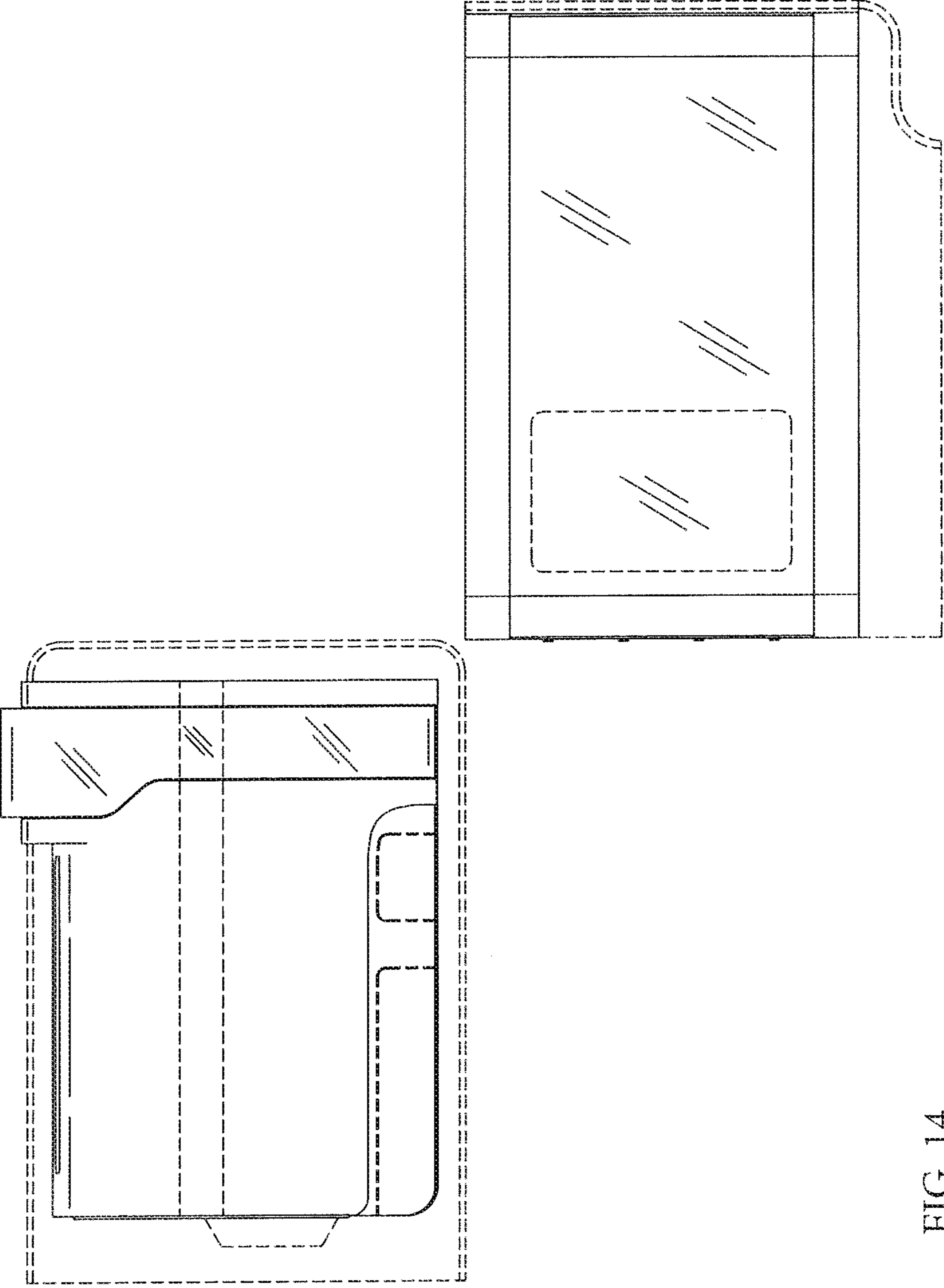


FIG. 14



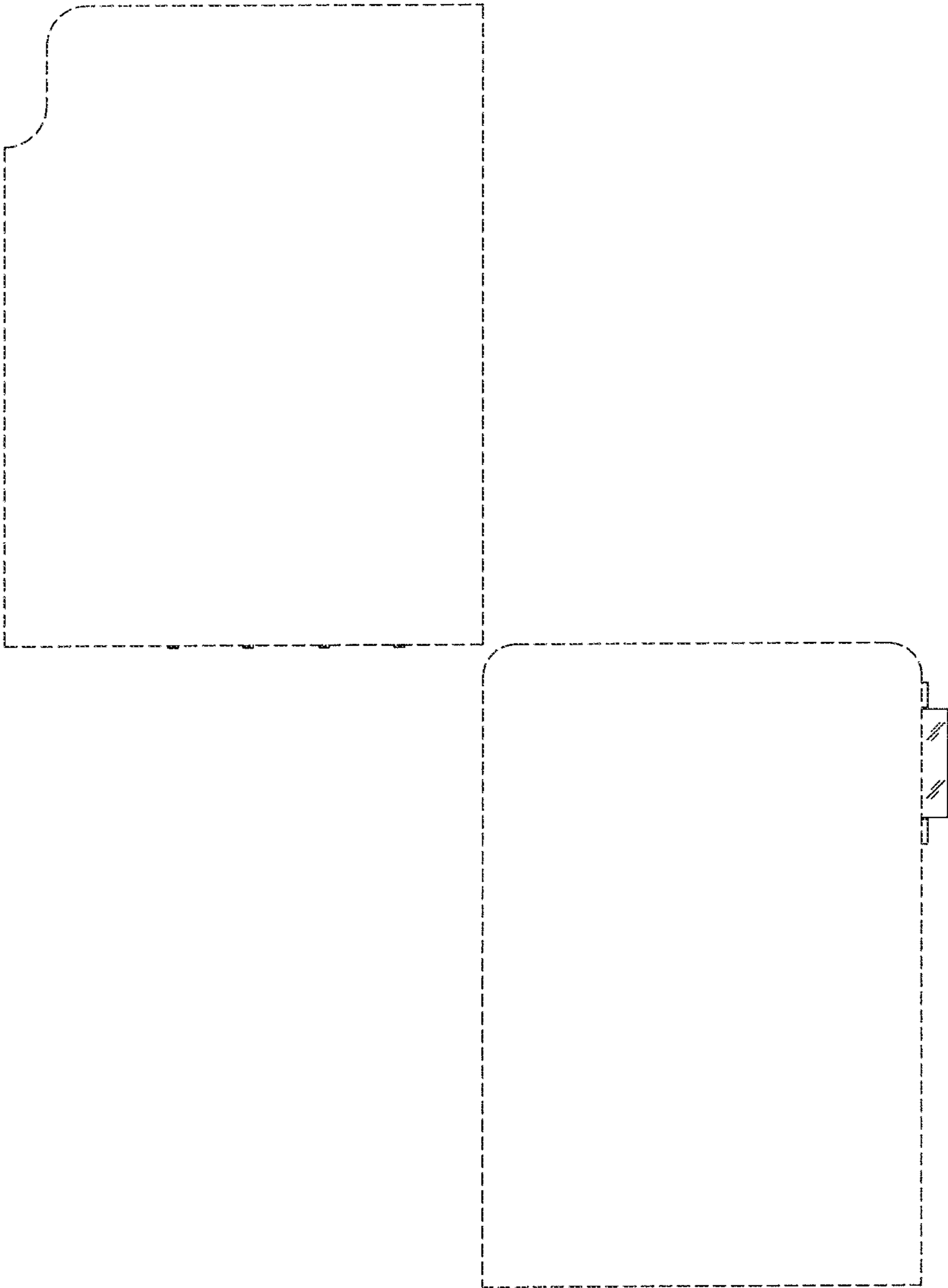


FIG. 15