



US00D868280S

(12) **United States Design Patent**  
**Smith et al.**

(10) **Patent No.:** **US D868,280 S**

(45) **Date of Patent:** **\*\* Nov. 26, 2019**

- (54) **MASSAGER HEAD**
- (71) Applicant: **WAHL CLIPPER CORPORATION**,  
Sterling, IL (US)
- (72) Inventors: **Ryan Smith**, Dixon, IL (US); **Jenny McLaughlin**, Amboy, IL (US)
- (73) Assignee: **WAHL CLIPPER CORPORATION**,  
Sterling, IL (US)
- (\*\*) Term: **15 Years**
- (21) Appl. No.: **29/662,968**
- (22) Filed: **Sep. 11, 2018**
- (51) **LOC (12) Cl.** ..... **28-03**
- (52) **U.S. Cl.**  
USPC ..... **D24/215**
- (58) **Field of Classification Search**  
USPC ..... 601/15, 18, 19, 46, 47, 48, 52, 99, 112,  
601/113, 118, 125, 129, 134, 135, 137,  
601/DIG. 12, DIG. 14, DIG. 15, DIG. 16,  
601/DIG. 17; D24/133, 200, 211, 212,  
D24/213, 214, 215; D30/160  
CPC ..... A61H 7/00; A61H 7/002; A61H 2205/12  
See application file for complete search history.

|                   |         |          |       |                         |
|-------------------|---------|----------|-------|-------------------------|
| D596,750 S *      | 7/2009  | Lev      | ..... | D24/212                 |
| D694,415 S *      | 11/2013 | Viner    | ..... | D24/213                 |
| D721,459 S *      | 1/2015  | Smith    | ..... | D30/160                 |
| D732,182 S *      | 6/2015  | Viner    | ..... | D24/212                 |
| D753,351 S *      | 4/2016  | Anderson | ..... | D30/160                 |
| D765,260 S *      | 8/2016  | Sparr    | ..... | D24/190                 |
| 2016/0151234 A1 * | 6/2016  | Chen     | ..... | A61H 15/0078<br>601/113 |

(Continued)

**OTHER PUBLICATIONS**

Amazon, "Deep Tissue Cordless Percussion Therapeutic Handheld Massager", Mar. 4, 2019. [https://www.amazon.com/Cordless-Percussion-Therapeutic-Handheld-Professionals/dp/B07G4TWXH2/ref=cm\\_cr\\_arp\\_d\\_product\\_top?ie=UTF8](https://www.amazon.com/Cordless-Percussion-Therapeutic-Handheld-Professionals/dp/B07G4TWXH2/ref=cm_cr_arp_d_product_top?ie=UTF8). Shown on p. 1. (Year: 2019).\*

*Primary Examiner* — Cynthia Ramirez  
*Assistant Examiner* — Michael A Maharajh  
(74) *Attorney, Agent, or Firm* — Greer, Burns & Crain, Ltd.

(57) **CLAIM**

The ornamental design for a massager head, as shown and described.

**DESCRIPTION**

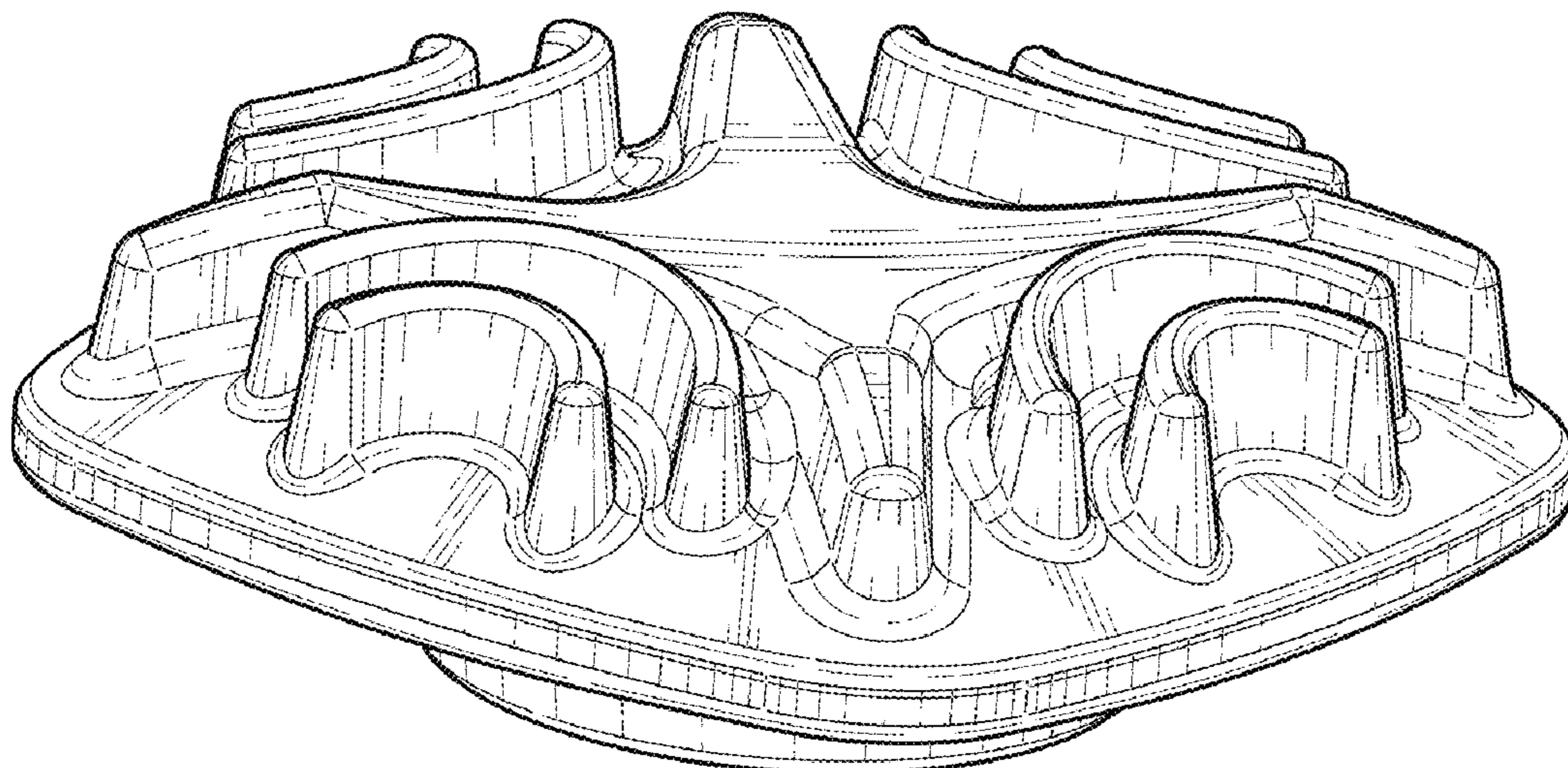
FIG. 1 is a bottom perspective view of a massager head showing our new design;  
FIG. 2 is a front view thereof;  
FIG. 3 is a rear view thereof;  
FIG. 4 is a right side view, the left side being a mirror image thereof;  
FIG. 5 is an inverted front view thereof;  
FIG. 6 is a top view thereof; and,  
FIG. 7 is a bottom thereof.  
The broken lines shown in FIG. 6 are for the purpose of illustrating environmental structure, which form no part of the claimed design.

**1 Claim, 5 Drawing Sheets**

(56) **References Cited**

**U.S. PATENT DOCUMENTS**

|                |         |              |       |                        |
|----------------|---------|--------------|-------|------------------------|
| 2,806,470 A *  | 9/1957  | Ferrier      | ..... | A61H 7/003<br>601/133  |
| 2,836,175 A *  | 5/1958  | Nakayama     | ..... | A61H 7/003<br>601/135  |
| 5,577,997 A *  | 11/1996 | Thariani     | ..... | A61B 17/54<br>601/135  |
| D387,513 S *   | 12/1997 | Mauldin, Jr. | ..... | D21/406                |
| 6,228,001 B1 * | 5/2001  | Johnson      | ..... | A63B 21/028<br>482/44  |
| D523,592 S *   | 6/2006  | Wang         | ..... | D30/160                |
| D526,029 S *   | 8/2006  | Ragonetti    | ..... | A01K 15/025<br>D21/444 |
| D529,668 S *   | 10/2006 | Wang         | ..... | D30/160                |



(56)

**References Cited**

U.S. PATENT DOCUMENTS

2016/0184171 A1\* 6/2016 Poole ..... A61H 7/00  
601/46  
2019/0167516 A1\* 6/2019 Brown ..... A61H 23/02  
2019/0192331 A1\* 6/2019 Zhong ..... A61F 5/34

\* cited by examiner

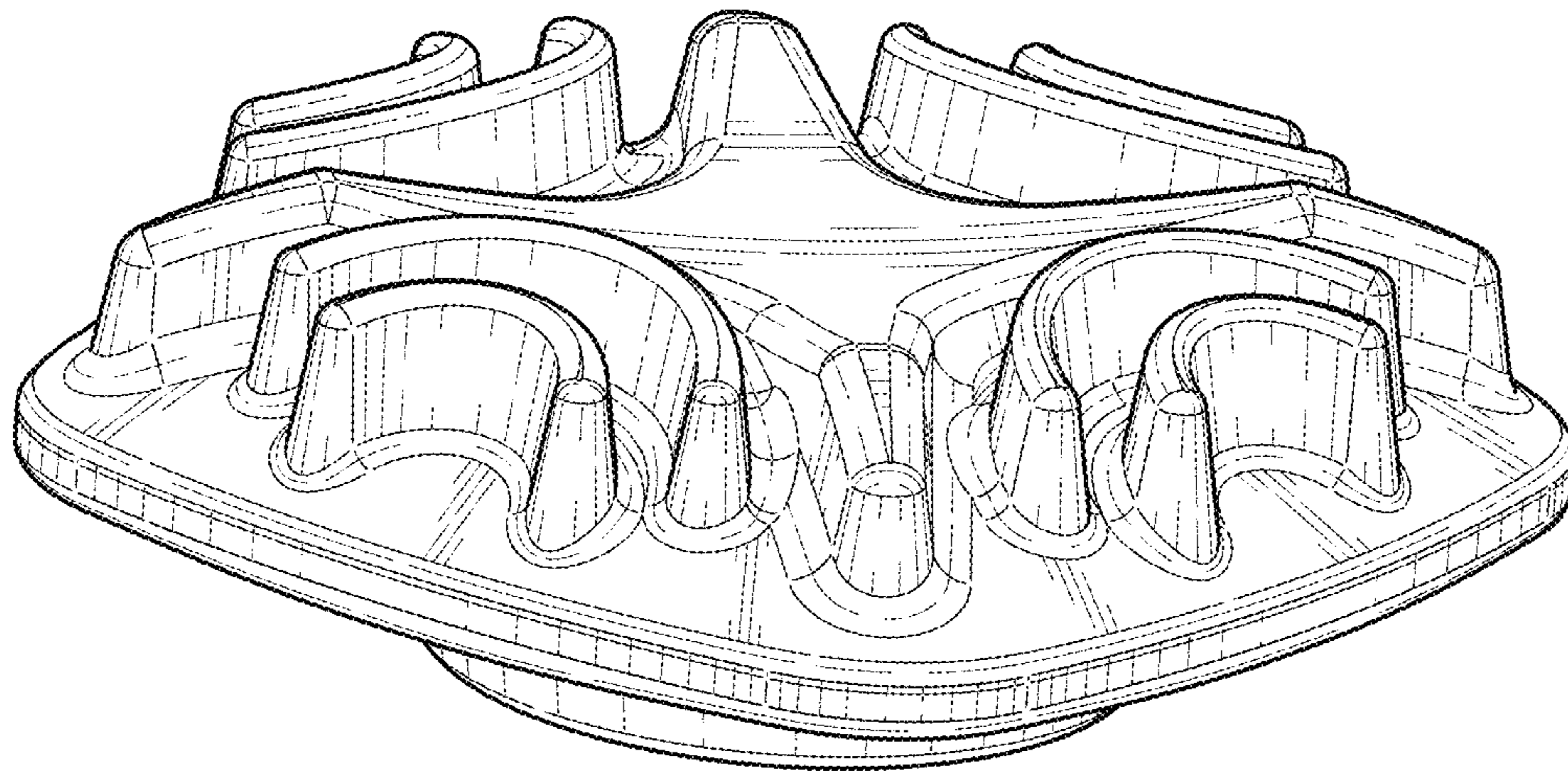


FIG. 1

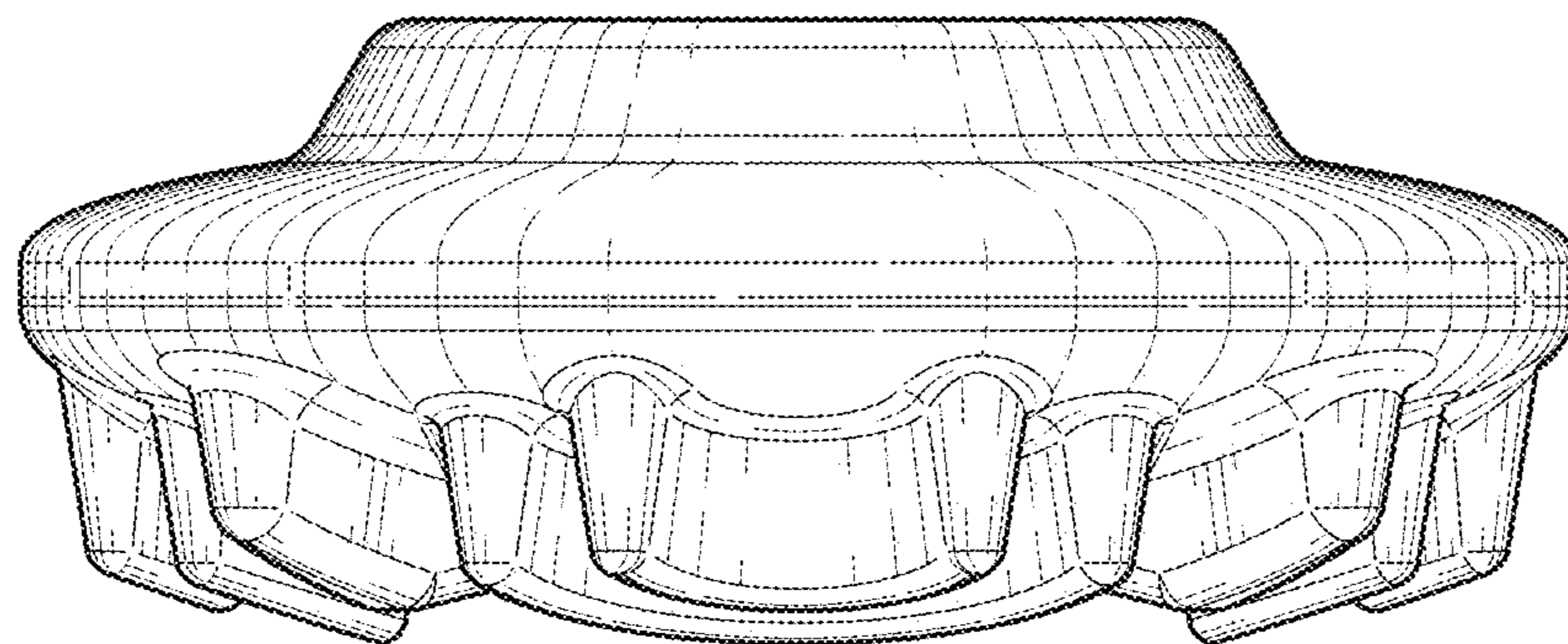


FIG. 2

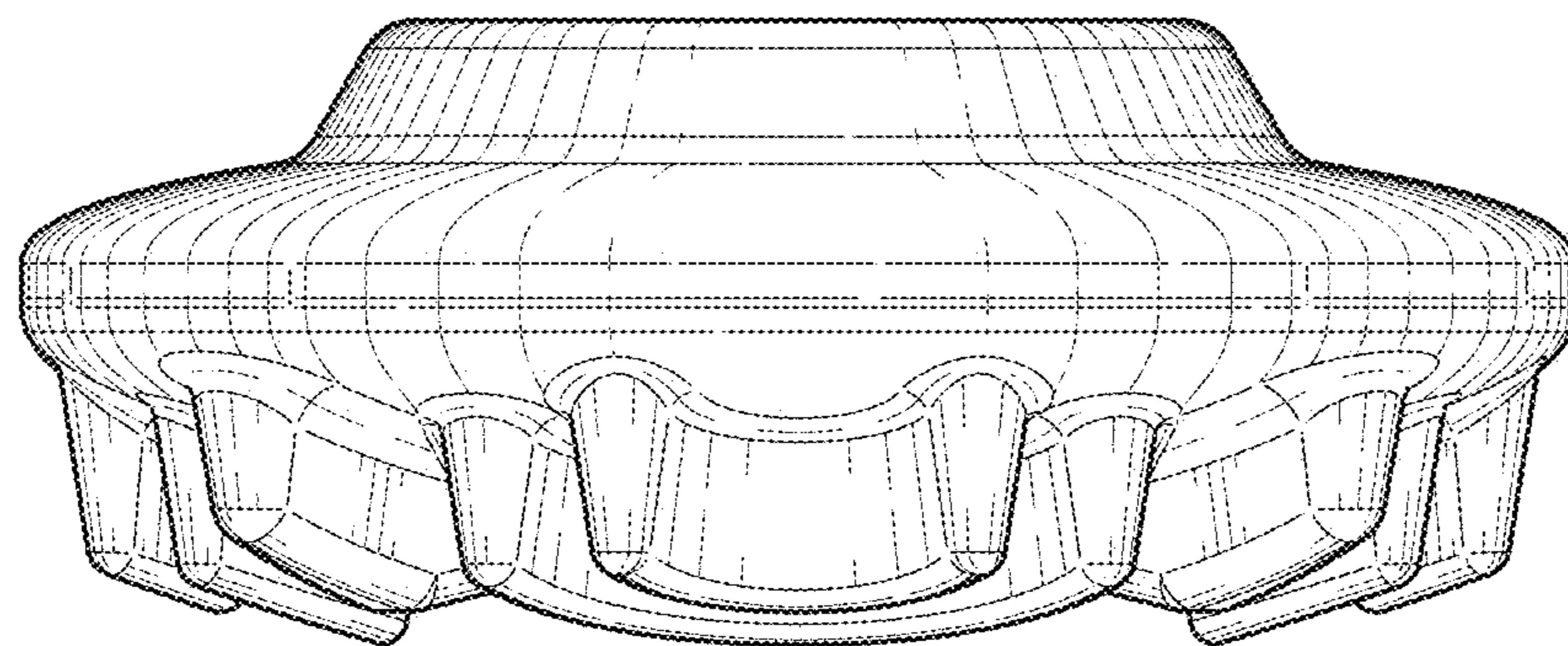


FIG. 3

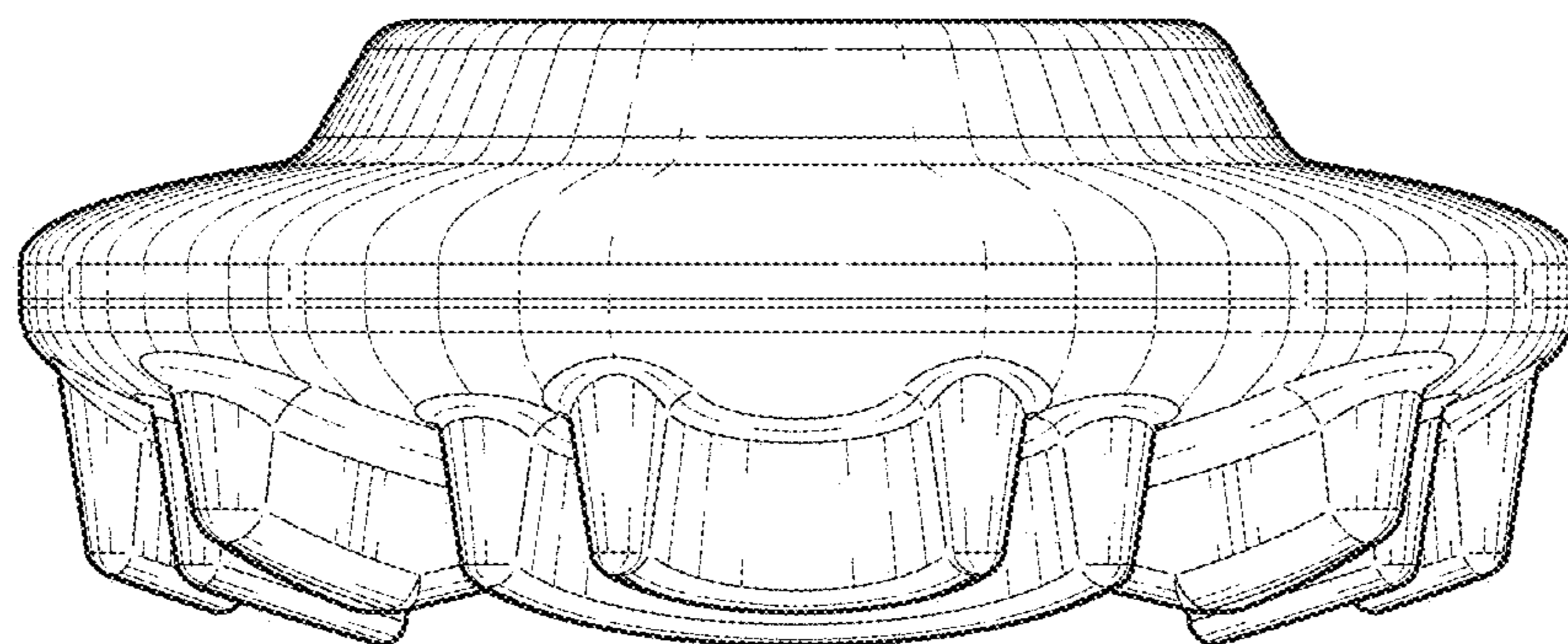


FIG. 4

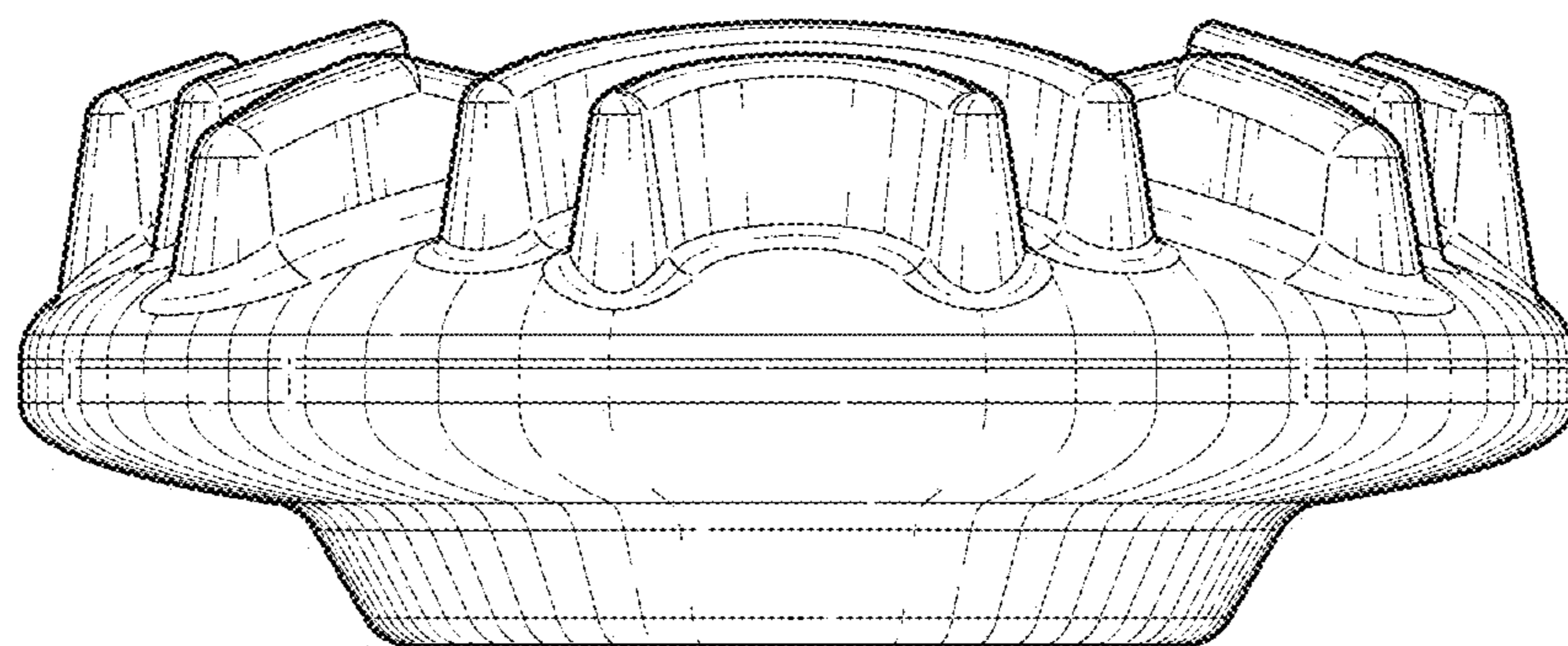


FIG. 5

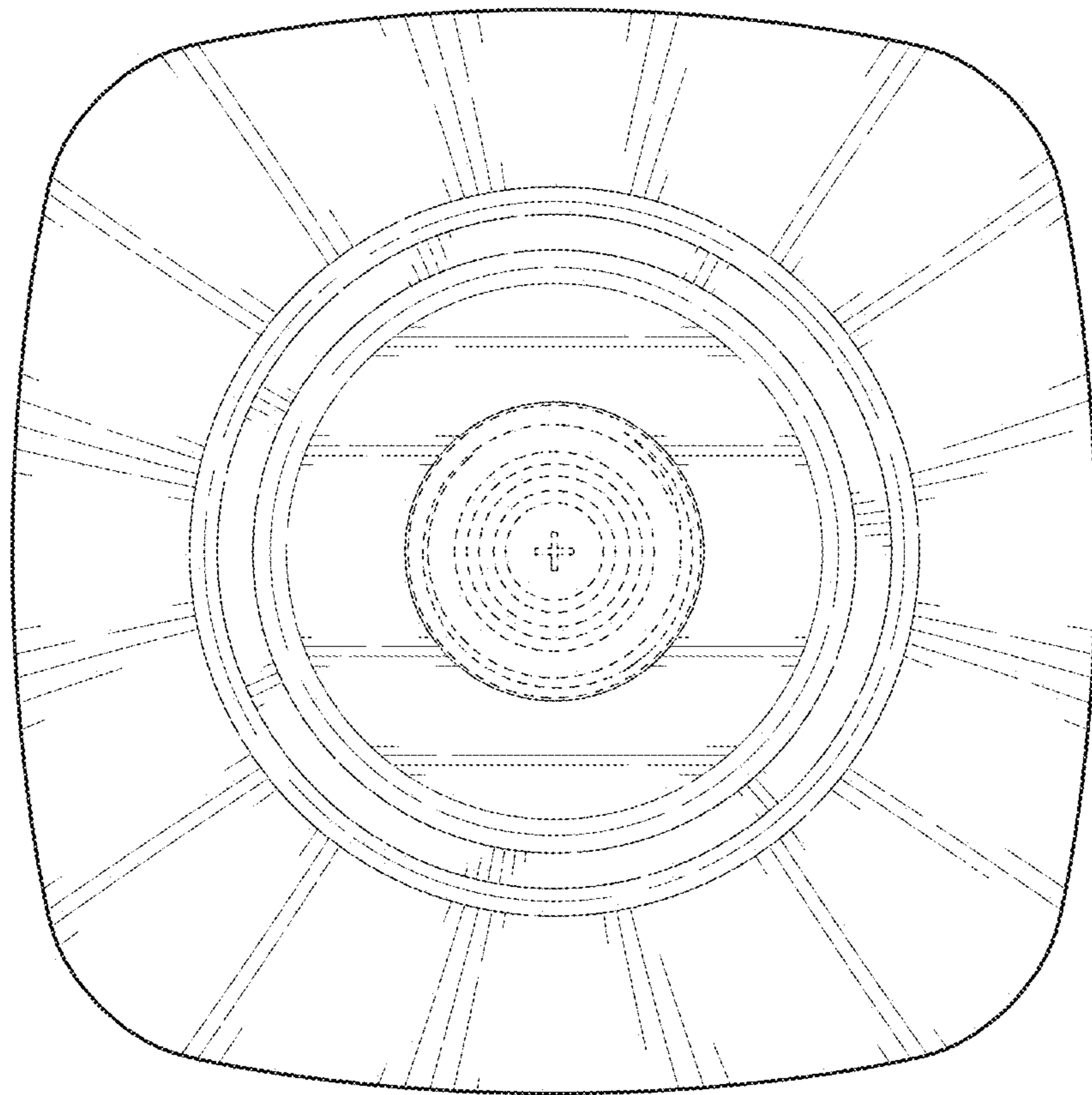


FIG. 6

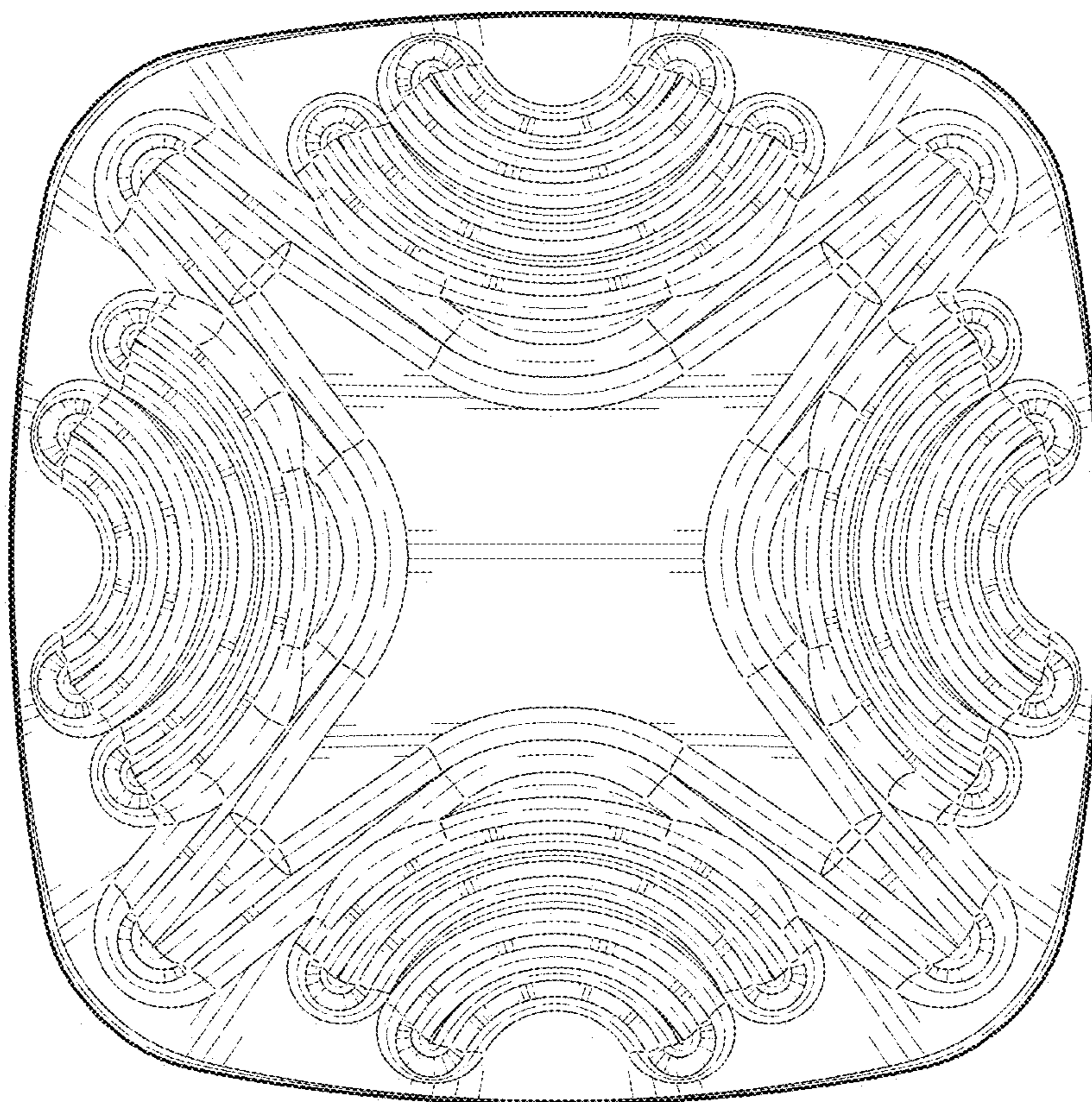


FIG. 7

UNITED STATES PATENT AND TRADEMARK OFFICE  
**CERTIFICATE OF CORRECTION**

PATENT NO. : D868,280 S  
APPLICATION NO. : 29/662968  
DATED : November 26, 2019  
INVENTOR(S) : Smith et al.

Page 1 of 1

It is certified that error appears in the above-identified patent and that said Letters Patent is hereby corrected as shown below:

On the Title Page

Item (72) Inventors, should read:

--(72) Inventors: Ryan Smith, Dixon, IL (US);  
Jenny McLaughlin, Amboy, IL (US);  
Fivetiger Li, Zhejiang, China (CN)--.

Signed and Sealed this  
Twenty-first Day of March, 2023  
*Katherine Kelly Vidal*

Katherine Kelly Vidal  
*Director of the United States Patent and Trademark Office*