



US00D868278S

(12) **United States Design Patent**
Smith et al.

(10) **Patent No.:** **US D868,278 S**

(45) **Date of Patent:** **** Nov. 26, 2019**

- (54) **MASSAGER HEAD**
- (71) Applicant: **WAHL CLIPPER CORPORATION**,
Sterling, IL (US)
- (72) Inventors: **Ryan Smith**, Dixon, IL (US); **Jenny McLaughlin**, Amboy, IL (US)
- (73) Assignee: **WAHL CLIPPER CORPORATION**,
Sterling, IL (US)
- (**) Term: **15 Years**
- (21) Appl. No.: **29/662,609**
- (22) Filed: **Sep. 6, 2018**
- (51) **LOC (12) Cl.** **28-03**
- (52) **U.S. Cl.**
USPC **D24/211**
- (58) **Field of Classification Search**
USPC 601/15, 18, 19, 46, 47, 48, 52, 99, 112,
601/113, 118, 125, 129, 134, 135, 137,
601/DIG. 12, DIG. 14, DIG. 15, DIG. 16,
601/DIG. 17; D24/133, 200, 211, 212,
D24/213, 214, 215; D30/160
CPC A61H 7/00; A61H 7/002; A61H 2205/12
See application file for complete search history.

- D523,592 S * 6/2006 Wang D30/160
- D526,029 S * 8/2006 Ragonetti A01K 15/025
D21/444
- 7,322,946 B2 * 1/2008 Lev A61H 15/0078
601/112
- D596,750 S * 7/2009 Lev D24/212
- D694,415 S * 11/2013 Viner D24/213
- D719,273 S * 12/2014 Chen D24/215
- D721,459 S * 1/2015 Smith D30/160
- D732,182 S * 6/2015 Viner D24/212

(Continued)

OTHER PUBLICATIONS

Amazon, "Deep Tissue Cordless Percussion Therapeutic Handheld Massager", Mar. 4, 2019. https://www.amazon.com/Cordless-Percussion-Therapeutic-Handheld-Professionals/dp/B07G4TWXH2/ref=cm_cr_ar_p_d_product_top?ie=UTF8. Shown on page 1. (Year: 2019).*

Primary Examiner — Cynthia Ramirez
Assistant Examiner — Michael A Maharajh
(74) *Attorney, Agent, or Firm* — Greer, Burns & Crain, Ltd.

(57) **CLAIM**

The ornamental design for a massager head, as shown and described.

(56) **References Cited**

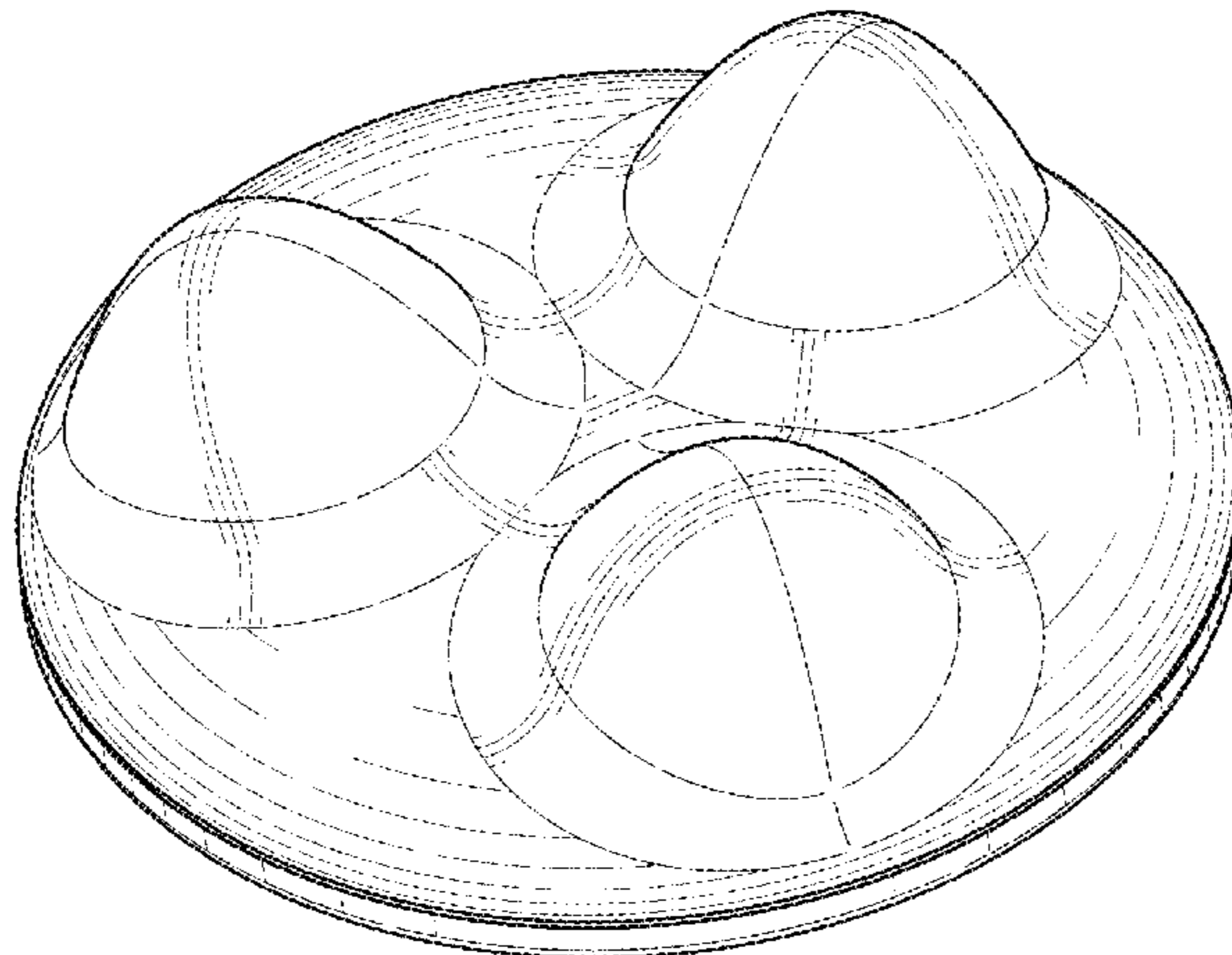
U.S. PATENT DOCUMENTS

- 2,836,175 A * 5/1958 Nakayama A61H 7/003
601/135
- D280,664 S * 9/1985 Ishida D24/211
- 5,577,997 A * 11/1996 Thariani A61B 17/54
601/135
- D387,513 S * 12/1997 Mauldin, Jr. D21/406
- D391,366 S * 2/1998 Prehodka D24/212
- 5,797,859 A * 8/1998 Prehodka A61H 7/004
601/113
- 6,228,001 B1 * 5/2001 Johnson A63B 21/028
482/44
- 6,231,414 B1 * 5/2001 Ho A63H 33/28
446/15

DESCRIPTION

FIG. 1 is a top perspective view of a massager head showing our new design;
FIG. 2 is a right side view thereof;
FIG. 3 is a left side view thereof;
FIG. 4 is a front view thereof;
FIG. 5 is an inverted rear view thereof;
FIG. 6 is a top view thereof; and,
FIG. 7 is a bottom thereof.
The broken lines shown in FIG. 6 are for the purposes of illustrating environmental structure, which form no part of the claimed design.

1 Claim, 5 Drawing Sheets



(56)

References Cited

U.S. PATENT DOCUMENTS

D740,432 S * 10/2015 Wu D24/211
D765,260 S * 8/2016 Sparr D24/190
D846,652 S * 4/2019 Chiu D21/398
2016/0151234 A1* 6/2016 Chen A61H 15/0078
601/113
2016/0184171 A1* 6/2016 Poole A61H 7/00
601/46
2019/0192331 A1* 6/2019 Zhong A61F 5/34

* cited by examiner

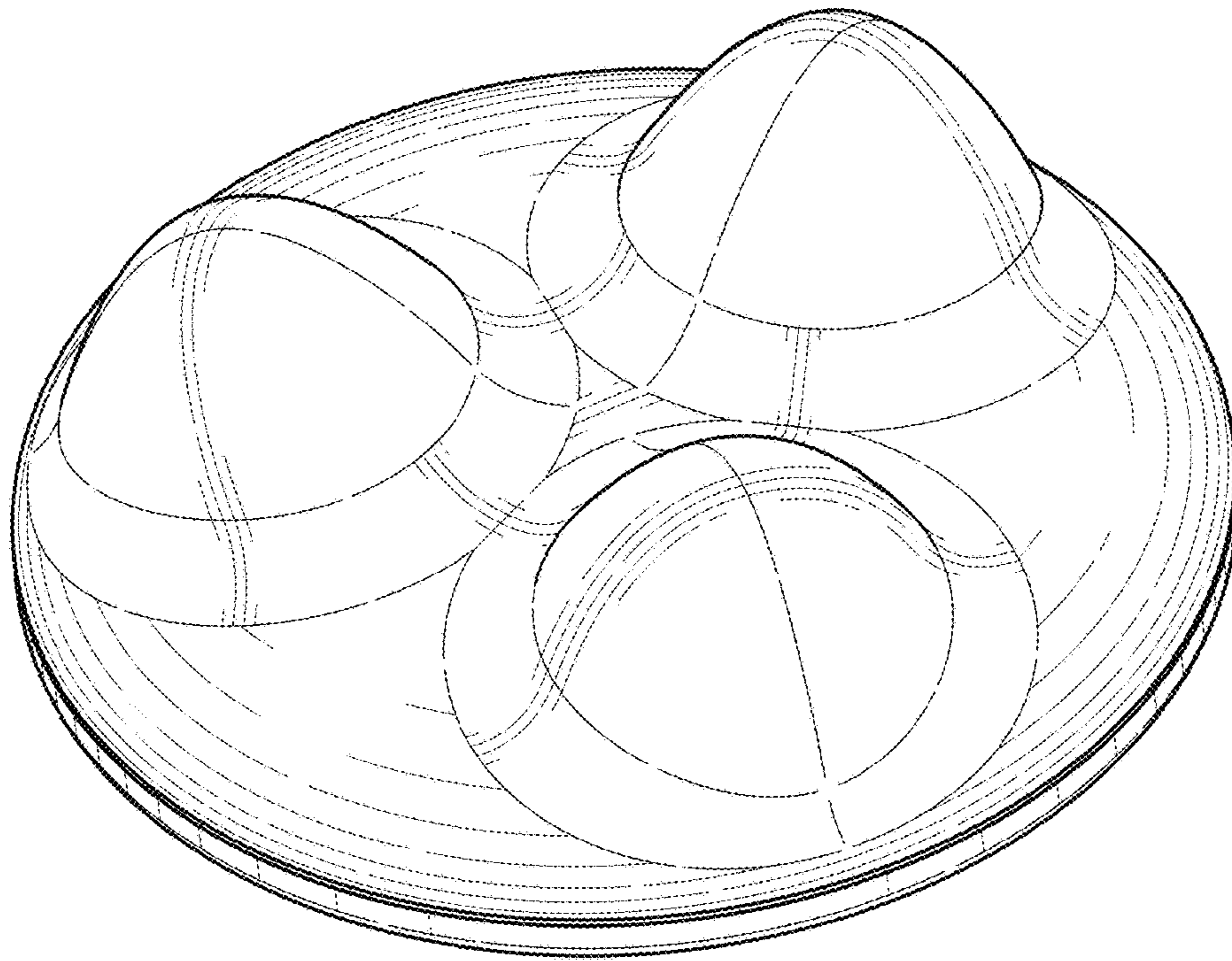


FIG. 1

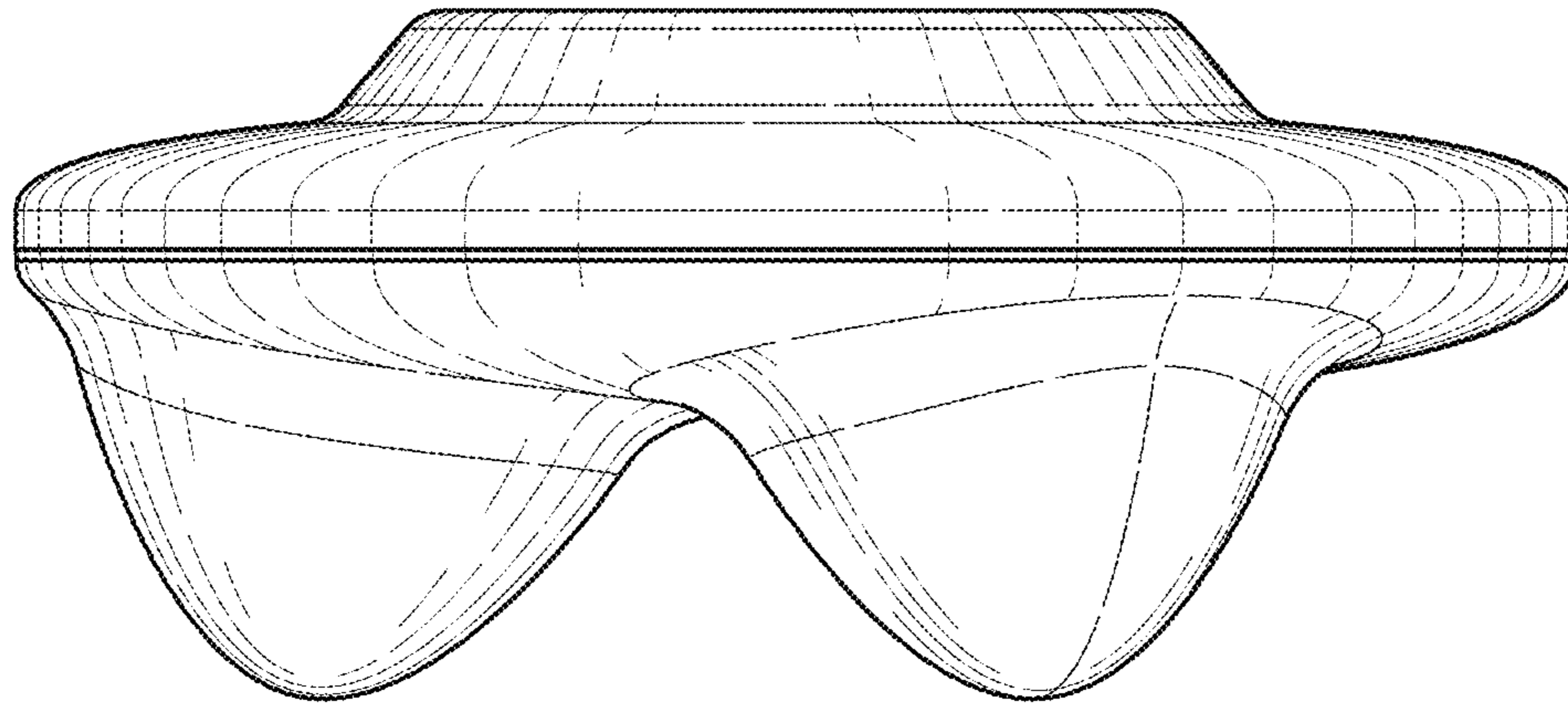


FIG. 2

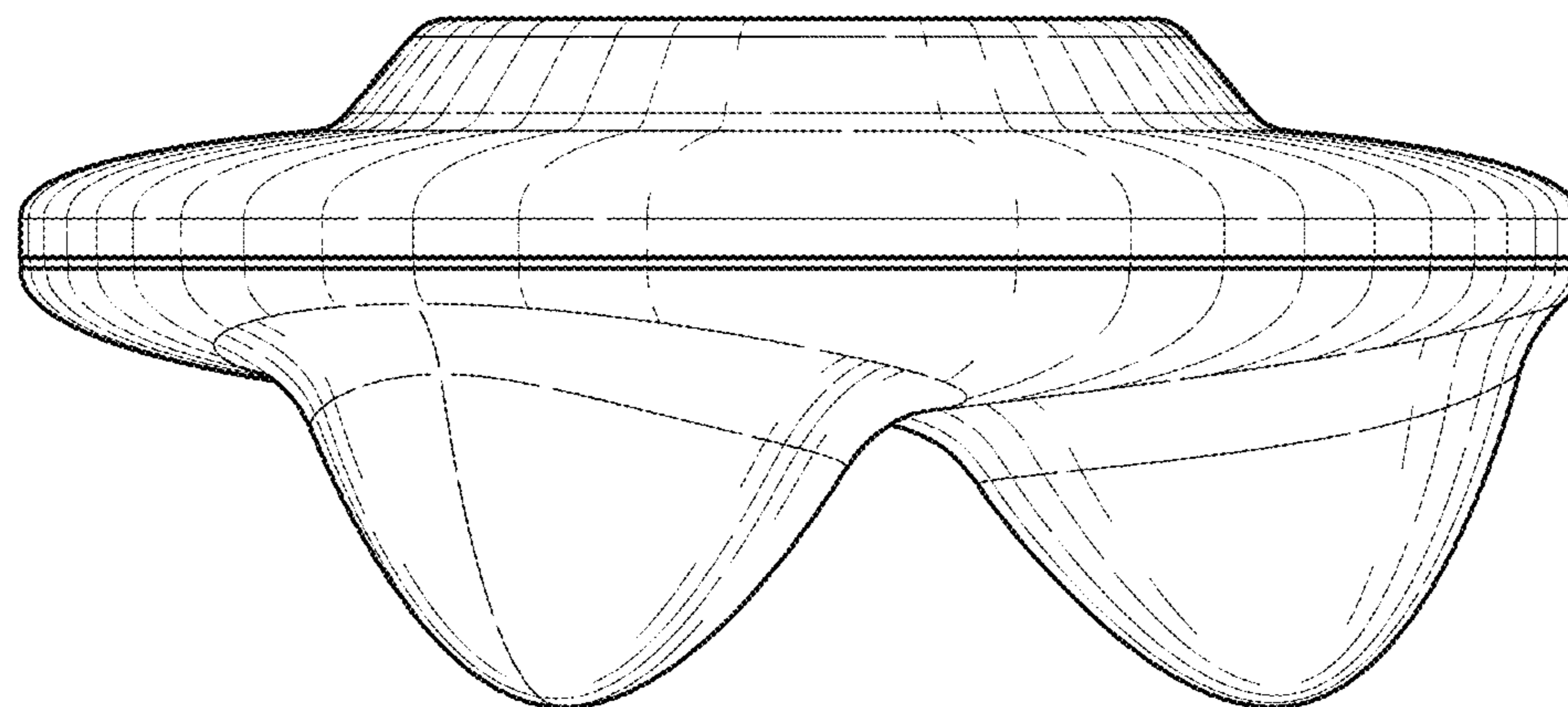


FIG. 3

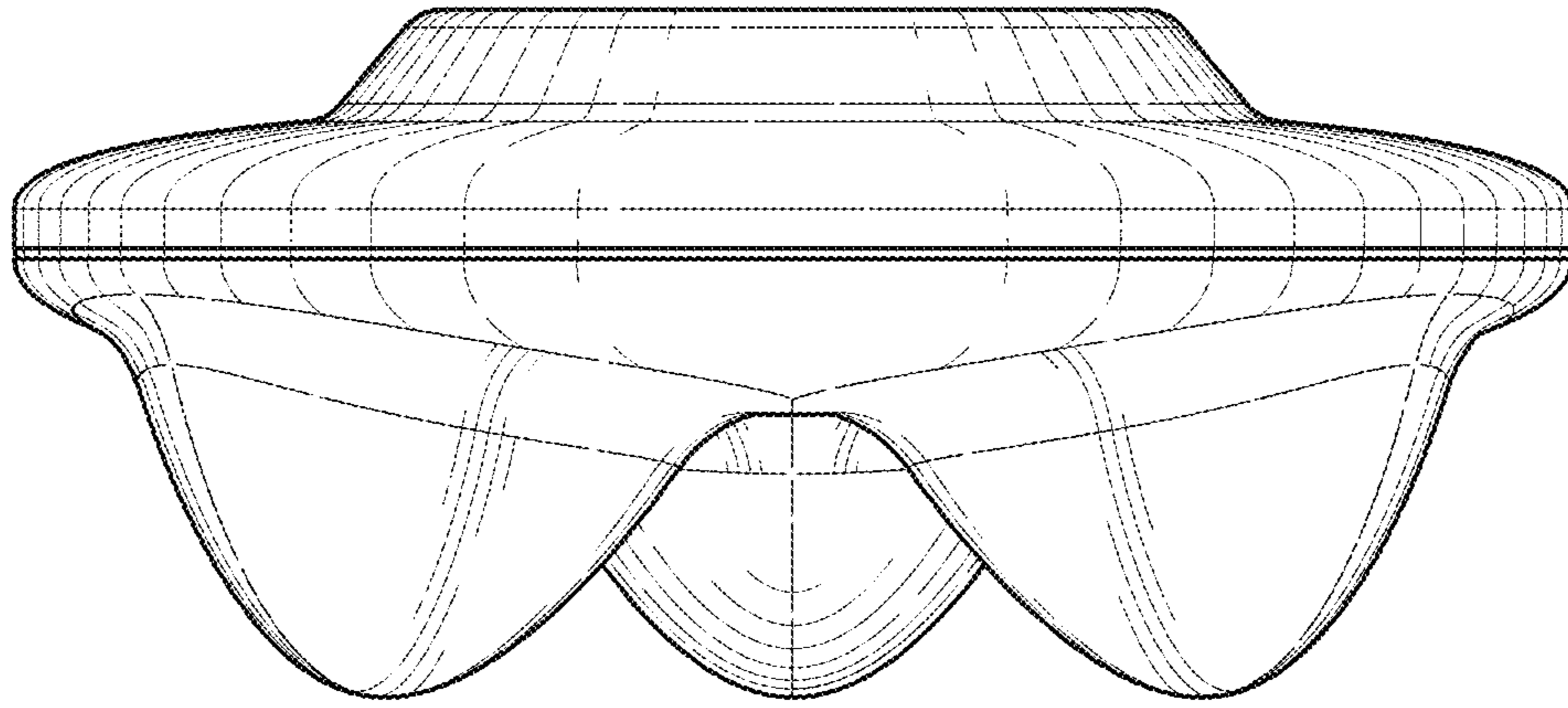


FIG. 4

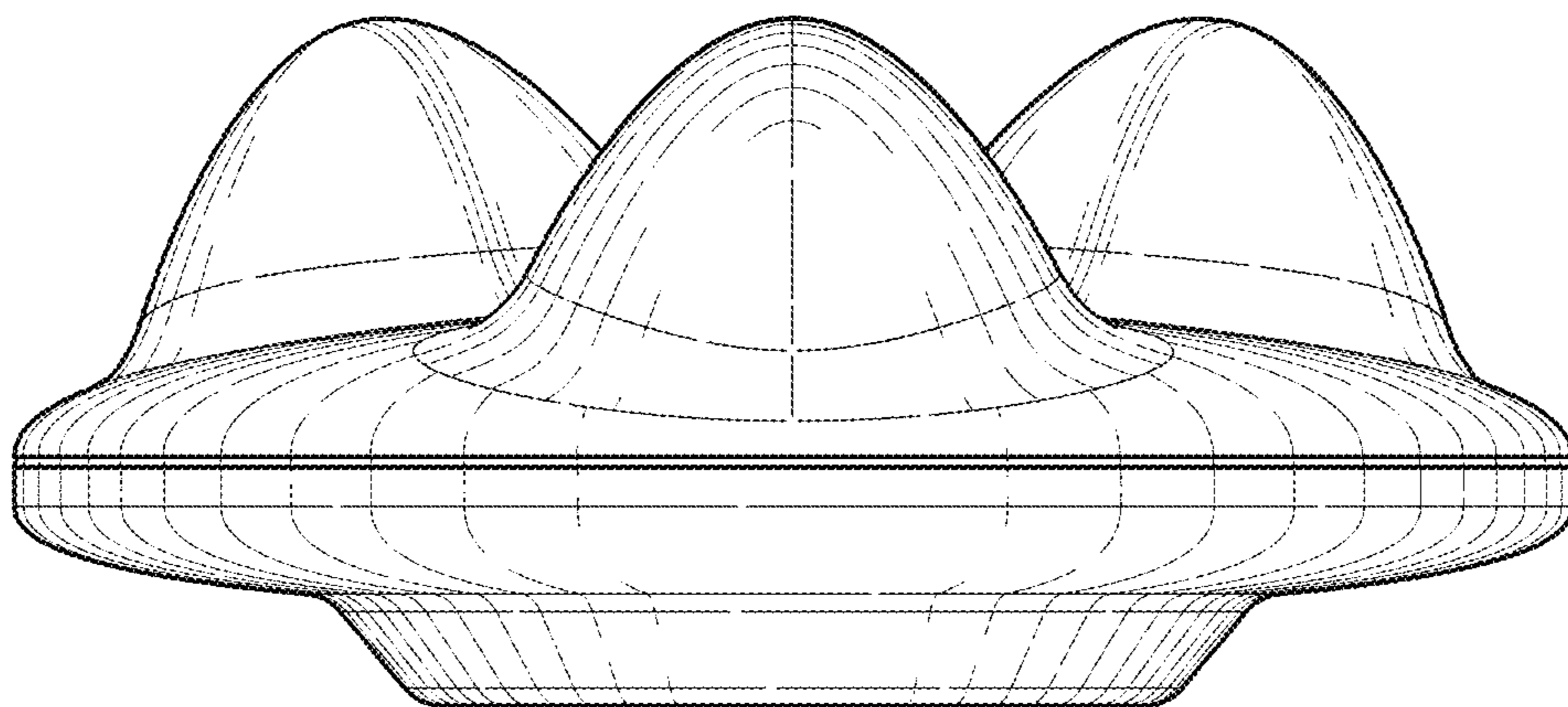


FIG. 5

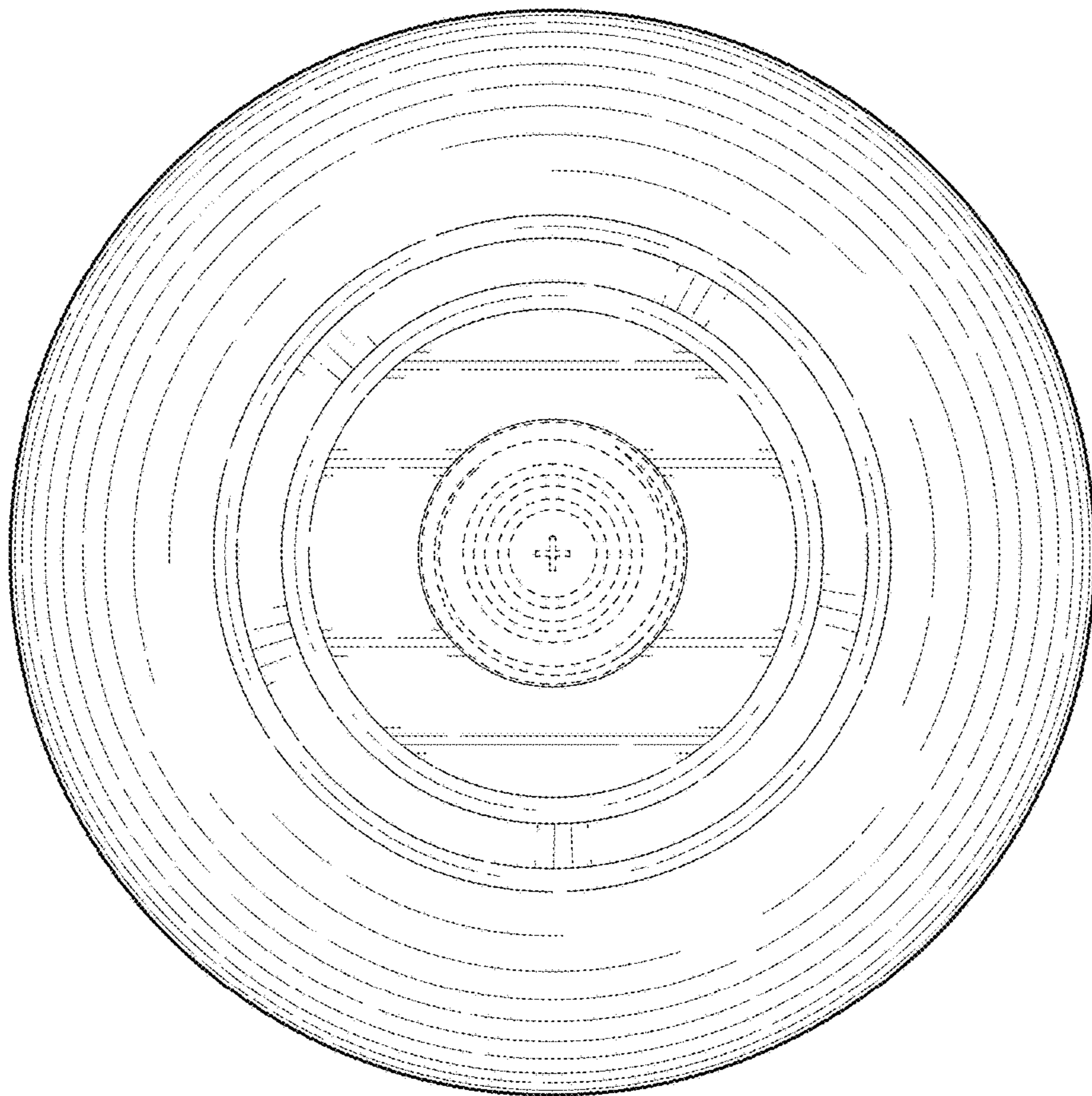


FIG. 6

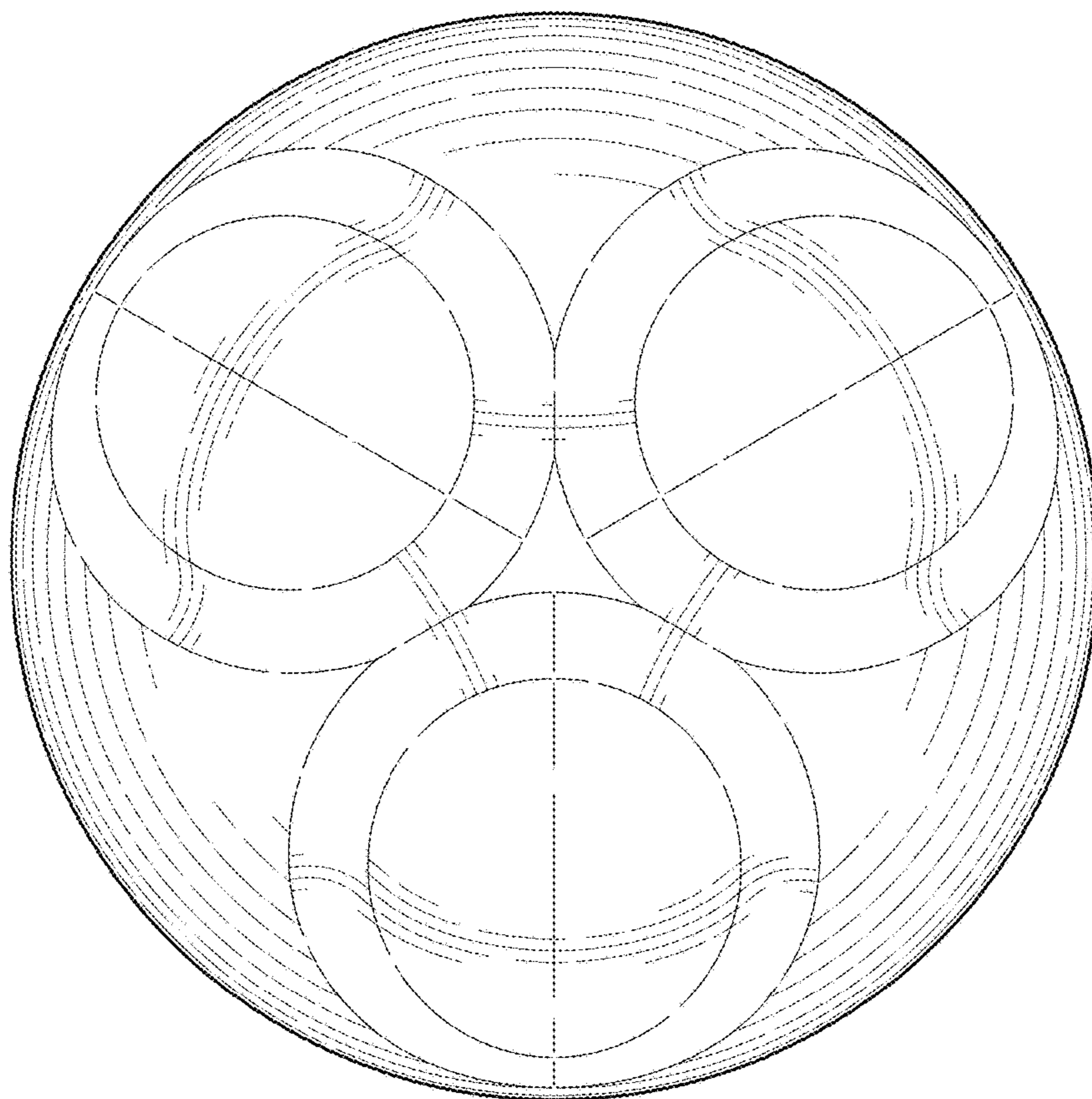


FIG. 7

UNITED STATES PATENT AND TRADEMARK OFFICE
CERTIFICATE OF CORRECTION

PATENT NO. : D868,278 S
APPLICATION NO. : 29/662609
DATED : November 26, 2019
INVENTOR(S) : Smith et al.

Page 1 of 1

It is certified that error appears in the above-identified patent and that said Letters Patent is hereby corrected as shown below:

On the Title Page

Item (72) Inventors, should read:

--(72) Inventors: **Ryan Smith**, Dixon, IL (US);
Jenny McLaughlin, Amboy, IL (US);
Benjamin N. Spyrison, Los Angeles, CA (US);
Fivetiger Li, Zhejiang (CN)--.

Signed and Sealed this
Thirtieth Day of November, 2021



Drew Hirshfeld
*Performing the Functions and Duties of the
Under Secretary of Commerce for Intellectual Property and
Director of the United States Patent and Trademark Office*