



US00D868274S

(12) **United States Design Patent** (10) **Patent No.:** **US D868,274 S**
Hu (45) **Date of Patent:** **** Nov. 26, 2019**

(54) **MASSAGER**

(71) Applicant: **Jun Hao Hu**, Guangdong (CN)

(72) Inventor: **Jun Hao Hu**, Guangdong (CN)

(**) Term: **15 Years**

(21) Appl. No.: **29/653,779**

(22) Filed: **Jun. 19, 2018**

(51) **LOC (12) Cl.** **28-03**

(52) **U.S. Cl.**
USPC **D24/200**

(58) **Field of Classification Search**
USPC D24/200, 214-215; D21/662
CPC A61H 19/44; A61H 19/50; A61H 19/00;
A61H 19/30; A61H 19/32; A61H 19/34;
A61H 19/40; A61H 1/001; A61H
2205/087; A47C 15/008

See application file for complete search history.

(56) **References Cited**

U.S. PATENT DOCUMENTS

6,142,929	A *	11/2000	Padgett	A61H 19/44 128/845
6,422,993	B1 *	7/2002	Hudson	A61H 19/34 600/38
7,175,592	B2 *	2/2007	Lee	A61H 19/44 600/38
9,398,997	B2 *	7/2016	Lindholm	A47C 15/008
9,808,396	B2 *	11/2017	Ferrari	A61H 19/44
D824,036	S *	7/2018	Hu	D24/200
2019/0060161	A1 *	2/2019	Moreno	A61H 19/44
2019/0167513	A1 *	6/2019	Topolev	A61H 19/00

OTHER PUBLICATIONS

Hismith Premium Sex Machine free installation Vac-u-lock wire controlled Pumping Thrusting Adjustable Love Machine free dildo. mping Thrusting Adjustable Love Machine free dildo. Retrieved on Aug. 22, 2019. Retrieved from Internet:https://www.aliexpress.com/item/32820724613.html?scm=1007.22893.125779.0&pvid=968668.*

* cited by examiner

Primary Examiner — Wan Laymon

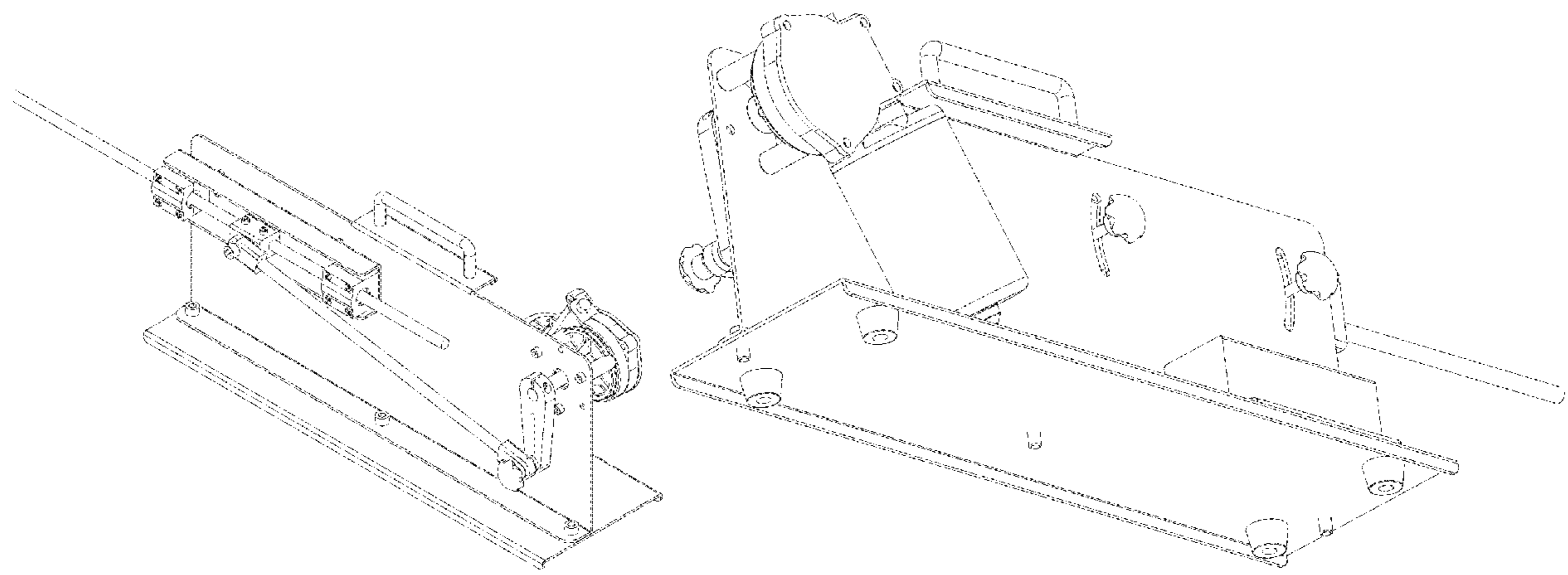
(57) **CLAIM**

The ornamental design for a massager, as shown and described.

DESCRIPTION

FIG. 1 is a front elevational view of a massager showing my new design;
FIG. 2 is a rear elevational view thereof;
FIG. 3 is a left side view in enlarge scale thereof;
FIG. 4 is a right side view in enlarge scale thereof;
FIG. 5 is a top plan view thereof;
FIG. 6 is a bottom plan view thereof;
FIG. 7 is a perspective view thereof;
FIG. 8 is a second perspective view thereof;
FIG. 9 is a third perspective view thereof;
FIG. 10 is a fourth perspective view thereof; and,
FIG. 11 is an enlarged fifth perspective view thereof.

1 Claim, 6 Drawing Sheets



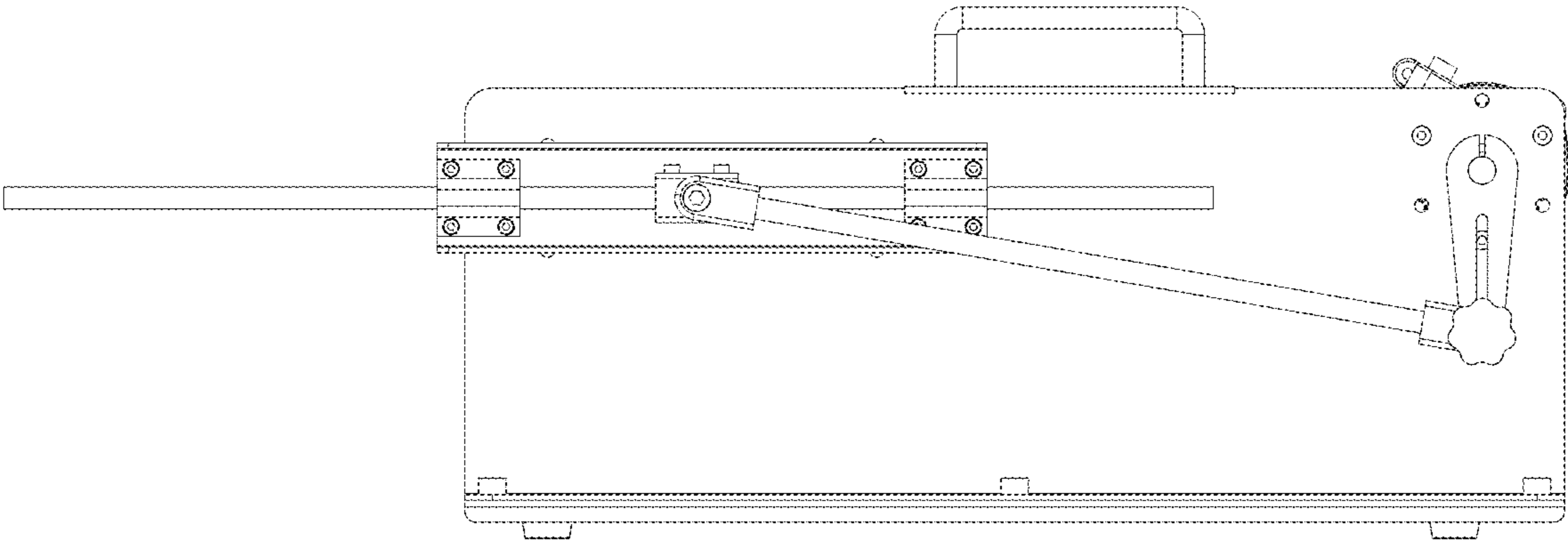


Fig. 1

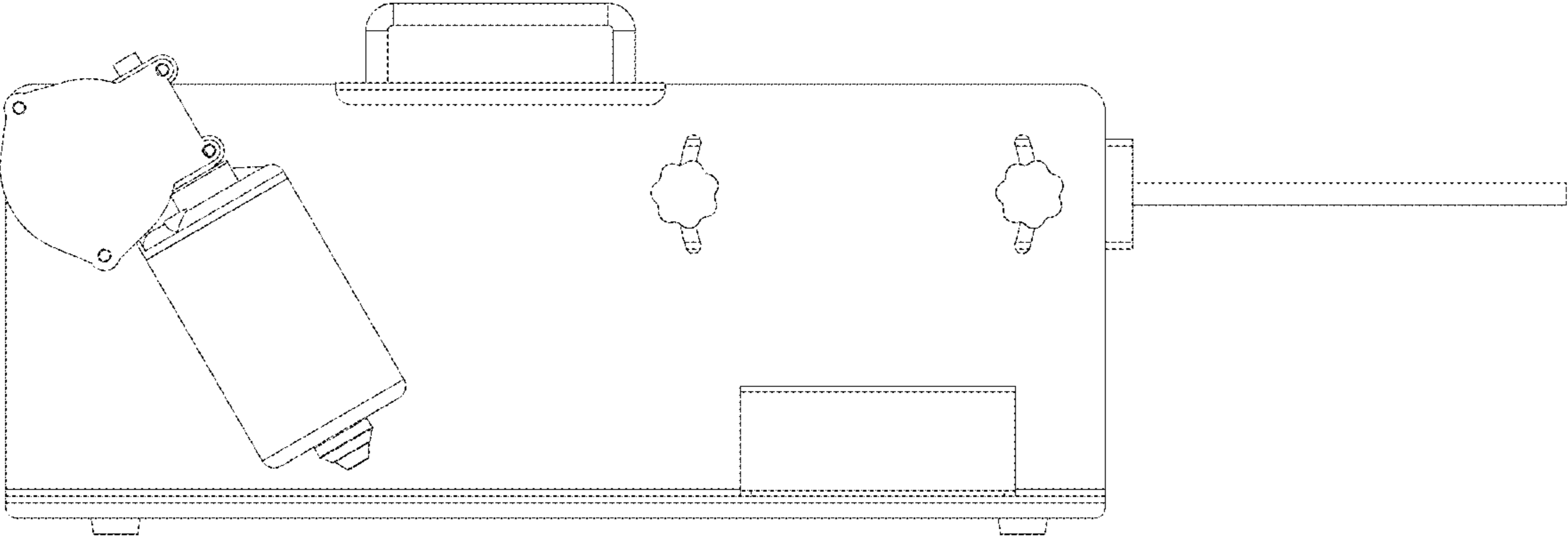


Fig. 2

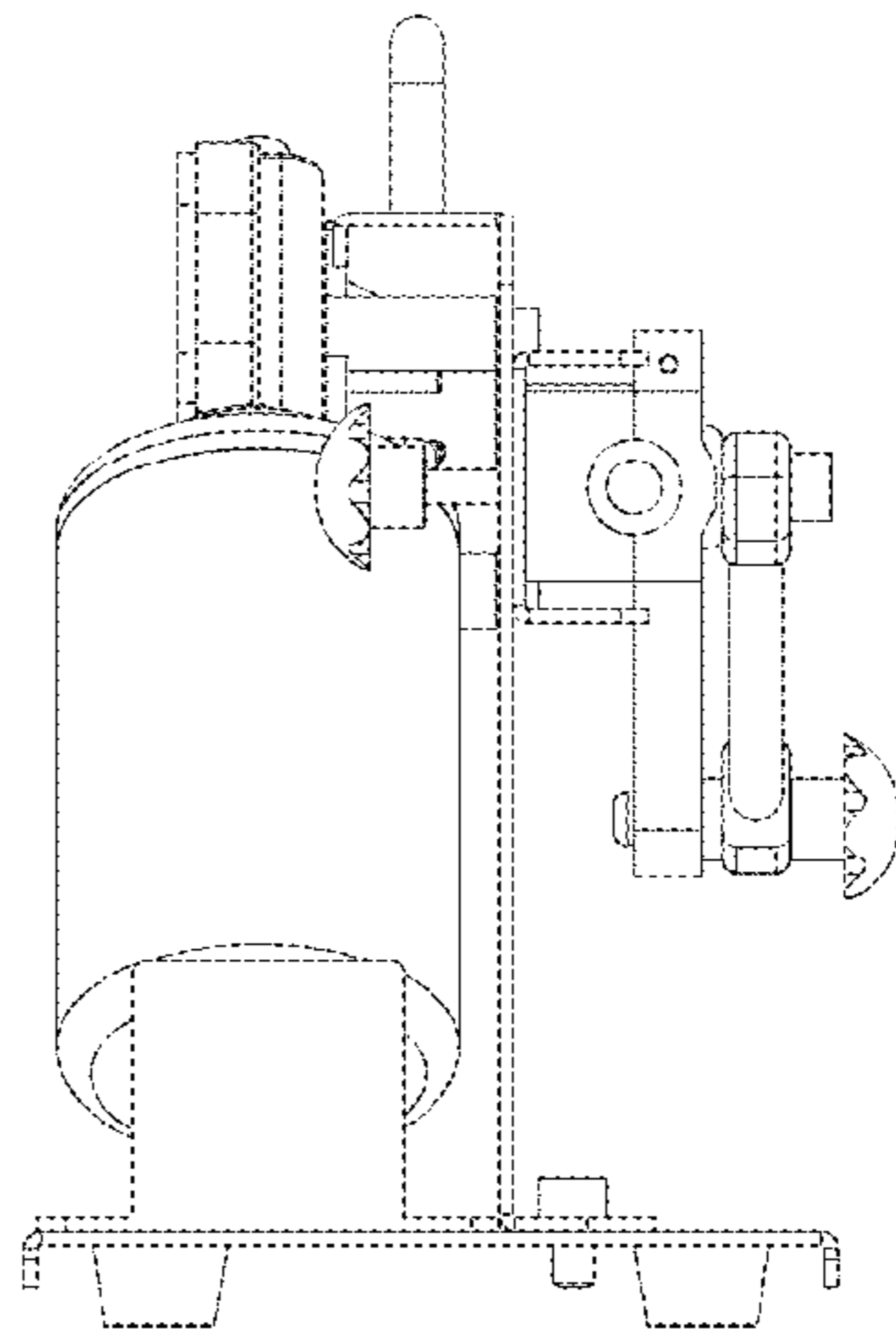


Fig. 3

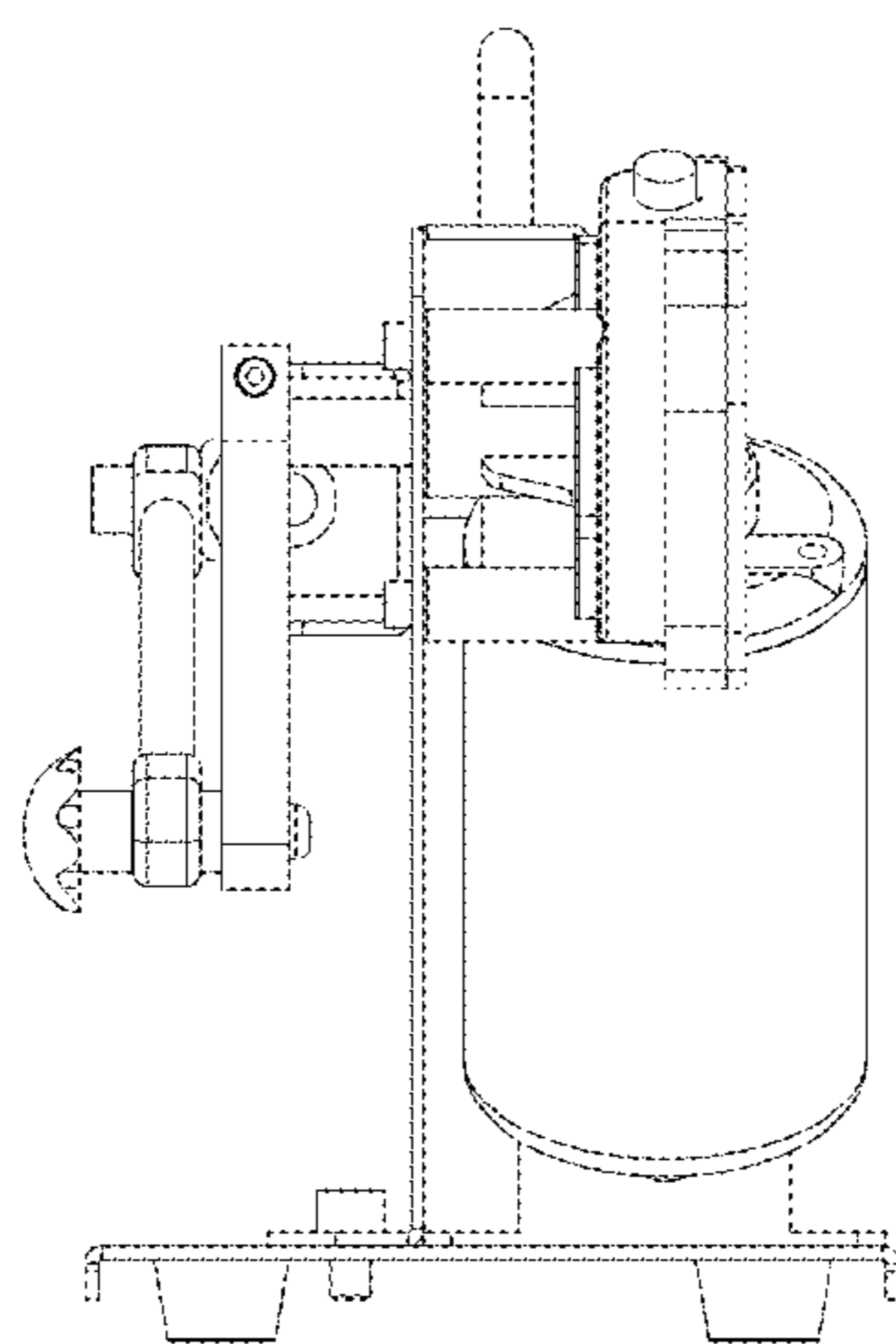


Fig. 4

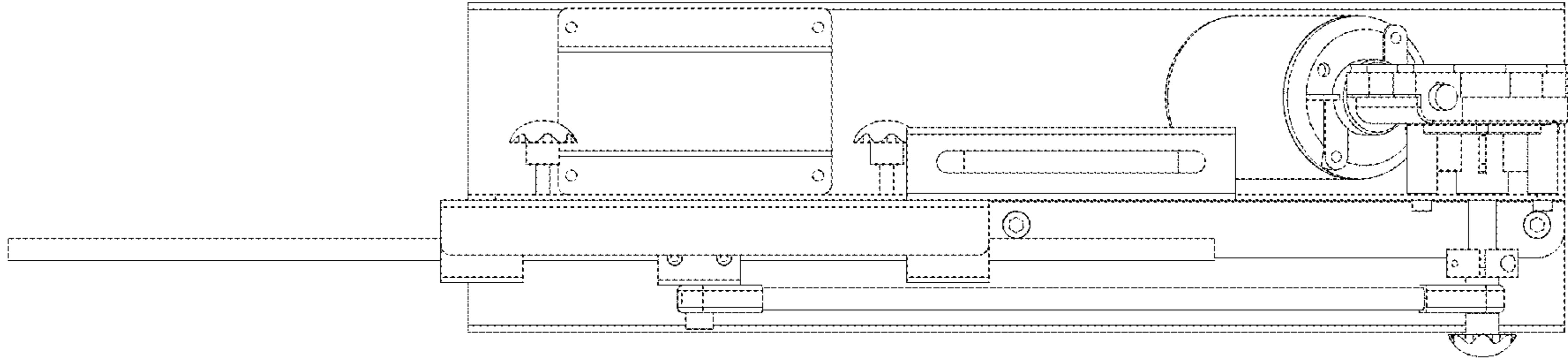


Fig. 5

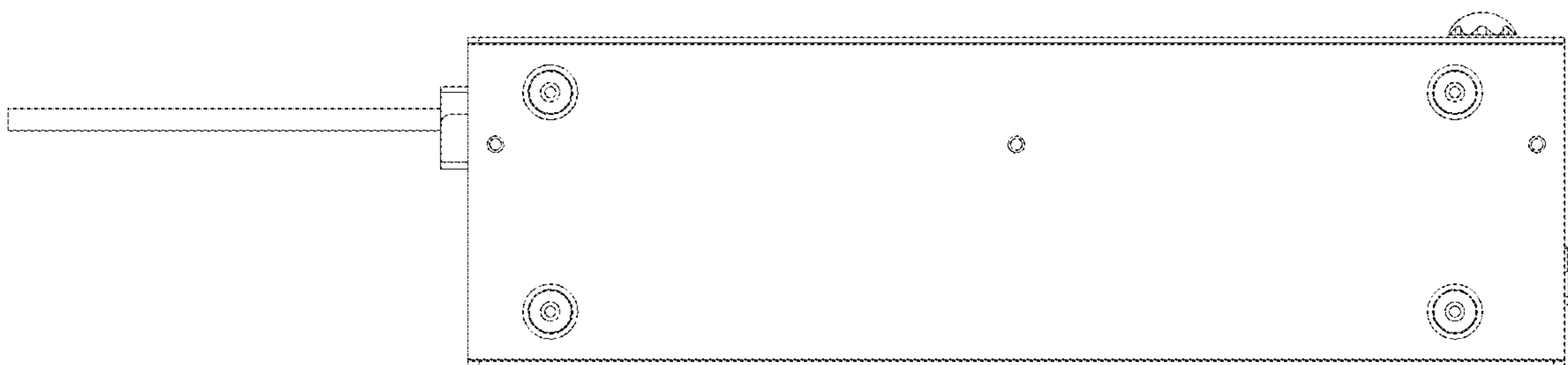


Fig. 6

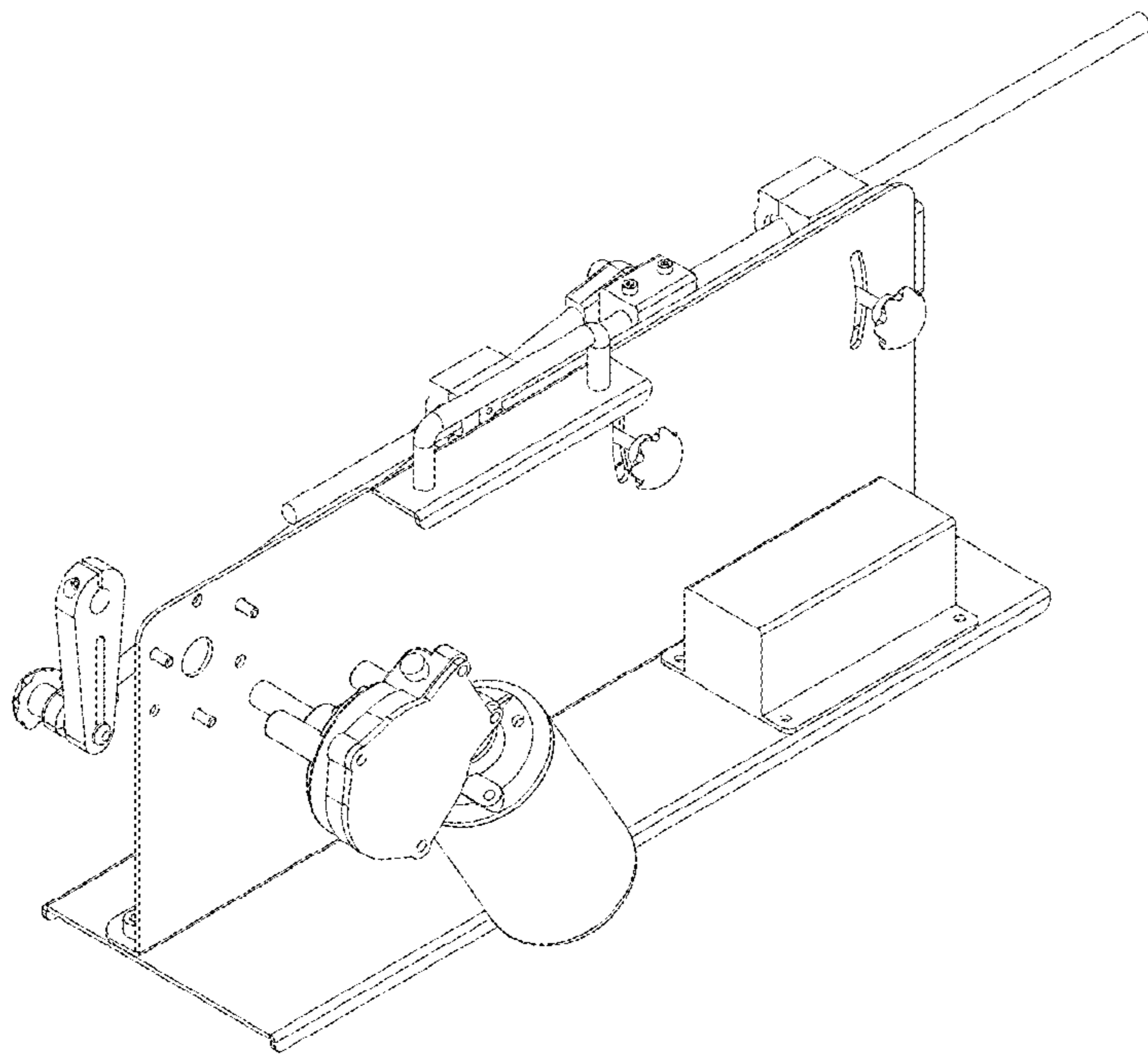


Fig. 7

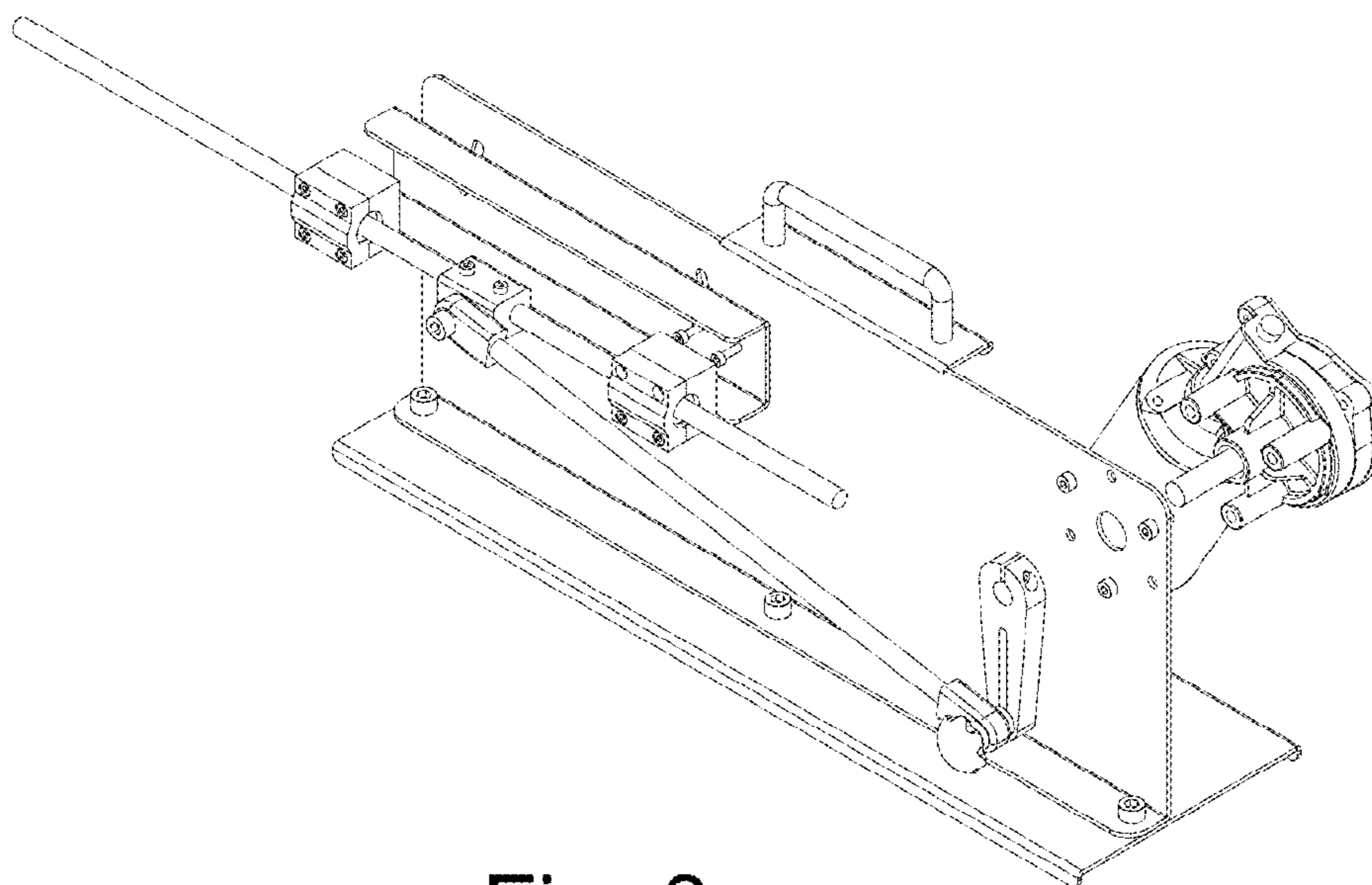


Fig. 8

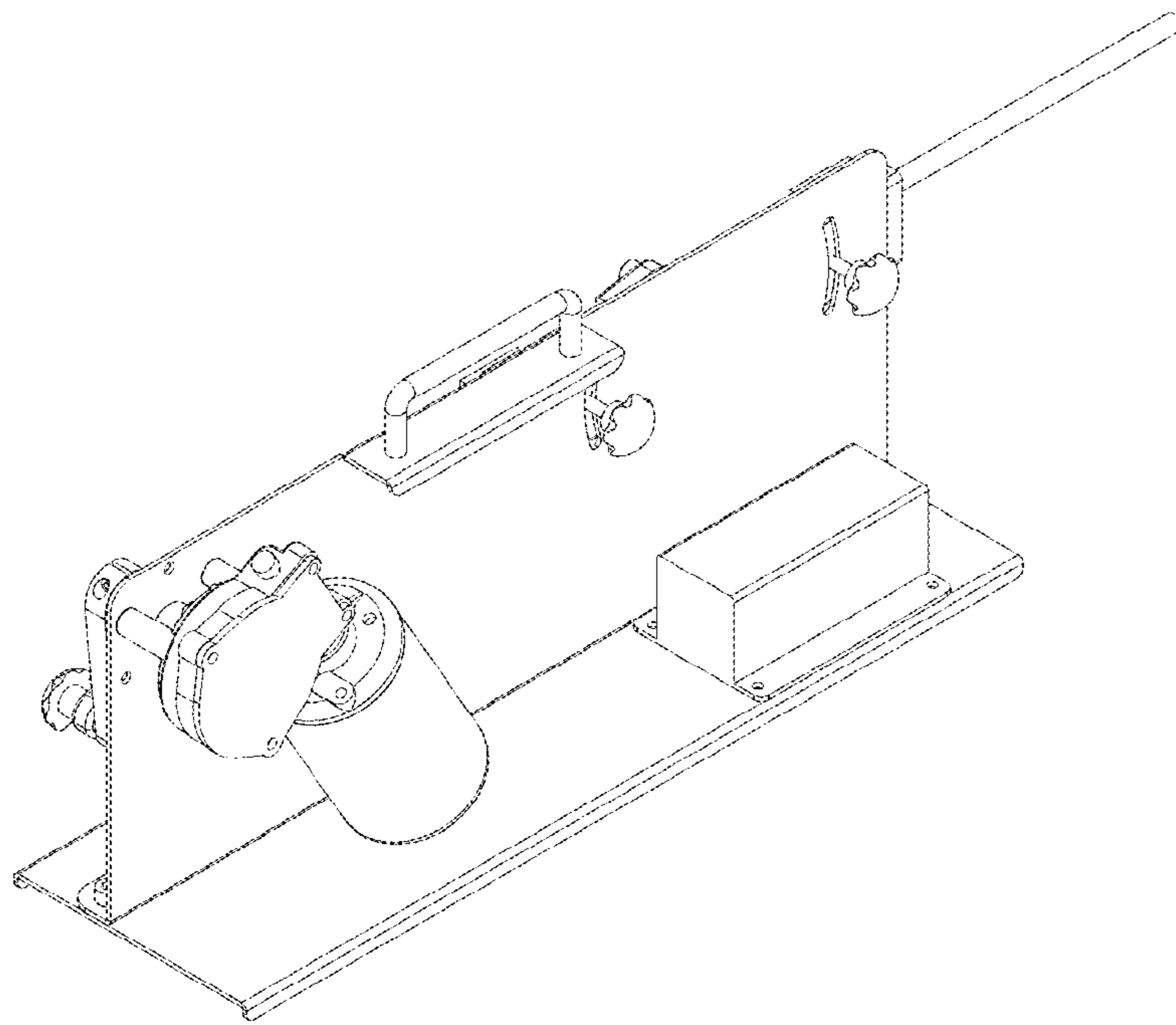


Fig. 9

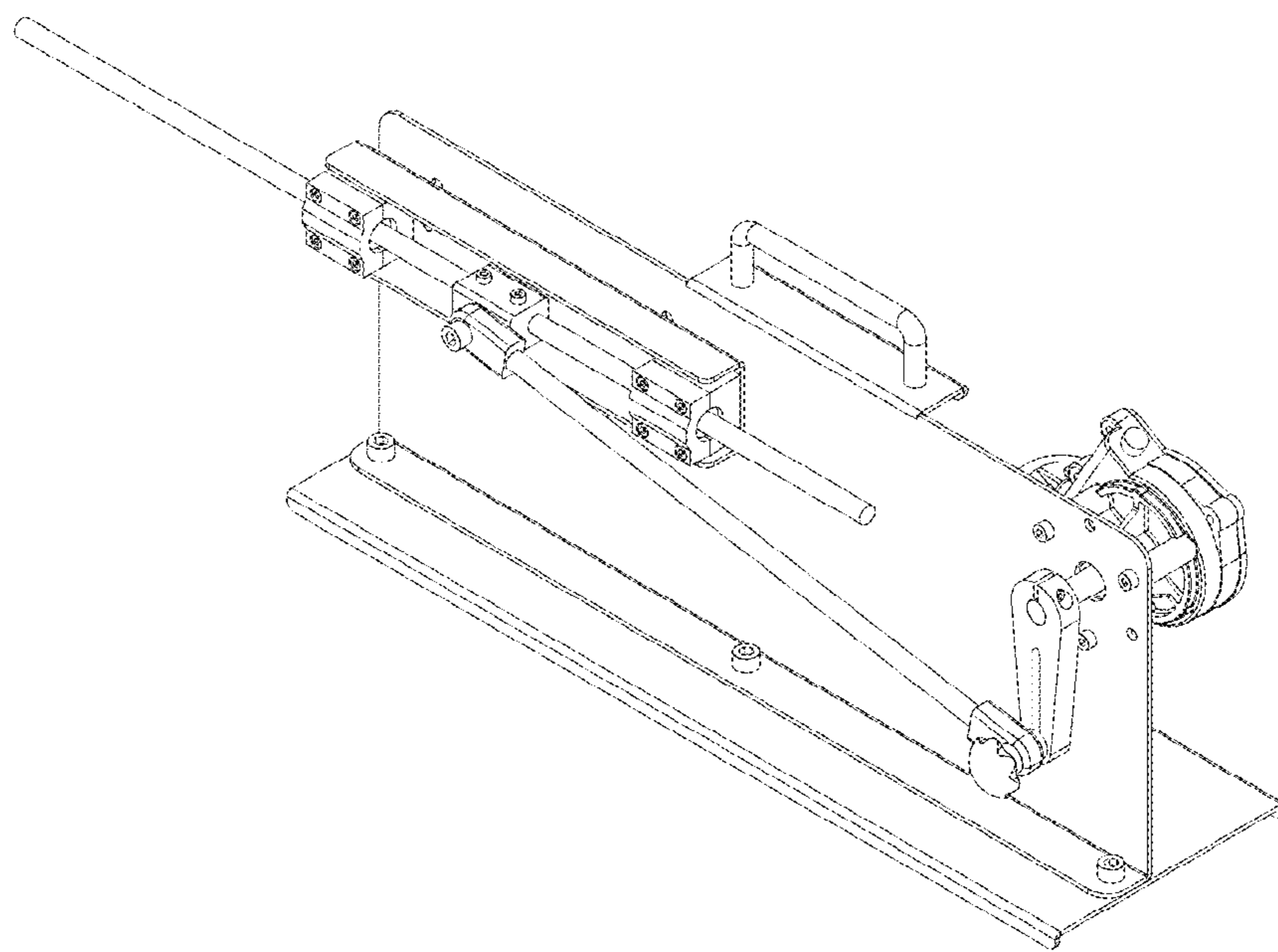


Fig. 10

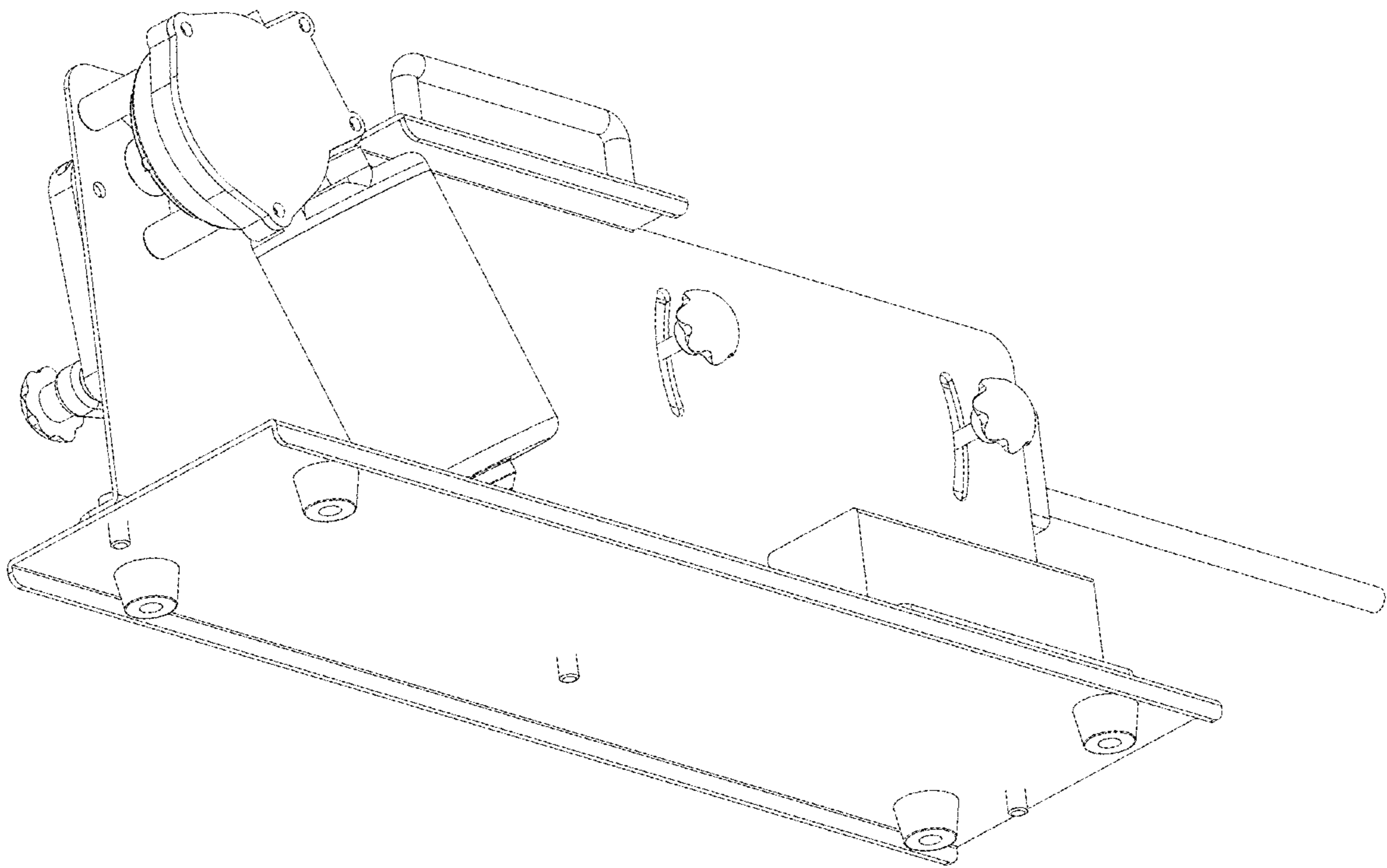


Fig. 11