



US00D868272S

(12) **United States Design Patent** (10) **Patent No.:** **US D868,272 S**  
**Badger et al.** (45) **Date of Patent:** **\*\* Nov. 26, 2019**

(54) **INFANT TEETHER**

(71) Applicant: **Doddle & Co, LLC**, Montclair, NJ (US)  
(72) Inventors: **Janna Badger**, Sandy, UT (US); **Nichole Radzely**, Montclair, NJ (US)  
(73) Assignee: **DODDLE & CO., LLC**, Montclair, NJ (US)  
(\*\*) Term: **15 Years**

(21) Appl. No.: **29/622,322**

(22) Filed: **Oct. 16, 2017**

(51) **LOC (12) Cl.** ..... **24-04**

(52) **U.S. Cl.**  
USPC ..... **D24/195**

(58) **Field of Classification Search**  
USPC ..... D24/193, 194, 195, 214; D30/160;  
D1/106, 108, 110, 113, 125, 126, 199;  
D3/234, 235, 236, 237, 243  
CPC ..... A61J 17/00; A61J 17/001  
See application file for complete search history.

(56) **References Cited**

**U.S. PATENT DOCUMENTS**

D373,450 S *	9/1996	O'Rourke	.....	D30/160
5,551,952 A *	9/1996	Falgout	.....	A61J 17/02 601/139
D640,383 S *	6/2011	Roehrig	.....	D24/194
D682,436 S *	5/2013	Lowsky	.....	D24/193
D722,419 S *	2/2015	Rogers	.....	D1/199
D724,235 S *	3/2015	Kuneyl	.....	D24/194
D739,033 S *	9/2015	Lee	.....	D24/195
D754,934 S *	4/2016	Guthrie	.....	D30/160
D799,150 S *	10/2017	Vielot	.....	D1/106
D836,785 S *	12/2018	Zhang	.....	D24/194
2009/0287247 A1 *	11/2009	Chipperson	.....	A61J 17/02 606/235
2012/0283774 A1 *	11/2012	Cudworth	.....	A61J 17/02 606/235

(Continued)

**OTHER PUBLICATIONS**

“Doddle & co: The Chew—Poppable Teethers”. Found online Mar. 22, 2019 at facebook.com. Page dated Jun. 15, 2018. Retrieved from [https://www.facebook.com/AlbeeBaby/photos/new!-@\[913528108695826:274:doddle-&-co\]-the/1923850760988026/](https://www.facebook.com/AlbeeBaby/photos/new!-@[913528108695826:274:doddle-&-co]-the/1923850760988026/).\*

(Continued)

*Primary Examiner* — Kendra Leslie Hamilton

(74) *Attorney, Agent, or Firm* — Middleton Reutlinger

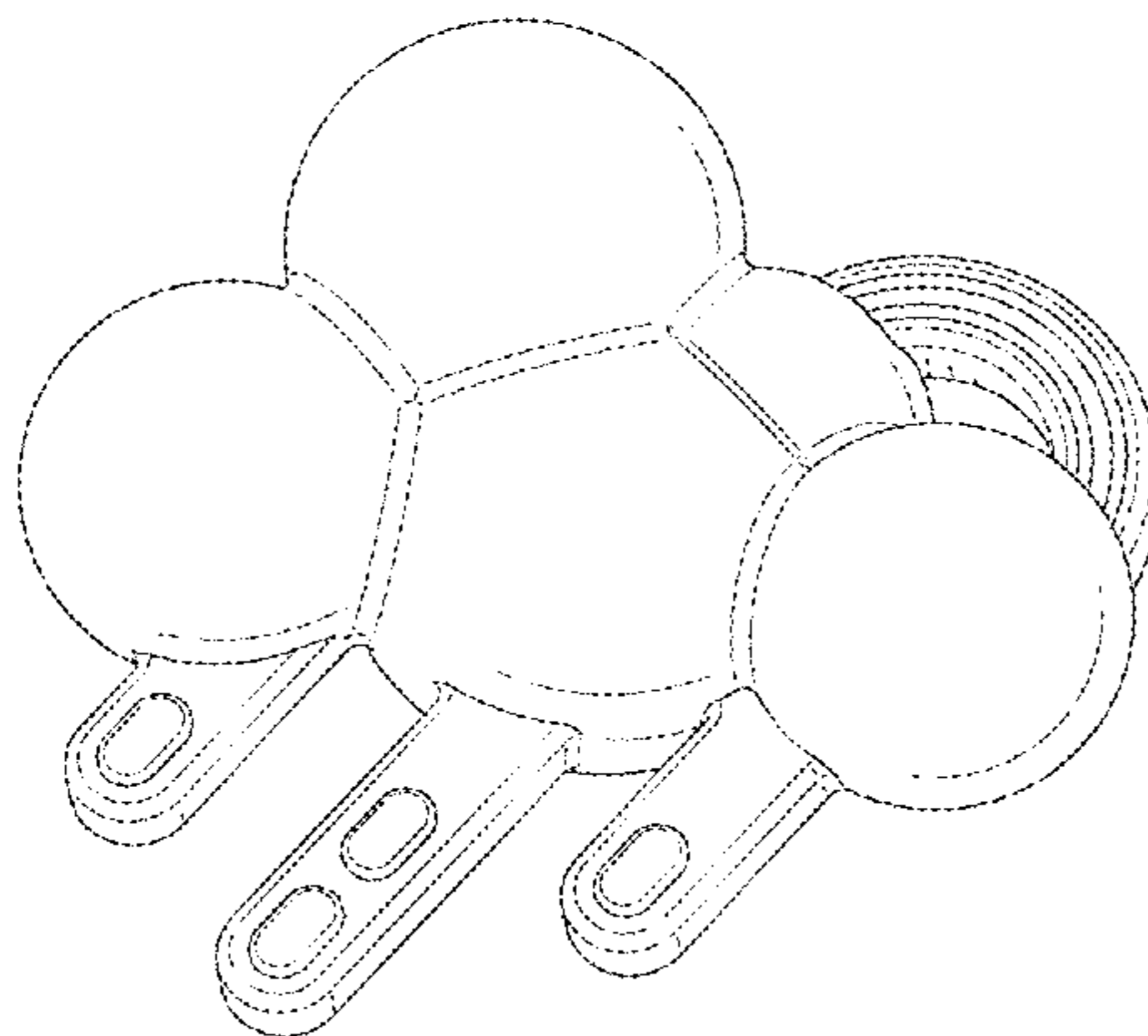
(57) **CLAIM**

The ornamental design for an infant teether, as shown and described.

**DESCRIPTION**

FIG. 1 is a top perspective view of a first embodiment of an infant teether;  
FIG. 2 is a bottom perspective view thereof;  
FIG. 3 is a top plan view thereof;  
FIG. 4 is a bottom plan view thereof;  
FIG. 5 is a rear elevation view thereof;  
FIG. 6 is a front elevation view thereof;  
FIG. 7 is a right side elevation view thereof; and  
FIG. 8 is a left side elevation view thereof;  
FIG. 9 is a top perspective view of a second embodiment of an infant teether;  
FIG. 10 is a bottom perspective view thereof;  
FIG. 11 is a top plan view thereof;  
FIG. 12 is a bottom plan view thereof;  
FIG. 13 is a rear elevation view thereof;  
FIG. 14 is a front elevation view thereof;  
FIG. 15 is a right side elevation view thereof; and,  
FIG. 16 is a left side elevation view thereof.  
The even-length broken lines in the drawings depict portions of the infant teether that form no part of the claimed design.

**1 Claim, 12 Drawing Sheets**



(56)

**References Cited**

U.S. PATENT DOCUMENTS

2014/0230752 A1\* 8/2014 Yerton ..... A01K 15/026  
119/709

OTHER PUBLICATIONS

“Little Teether Rainbow Teethers”. Found online Mar. 21, 2019 at  
instagram.com. Page dated Oct. 1, 2018. Retrieved from [https://  
www.instagram.com/p/BoaLOWSgZXU/](https://www.instagram.com/p/BoaLOWSgZXU/).\*

“Fitson: Water Filled Teether—Grape”. Found online Apr. 18, 2017  
at neuheiten.koelnmesse.net. Page dated c. 2012. Retrieved from  
[http://neuheiten.koelnmesse.net/100/2012/de/products/view/product\\_  
id:8406](http://neuheiten.koelnmesse.net/100/2012/de/products/view/product_id:8406).\*

“Richell Sun Teether”. Found online Mar. 14, 2019 at amazon.co.jp.  
Page dated May 13, 2006. Retrieved from [https://www.amazon.co.  
jp/...t1BJ&pf\\_rd\\_p=ad2ea29d-ea11-483c-9db2-6b5875bb9673&pf\\_  
rd\\_r=F22W023A0694F72R4FXG&psc=1&refRID=  
F22W023A0694F72R4FXG](https://www.amazon.co.jp/...t1BJ&pf_rd_p=ad2ea29d-ea11-483c-9db2-6b5875bb9673&pf_rd_r=F22W023A0694F72R4FXG&psc=1&refRID=F22W023A0694F72R4FXG).\*

\* cited by examiner

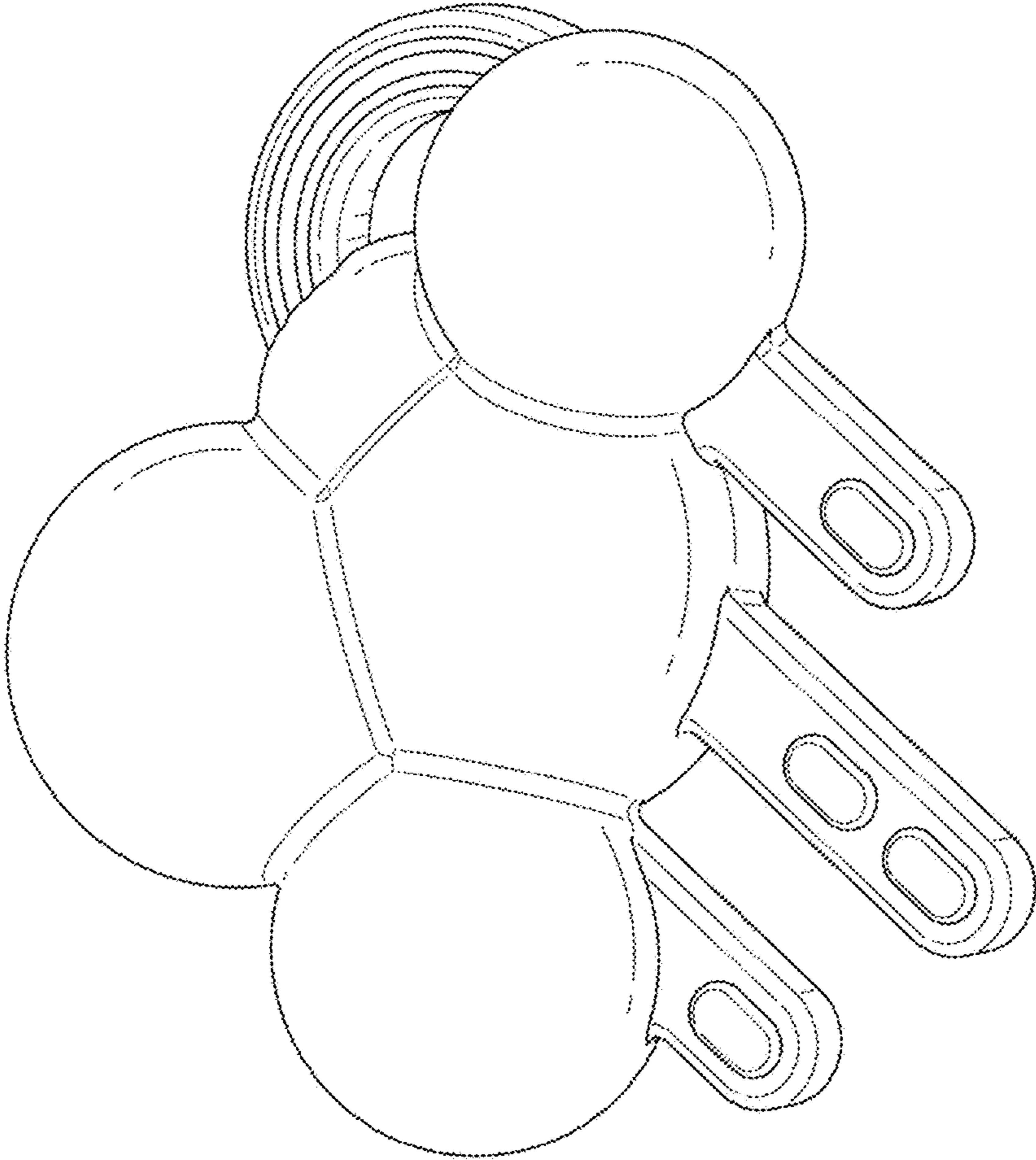


FIG. 1

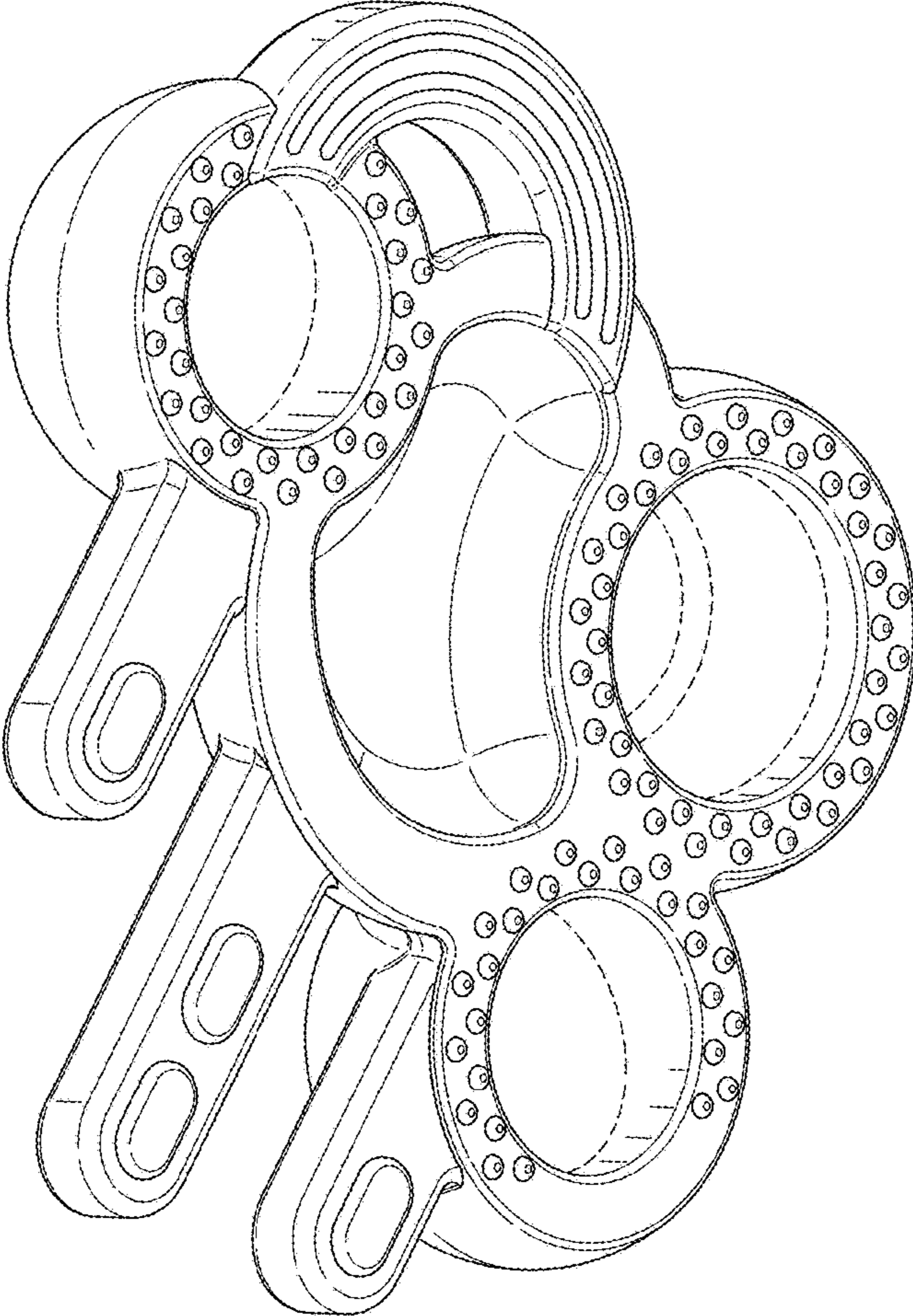


FIG. 2

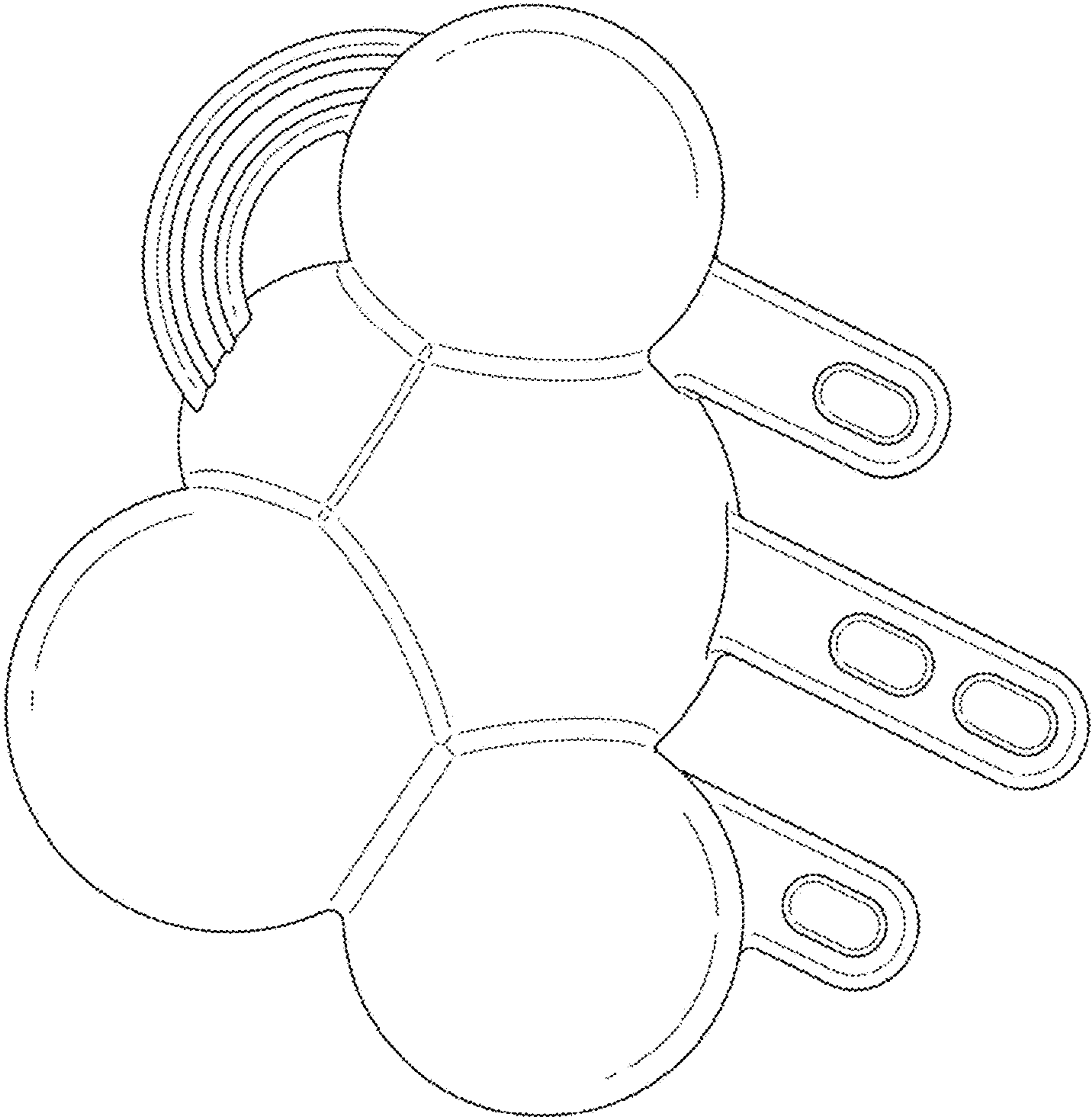


FIG. 3

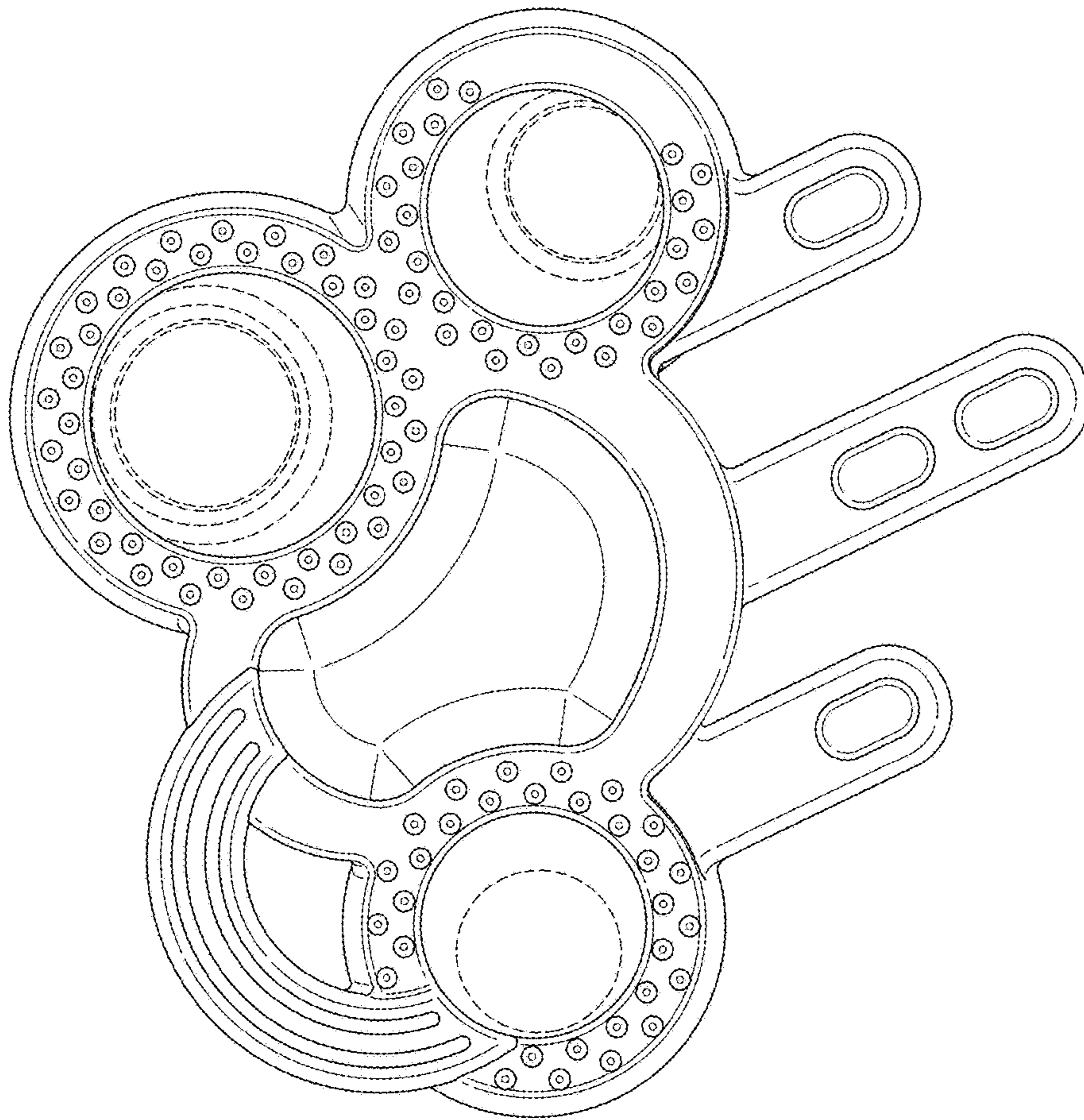


FIG. 4

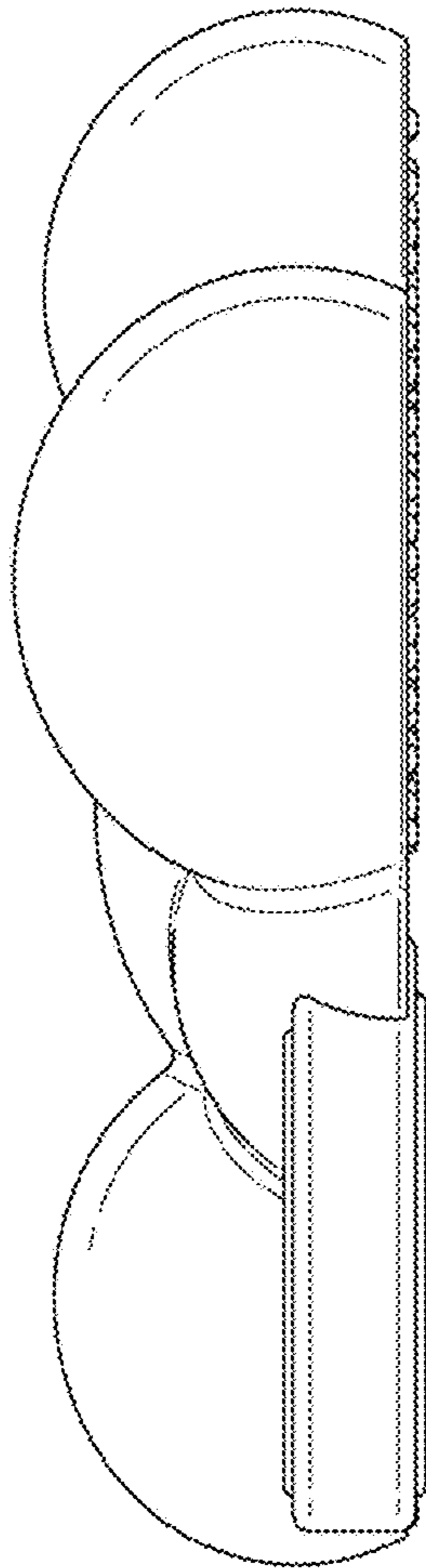


FIG. 5

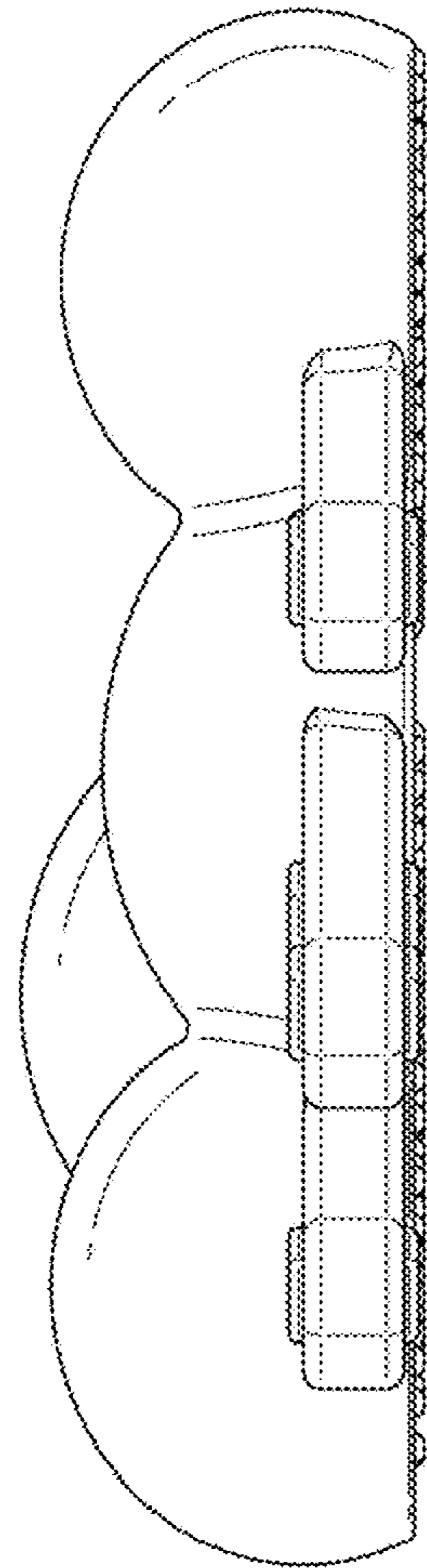


FIG. 6

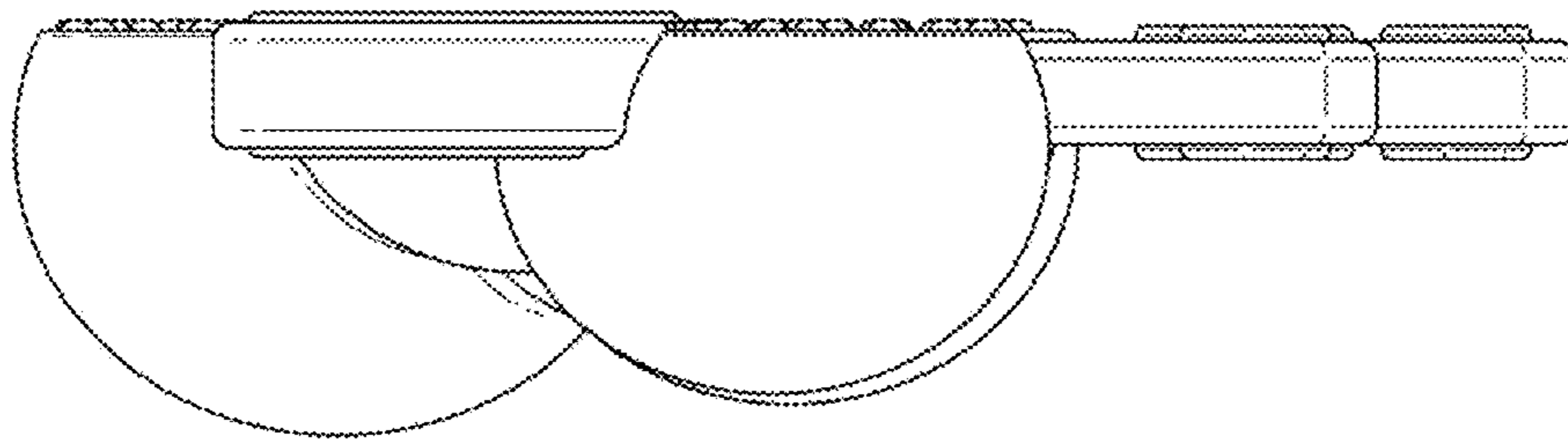


FIG. 8

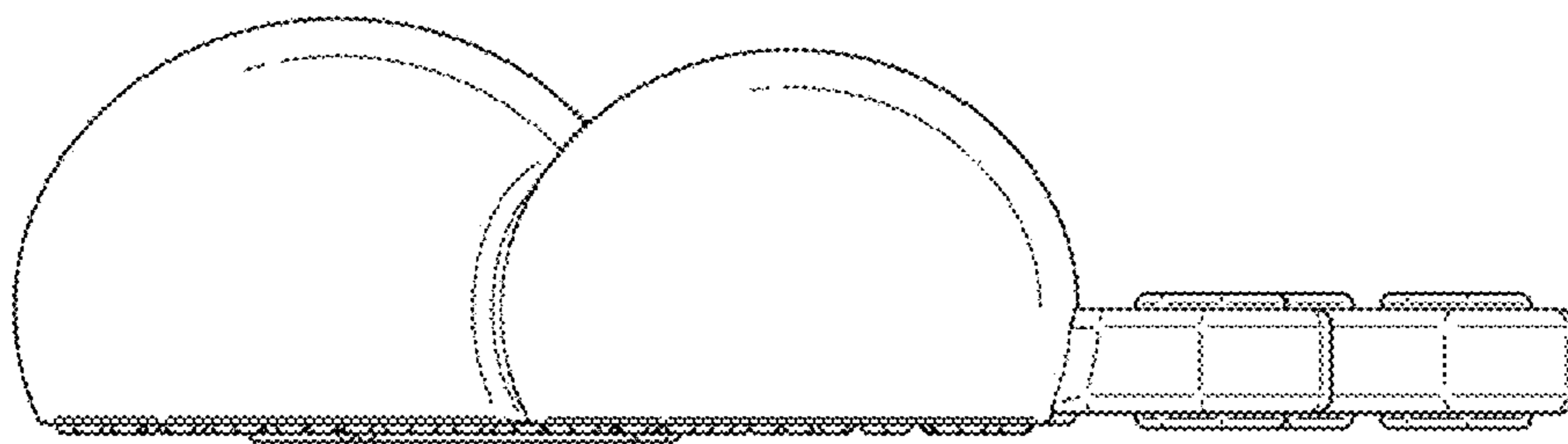


FIG. 7



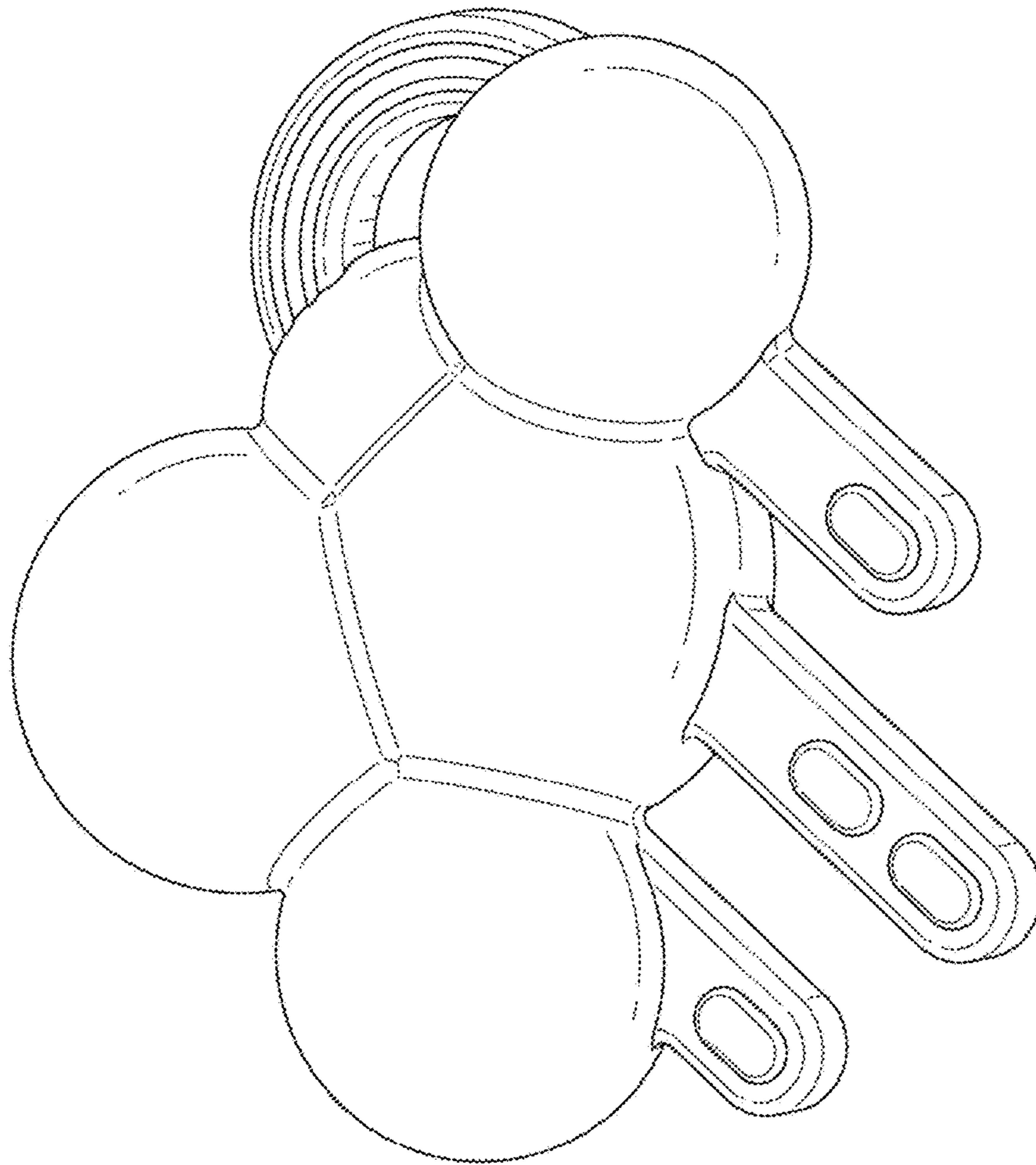


FIG. 9

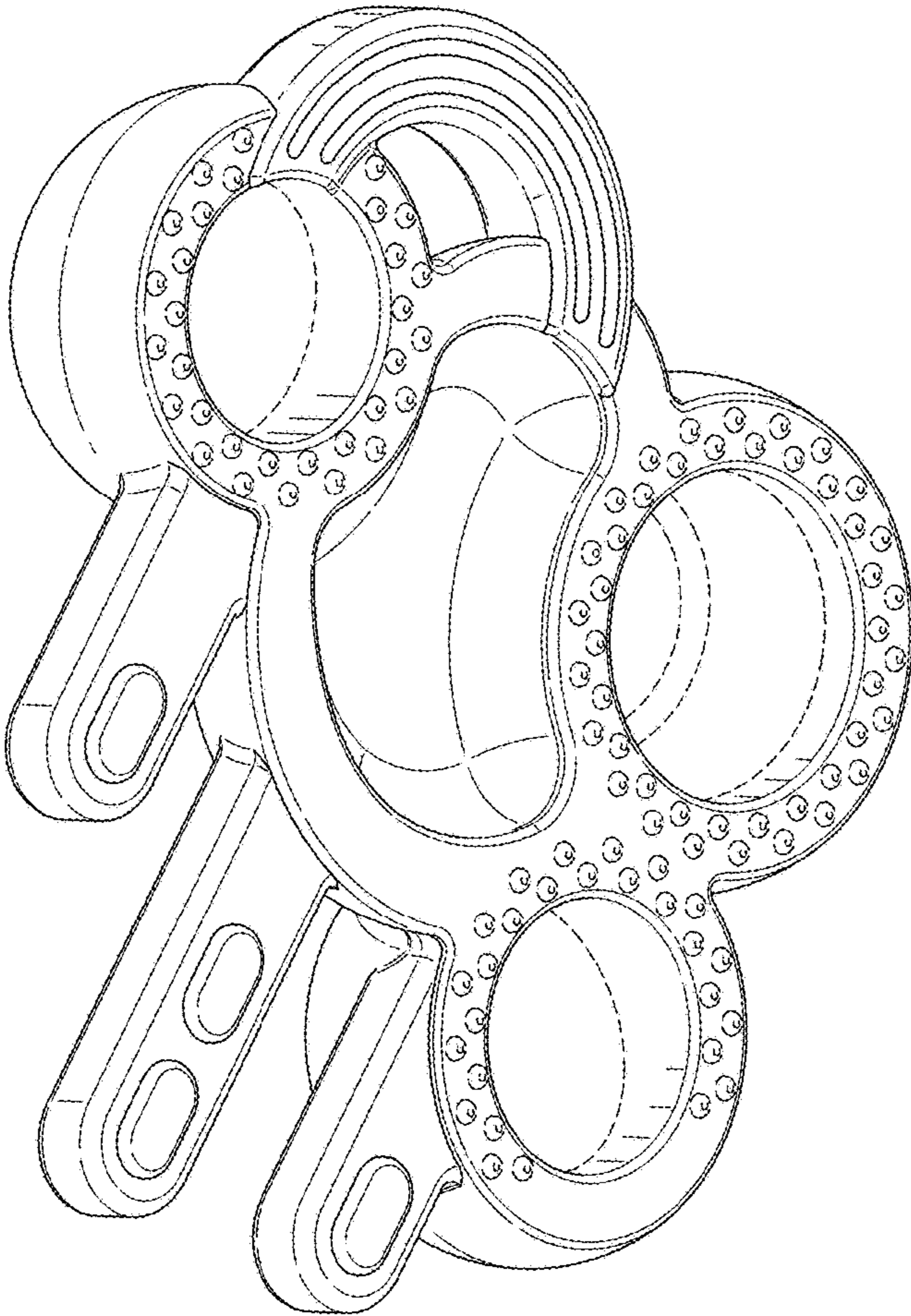


FIG. 10

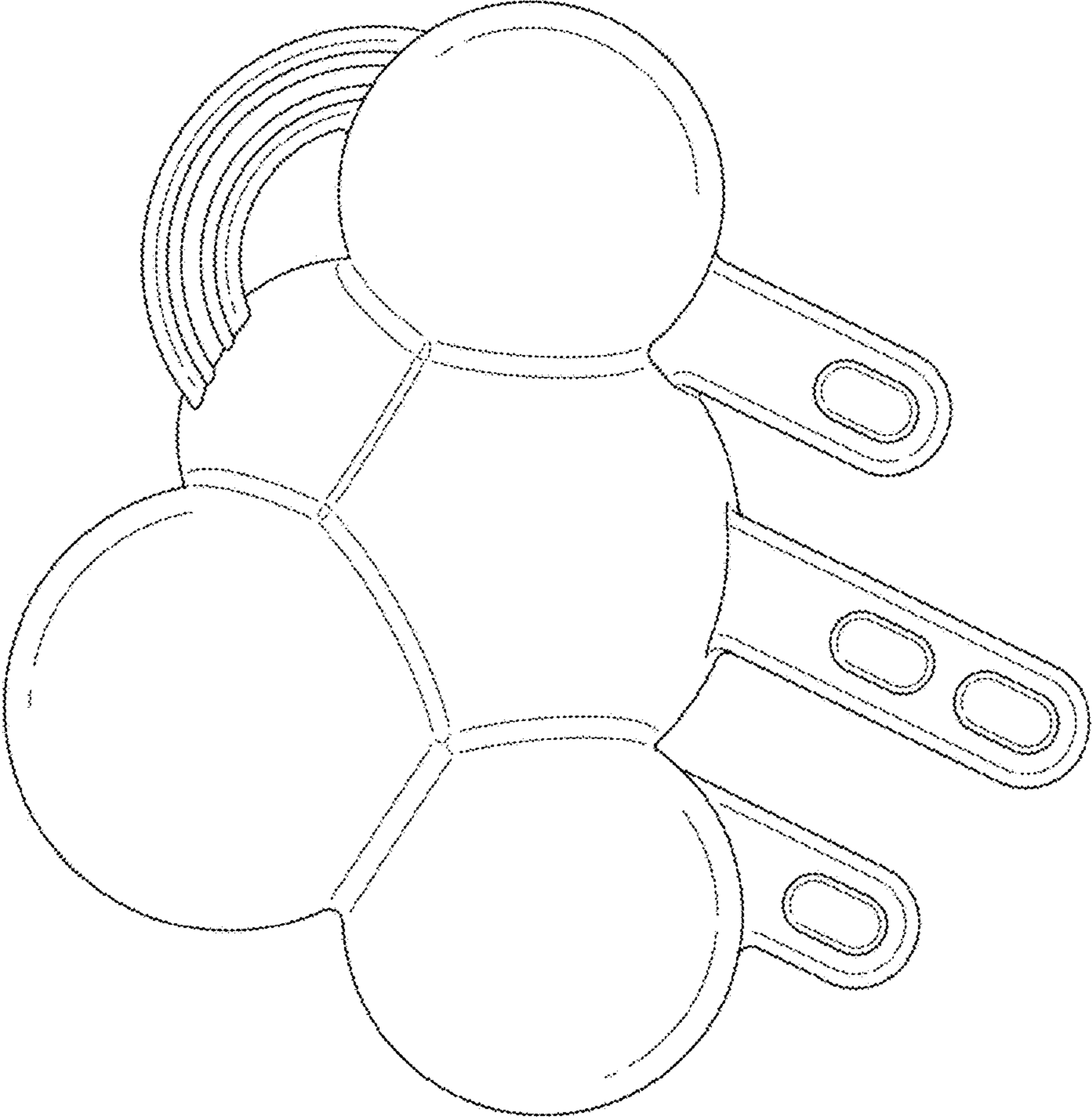


FIG. 11

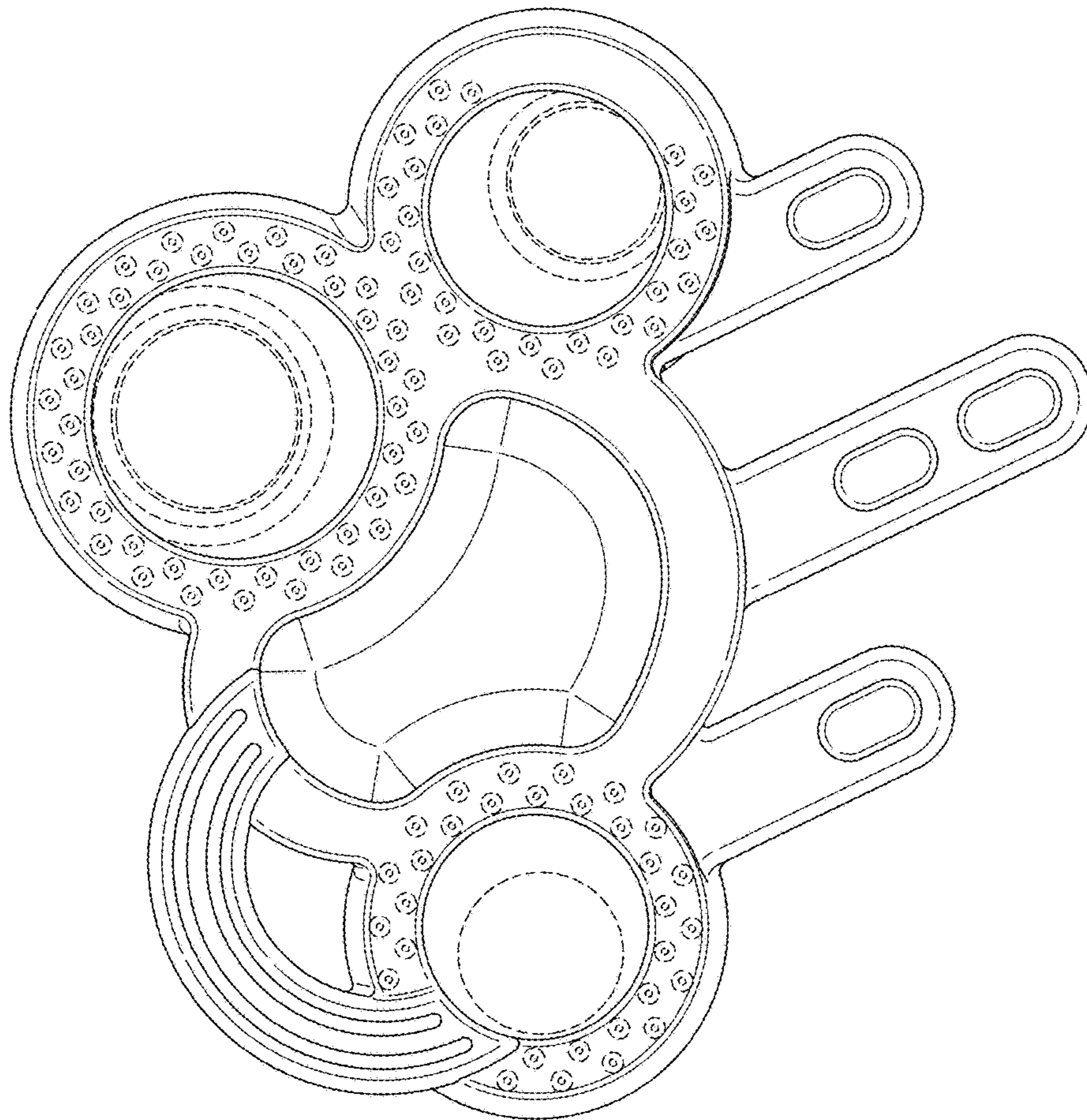


FIG. 12

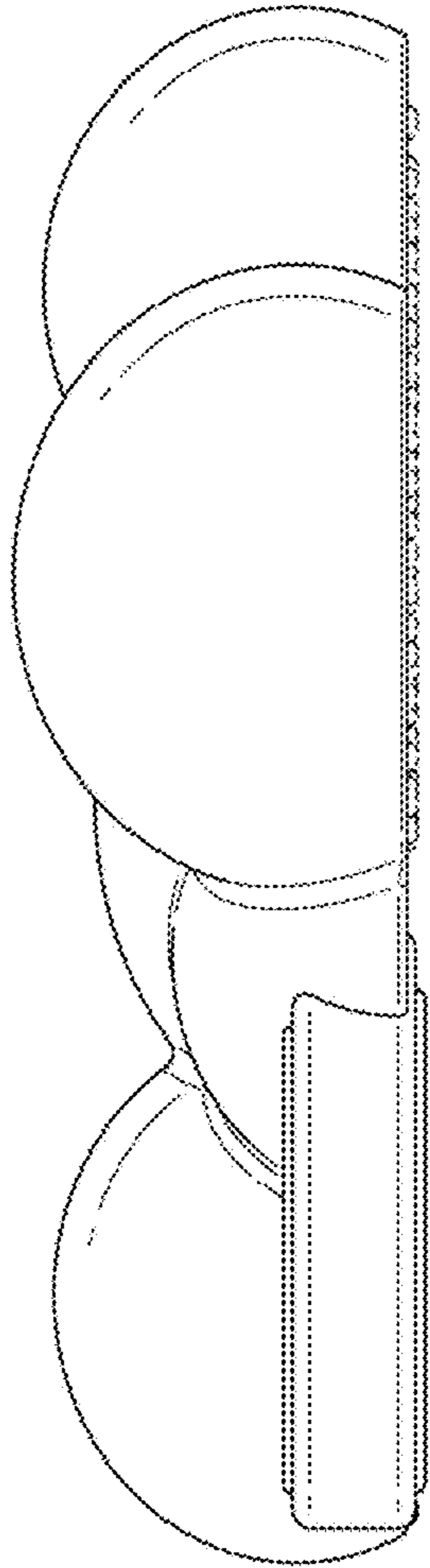


FIG. 13

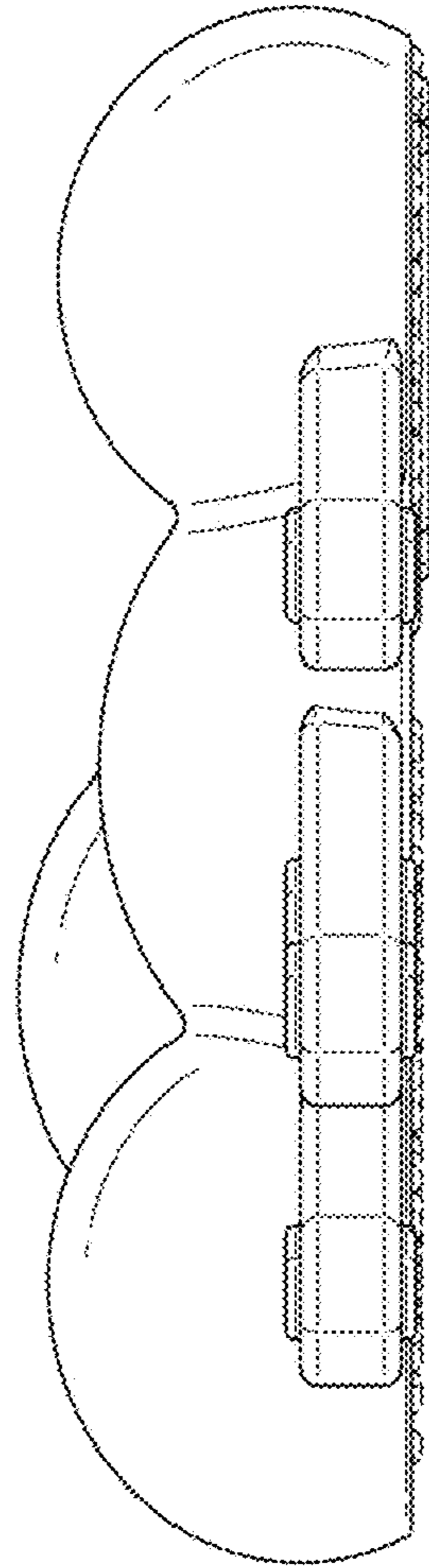


FIG. 14

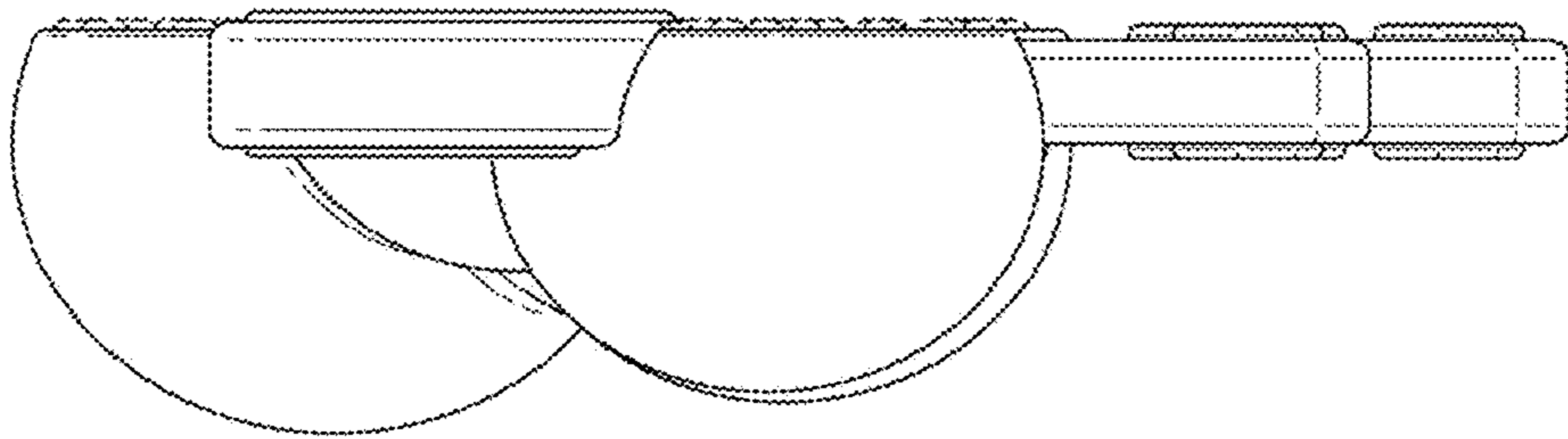


FIG. 16

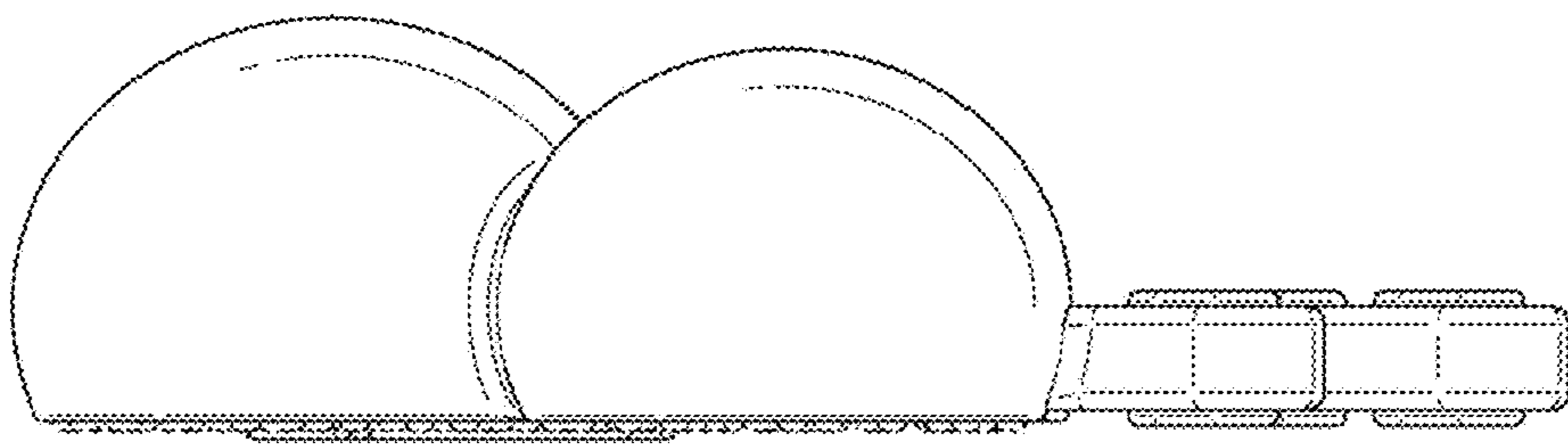


FIG. 15