



US00D868271S

(12) **United States Design Patent**
Coughlan

(10) **Patent No.:** **US D868,271 S**

(45) **Date of Patent:** **** Nov. 26, 2019**

- (54) **BELT**
- (71) Applicant: **Coulter Ventures LLC**
- (72) Inventor: **Laurie Ann Coughlan**, Columbus, OH (US)
- (73) Assignee: **Coulter Ventures, LLC.**, Columbus, OH (US)

4,918,758 A * 4/1990 Rendina A63F 9/0098
2/171
5,036,864 A * 8/1991 Yewer, Jr. A41F 9/002
128/876
5,178,163 A * 1/1993 Yewer, Jr. A41F 9/002
128/876
D352,114 S * 11/1994 Nicholson D24/190
5,388,274 A * 2/1995 Glover A61F 5/028
128/100.1

(Continued)

- (**) Term: **15 Years**
- (21) Appl. No.: **29/638,919**

- (22) Filed: **Mar. 1, 2018**
- (51) **LOC (12) Cl.** **24-04**
- (52) **U.S. Cl.**
USPC **D24/190**
- (58) **Field of Classification Search**
USPC D2/624-629, 631, 633-640, 701, 859,
D2/861; D3/224; D24/186, 190;
D29/101.1, 101.3; D21/805
CPC A41F 11/00; A41F 11/02; A41F 11/04;
A41F 11/06; A41F 11/14; A41F 11/16;
A41F 11/18; A41F 17/02; A41F 17/04;
A41F 19/00; A41F 3/00; A41F 3/02;
A41F 5/00; A41F 7/00; A41F 9/002;
A62B 35/00; B60R 2022/006; B60R
2022/008; B60R 22/00; B60R 22/10;
A45F 2003/144; A61F 5/02; A61F 5/028;
A41C 1/08; A41C 1/10
See application file for complete search history.

(56) **References Cited**

U.S. PATENT DOCUMENTS

4,509,214 A * 4/1985 Shea A41F 9/002
2/237
D296,919 S * 7/1988 Faulconer D21/805
D303,318 S * 9/1989 Clary D29/101.5
4,907,576 A * 3/1990 Curlee A61F 5/028
602/19

OTHER PUBLICATIONS

Product listing for Rogue 13mm Powerlifting Belt from <https://web.archive.org/web/20161119070942/http://www.roguefitness.com:80/rogue-13mm-powerlifting-belt>, dated Nov. 19, 2016.

(Continued)

Primary Examiner — Kevin K Rudzinski
Assistant Examiner — Clare Ann Gannon
(74) *Attorney, Agent, or Firm* — Banner & Witcoff, Ltd.

(57) **CLAIM**

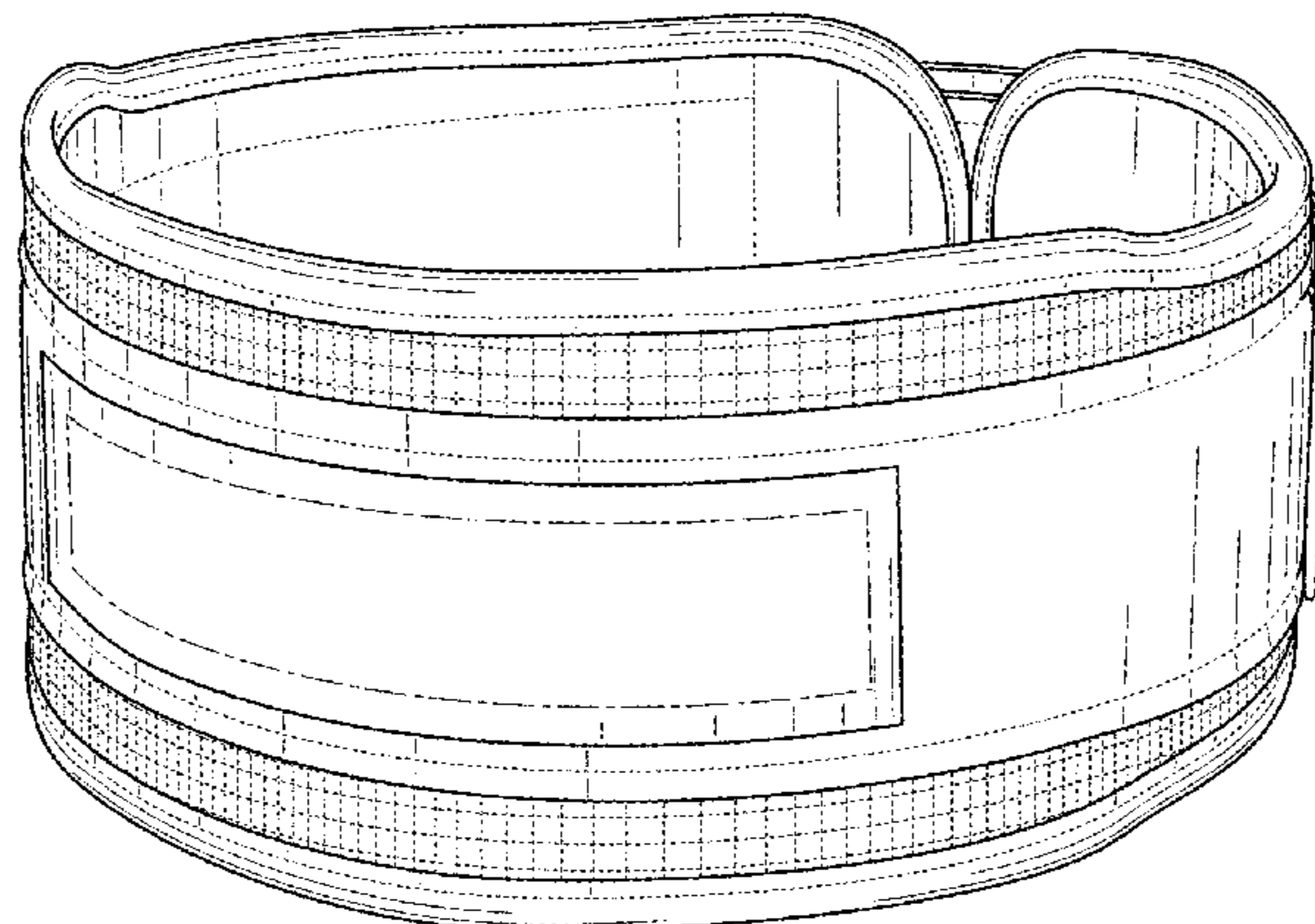
The ornamental design for a belt, as shown and described.

DESCRIPTION

FIG. 1 is a top, front, right perspective view of a belt showing my new design;
FIG. 2 is a front view thereof;
FIG. 3 is a rear view thereof;
FIG. 4 is a left side view thereof;
FIG. 5 is a right side view thereof;
FIG. 6 is a top view thereof; and,
FIG. 7 is a bottom view thereof.

The even-length broken lines represent stitching. The uneven-length broken lines represent boundary that forms no part of the claimed design. The unshaded surface within the uneven-length broken lines forms no part of the claimed design. The contrasting shading of the rectangle in FIGS. 3 and 5 represents a hook-and-loop fastener.

1 Claim, 5 Drawing Sheets



(56)

References Cited

U.S. PATENT DOCUMENTS

D356,659	S *	3/1995	Glass	A41F 9/002 D2/627
5,432,951	A *	7/1995	Yewer, Jr.	A41F 9/002 139/384 R
5,464,136	A *	11/1995	Eddy	A45F 5/02 2/308
5,500,959	A *	3/1996	Yewer, Jr.	A61F 5/028 2/311
D370,771	S *	6/1996	Randall	D29/101.5
D404,490	S *	1/1999	Tripolsky	D24/190
D408,116	S *	4/1999	Gale	A61F 5/028 D2/624
D422,709	S *	4/2000	Caswell	A61F 5/028 D2/624
D447,603	S *	9/2001	Slautterback	D29/101.3
D499,846	S *	12/2004	Cesko	D29/101.3
D554,761	S *	11/2007	Marin	D24/206
D595,859	S *	7/2009	Young	D24/190
D648,440	S *	11/2011	Allen	D24/190
D657,063	S *	4/2012	Chiang	D24/190
D745,101	S *	12/2015	Cottin	A41F 9/002 D21/805
D749,230	S *	2/2016	Safko	D24/190
D750,328	S *	2/2016	Feight	A41F 9/002 D29/101.5
D753,244	S *	4/2016	Hovey	A41F 11/16 D21/662
D772,226	S *	11/2016	Zenoff	D14/344
D784,546	S *	4/2017	Gordon	A61F 5/028 D24/190
D831,221	S *	10/2018	Smith	D24/190
2007/0232973	A1 *	10/2007	Serola	A61F 5/028 602/19

OTHER PUBLICATIONS

Product listing for Rogue Ohio Lifting Belt from <https://web.archive.org/web/20161219014345/http://www.roguefitness.com:80/rogue-ohio-lifting-belt>, dated Nov. 19, 2016.

Product listing for Rogue Oly Ohio Lifting Belt from <https://web.archive.org/web/20161124082023/http://www.roguefitness.com:80/rogue-oly-ohio-lifting-belt>, dated Nov. 24, 2016.

Product listing for Rogue Echo 10mm Lifting Belt from <https://web.archive.org/web/20161215234459/http://www.roguefitness.com:80/rogue-echo-lifting-belt>, dated Dec. 15, 2016.

Product listing for Rogue 4 inch Nylon Weightlifting Belt from <https://web.archive.org/web/20161120001632/http://www.roguefitness.com:80/rogue-4-weightlifting-belt>, dated Nov. 20, 2016.

Product listing for Rogue 5 inch Nylon Weightlifting Belt from <https://web.archive.org/web/20161127150633/http://www.roguefitness.com:80/rogue-5-weightlifting-belt>, dated Nov. 27, 2016.

Product Listing for Setwear Smart Back Belt from <https://web.archive.org/web/2016110223433/http://www.roguefitness.com:80/setwear-smart-back-belt>, dated Nov. 10, 2016.

Product listing for Setwear Sport Series Belt from <https://web.archive.org/web/20161113225302/http://www.roguefitness.com:80/setwear-sport-series-belt-pink>, dated Nov. 13, 2016.

Product listing for Schiek 2004 Lifting Belt from <https://web.archive.org/web/20161201110610/http://www.roguefitness.com:80/schiek-2004-lifting-belt>, dated Dec. 1, 2016.

Product listing for Nike Strength Training Belt from <https://web.archive.org/web/20161213115626/http://www.roguefitness.com:80/nike-strength-training-belt-midnight>, dated Dec. 13, 2016.

Product listing for Nike Strength Training Belt 2.0 from <https://web.archive.org/web/20161206015028/http://www.roguefitness.com:80/nike-strength-training-belt-2-0-black-red>, dated Dec. 6, 2016.

Product listing for Nike Intensity Training Belt from <https://web.archive.org/web/20161123132400/http://www.roguefitness.com:80/nike-intensity-training-belt>, dated Nov. 23, 2016.

Product listing for Schiek 3006 Powerlifting Belt from <https://web.archive.org/web/2016110223706/http://www.roguefitness.com:80/schiek-3006-powerlifting-belt>, dated Nov. 10, 2016.

Product listing for Schiek 2004 Lifting Belt Camo from <https://web.archive.org/web/20161123185814/http://www.roguefitness.com:80/schiek-2004-lifting-belt-camo>, dated Nov. 23, 2016.

Product listing for Schiek 2004 Lifting Belt Yellow from <https://web.archive.org/web/20161228172449/http://www.roguefitness.com:80/schiek-2004-lifting-belt-yellow>, dated Dec. 28, 2016.

Product listing for Schiek 2004 Lifting Belt Pink from <https://web.archive.org/web/20161123080512/http://www.roguefitness.com:80/schiek-2004-lifting-belt-pink>, dated Nov. 23, 2016.

Product listing for Schiek 2004 Lifting Belt Purple from <https://web.archive.org/web/20161201110618/http://www.roguefitness.com:80/schiek-2004-lifting-belt-purple>, dated Dec. 1, 2016.

Product listing for Schiek 3004 Powerlifting Belt from <https://web.archive.org/web/20161123185837/http://www.roguefitness.com:80/schiek-3004-power-lifting-belt>, dated Nov. 23, 2016.

Product listing for HumanX by Harbinger 6 inch Coreflex Contoured Belt from <https://web.archive.org/web/20161125142301/http://www.roguefitness.com:80/humanx-by-harbinger-6-coreflex-contoured-belt>, dated Nov. 25, 2016.

Product listing for HumanX by Harbinger 5 inch Coreflex Contoured Belt from <https://web.archive.org/web/20170110084152/http://www.roguefitness.com:80/humanx-by-harbinger-5-coreflex-contoured-belt>, dated Jan. 10, 2017.

Product listing for HumanX by Harbinger Womens 5 inch Coreflex Contoured Belt from <https://web.archive.org/web/20160912025419/http://www.roguefitness.com:80/humanx-by-harbinger-women-s-5-coreflex-contoured-belt>, Dated Sep. 12, 2016.

Product listing for HumanX by Harbinger 5 inch Foam Core Belt from <https://web.archive.org/web/20161113061608/http://www.roguefitness.com:80/harbinger-5-foam-core-belt>, dated Nov. 13, 2016.

Product listing for HumanX by Harbinger Womens 5 inch Foam Core Belt from <https://web.archive.org/web/20161120194620/http://www.roguefitness.com:80/harbinger-women-s-5-foam-core-belt>, dated Nov. 20, 2016.

Product listing for Spud Inc Pro Series Deadlift Belt from <https://web.archive.org/web/20161210124939/http://www.roguefitness.com:80/pro-series-deadlift-belt>, dated Dec. 10, 2016.

Product listing for Spud Inc Womens 2-Ply Deadlift Belt Pink from <https://web.archive.org/web/20170122220723/http://www.roguefitness.com:80/deadlift-belt-pink>, dated Jan. 22, 2017.

Product listing for 2-Ply Deadlift Belt from <https://web.archive.org/web/20161103013005/http://www.roguefitness.com:80/2-ply-deadlift-belt>, dated Nov. 3, 2016.

Product listing for Rogue Dip Belt from <https://web.archive.org/web/20161119095800/http://www.roguefitness.com:80/dip-belt>, dated Nov. 19, 2016.

Product listing for Spud Inc Belt Squat Belt from <https://web.archive.org/web/20161129060521/http://www.roguefitness.com:80/belt-squat-belt>, dated Nov. 29, 2016.

Product listing for Shiek 2004 Lifting Belt from <https://web.archive.org/web/20170714064121/http://www.roguefitness.com:80/schiek-2004-lifting-belt>, dated Jul. 14, 2017.

Product listing for Schiek 3006 Powerlifting Belt from <https://web.archive.org/web/20170619053011/http://www.roguefitness.com:80/schiek-3006-powerlifting-belt>, dated Jun. 19, 2017.

Product listing for Schiek 2004 Lifting Belt Stars and Stripes from <https://web.archive.org/web/20170709114157/http://www.roguefitness.com:80/schiek-2004-lifting-belt-stars-and-stripes>, dated Jul. 9, 2017.

Photos of Rogue Nylon USA Belt from <https://www.roguefitness.com/rogue-usa-nylon-lifting-belt>, dated Jan. 9, 2019, product believed to be available prior to Mar. 1, 2018, but not prior to Mar. 1, 2017.

* cited by examiner

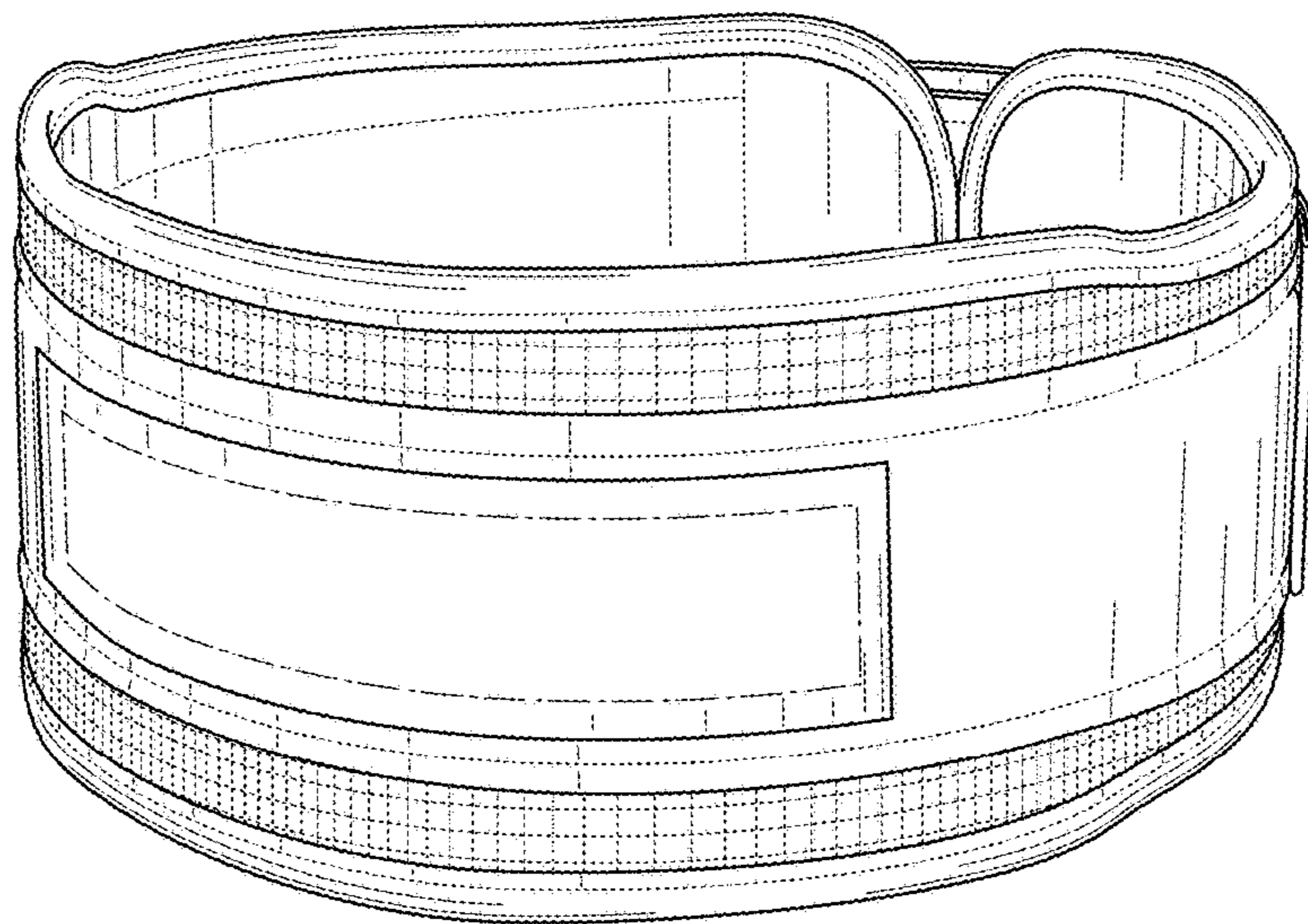


FIG. 1

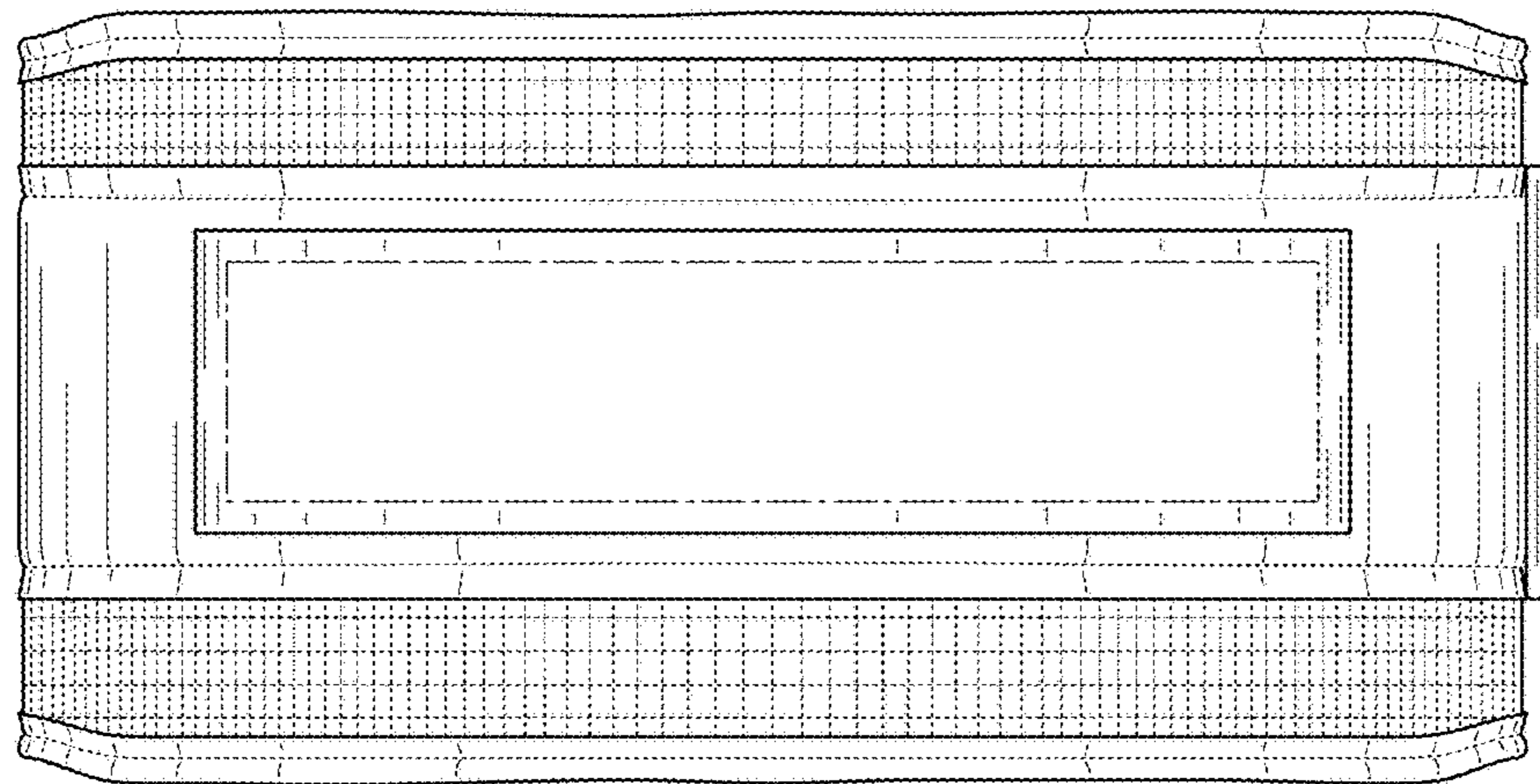


FIG. 2

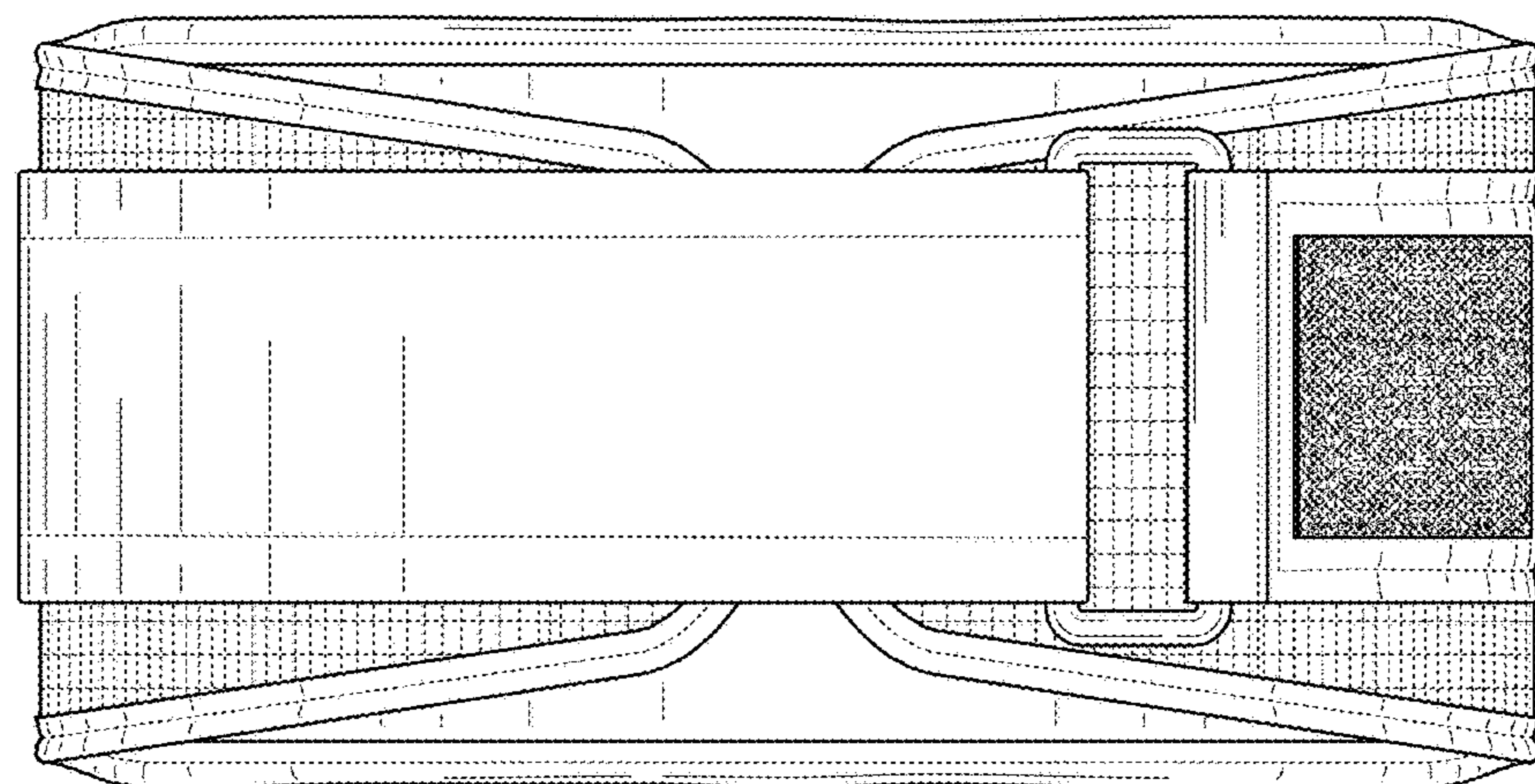


FIG. 3

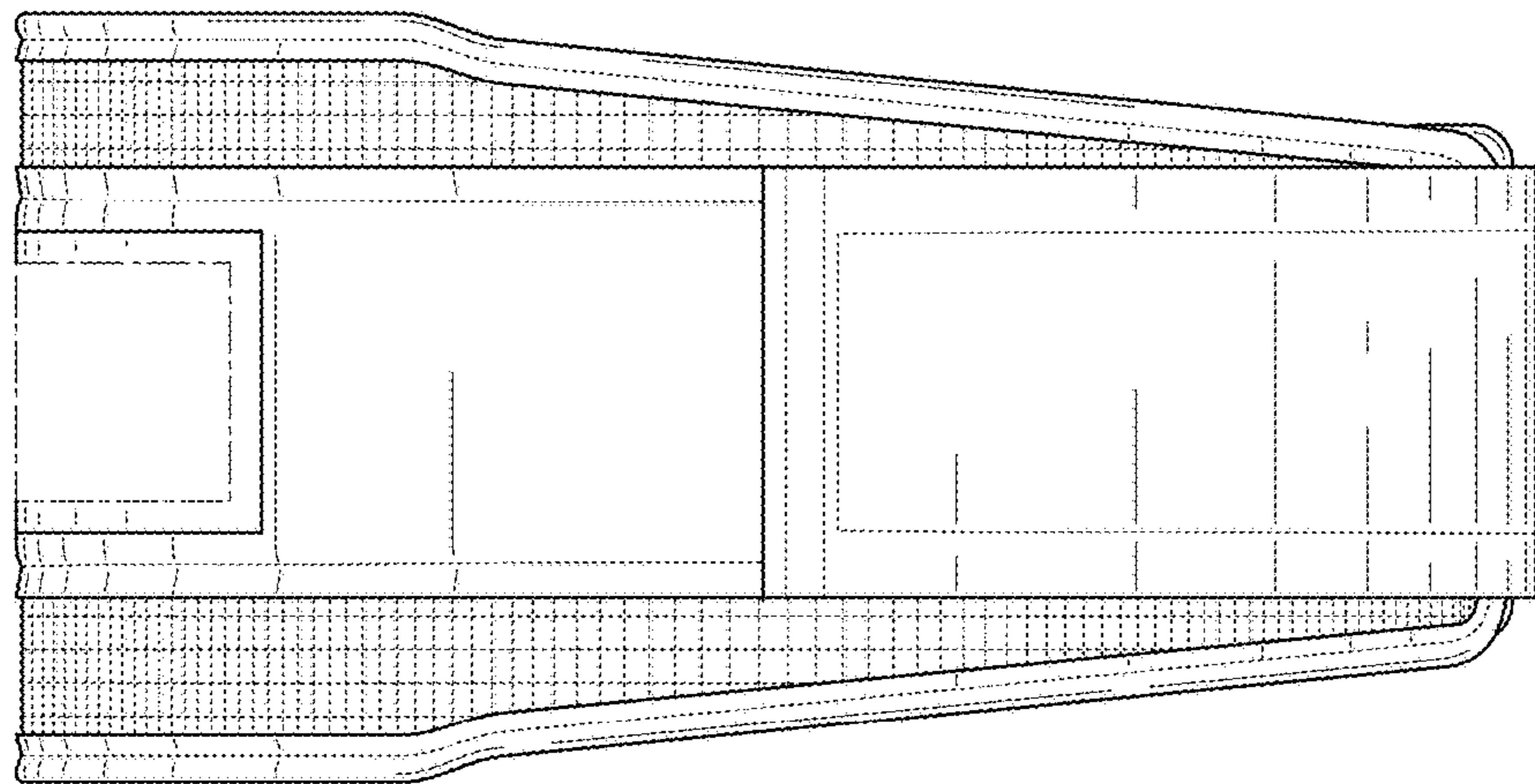


FIG. 4

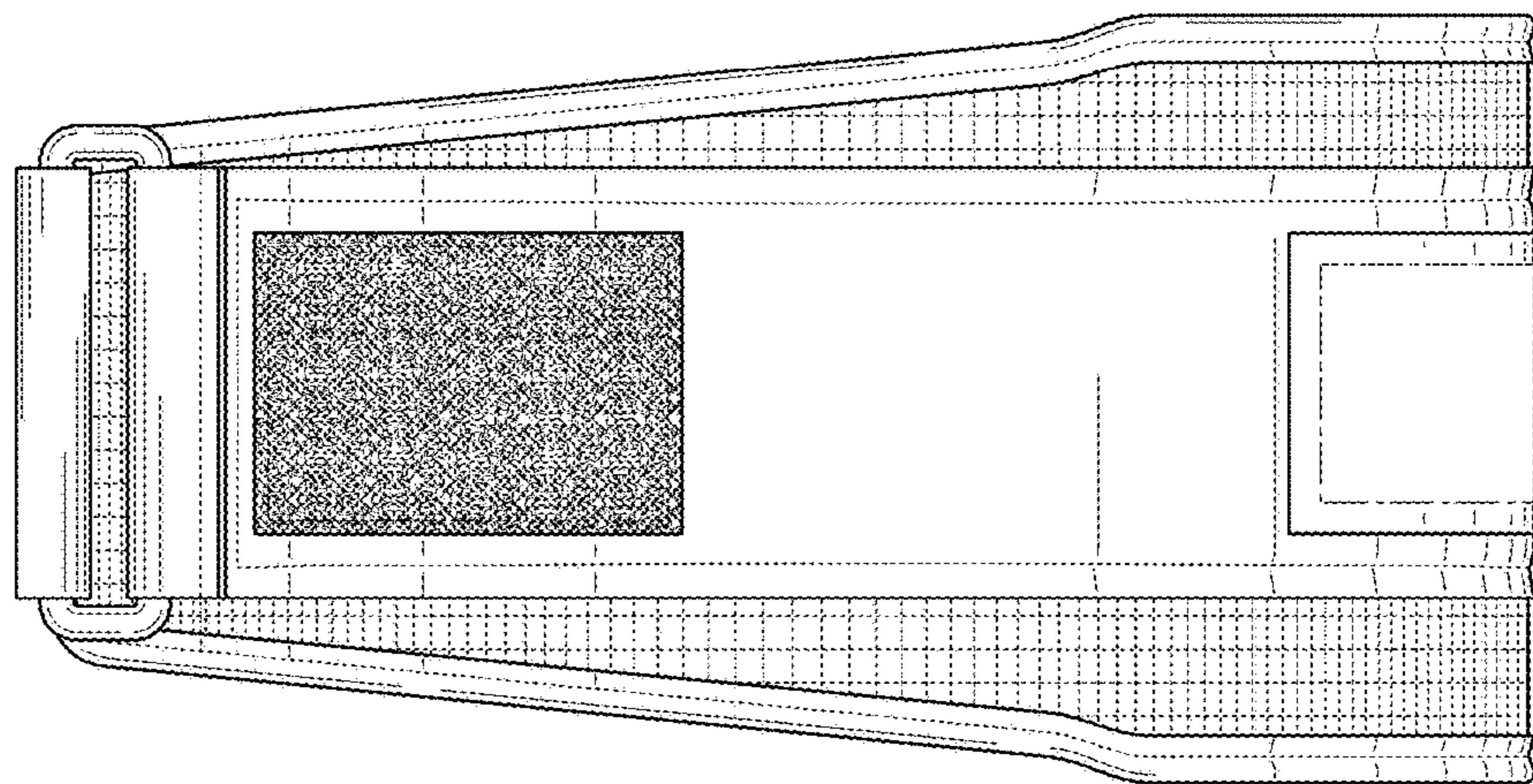


FIG. 5

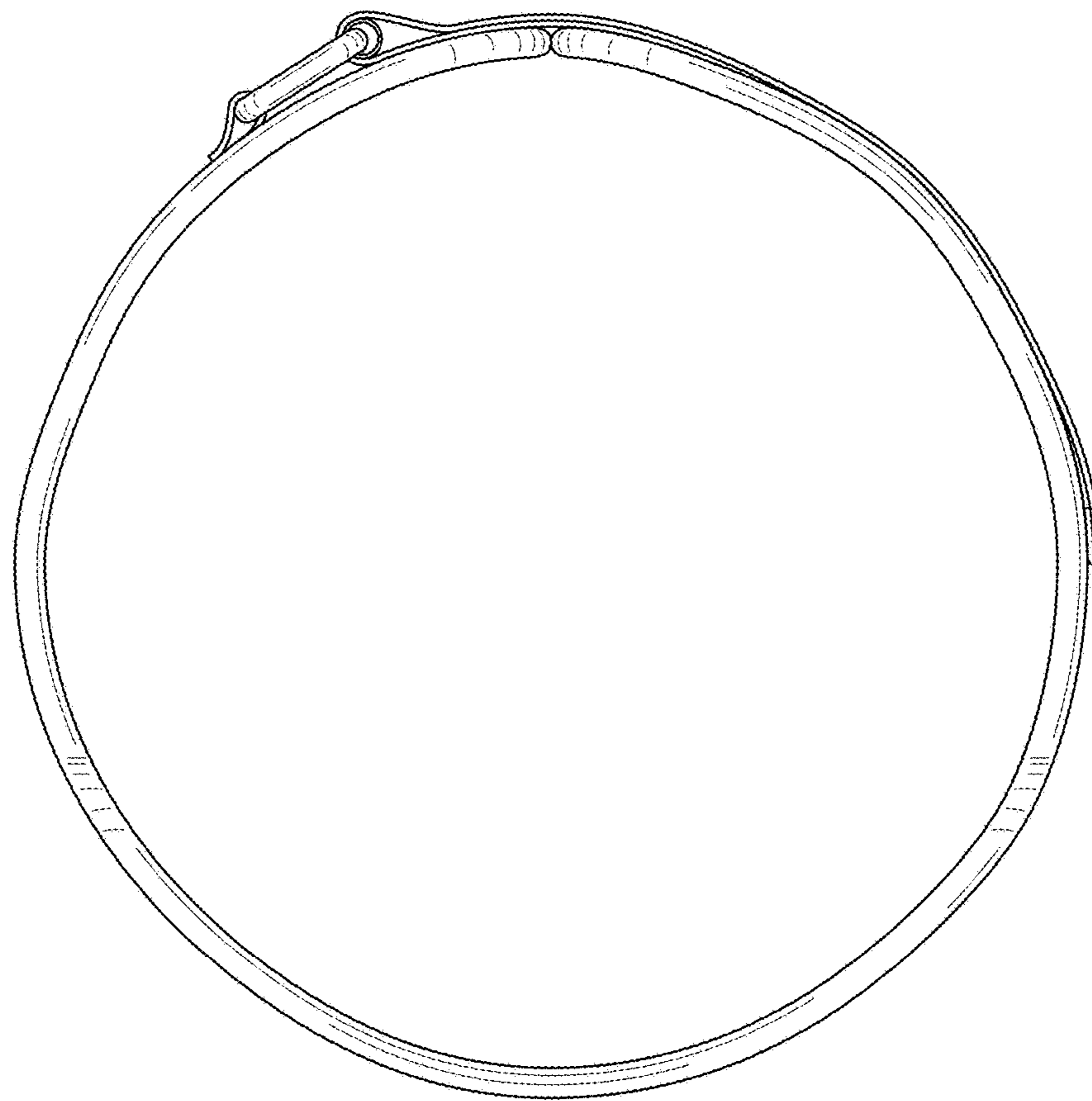


FIG. 6

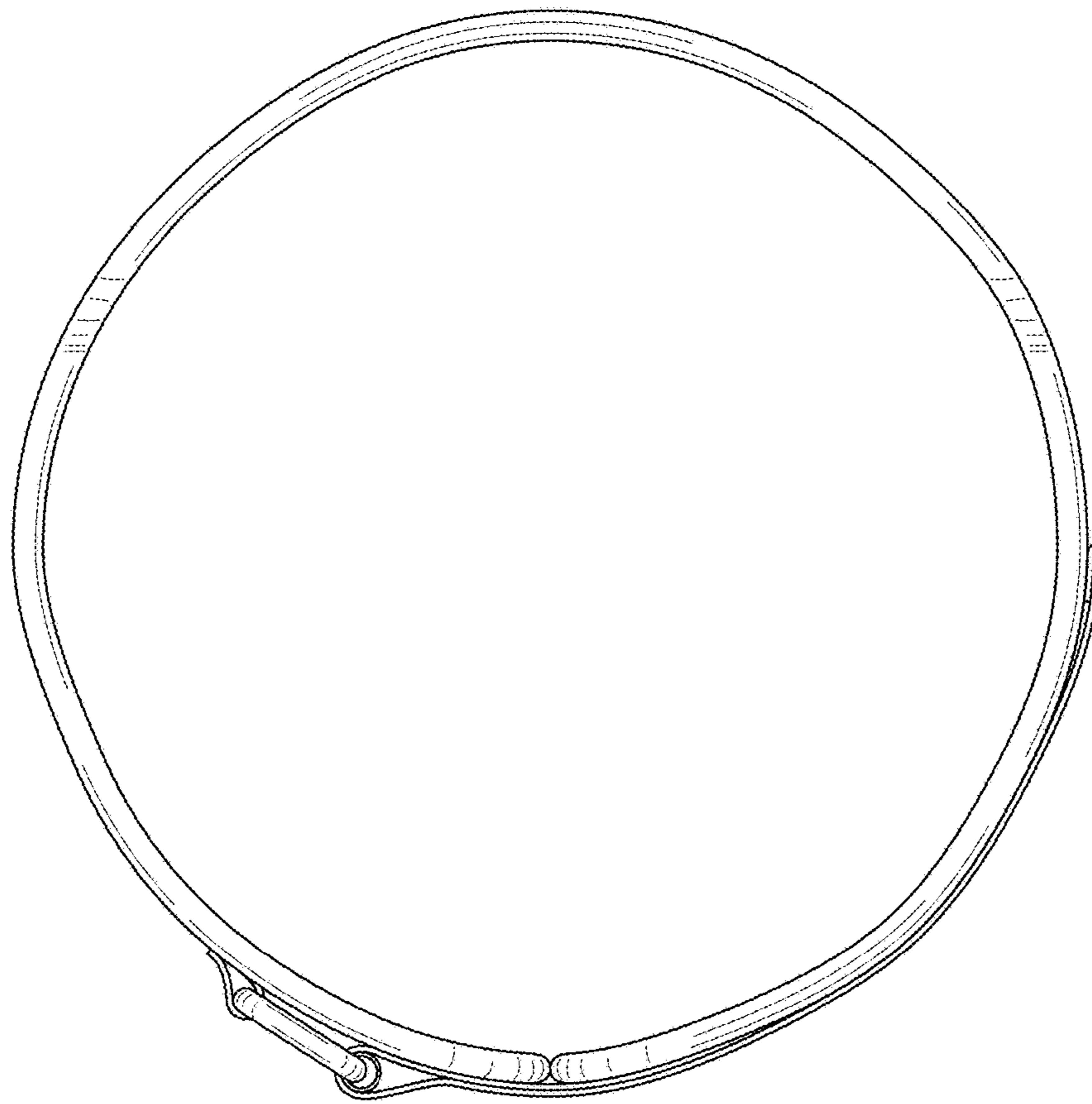


FIG. 7