



US00D868270S

(12) **United States Design Patent**
Nadeau

(10) **Patent No.:** **US D868,270 S**

(45) **Date of Patent:** **** Nov. 26, 2019**

(54) **POSTURE DEVICE**

(71) Applicant: **Sheena Jean Nadeau**, San Francisco, CA (US)

(72) Inventor: **Sheena Jean Nadeau**, San Francisco, CA (US)

(**) Term: **15 Years**

(21) Appl. No.: **29/629,021**

(22) Filed: **Dec. 11, 2017**

Related U.S. Application Data

(63) Continuation-in-part of application No. 15/595,703, filed on May 15, 2017.

(51) **LOC (12) Cl.** **24-01**

(52) **U.S. Cl.**
USPC **D24/190**

(58) **Field of Classification Search**
USPC D24/188-192; D8/349, 354
CPC A61H 3/00; A61H 2201/165; A61H 2201/1215; A61H 2201/1642; A61H 3/008; A63B 23/025; A63B 21/4003; A63B 23/0211; A63B 2225/09; A63B 2023/006; A61B 17/8685; A61B 17/746; A61B 17/68; A61B 17/744; A61B 34/20; A61B 17/8625; A61B 17/869

See application file for complete search history.

(56) **References Cited**

U.S. PATENT DOCUMENTS

- 4,010,744 A * 3/1977 Boyen A61F 5/3715 602/36
- 4,278,249 A * 7/1981 Forrest A63B 23/025 482/10
- 5,582,585 A * 12/1996 Nash-Morgan A45D 44/22 428/343

- 5,807,220 A * 9/1998 Allis A63B 23/0211 482/131
- 5,868,691 A * 2/1999 Vishnevsky A61F 5/026 128/845
- 5,871,485 A * 2/1999 Rao A61B 17/746 606/65
- D407,474 S * 3/1999 Sage D23/314
- 6,360,901 B1 * 3/2002 Parham A47F 7/285 211/162
- 6,799,569 B2 * 10/2004 Danielsson A61B 6/0421 128/97.1
- D500,138 S * 12/2004 Urban D24/190
- D513,438 S * 1/2006 McNeice D24/188
- D523,961 S * 6/2006 Weber D24/190
- D647,152 S * 10/2011 Sibley D21/679
- D685,484 S * 7/2013 Brambilla D24/190
- 8,480,543 B1 * 7/2013 Leier A63B 23/025 482/51
- 8,840,528 B2 * 9/2014 Zylstra A63B 21/0442 482/10
- 9,498,675 B2 * 11/2016 Walworth A63B 23/025

(Continued)

Primary Examiner — Jennifer L Watkins

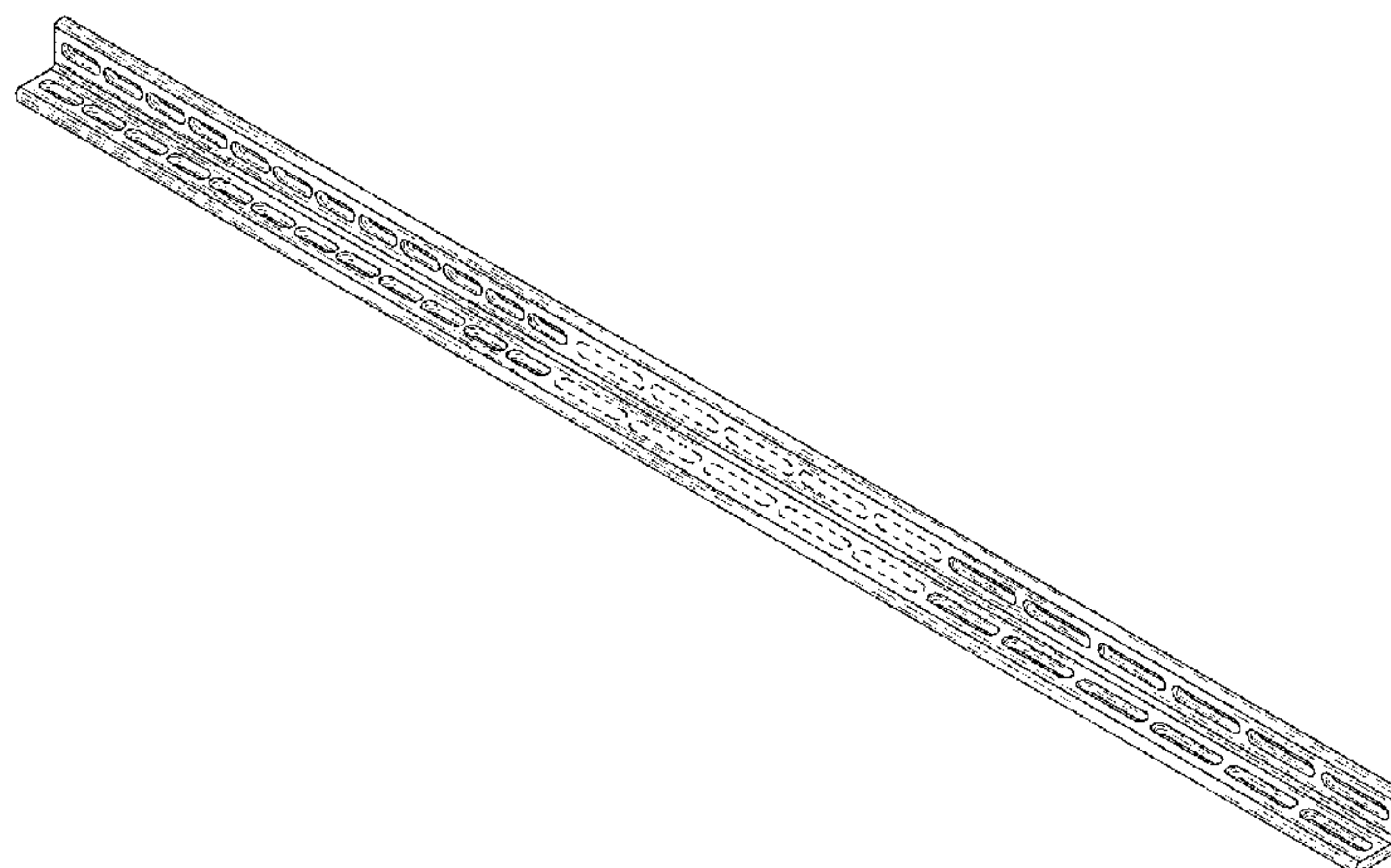
(57) **CLAIM**

The ornamental design for a posture device, as shown and described.

DESCRIPTION

FIG. 1 is a top perspective view of a posture device showing my new design;
 FIG. 2 is a bottom perspective view thereof;
 FIG. 3 is a front view thereof;
 FIG. 4 is a back view thereof;
 FIG. 5 is a top view thereof;
 FIG. 6 is a bottom view thereof;
 FIG. 7 is a right view thereof; and,
 FIG. 8 is a left view thereof.
 The broken lines showing of orifices in FIG. 1-6 are included for the purpose of showing environmental structure and forms no part of the claimed design.

1 Claim, 8 Drawing Sheets



(56)

References Cited

U.S. PATENT DOCUMENTS

10,118,526	B1 *	11/2018	Fan	B60N 2/882
D845,492	S *	4/2019	Sudell	D24/190
D845,493	S *	4/2019	Sudell	D24/190
D845,494	S *	4/2019	Sudell	D24/190
10,271,660	B2 *	4/2019	Gunura	A47C 9/025
D851,263	S *	6/2019	Thompson	D24/190

* cited by examiner

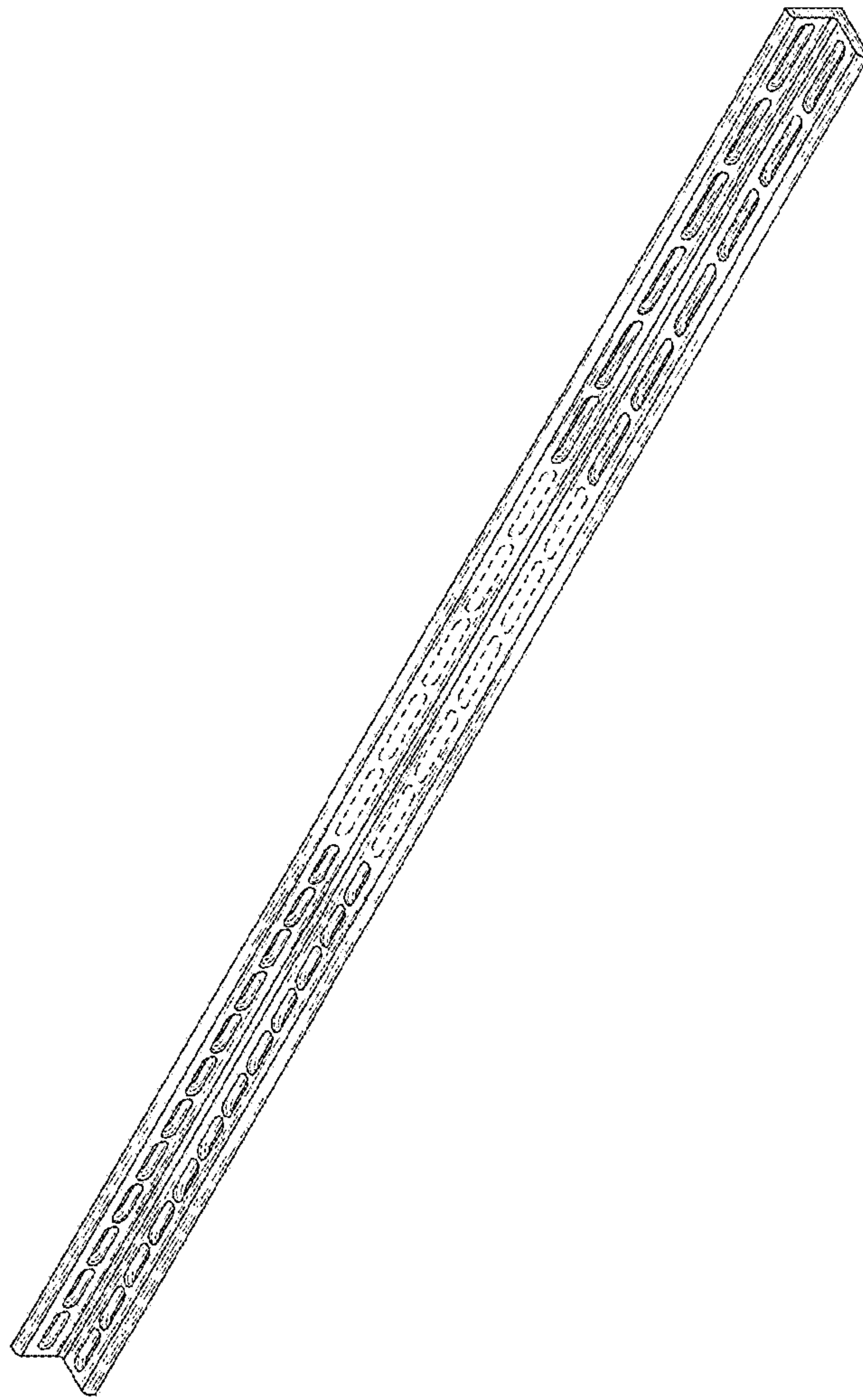


FIG. 1

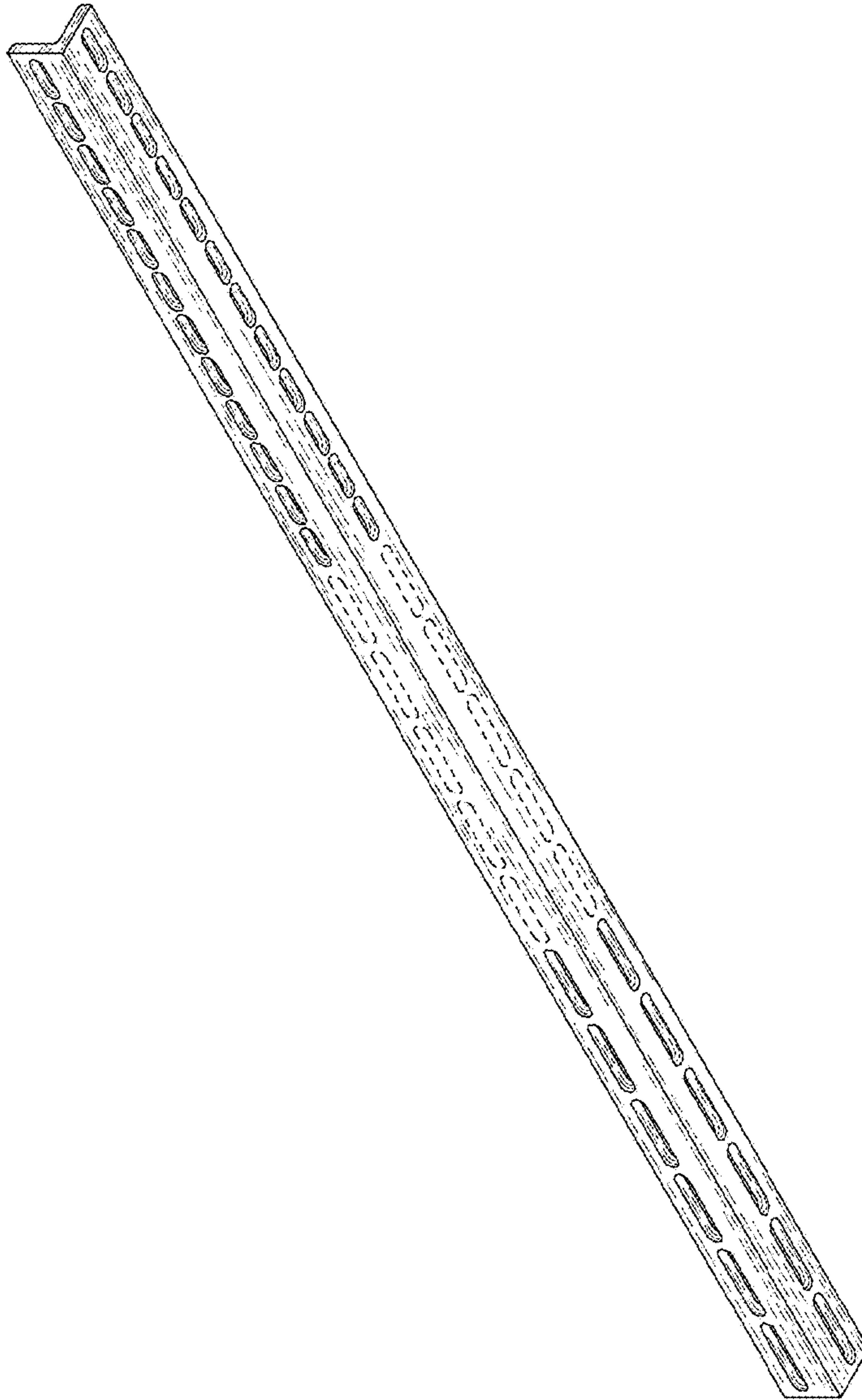


FIG. 2



FIG. 3

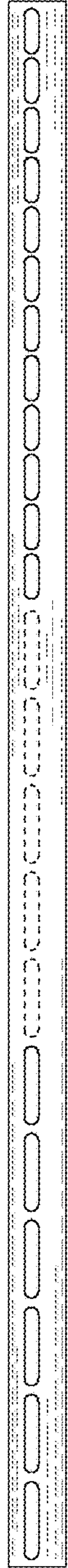


FIG. 4

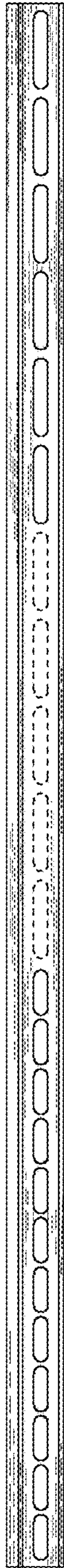


FIG. 5

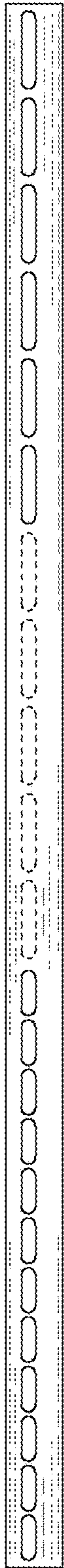


FIG. 6

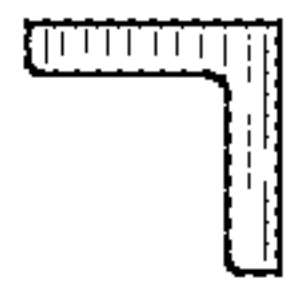


FIG. 7

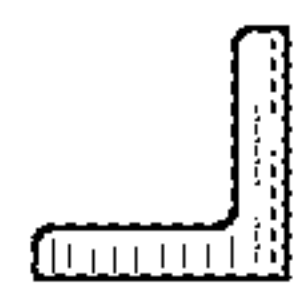


FIG. 8