



US00D868263S

(12) **United States Design Patent** (10) **Patent No.:** **US D868,263 S**
Verma et al. (45) **Date of Patent:** **** Nov. 26, 2019**

(54) **HUMIDIFIER RESERVOIR FOR POSITIVE AIRWAY PRESSURE DELIVERY CONSOLE**

(56) **References Cited**

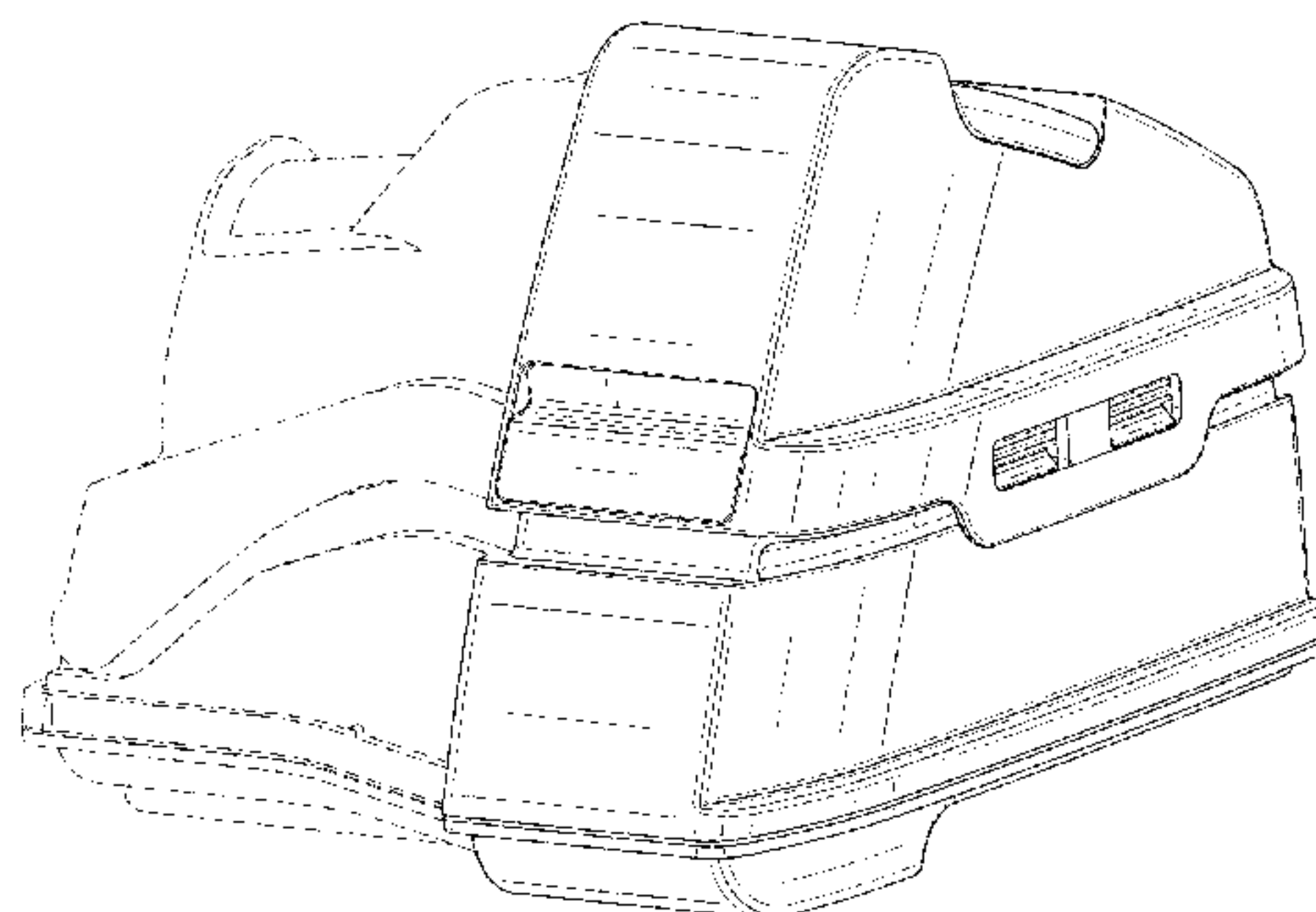
U.S. PATENT DOCUMENTS

(71) Applicant: **ResMed Pty Ltd**, Bella Vista, New South Wales (AU)
(72) Inventors: **Hargopal Verma**, Sydney (AU); **Andrew Roderick Bath**, Sydney (AU); **Justin John Formica**, Sydney (AU); **Matthew Rolf Harrington**, Gosford (AU); **Joseph Samuel Ormrod**, Sydney (AU)
(73) Assignee: **ResMed Pty Ltd**, Bella Vista (AU)
(**) Term: **15 Years**
(21) Appl. No.: **29/569,630**
(22) Filed: **Jun. 29, 2016**

2,073,335	A	3/1937	Karl	
2,516,864	A	8/1950	Gilmore	
2,524,522	A	10/1950	Gilmore	
2,954,802	A	10/1960	Duff	
3,163,707	A	12/1964	Darling	
D217,550	S	5/1970	Campbell	
3,908,952	A *	9/1975	Von Alven	A61M 5/1417 215/399
D280,765	S	9/1985	Alvino	
4,817,598	A *	4/1989	LaBombard	A61M 16/0465 128/207.14
4,823,784	A *	4/1989	Bordoni	A61M 15/02 128/200.14
D302,040	S	7/1989	Lambert	
5,074,297	A *	12/1991	Venegas	A61M 16/06 128/204.18
5,181,508	A *	1/1993	Poole, Jr.	A61M 16/0463 128/203.12
5,269,296	A *	12/1993	Landis	A61M 16/0666 128/204.18
5,368,016	A *	11/1994	Henry	A61M 15/009 128/200.23
D360,027	S	7/1995	Psaros	
D378,128	S	2/1997	Rozeck et al.	
D421,298	S	2/2000	Kenyon et al.	
D436,401	S	1/2001	Remes et al.	
D439,326	S	3/2001	Hecker	
D464,724	S	10/2002	Lynch et al.	
D467,335	S	12/2002	Lithgow et al.	
D473,941	S	4/2003	Cise	
D476,077	S	6/2003	Lithgow et al.	
6,578,571	B1 *	6/2003	Watt	A61M 15/00 128/200.14
D476,731	S	7/2003	Cise	
6,644,305	B2 *	11/2003	MacRae	A61M 15/0086 128/200.14
D486,909	S	2/2004	Cise	
6,722,904	B2	4/2004	Linhart	
D493,520	S	7/2004	Bertinetti et al.	
D493,884	S	8/2004	Virr et al.	
D497,203	S	10/2004	Lithgow et al.	
D500,847	S	1/2005	Manke et al.	
D504,945	S	5/2005	Van Brunt et al.	
D544,598	S	6/2007	Lithgow et al.	
7,226,302	B2	6/2007	Walter	
7,237,770	B2	7/2007	Lipscombe et al.	
D550,349	S	9/2007	Lithgow et al.	
D560,795	S	1/2008	Lithgow et al.	

Related U.S. Application Data

(62) Division of application No. 29/547,349, filed on Dec. 3, 2015, now Pat. No. Des. 791,329, which is a division of application No. 29/534,540, filed on Jul. 29, 2015, now Pat. No. Des. 752,228, which is a division of application No. 29/482,541, filed on Feb. 19, 2014, now Pat. No. Des. 744,108.
(51) **LOC (12) Cl.** **24-02**
(52) **U.S. Cl.**
USPC **D24/164**
(58) **Field of Classification Search**
USPC D24/164, 110, 110.1, 127; 128/200.14, 128/200.23, 204.18, 207.14, 200.24; D23/235, 356; 215/399; D11/218
CPC A61M 5/1417; A61M 15/0086; A61M 15/00; A61M 15/009; A61M 16/0666; A61M 16/0463; A61M 16/06; A61M 15/02; A61M 16/0465; A61J 1/067
See application file for complete search history.



US D868,263 S

D561,881 S	2/2008	Huang	8,905,031 B2	12/2014	Barlow
D561,890 S	2/2008	Lithgow et al.	D725,134 S	3/2015	Boettcher
D561,891 S	2/2008	Lithgow et al.	D729,936 S	5/2015	Reback
D570,473 S	6/2008	Hamaguchi et al.	D731,538 S	6/2015	Lee
D572,355 S	7/2008	Gao	D733,733 S	7/2015	Bae
D578,204 S	10/2008	Lithgow et al.	D734,356 S	7/2015	Xiong
D580,060 S	11/2008	Adams	D735,865 S	8/2015	Nishimura
D580,062 S *	11/2008	Adams D24/164	D736,248 S	8/2015	Chen
D582,554 S *	12/2008	Adams D24/164	D736,371 S	8/2015	Row
D583,059 S *	12/2008	Adams D24/164	D736,818 S	8/2015	Trabona
D585,131 S	1/2009	Trevor-Wilson et al.	D738,488 S *	9/2015	Formica D24/110
D585,540 S	1/2009	Lithgow et al.	D738,489 S *	9/2015	Formica D24/110
D590,494 S	4/2009	Lithgow et al.	D738,894 S	9/2015	Kim
D592,301 S	5/2009	Cork et al.	D739,864 S	9/2015	Kang
D594,102 S	6/2009	Israel et al.	D741,477 S	10/2015	Rogers
D597,186 S	7/2009	Campbell et al.	D741,894 S	10/2015	Drozd
D602,585 S	10/2009	Blackwell et al.	D741,912 S	10/2015	Gomez
D604,830 S	11/2009	Lithgow et al.	D742,508 S	11/2015	Row
D606,655 S	12/2009	Wilkinson et al.	D743,556 S *	11/2015	Bath D24/164
D607,107 S	12/2009	McCombs et al.	D743,842 S *	11/2015	La Guzza D11/218
D609,318 S	2/2010	Lam	D743,976 S	11/2015	Wilberding
D610,250 S	2/2010	Neuner	D744,108 S *	11/2015	Verma D24/164
D611,593 S	3/2010	Lithgow et al.	D744,501 S	12/2015	Wilberding
D612,480 S	3/2010	Cork et al.	D744,520 S	12/2015	Mclaughlin
D614,286 S	4/2010	Lithgow et al.	D745,016 S	12/2015	Lee
D620,102 S	7/2010	Klien et al.	D745,528 S	12/2015	Lee
D621,031 S	8/2010	Lithgow et al.	D745,542 S	12/2015	Kim
D626,642 S *	11/2010	Virr D23/356	D745,880 S	12/2015	Lima
D627,044 S *	11/2010	Virr D23/356	D745,883 S	12/2015	Anderson
D628,288 S	11/2010	Row et al.	D746,294 S	12/2015	Jung
D629,891 S	12/2010	Virr et al.	D746,311 S	12/2015	Ta
D629,892 S	12/2010	Hill et al.	D746,320 S	12/2015	Shardlow
D635,232 S *	3/2011	Virr D23/356	D746,831 S	1/2016	Chaudhri
D635,244 S	3/2011	Virr et al.	D746,850 S	1/2016	Steplyk
D635,245 S	3/2011	Virr et al.	D746,855 S	1/2016	Choi
D635,654 S *	4/2011	Virr D23/356	D746,858 S	1/2016	Vogt
D638,432 S	5/2011	Flik	D746,864 S	1/2016	Dellinger
D638,536 S	5/2011	Row et al.	D752,228 S *	3/2016	Verma D24/164
D638,537 S	5/2011	Virr et al.	D757,927 S	5/2016	Lubke
D638,933 S	5/2011	Hill et al.	D759,234 S *	6/2016	Bertinetti D24/127
D643,114 S *	8/2011	Virr D24/110	D760,258 S	6/2016	Bertinetti
D644,731 S	9/2011	Fangrow, Jr.	9,402,970 B2	8/2016	Virr
D650,479 S	12/2011	Row et al.	D771,799 S *	11/2016	Formica D24/110
D652,916 S	1/2012	Row et al.	D775,346 S *	12/2016	Bath D24/164
D652,917 S	1/2012	Hill et al.	D776,256 S *	1/2017	Formica D24/110
8,100,127 B2	1/2012	Worley	D791,329 S *	7/2017	Verma D24/164
D655,813 S	3/2012	Row et al.	D798,428 S	9/2017	Cork
D658,283 S	4/2012	Burz et al.	D806,859 S *	1/2018	Formica D24/110
D659,235 S *	5/2012	Bertinetti D24/110	D809,124 S	1/2018	Bertinetti
D663,412 S *	7/2012	Virr D24/110	D819,193 S *	5/2018	Bertinetti D24/110
D665,412 S	8/2012	Rai	2006/0106345 A1	5/2006	Flaker et al.
D671,209 S	11/2012	Row et al.	2007/0169776 A1	7/2007	Kepler et al.
D675,730 S	2/2013	Lithgow et al.	2007/0277828 A1	12/2007	Ho
8,375,945 B2	2/2013	Kepler et al.	2009/0025724 A1	1/2009	Herron, Jr.
D677,789 S	3/2013	Row et al.	2009/0123886 A1	5/2009	Vaska
D679,374 S *	4/2013	Virr D24/110	2009/0223514 A1	9/2009	Smith et al.
D680,125 S	4/2013	Chaudhri	2010/0116272 A1	5/2010	Row et al.
D680,636 S	4/2013	Ching	2010/0307502 A1	12/2010	Rummery
D682,406 S	5/2013	Yeom	2011/0017212 A1	1/2011	Kenyon et al.
D685,896 S	7/2013	Niedermann et al.	2011/0023874 A1	2/2011	Bath
8,486,043 B2 *	7/2013	Iyer A61J 1/067 128/200.24	2011/0100363 A1	5/2011	Barclay et al.
D688,788 S *	8/2013	Spruell D24/110.1	2011/0155132 A1	6/2011	Virr et al.
D693,005 S	11/2013	Nawata et al.	2011/0180068 A1	7/2011	Kenyon et al.
D695,388 S	12/2013	Lithgow	2012/0227738 A1	9/2012	Virr
D696,393 S	12/2013	Lu	2012/0285454 A1	11/2012	Nibu et al.
8,631,789 B2	1/2014	Virr et al.	2012/0304994 A1	12/2012	Kwok
D699,356 S	2/2014	Patil	2013/0008440 A1	1/2013	Maurer et al.
D702,353 S	4/2014	Fujimoto et al.	2013/0011823 A1	1/2013	Hassanein et al.
D703,311 S	4/2014	Daly	2013/0206140 A1	8/2013	Kepler et al.
D704,326 S *	5/2014	Formica D24/110.1	2013/0239961 A1	9/2013	Ross et al.
D707,334 S	6/2014	Hernandez	2013/0263854 A1	10/2013	Taylor et al.
D707,338 S	6/2014	Ediger et al.	2013/0280055 A1	10/2013	Daly et al.
D708,316 S *	7/2014	Bertinetti D24/110	2014/0130802 A1	5/2014	Virr et al.
D709,180 S *	7/2014	Rummery D24/110.1	2014/0202460 A1	7/2014	Bath et al.
D710,989 S *	8/2014	Bertinetti D24/110	2014/0208241 A1	7/2014	Charles
D716,419 S	10/2014	Hernandez	2014/0216459 A1	8/2014	Vos et al.
D716,452 S	10/2014	Hutchison	2014/0246025 A1	9/2014	Cragg et al.
D719,248 S	12/2014	Smith, Jr. et al.	2015/0273167 A1	10/2015	Feldhahn
			2015/0277733 A1	10/2015	Schwaibold

2015/0283350 A1 10/2015 Miller
 2015/0306326 A1 10/2015 Graham
 2015/0306332 A1 10/2015 Bafle
 2015/0335851 A1 11/2015 Cullen et al.
 2015/0359989 A1 12/2015 Potharaju et al.

FOREIGN PATENT DOCUMENTS

EM	001312953-0001	3/2012
EM	001312953-0002	3/2012
EM	001312953-0003	3/2012
EM	001312953-0004	3/2012
EM	001312953-0005	3/2012
EP	2 703 034 A2	8/2013
WO	WO 2011/056080 A1	5/2011
WO	WO 2012/160477 A1	11/2012

OTHER PUBLICATIONS

U.S. Appl. No. 29/456,458, filed May 2013, Formica et al.
 U.S. Appl. No. 29/456,477, filed May 2013, Formica et al.
 U.S. Appl. No. 29/480,971, filed Jan. 2014, Desvoyes et al.
 U.S. Appl. No. 29/482,519, filed Feb. 2014, Bath et al.
 U.S. Appl. No. 29/502,152, filed Sep. 2014, Bertinetti et al.
 U.S. Appl. No. 29/485,313, filed Mar. 2014, Formica et al.
 U.S. Appl. No. 29/492,344, filed May 2014, Bertinetti et al.
 U.S. Appl. No. 29/534,540, filed Jul. 2015, Verma et al.
 U.S. Appl. No. 61/838,971, filed Jun. 2013, Huby et al.
 U.S. Appl. No. 61/987,245, filed May 2014, Foote et al.
 Office Action dated Nov. 7, 2014 in Design U.S. Appl. No. 29/482,519 (5 pages).
 ResMed S9™ Series, No Other Sleep Therapy System Delivers, 2010 (12 pages).
 Philips Respironics, System One Sleep Therapy System, May 2012 (2 pages).
 Fisher & Paykel Healthcare, Icon Brochure, 2010 (2 pages).
 Fisher & Paykel Healthcare, Icon User Manual, Jan. 2010 (214 pages).
 U.S. Appl. No. 29/482,541, filed Feb. 2014, Verma et al.
 Office Action dated Dec. 4, 2014 in U.S. Appl. No. 29/456,477 (9 pages).
 Office Action dated Dec. 3, 2014 in U.S. Appl. No. 29/456,458 (7 pages).
 Office Action dated Jan. 20, 2016 in U.S. Appl. No. 29/515,282 (7 pages).
 U.S. Appl. No. 29/547,349, filed Dec. 2015, Verma et al.

U.S. Office Action dated Jul. 5, 2016 issued in U.S. Appl. No. 29/502,152 (15 pages).

* cited by examiner

Primary Examiner — Rhea Shields
 (74) *Attorney, Agent, or Firm* — Nixon & Vanderhye P.C.

(57) **CLAIM**

The ornamental design for a humidifier reservoir for positive airway pressure delivery console, as shown and described.

DESCRIPTION

FIG. 1 is a perspective view, from the front, left corner, of a humidifier reservoir for positive airway pressure delivery console showing an embodiment according to our new ornamental design;
 FIG. 2 is right side view thereof;
 FIG. 3 is a left side view thereof;
 FIG. 4 is a top view thereof;
 FIG. 5 is a bottom view thereof;
 FIG. 6 is a front view thereof;
 FIG. 7 is a rear view thereof;
 FIG. 8 is another perspective view thereof;
 FIG. 9 is a perspective view, from the front, left corner, of a humidifier reservoir for positive airway pressure delivery console showing an embodiment according to our new ornamental design;
 FIG. 10 is right side view thereof;
 FIG. 11 is a left side view thereof;
 FIG. 12 is a top view thereof;
 FIG. 13 is a bottom view thereof;
 FIG. 14 is a front view thereof;
 FIG. 15 is a rear view thereof; and,
 FIG. 16 is another perspective view thereof.
 In the drawings, the broken lines are for the purpose of illustrating environment only and form no part of the claimed design.

1 Claim, 12 Drawing Sheets

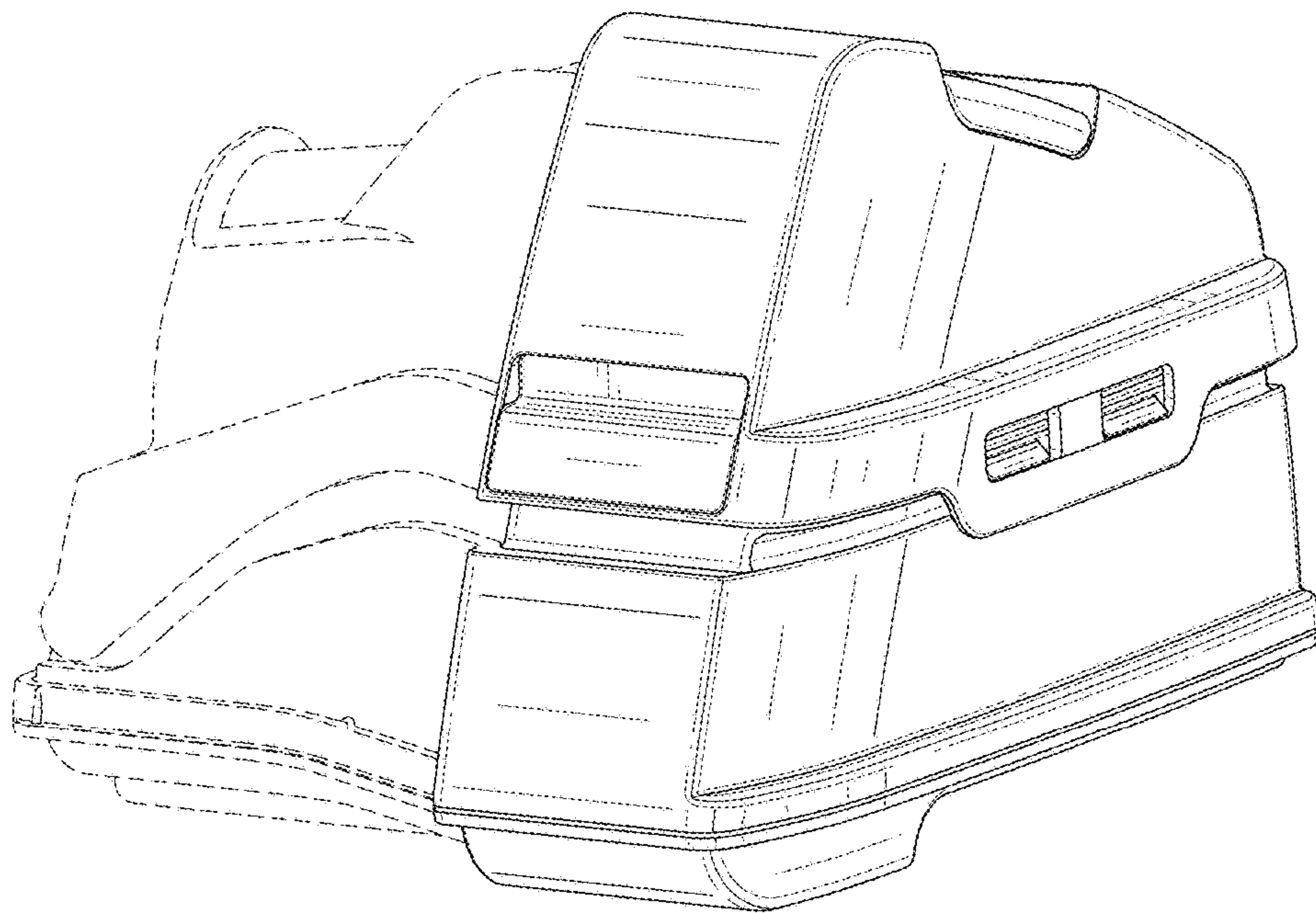


FIG. 1

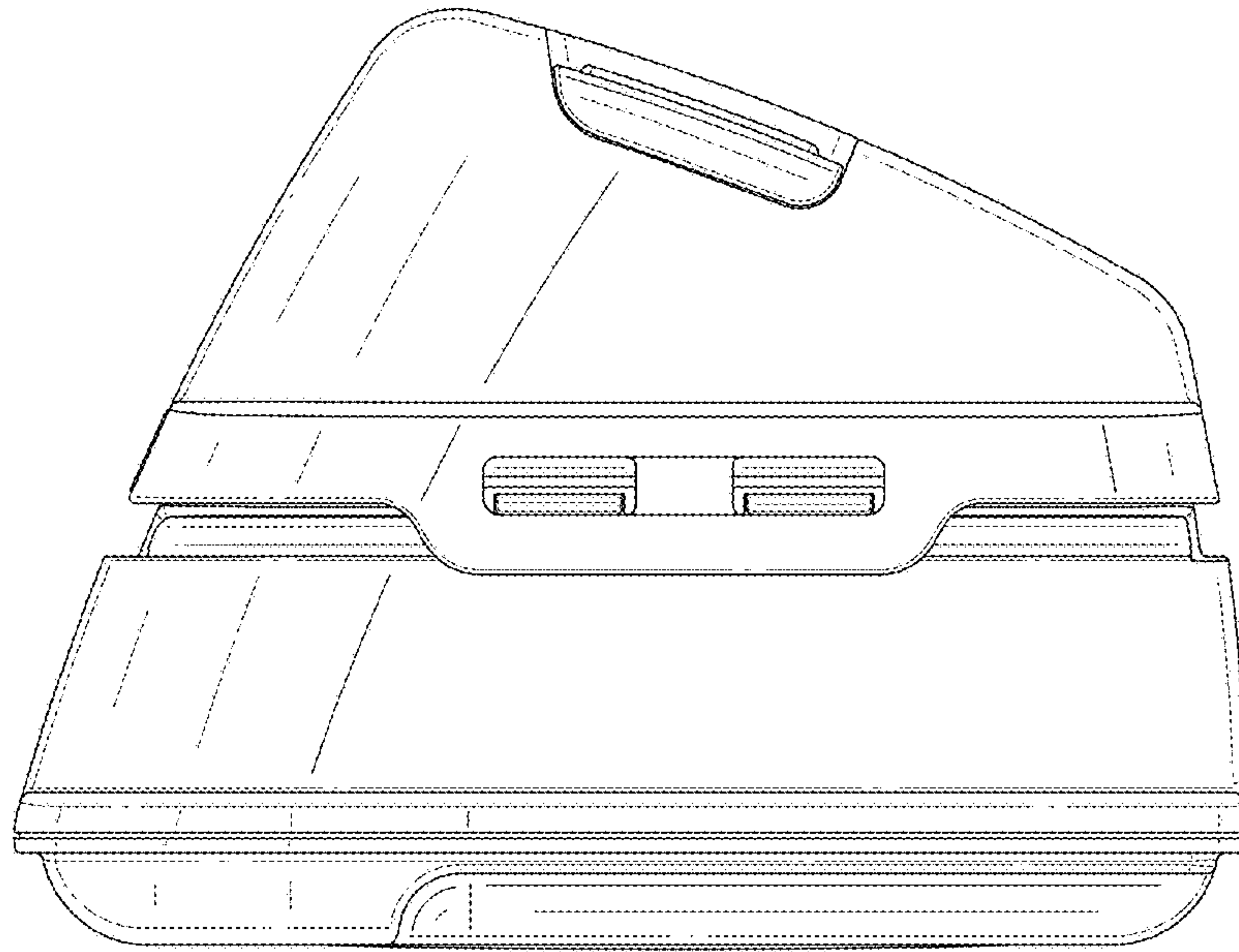


FIG. 2

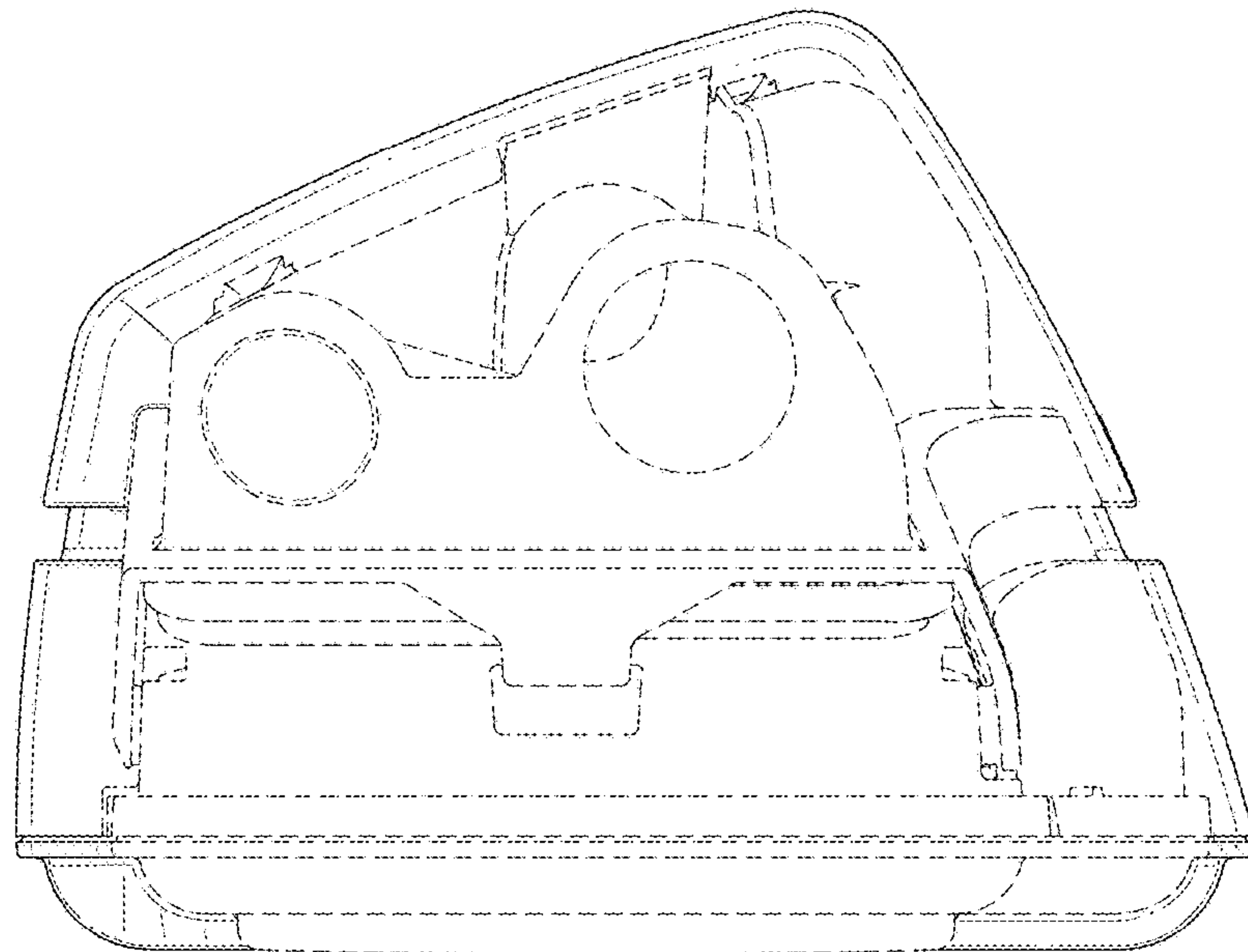


FIG. 3

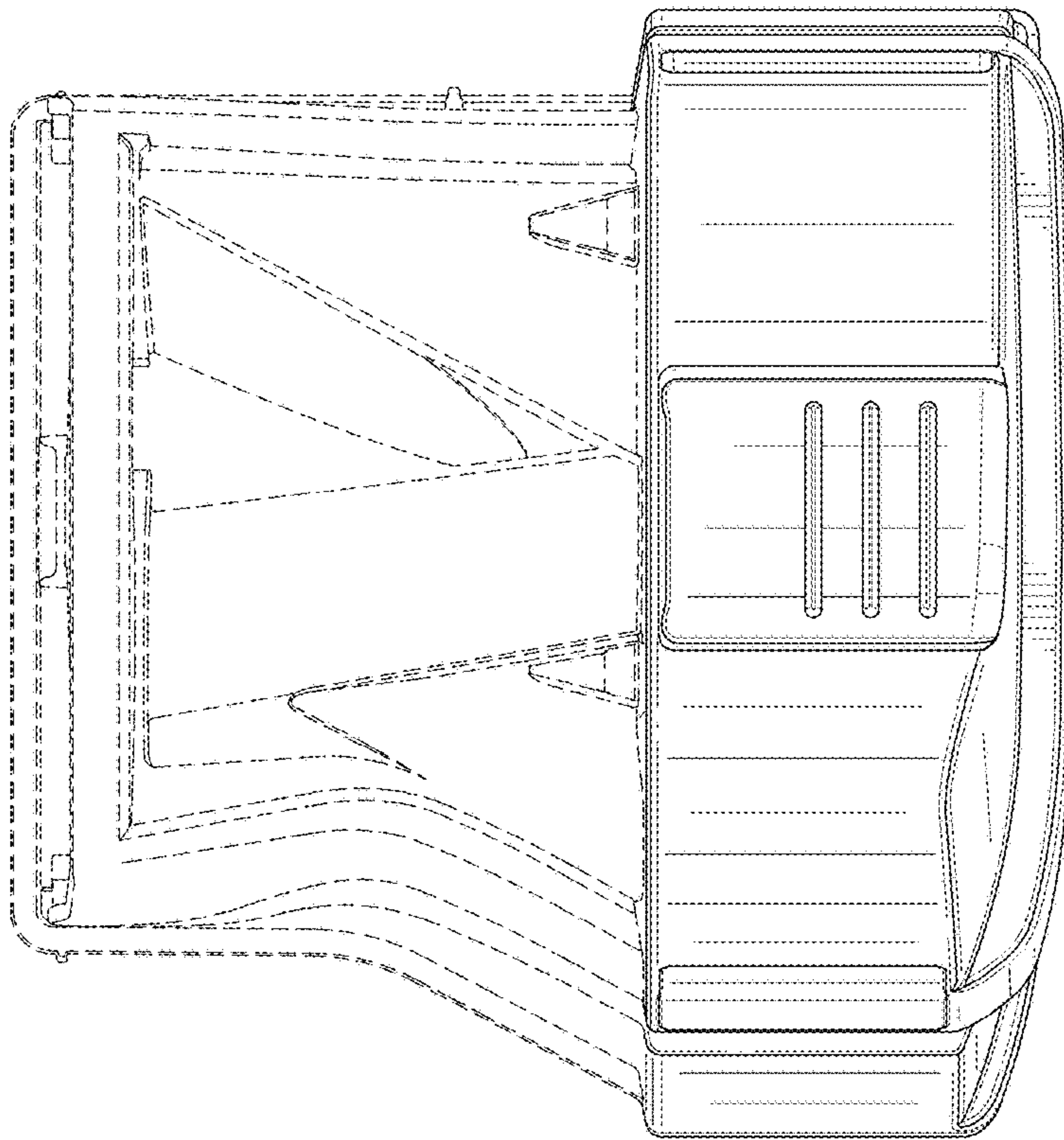


FIG. 4

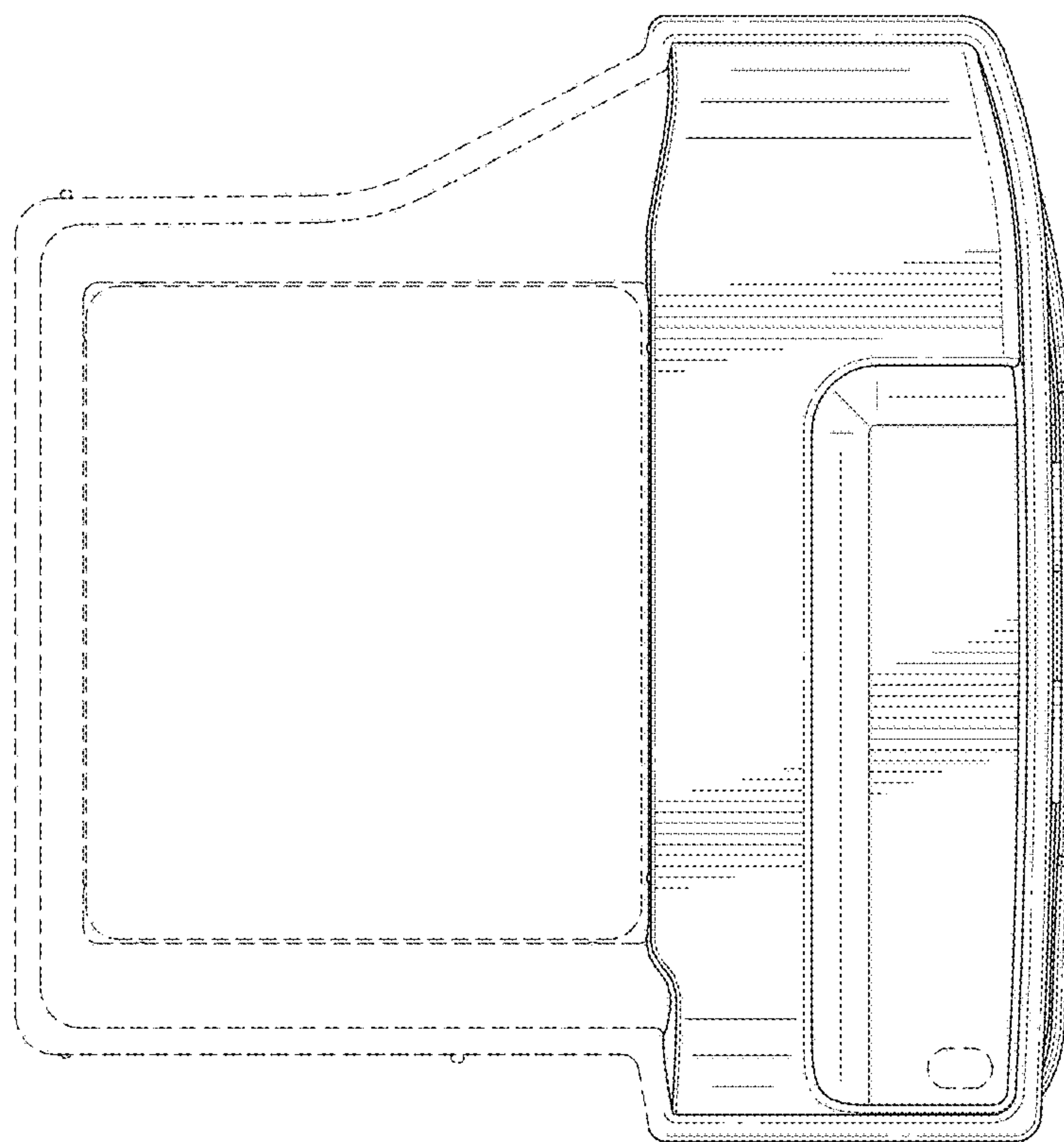


FIG. 5

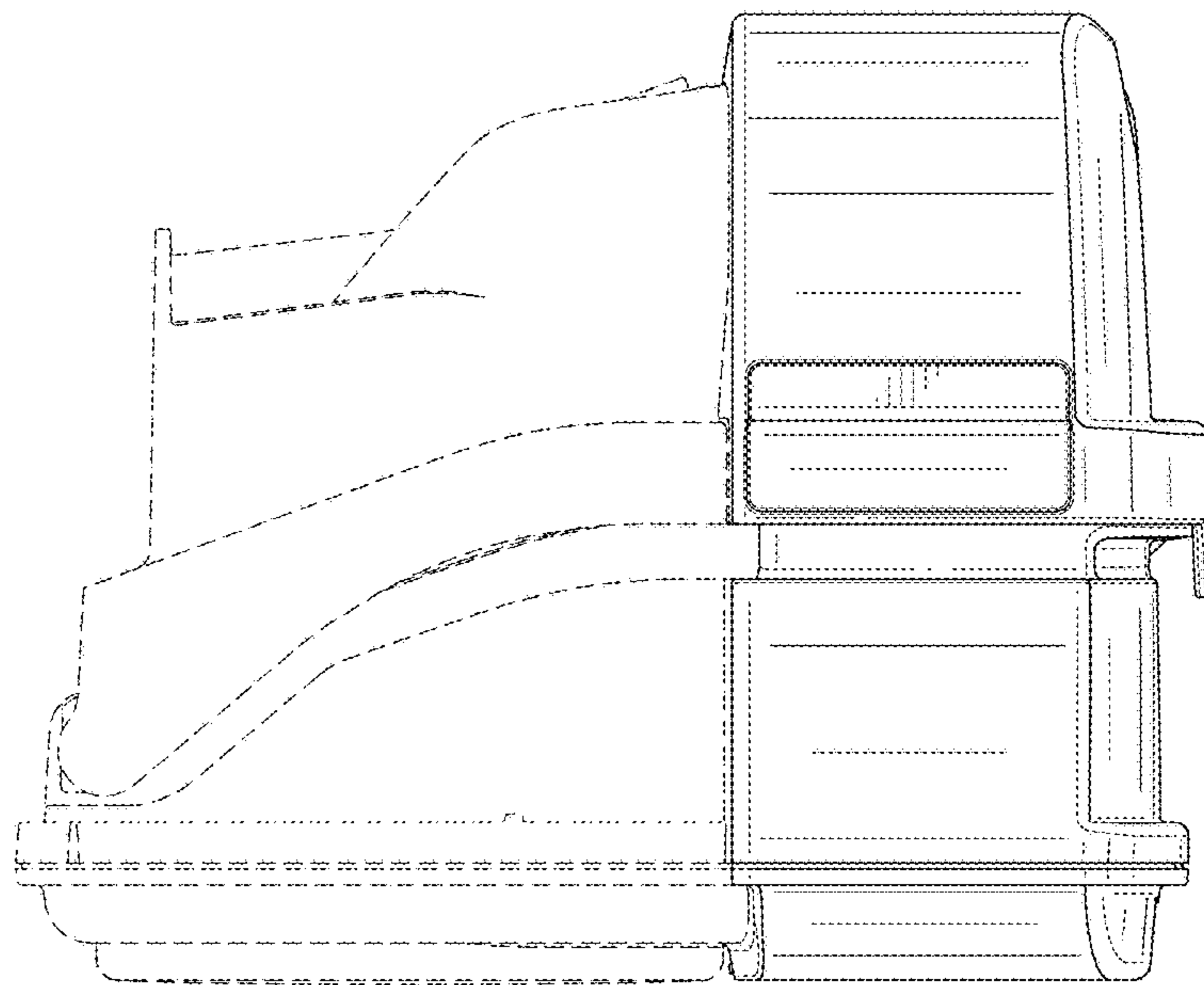


FIG. 6

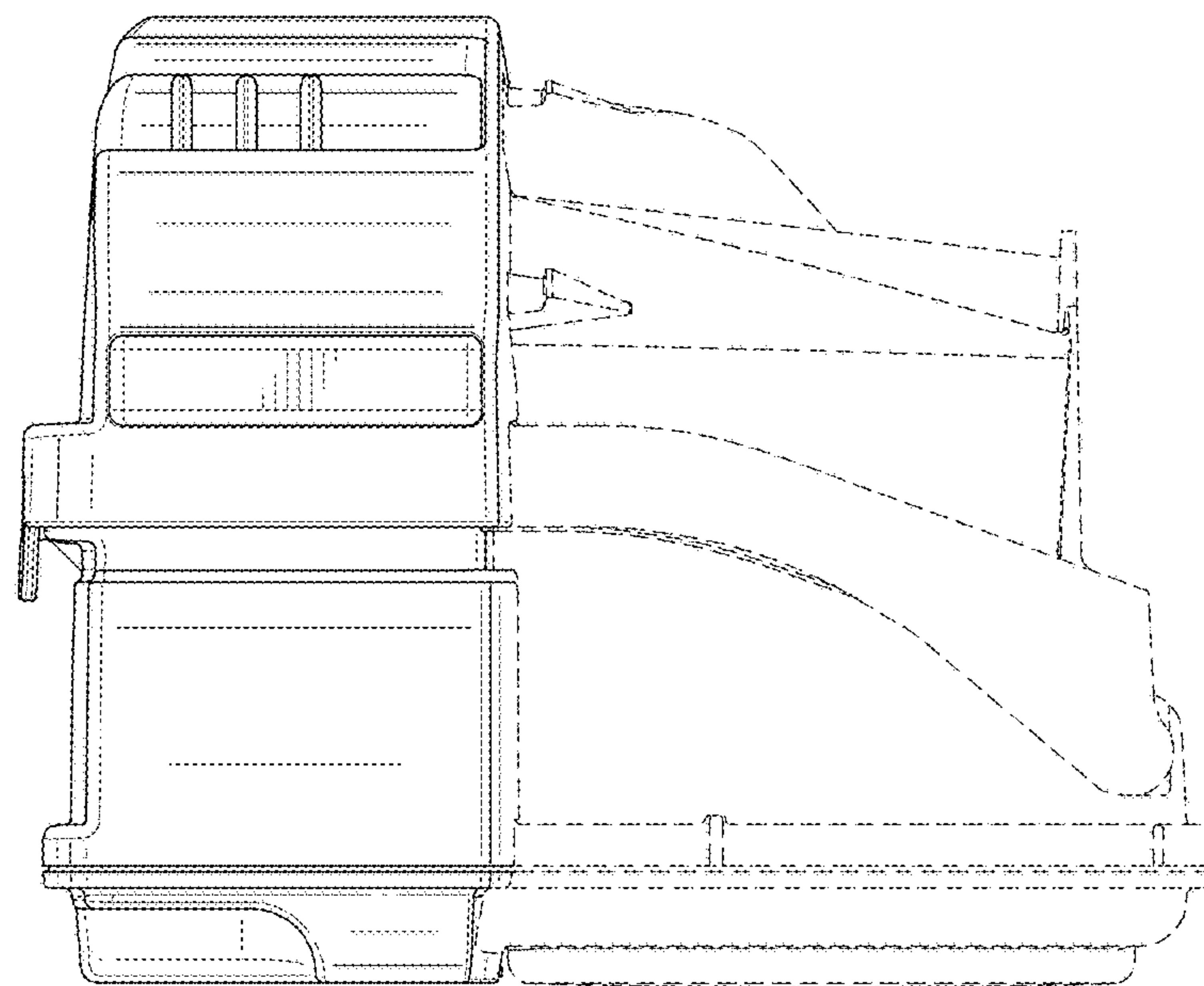


FIG. 7

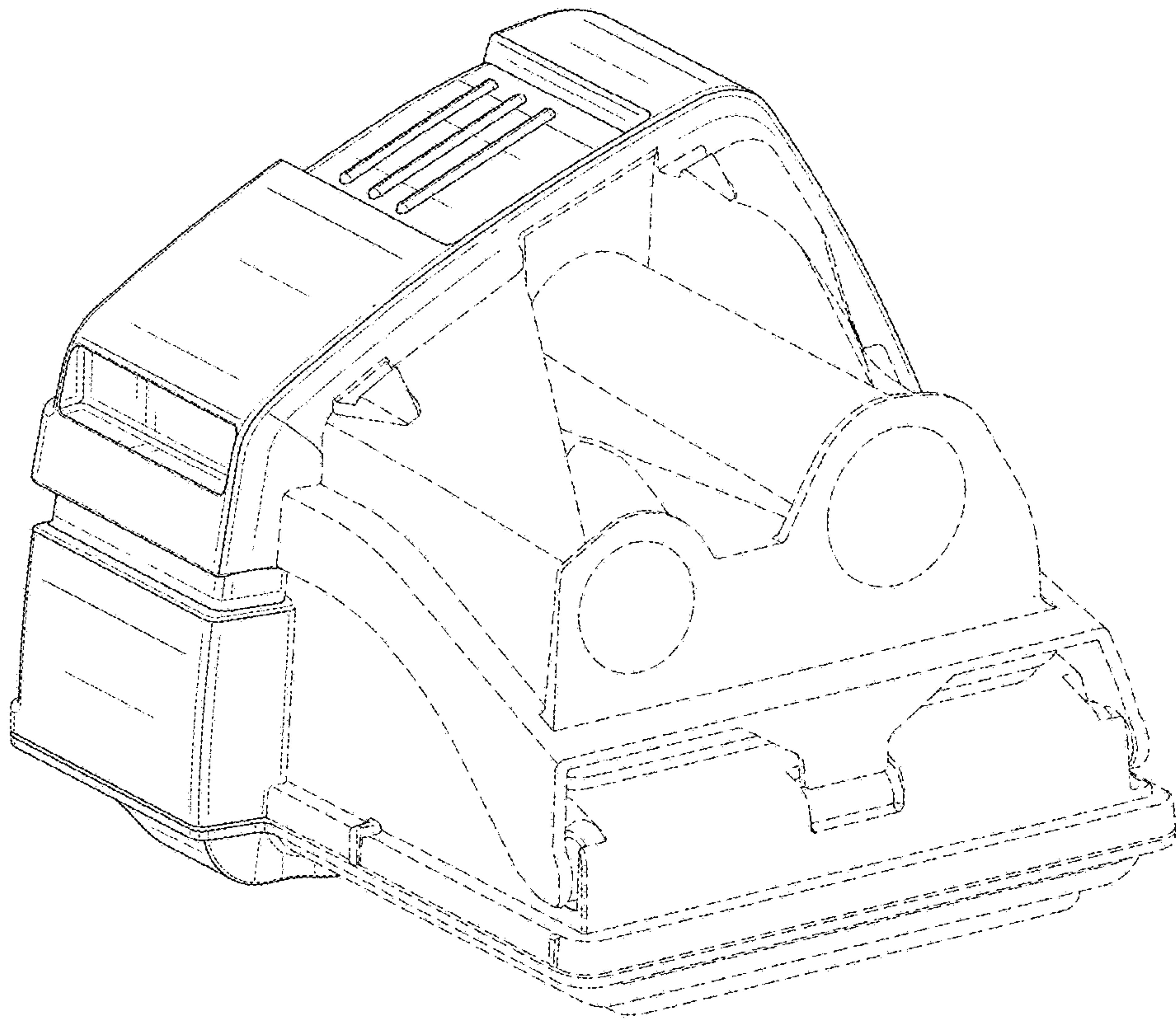


FIG. 8

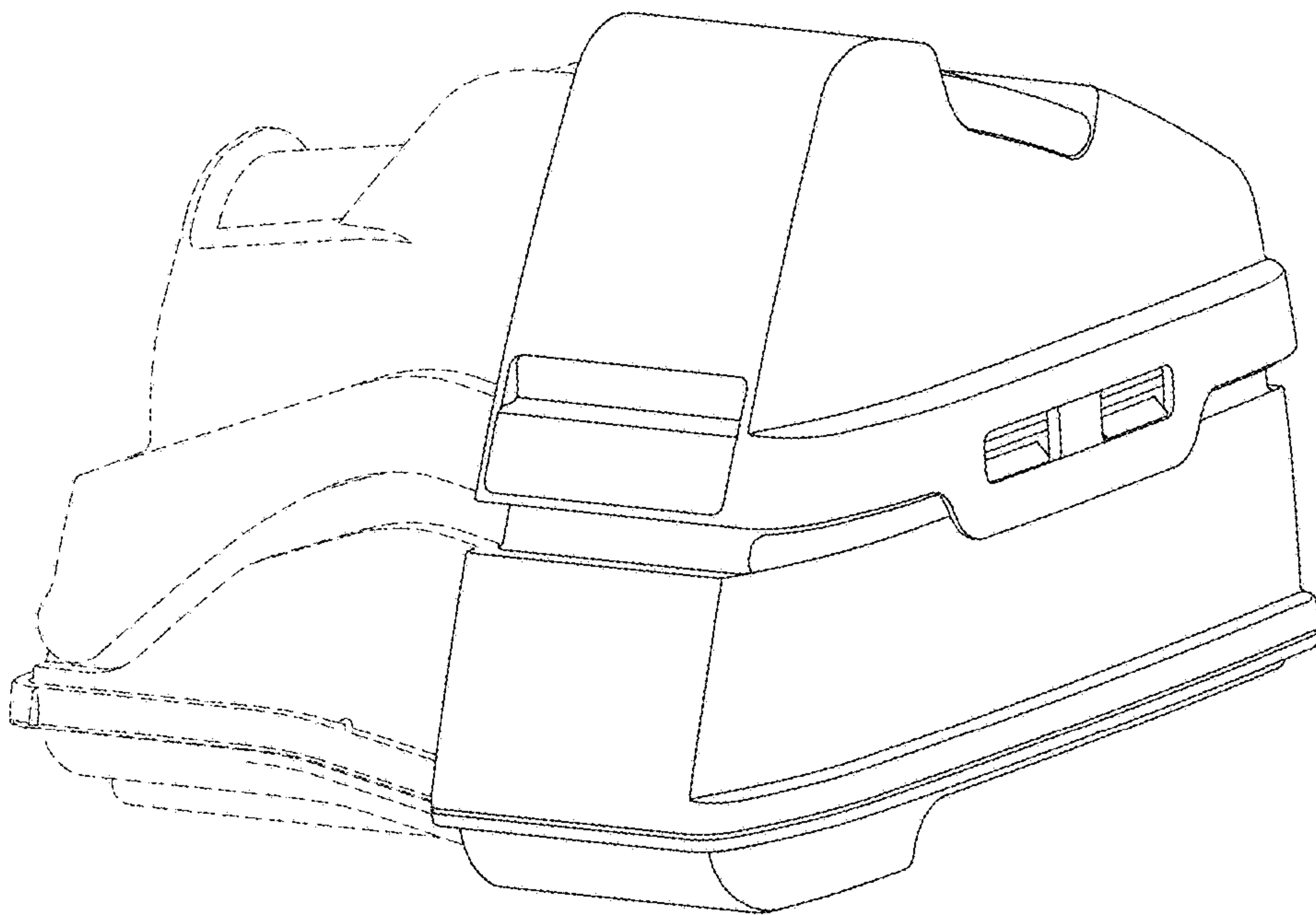


FIG. 9

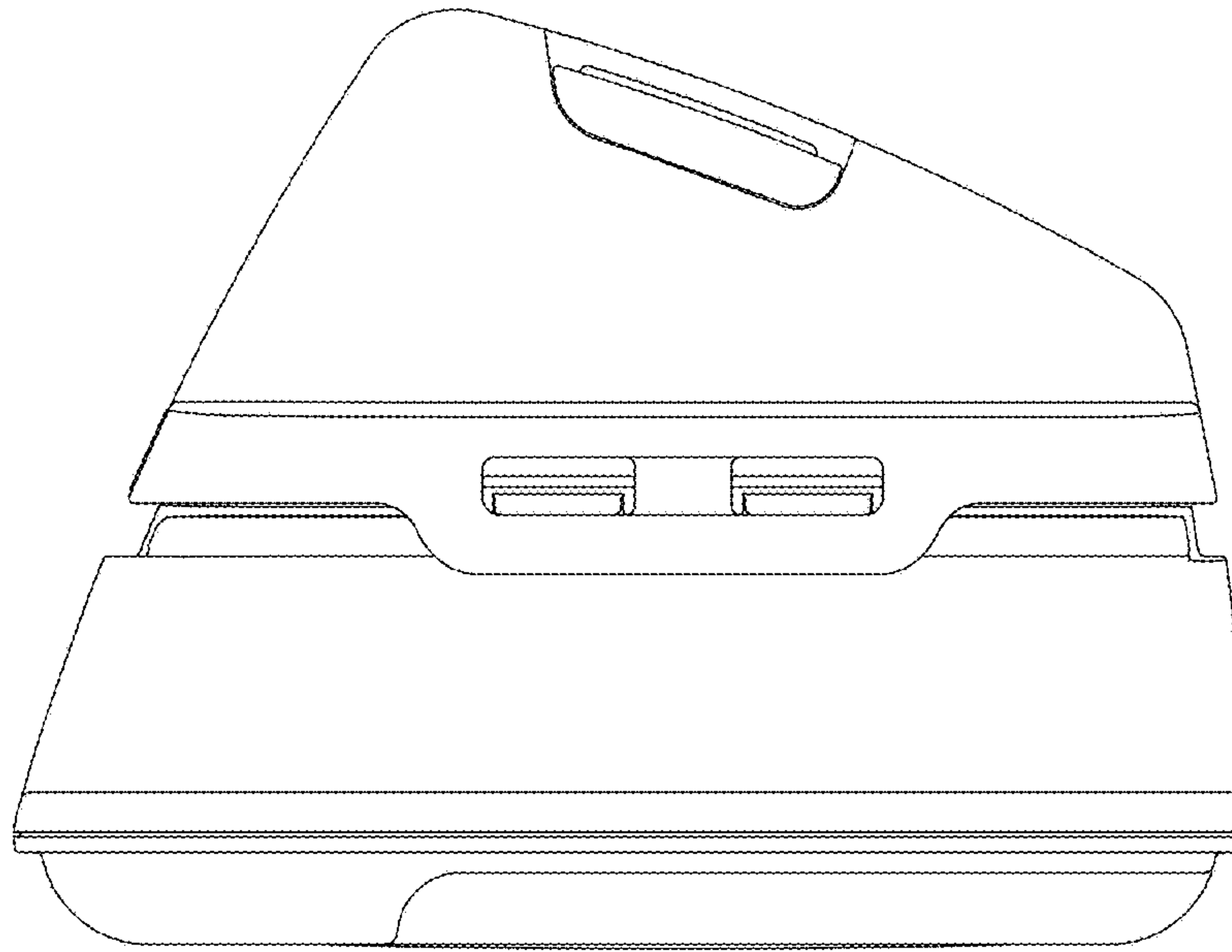


FIG. 10

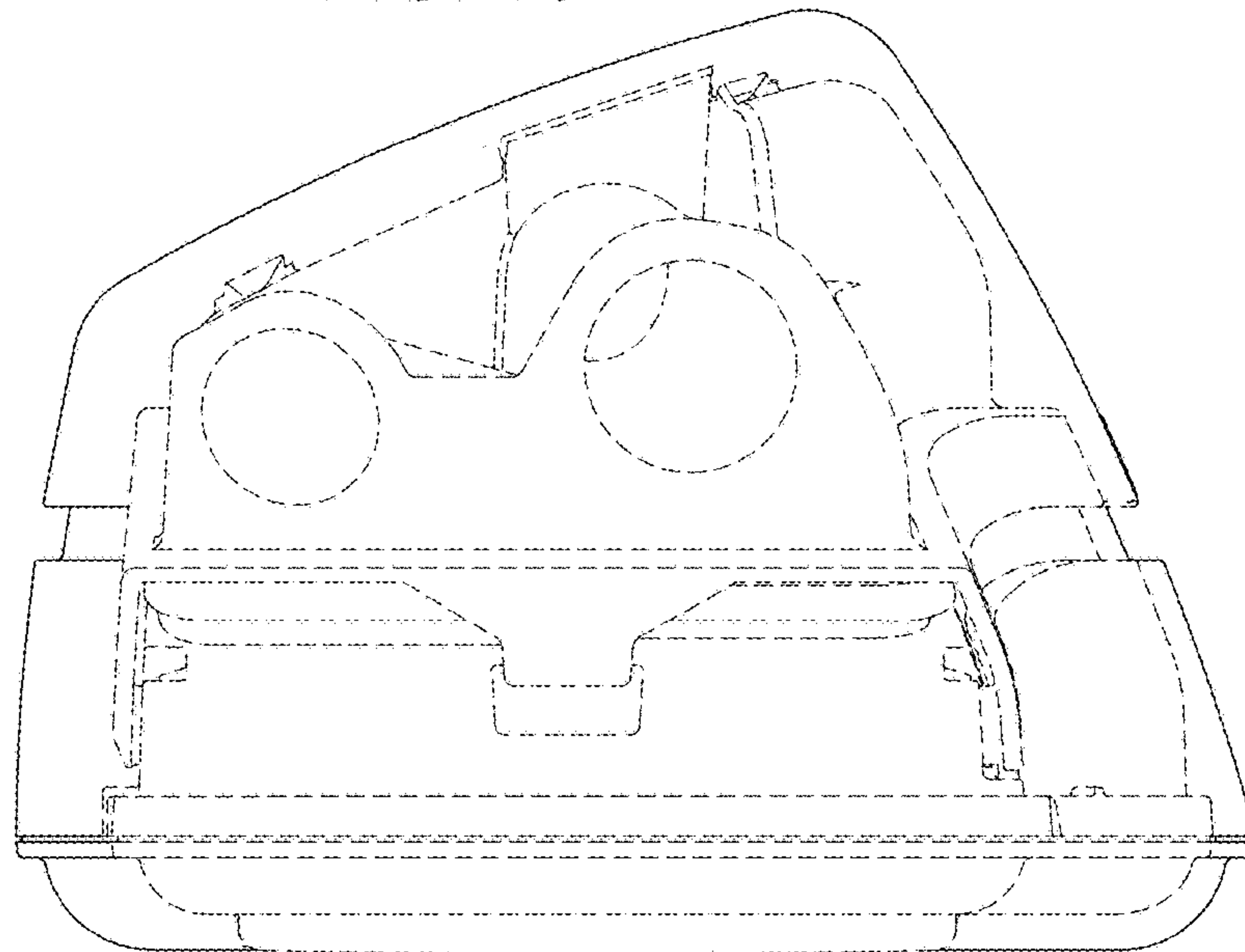


FIG. 11

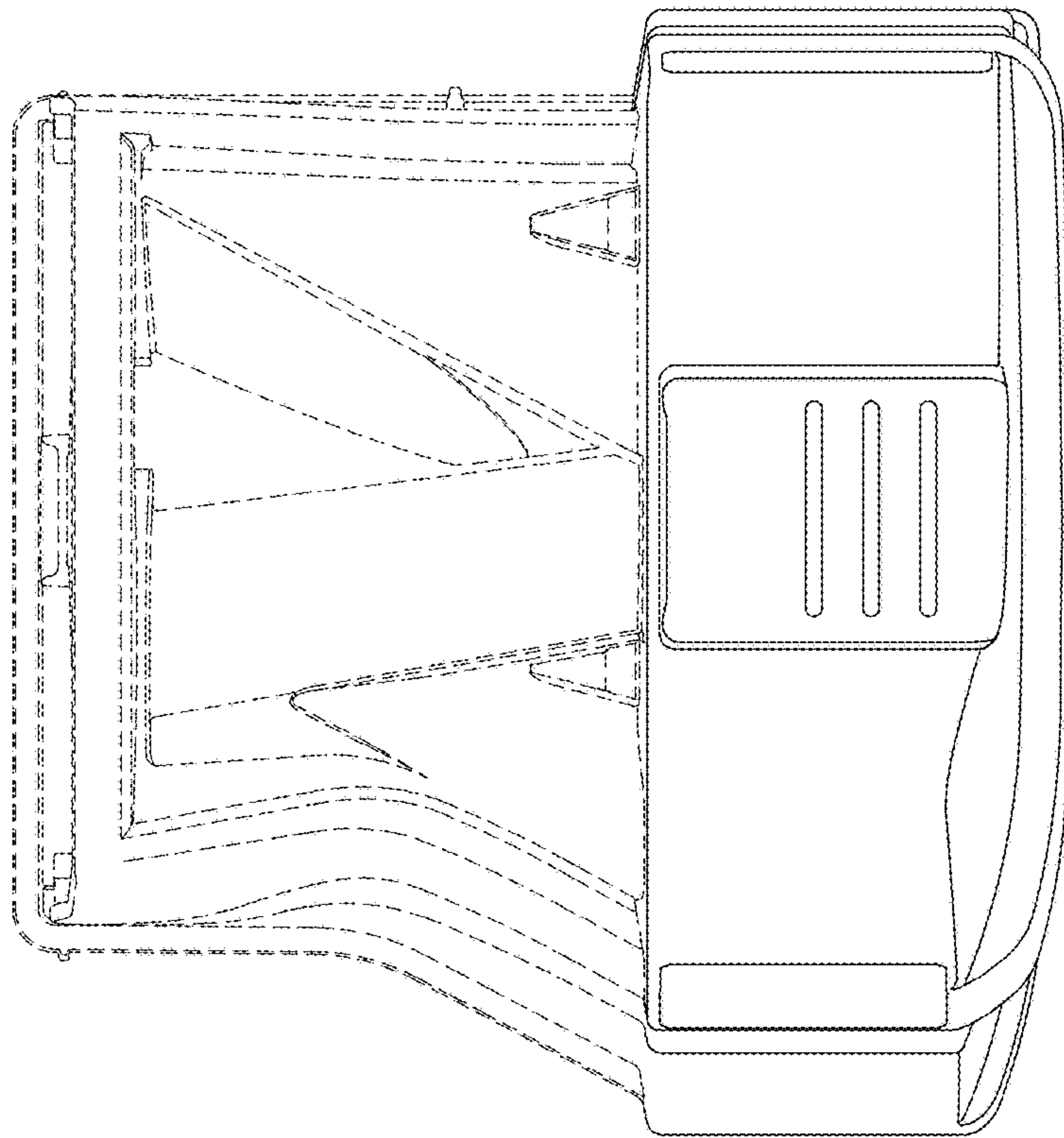


FIG. 12

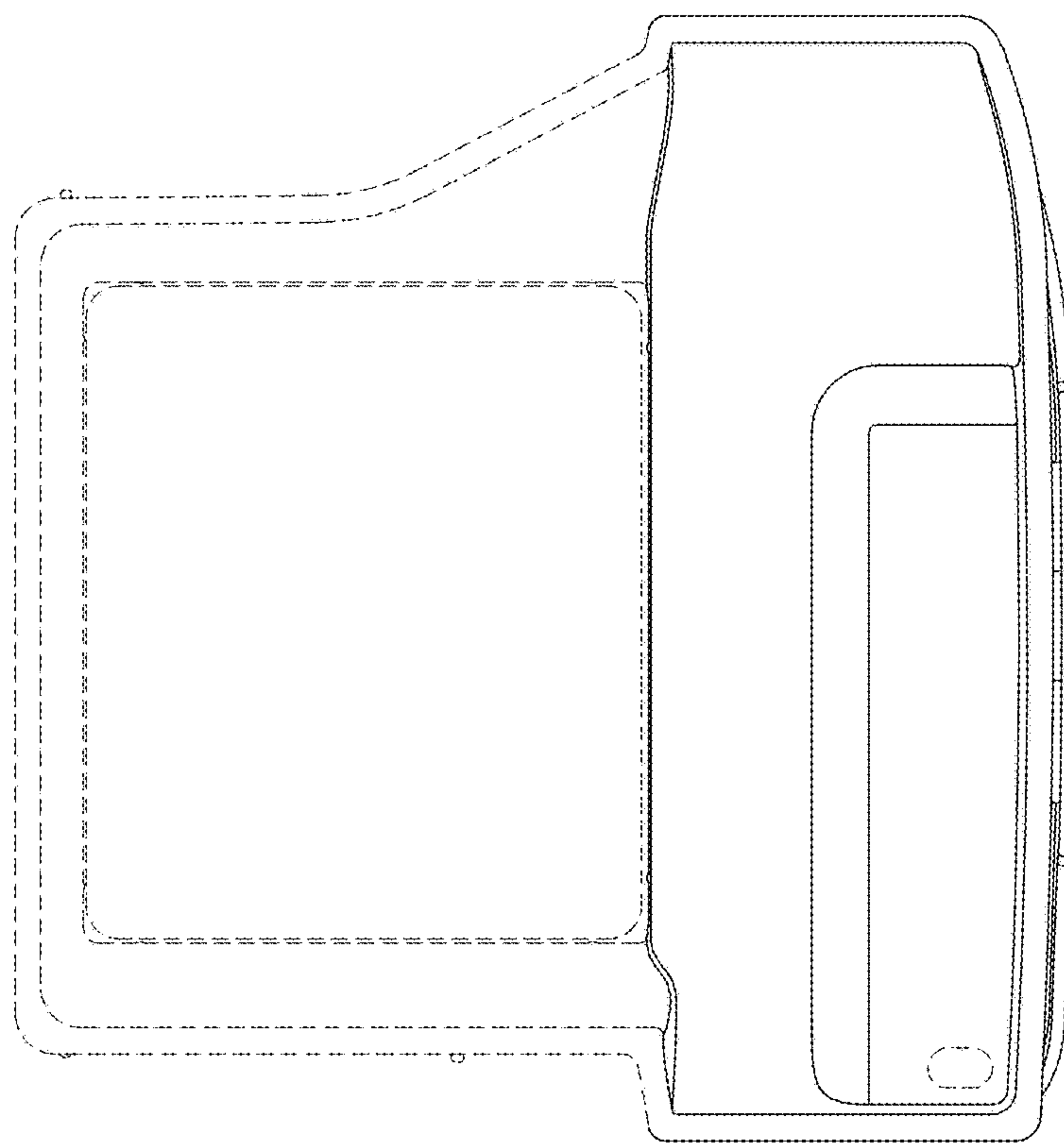


FIG. 13

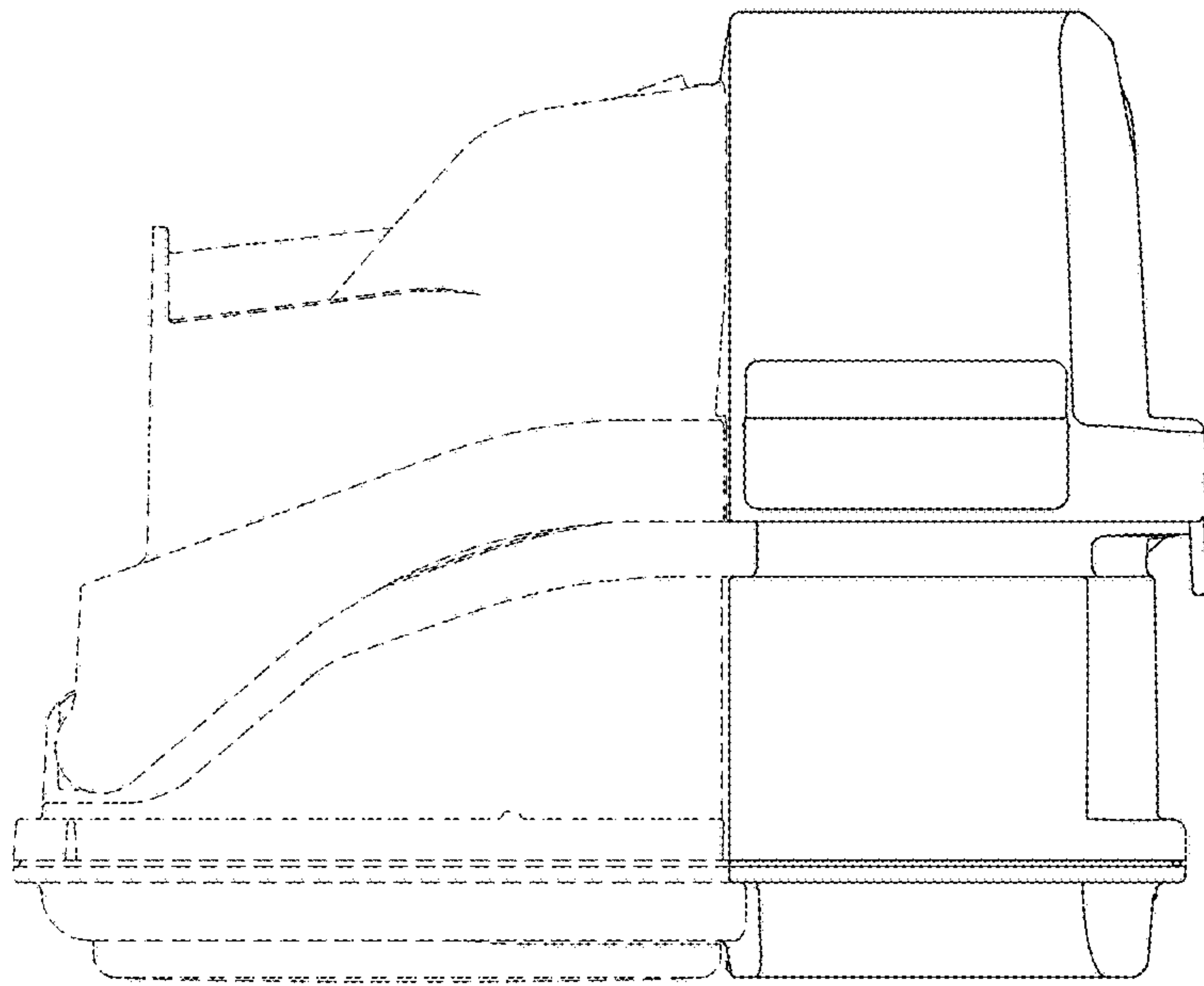


FIG. 14

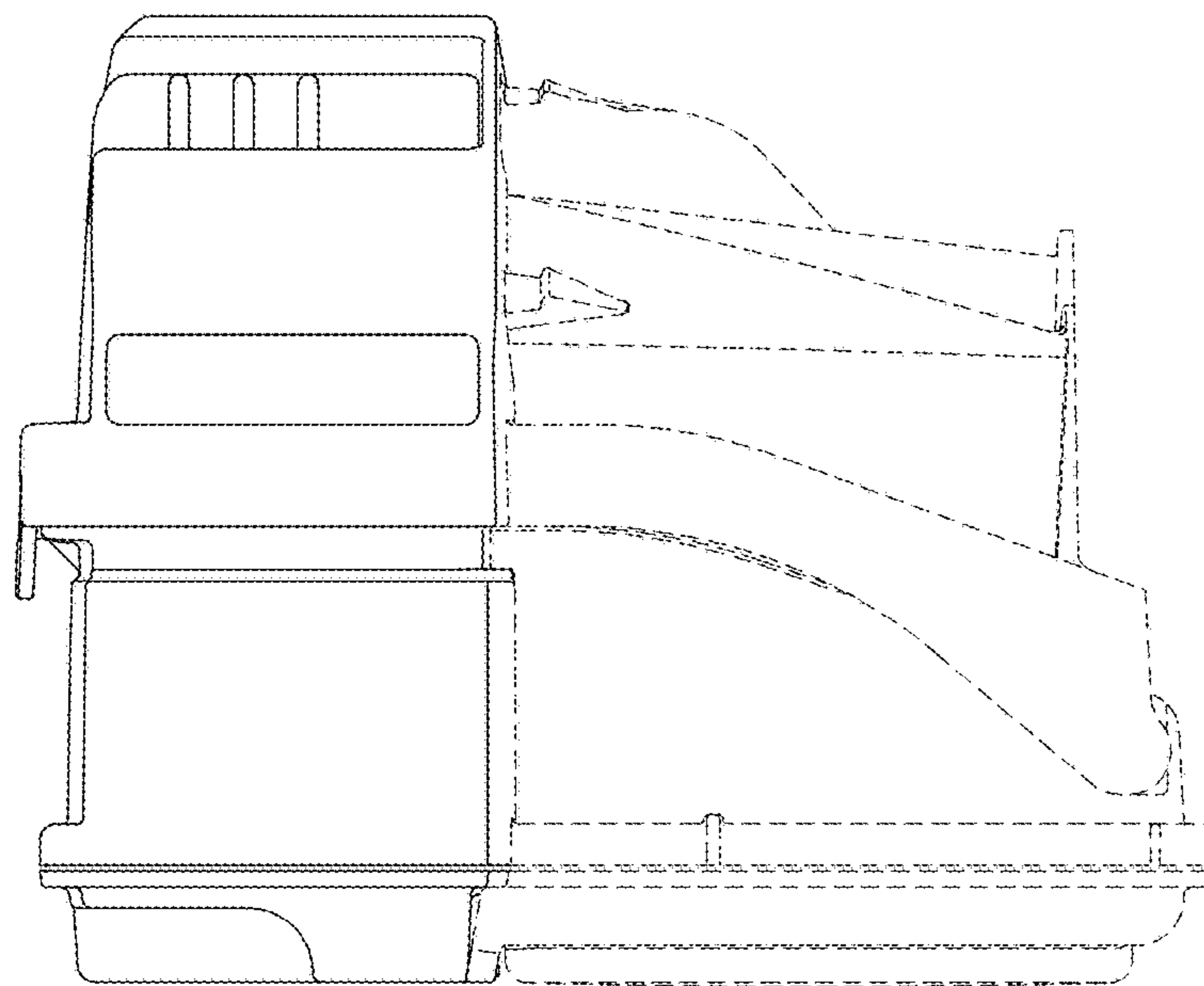


FIG. 15

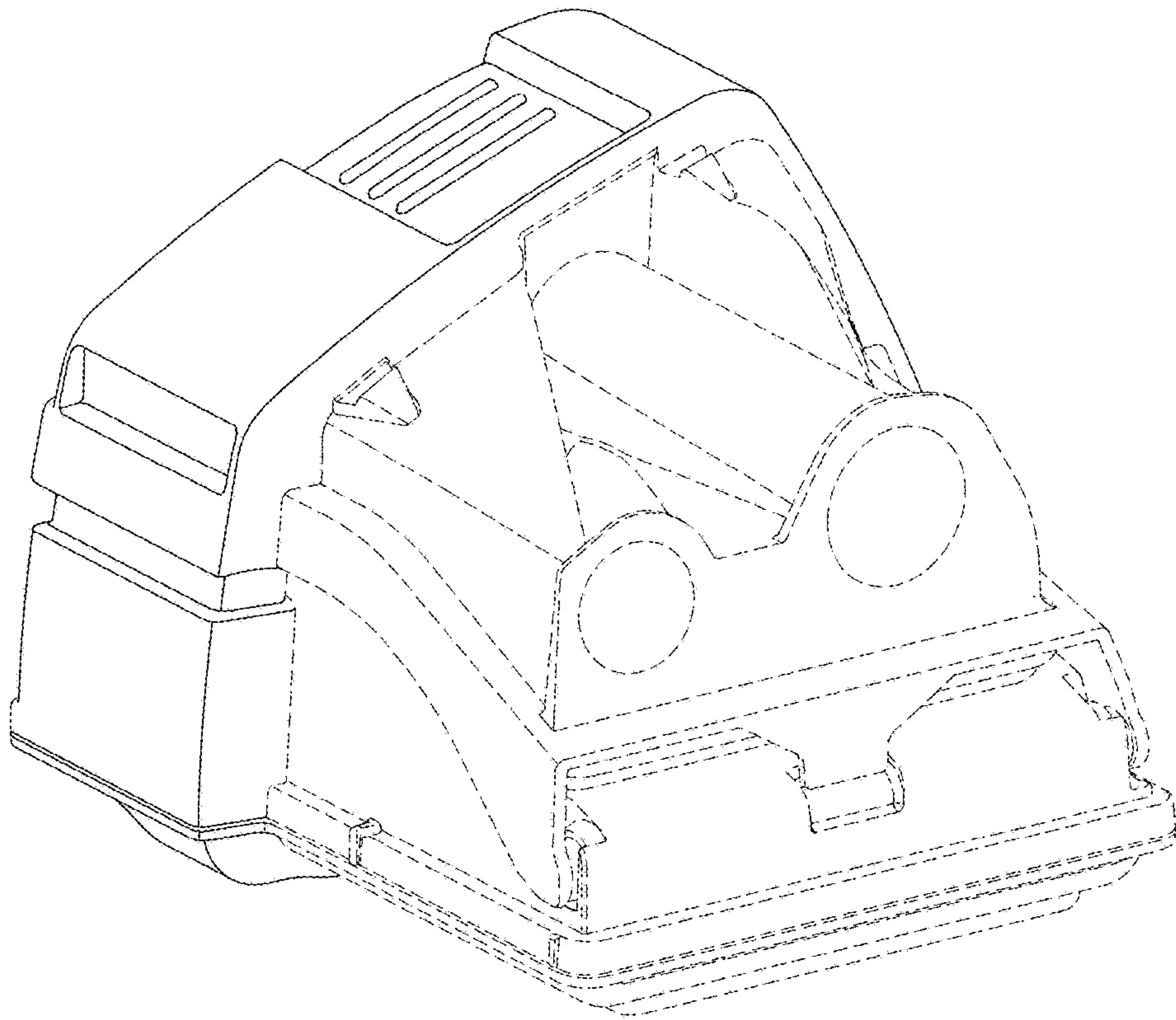


FIG. 16