



US00D868260S

(12) **United States Design Patent** (10) **Patent No.:** **US D868,260 S**
Achleitner et al. (45) **Date of Patent:** **** Nov. 26, 2019**

(54) **MEDICAL IMAGING SYSTEM**

(71) Applicant: **Siemens Healthcare GmbH**, Erlangen (DE)

(72) Inventors: **Roman Achleitner**, Nuremberg (DE);
Annke Osthues, Munich (DE)

(73) Assignee: **Siemens Healthcare GmbH**, Erlangen (DE)

(**) Term: **15 Years**

(21) Appl. No.: **29/633,224**

(22) Filed: **Jan. 12, 2018**

(30) **Foreign Application Priority Data**

Jul. 18, 2017 (EM) 004109254

(51) **LOC (12) Cl.** **24-01**

(52) **U.S. Cl.**
USPC **D24/158**

(58) **Field of Classification Search**
USPC D24/107, 158–161, 185, 186, 187, 231
CPC .. A61B 6/03; A61B 6/035; A61B 5/05; A61B
5/055; A61B 6/055; A61B 6/502; A61B
8/0825; A61B 8/0414; A61B 8/4416;
G06T 2207/30068

See application file for complete search history.

(56) **References Cited**

U.S. PATENT DOCUMENTS

6,609,826 B1 * 8/2003 Fujii A61B 6/12
378/197
D658,762 S * 5/2012 Yokoyama D24/158

D702,837 S * 4/2014 Dinse D24/158
D786,440 S * 5/2017 Boehner D24/158
D796,043 S * 8/2017 Boehner D24/158
2008/0123819 A1 * 5/2008 Jensen A61B 6/4405
378/198

* cited by examiner

Primary Examiner — Anhdao Doan

(74) *Attorney, Agent, or Firm* — Schiff Hardin LLP

(57) **CLAIM**

The ornamental design for a medical imaging system, as shown and described.

DESCRIPTION

FIG. 1 is a front elevational view of a medical imaging system showing our new design;
FIG. 2 is a back elevational view thereof;
FIG. 3 is a top plan view thereof;
FIG. 4 is a bottom plan view thereof;
FIG. 5 is a right side elevational view thereof;
FIG. 6 is a left side elevational view thereof; and,
FIG. 7 is a perspective view taken generally from the back, top, and right-hand side thereof.
The broken lines shown in the drawings represent portions of the medical imaging system that form no part of the claimed design.

1 Claim, 7 Drawing Sheets

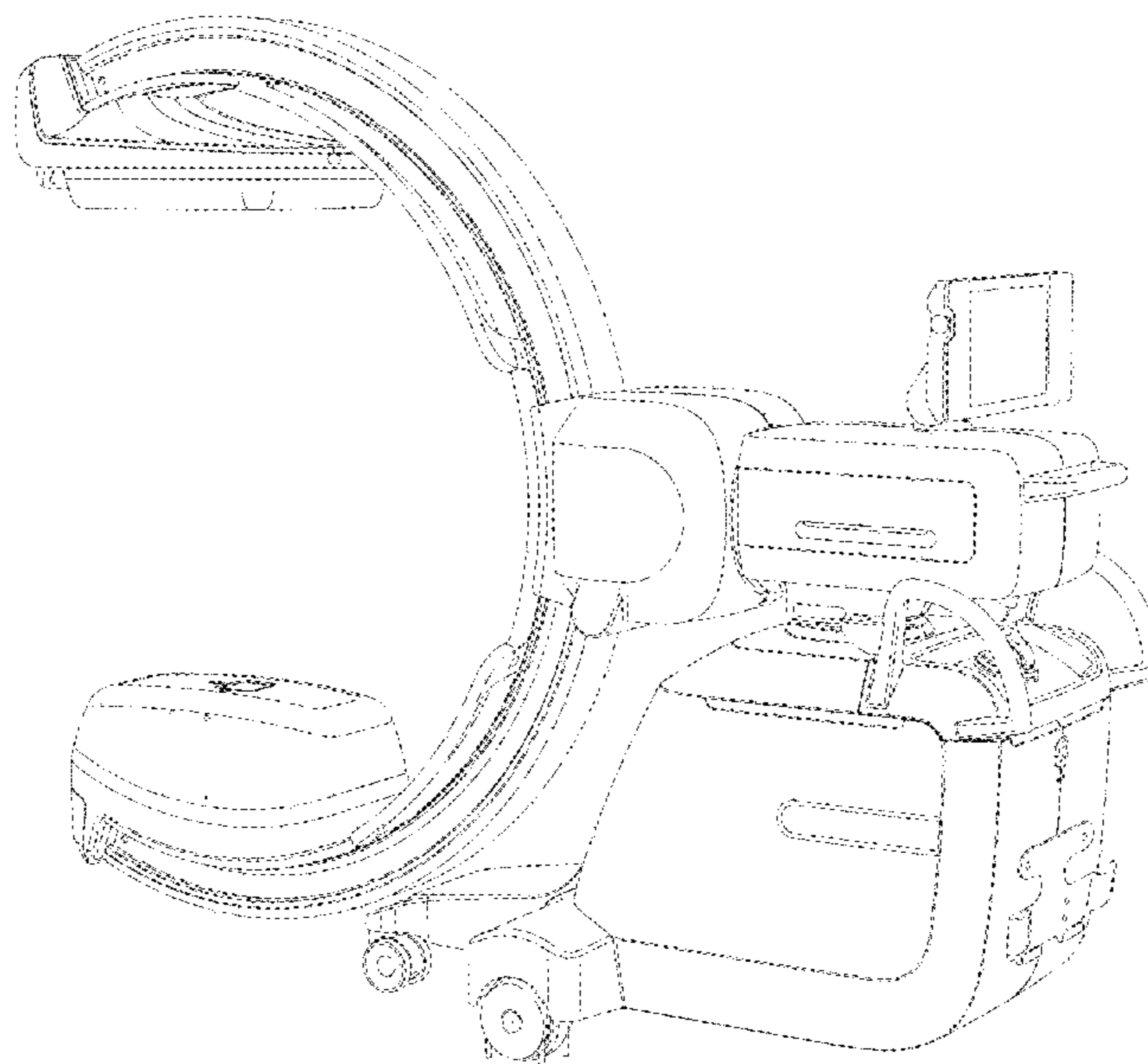


FIG. 1

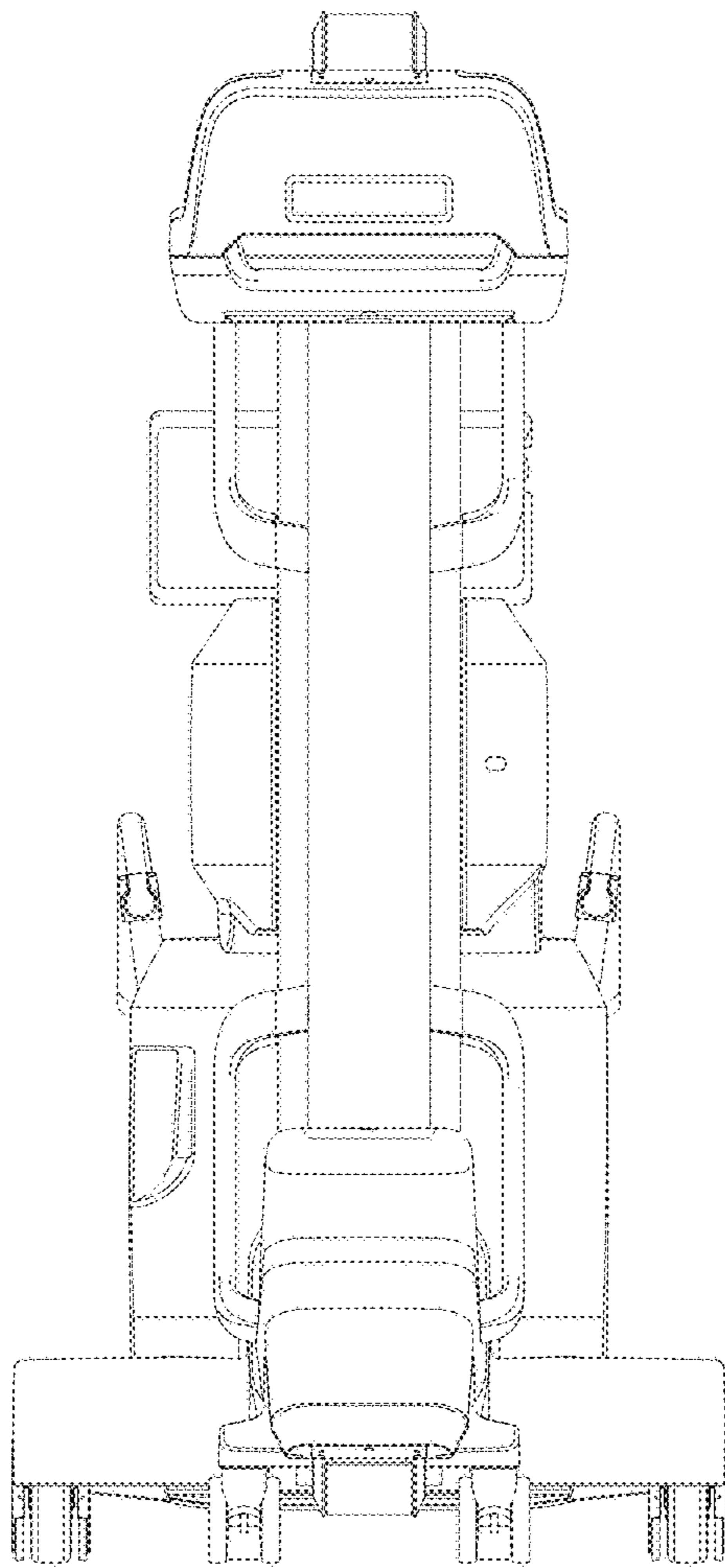


FIG. 2

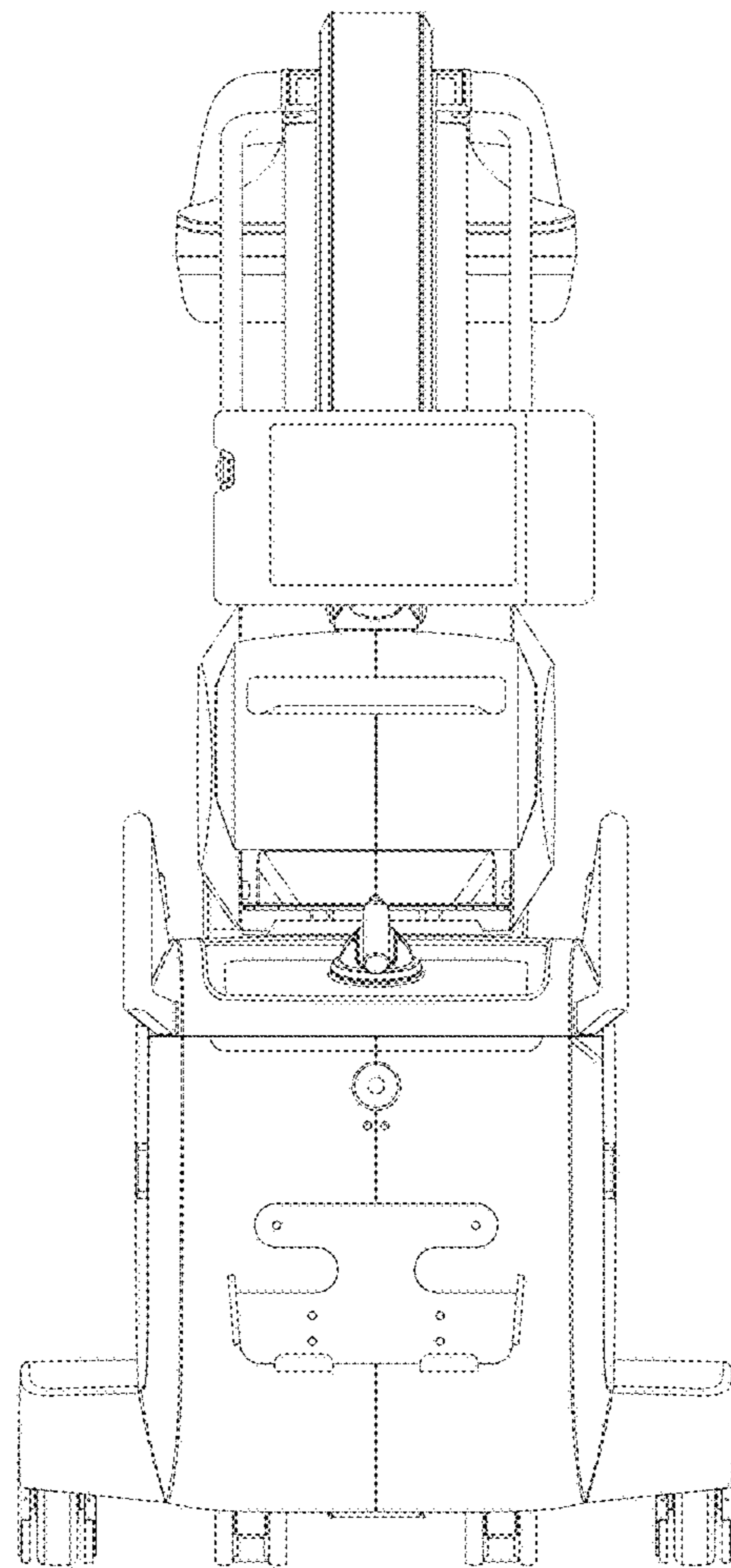


FIG. 3

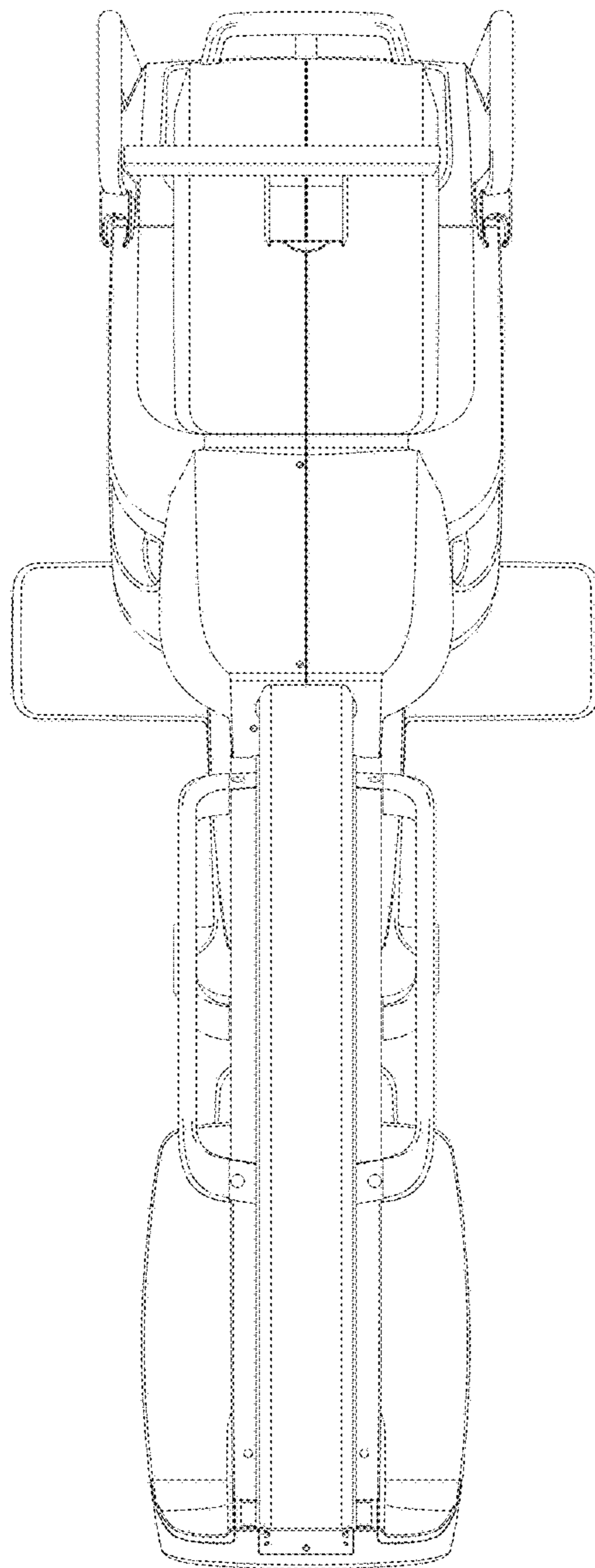
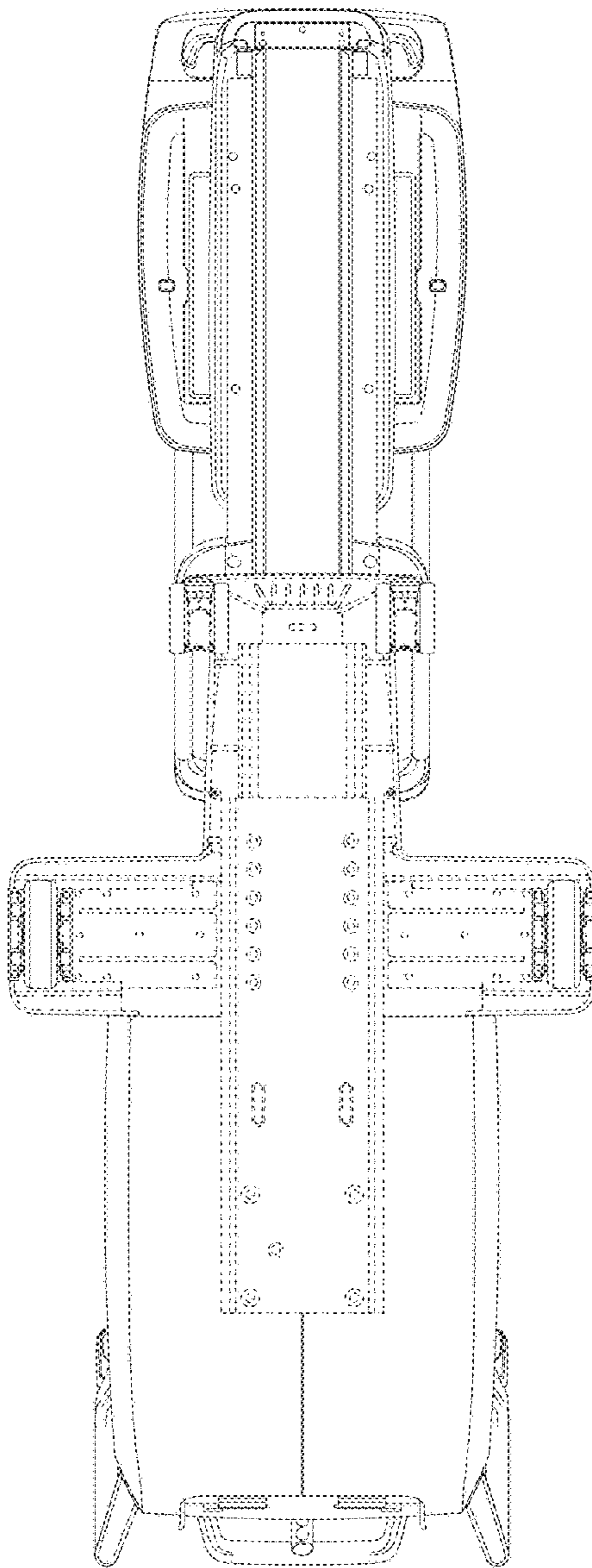


FIG. 4



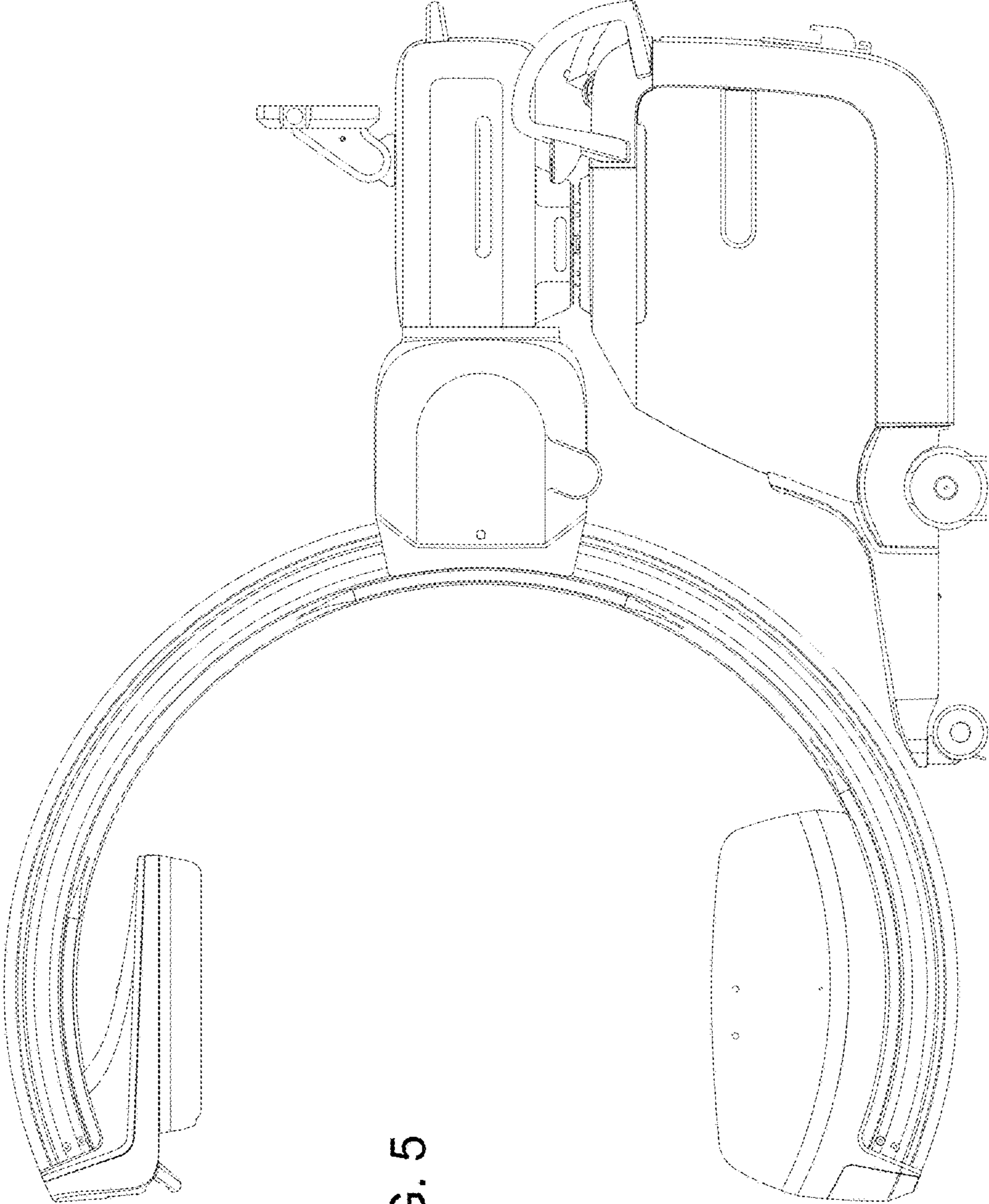


FIG. 5

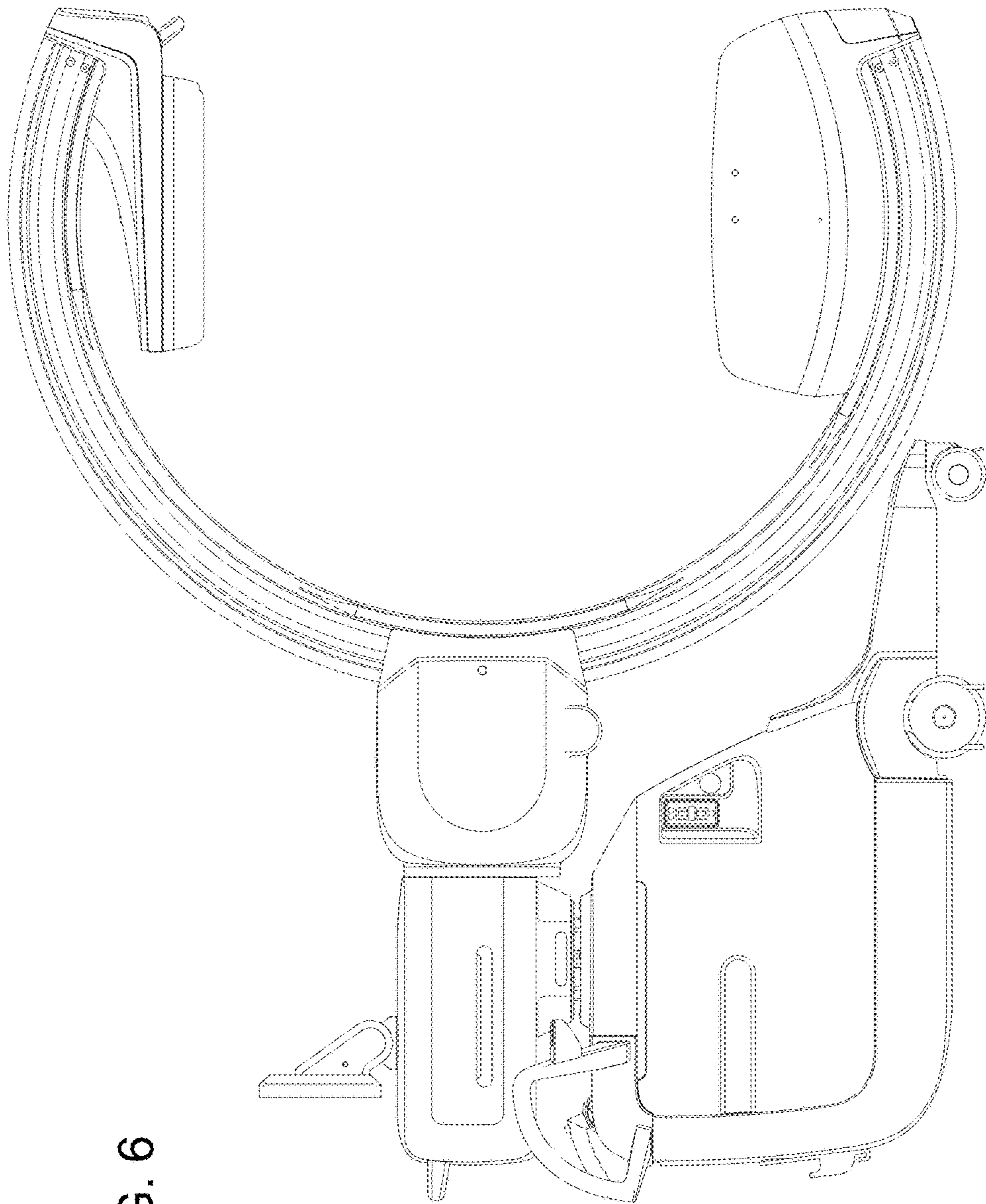


FIG. 6

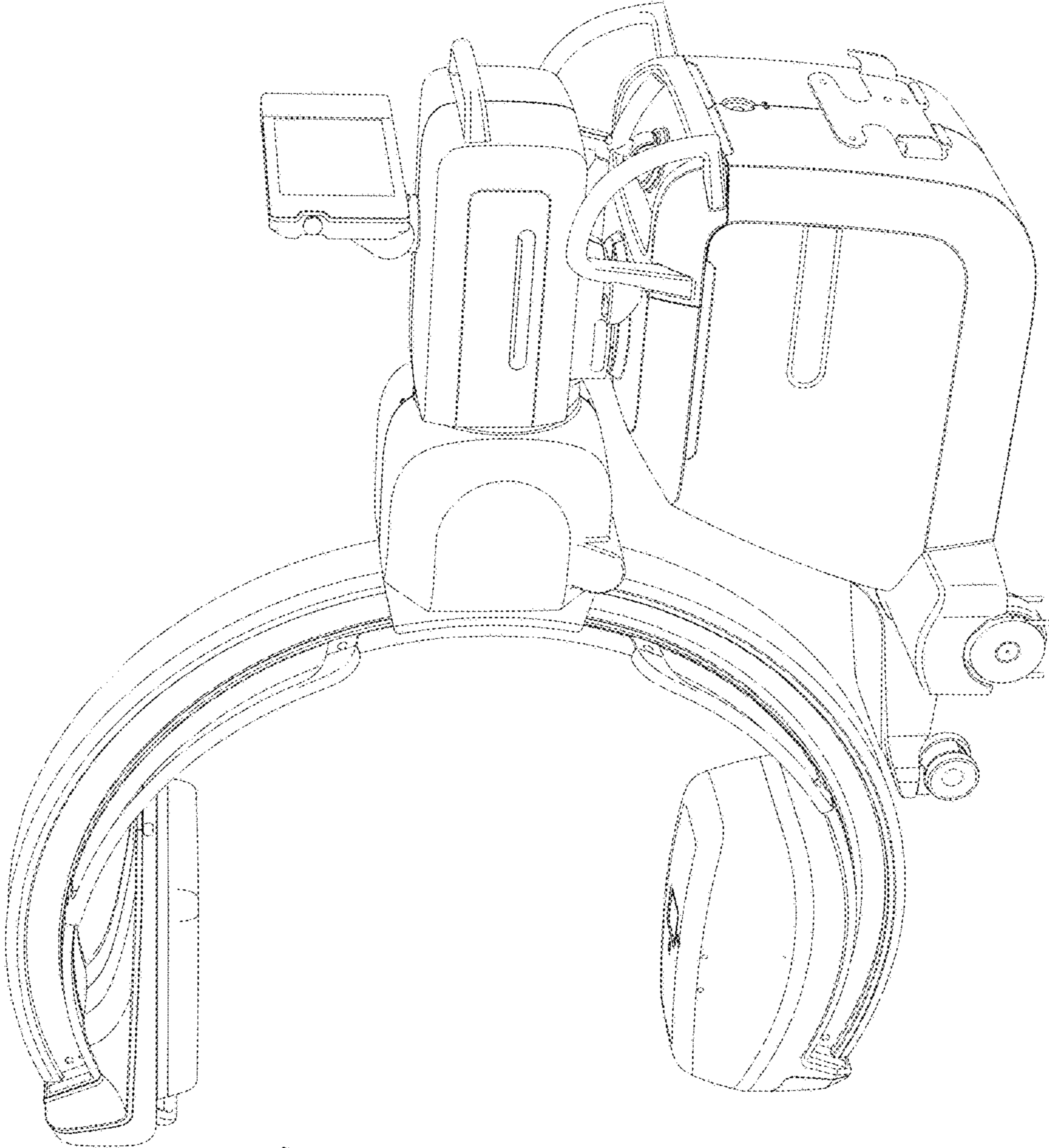


FIG. 7