



US00D868259S

(12) **United States Design Patent** (10) **Patent No.:** **US D868,259 S**
Frey et al. (45) **Date of Patent:** **** Nov. 26, 2019**

(54) **BODY SCANNER**

(71) Applicant: **GoForward, Inc.**, San Francisco, CA (US)

(72) Inventors: **Erik Frey**, San Francisco, CA (US);
Adrian Aoun, San Francisco, CA (US);
Robert Kane Sebastian, San Francisco, CA (US);
Ilya Abyzov, San Francisco, CA (US)

(73) Assignee: **GoForward, Inc.**, San Francisco, CA (US)

(**) Term: **15 Years**

(21) Appl. No.: **29/632,543**

(22) Filed: **Jan. 8, 2018**

(51) **LOC (12) Cl.** **24-01**

(52) **U.S. Cl.**
USPC **D24/158; D24/186**

(58) **Field of Classification Search**
USPC D24/107, 158–161, 185, 186, 187, 231
CPC .. A61B 6/03; A61B 6/035; A61B 5/05; A61B 5/055; G01N 2223/1013; G01N 2223/1016; A61N 2005/1054; A61N 2005/1055; A61N 2005/1074
See application file for complete search history.

(56) **References Cited**

U.S. PATENT DOCUMENTS

D394,316 S *	5/1998	Kodama	D24/158
D533,555 S *	12/2006	Odhe	D24/158
D659,249 S *	5/2012	Ogura	D24/161
D700,607 S *	3/2014	Cederstrom	D14/420
D702,237 S *	4/2014	Oberpriller	D14/420

D737,452 S *	8/2015	Park	D24/185
D740,945 S *	10/2015	Booth	D24/158
D804,670 S *	12/2017	Zhao	D24/158
D836,112 S *	12/2018	McDermott	D14/420

OTHER PUBLICATIONS

Buhr, S., "Forward, a \$149 Per Month Medical Startup, Aims to be the Apple Store of Doctor's Offices," Tech Crunch, Jan. 17, 2017, 11 pages, [Online] [Retrieved on Jan. 5, 2018] Retrieved from the Internet<URL:https://techcrunch.com/2017/01/17/anappleaday/>.

* cited by examiner

Primary Examiner — Anhdao Doan

(74) Attorney, Agent, or Firm — Fenwick & West LLP

(57) **CLAIM**

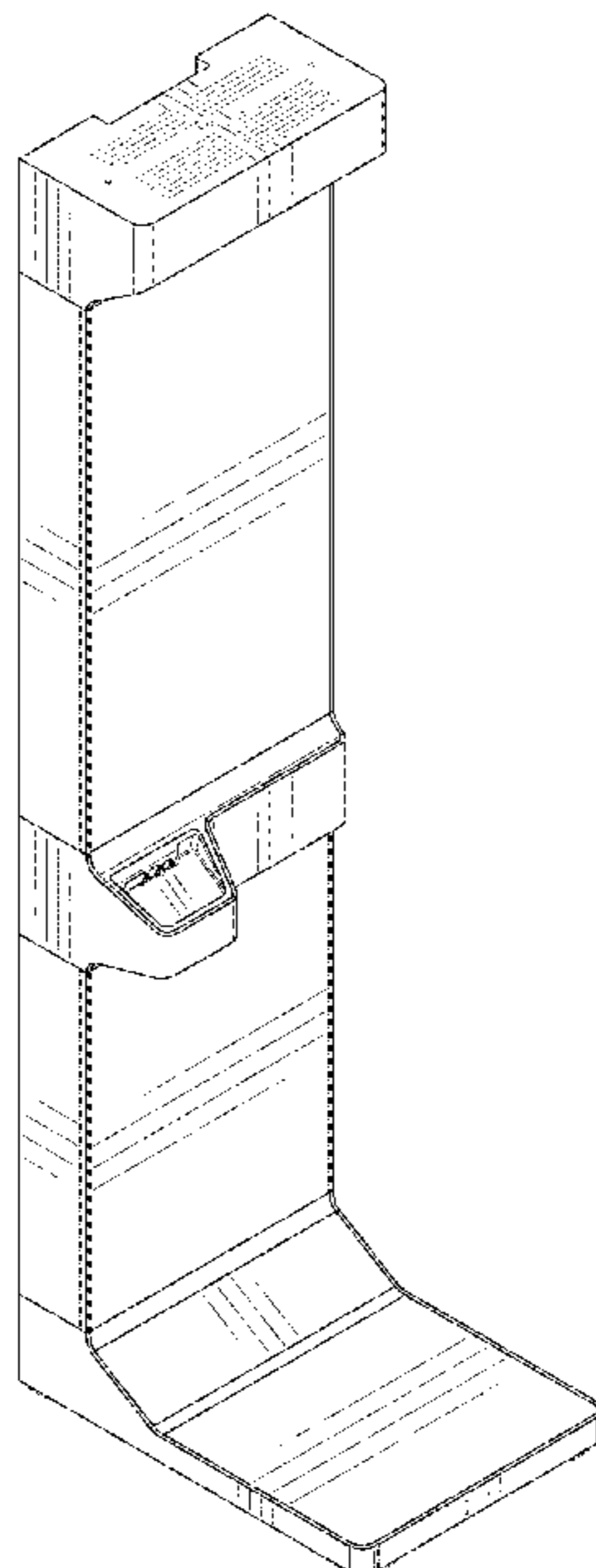
The ornamental design for a body scanner, as shown and described.

DESCRIPTION

FIG. 1 is a front perspective view of a body scanner;
FIG. 2 is a rear perspective view thereof;
FIG. 3 is a front view thereof;
FIG. 4 is a rear view thereof;
FIG. 5 is a right side view thereof;
FIG. 6 is a left side view thereof;
FIG. 7 is a top plan view thereof;
FIG. 8 is a bottom plan view thereof;
FIG. 9 is a close-up perspective view of a portion thereof;
and,
FIG. 10 is another close-up perspective view of the portion thereof.

The broken lines in the drawings show portions of the body scanner that form no part of the claimed design.

1 Claim, 10 Drawing Sheets



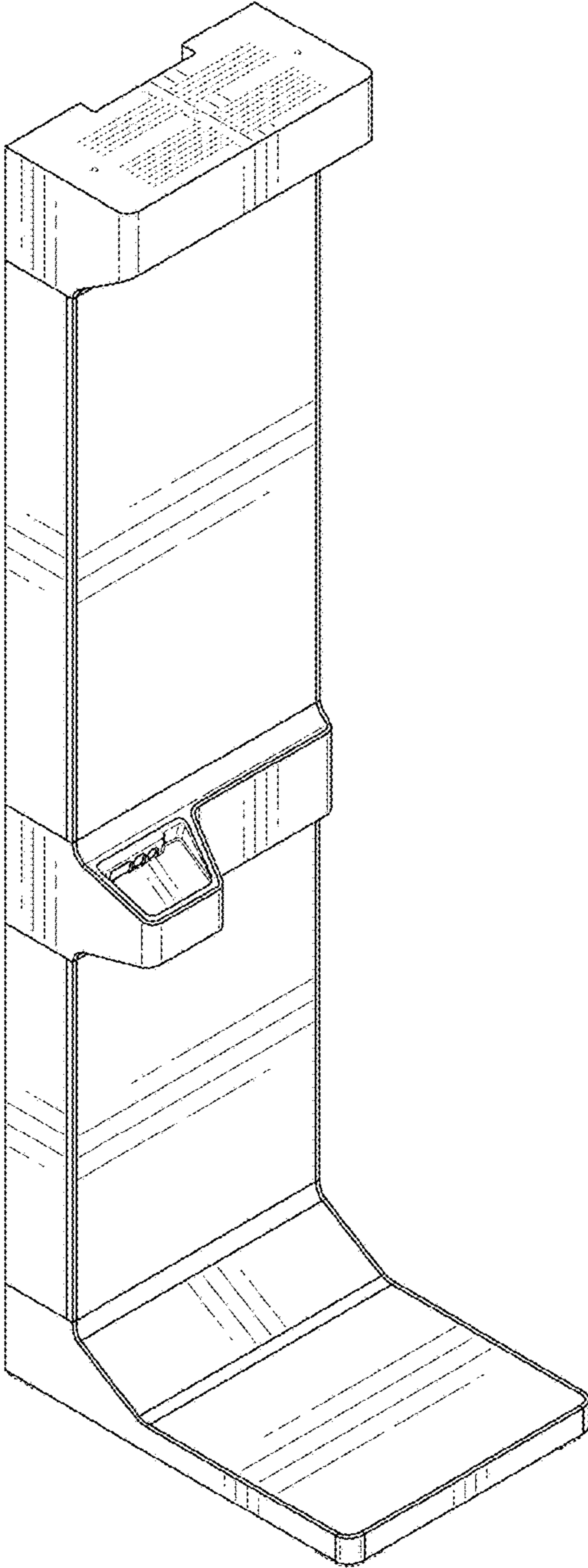


FIG. 1

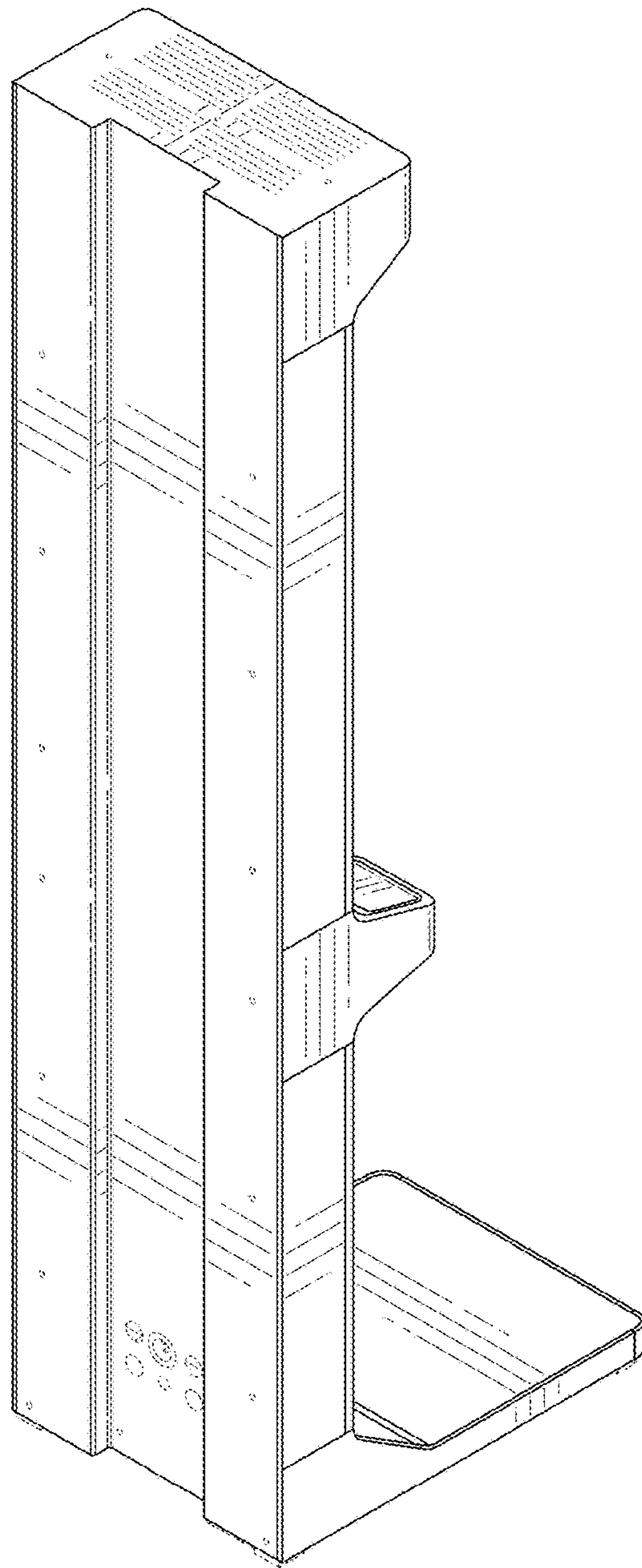


FIG. 2

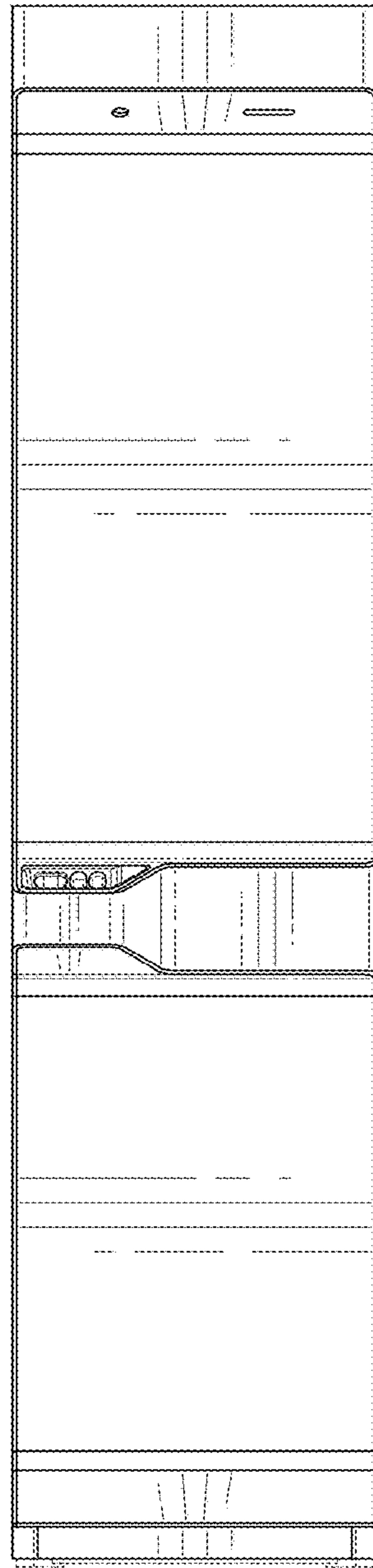


FIG. 3

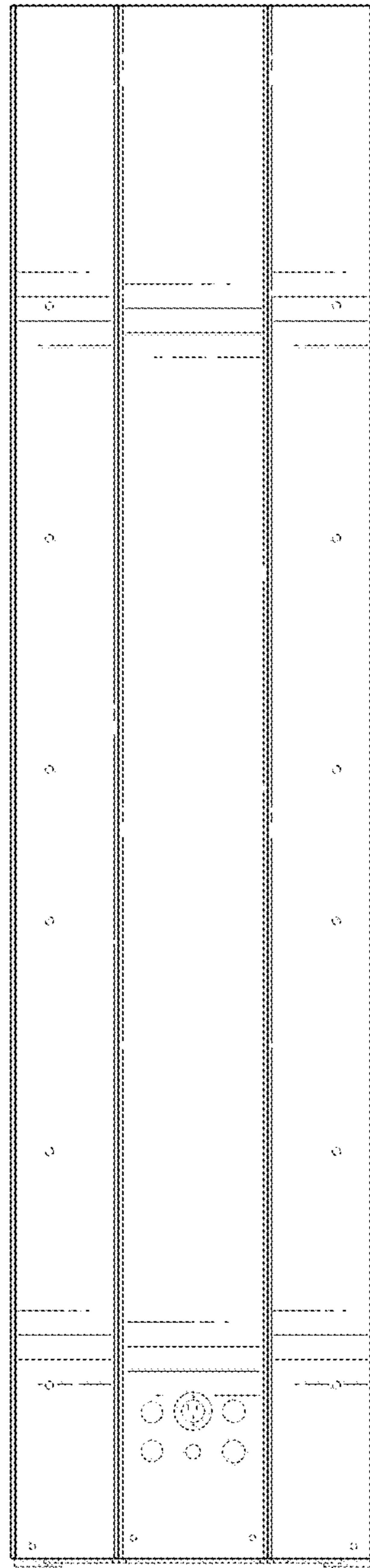


FIG. 4

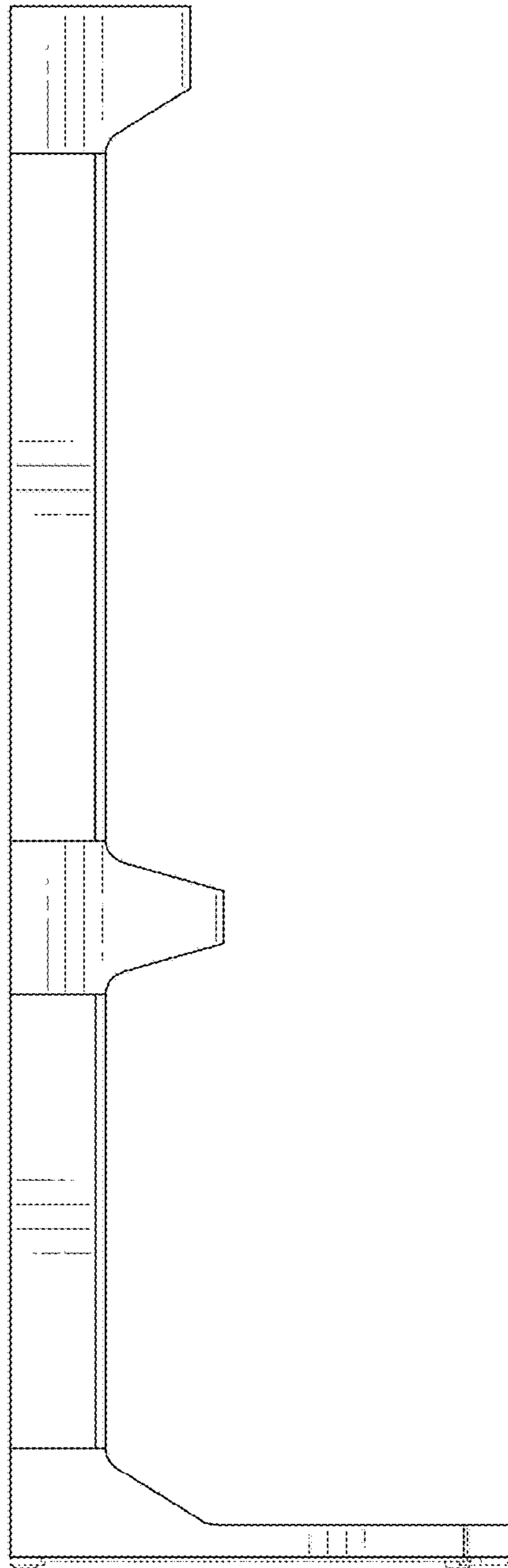


FIG. 5

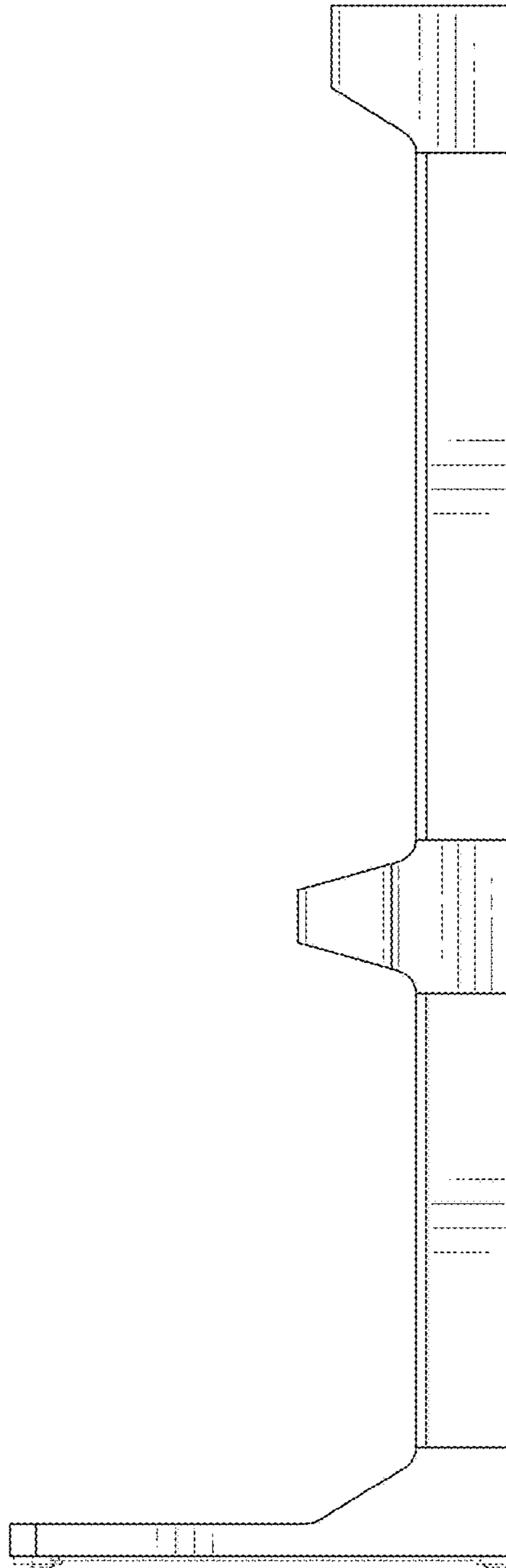


FIG. 6

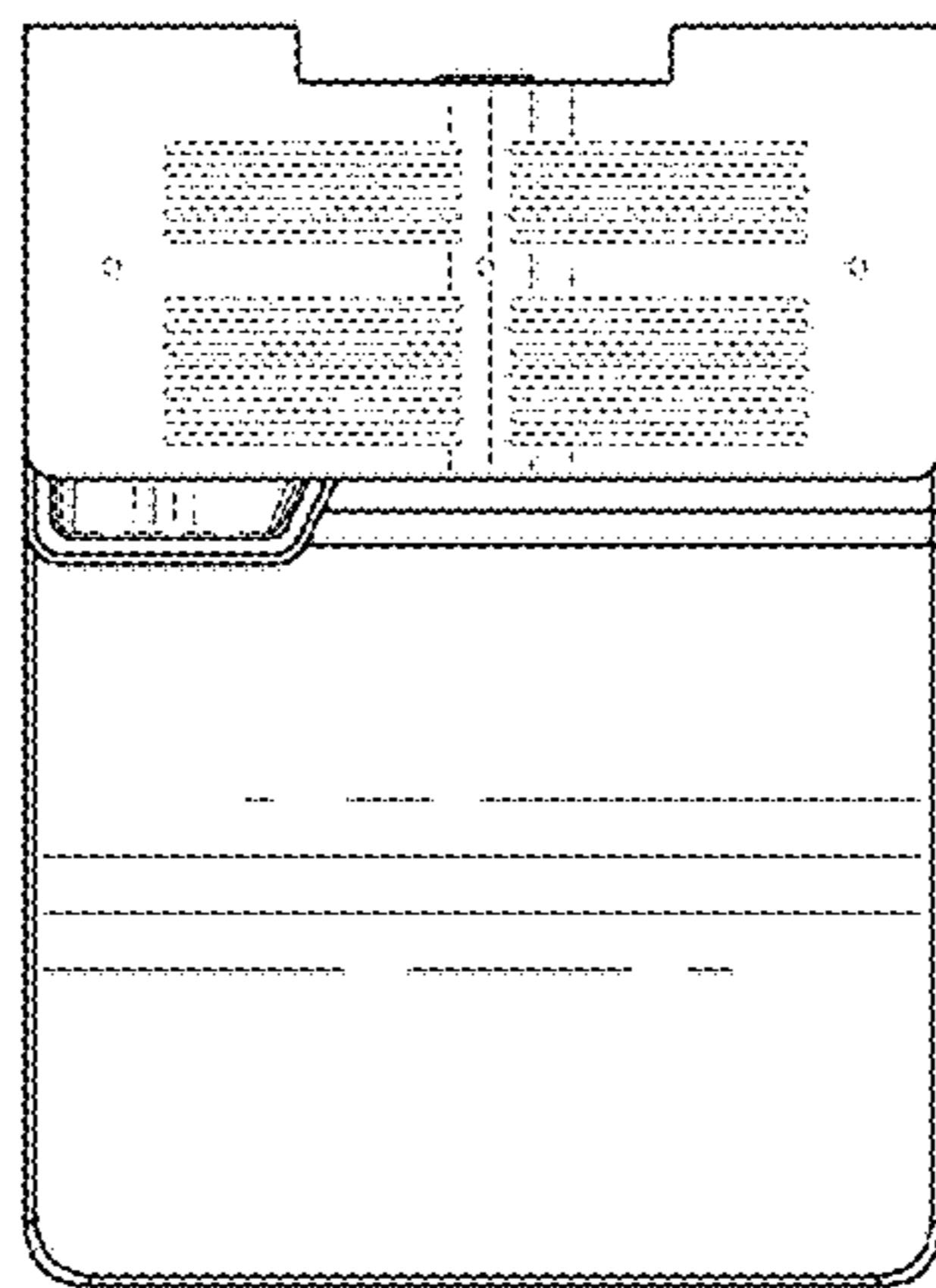


FIG. 7

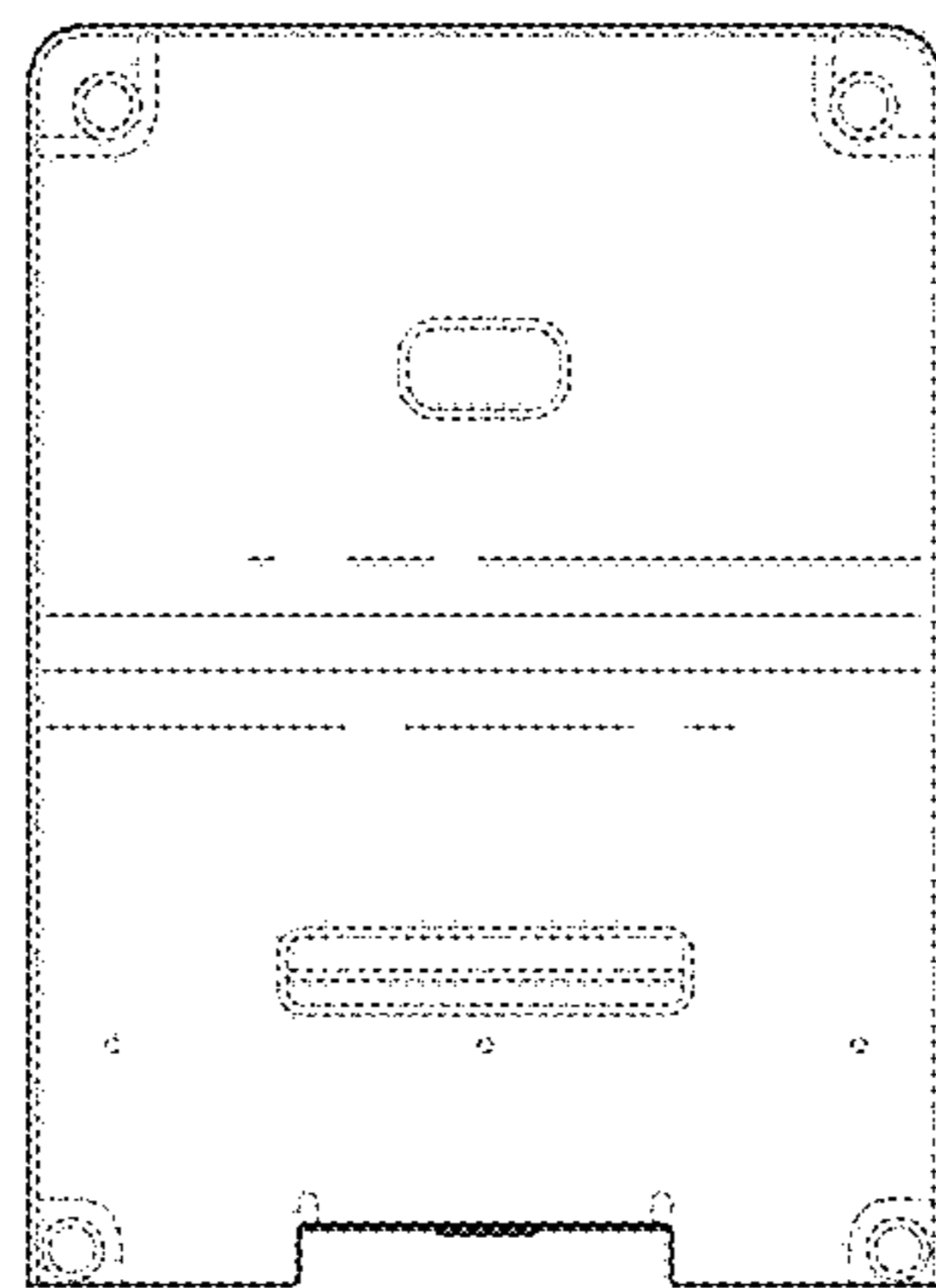


FIG. 8

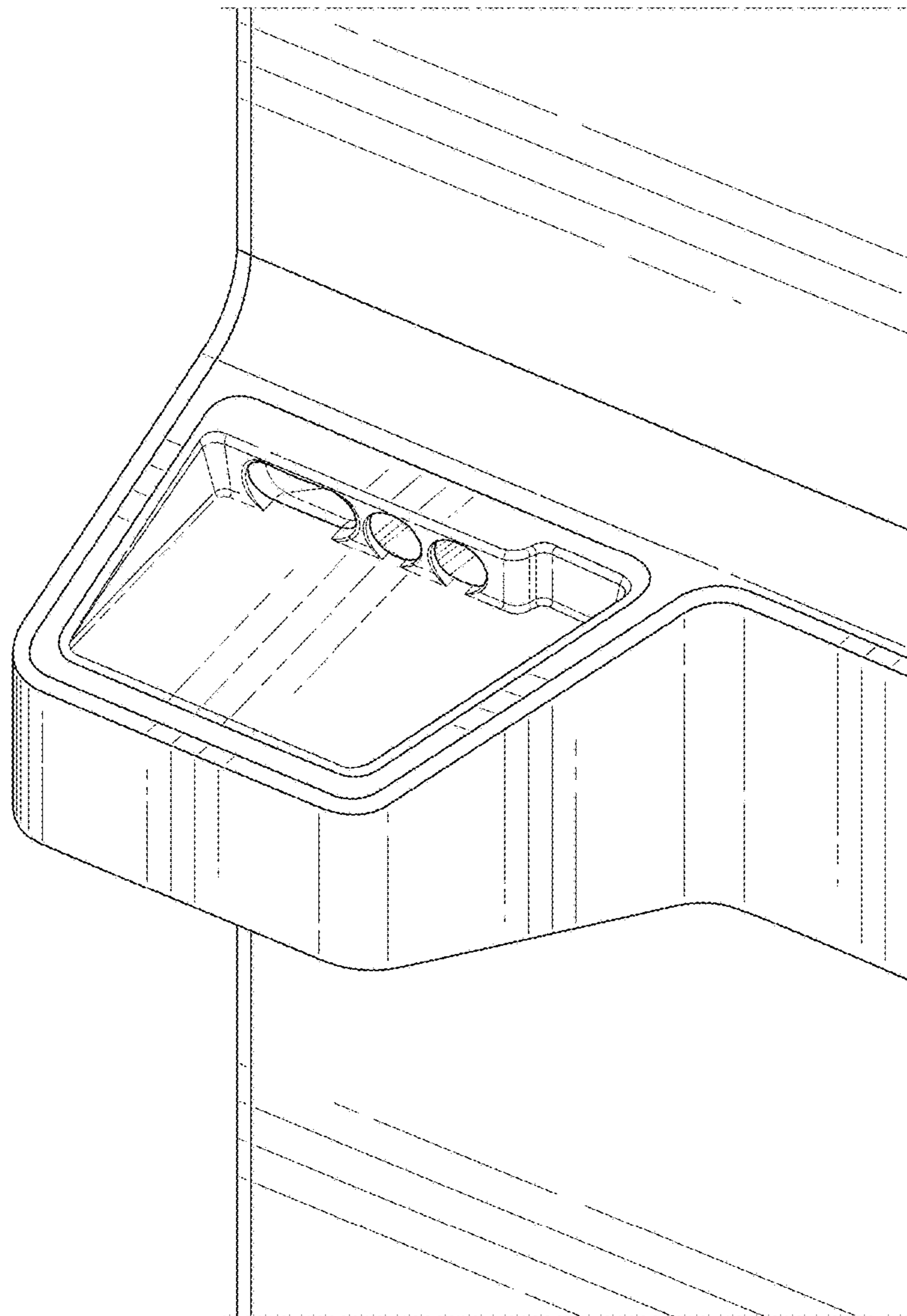


FIG. 9

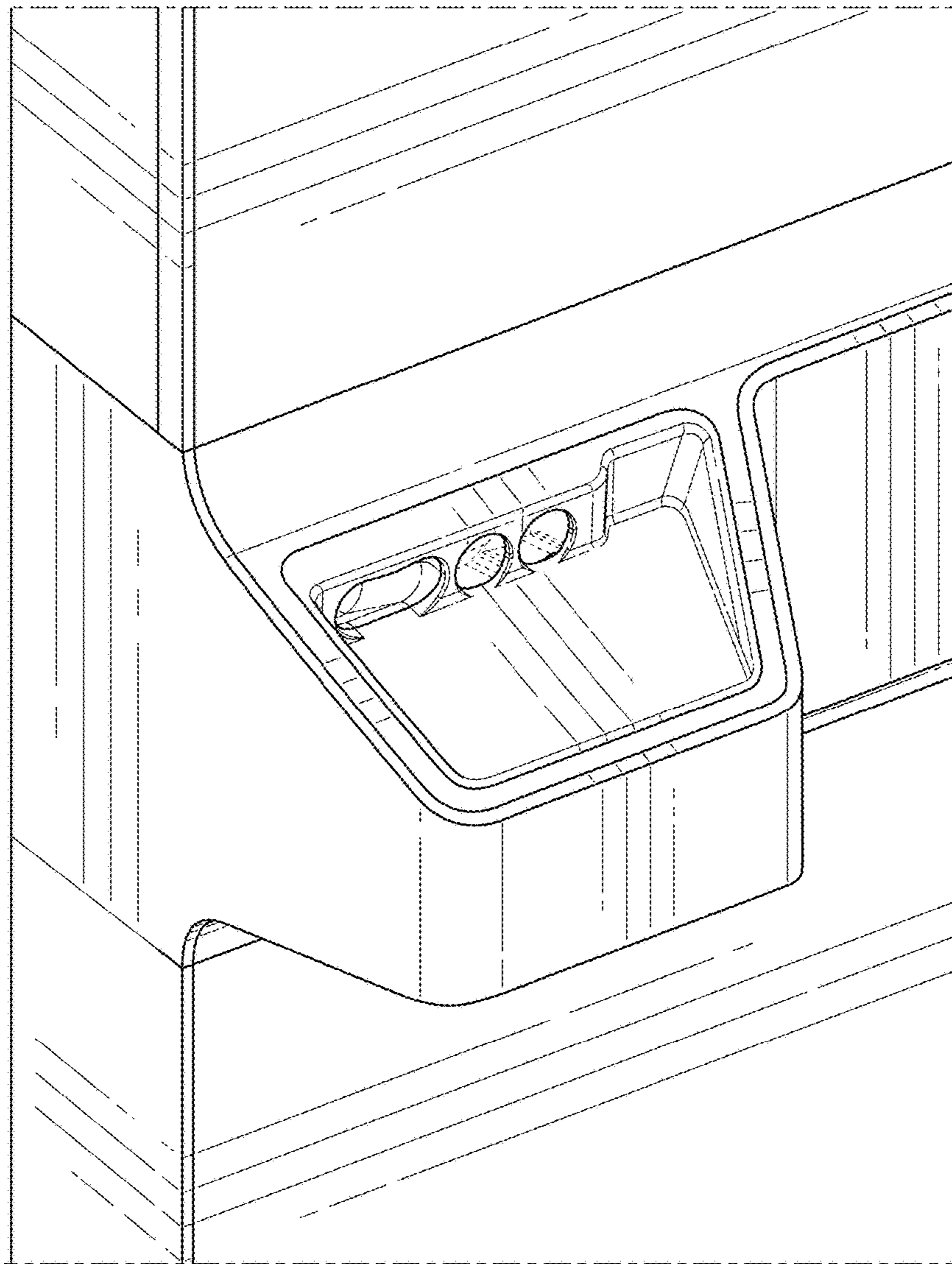


FIG. 10