



US00D868258S

(12) **United States Design Patent** (10) **Patent No.:** **US D868,258 S**
Schwartz (45) **Date of Patent:** **** Nov. 26, 2019**

(54) **FOOT SCANNER**
(71) Applicant: **AETREX WORLDWIDE, INC.**,
Teaneck, NJ (US)
(72) Inventor: **Laurence Schwartz**, Teaneck, NJ (US)
(73) Assignee: **AETREX WORLDWIDE, INC.**,
Teaneck, NJ (US)
(**) Term: **15 Years**
(21) Appl. No.: **29/606,287**
(22) Filed: **Jun. 2, 2017**
(51) **LOC (12) Cl.** **24-01**
(52) **U.S. Cl.**
USPC **D24/158**
(58) **Field of Classification Search**
USPC D24/158-161, 185, 186, 231; D10/65,
D10/70; D16/130
CPC A61B 5/1079; A61B 5/1036; A61B 5/1074
See application file for complete search history.

D657,058 S * 4/2012 Awad D24/158
D696,971 S * 1/2014 Ammon D10/70
D702,573 S * 4/2014 Schwartz D10/70
D784,540 S * 4/2017 Boudville D24/186
2007/0211355 A1* 9/2007 Dalbo A61B 5/1036
359/871
2016/0015298 A1* 1/2016 Danenberg A61B 5/1079
600/476

* cited by examiner

Primary Examiner — Anhdao Doan

(74) *Attorney, Agent, or Firm* — Saul Ewing Arnstein & Lehr LLP

(57) **CLAIM**

The ornamental design for a foot scanner, as shown and described.

DESCRIPTION

FIG. 1 is a perspective view of a foot scanner;
FIG. 2 is a front view thereof;
FIG. 3 is a rear view thereof;
FIG. 4 is a left side view thereof;
FIG. 5 is a right side view thereof;
FIG. 6 is a top view thereof; and,
FIG. 7 is a bottom view thereof.

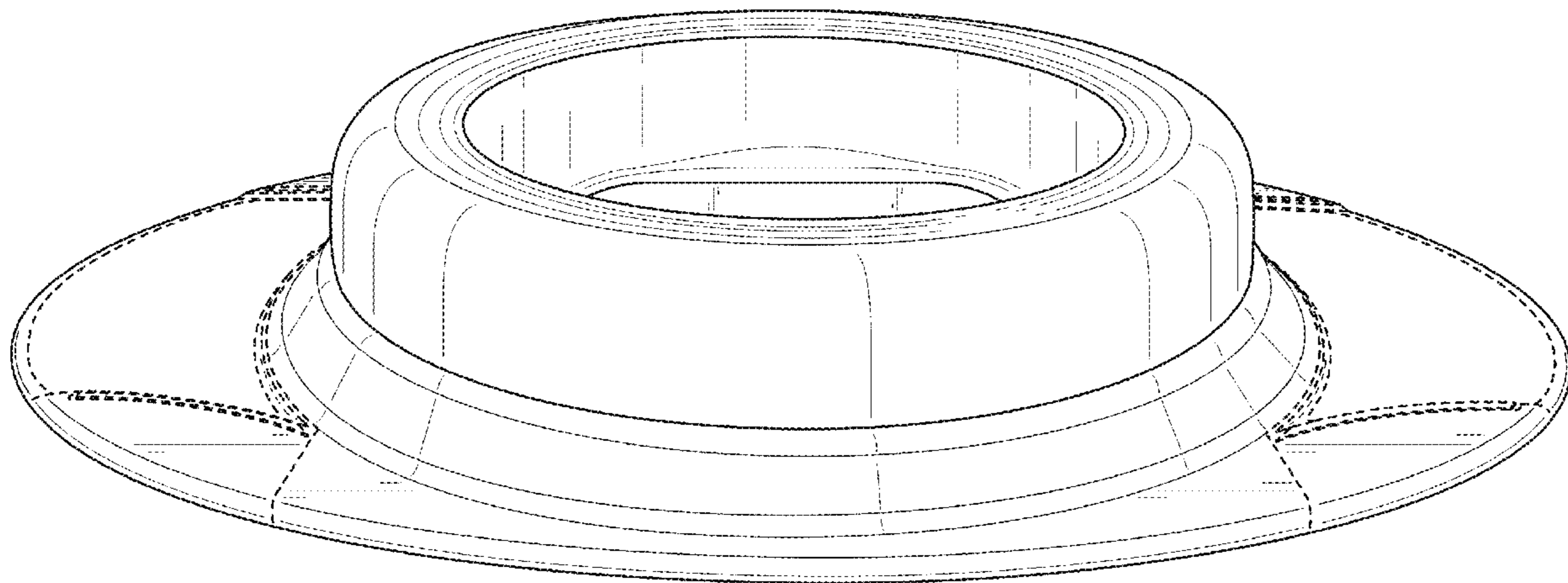
The broken lines immediately adjacent the shaded areas represent the bounds of the claim, while all other broken lines are directed to environment and are for illustrative purposes only; the broken lines form no part of the claimed design.

1 Claim, 7 Drawing Sheets

(56) **References Cited**

U.S. PATENT DOCUMENTS

D376,325 S * 12/1996 Blanch D10/70
6,331,893 B1 * 12/2001 Brown A61B 5/1074
33/3 R
D493,228 S * 7/2004 Spangler D24/171
D526,226 S * 8/2006 Copeland D10/70
D571,678 S * 6/2008 Hinshaw D10/70



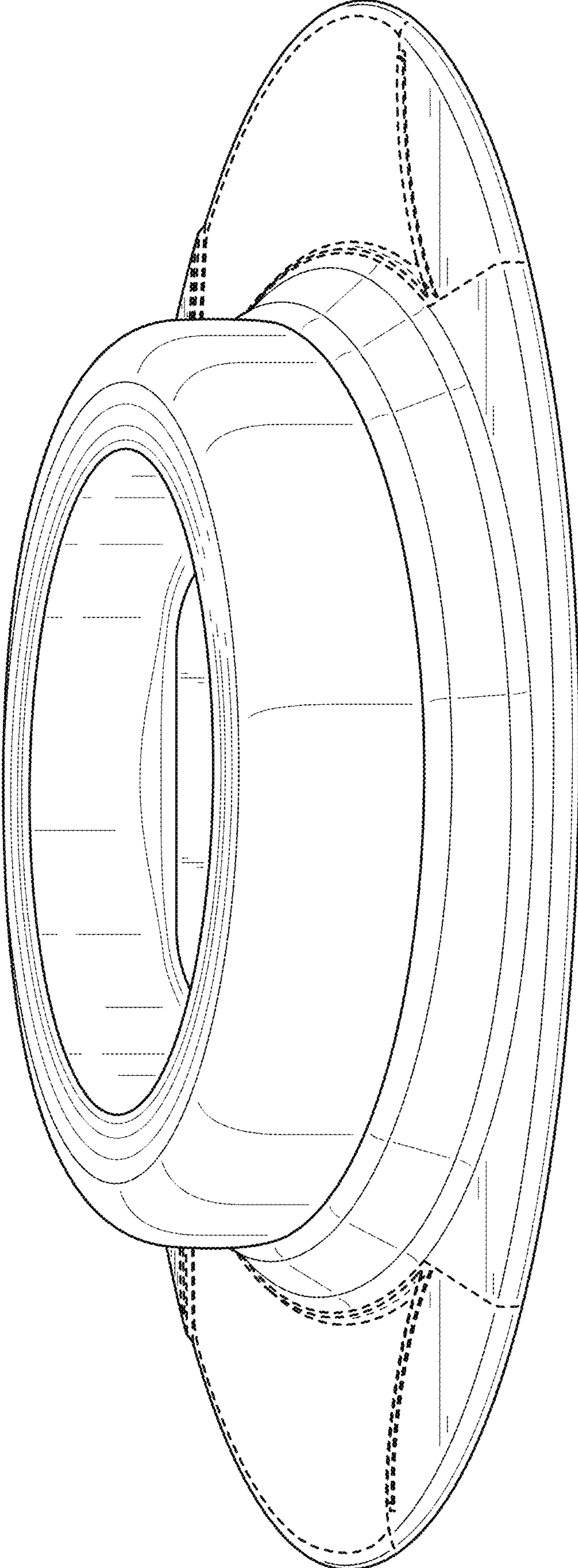


FIG. 1

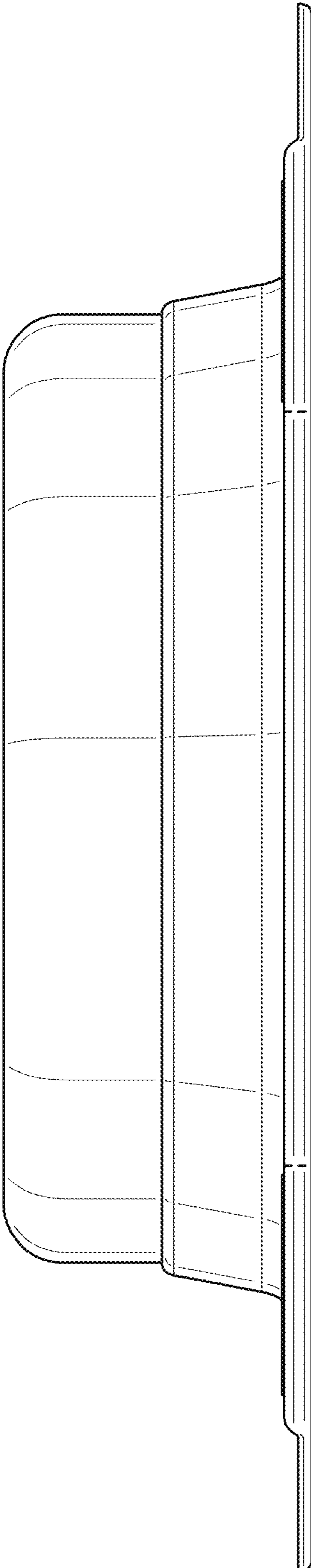


FIG. 2

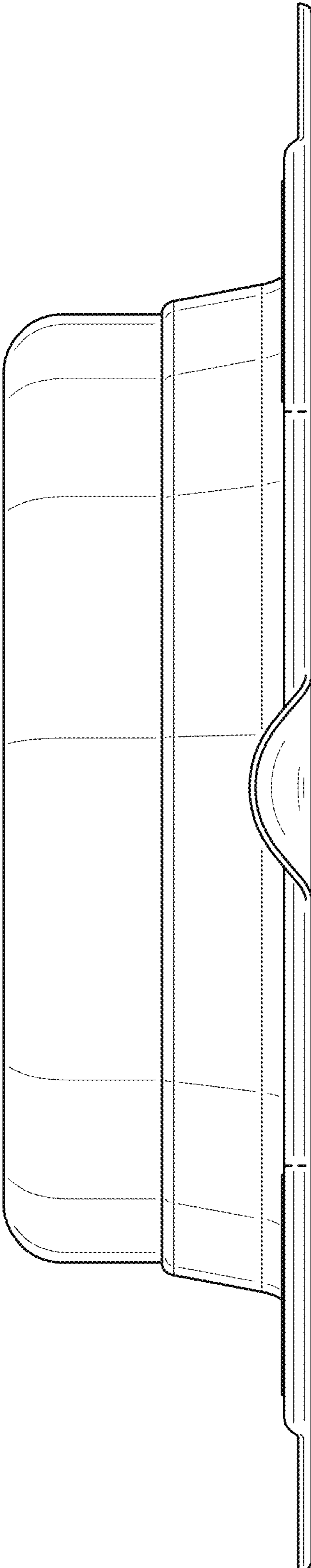


FIG. 3

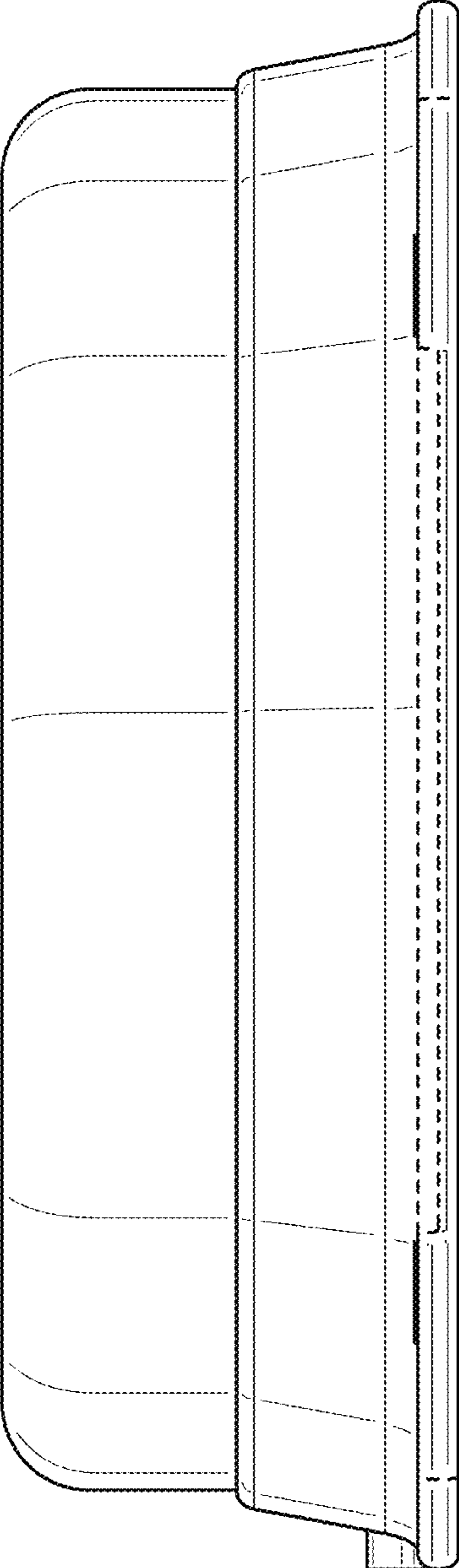


FIG. 4

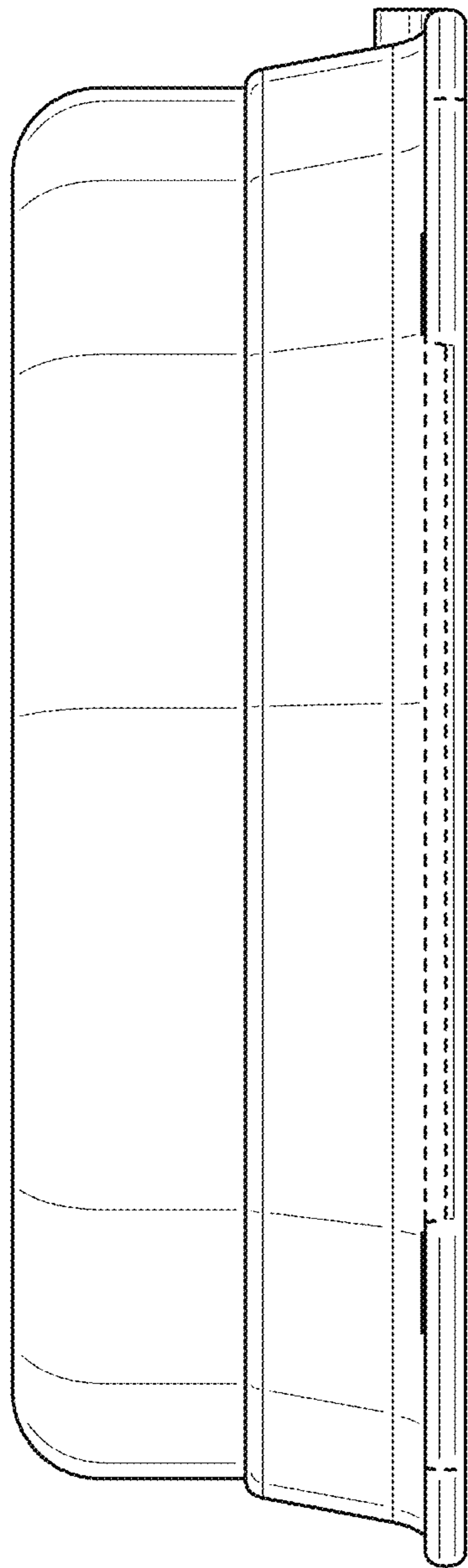


FIG. 5

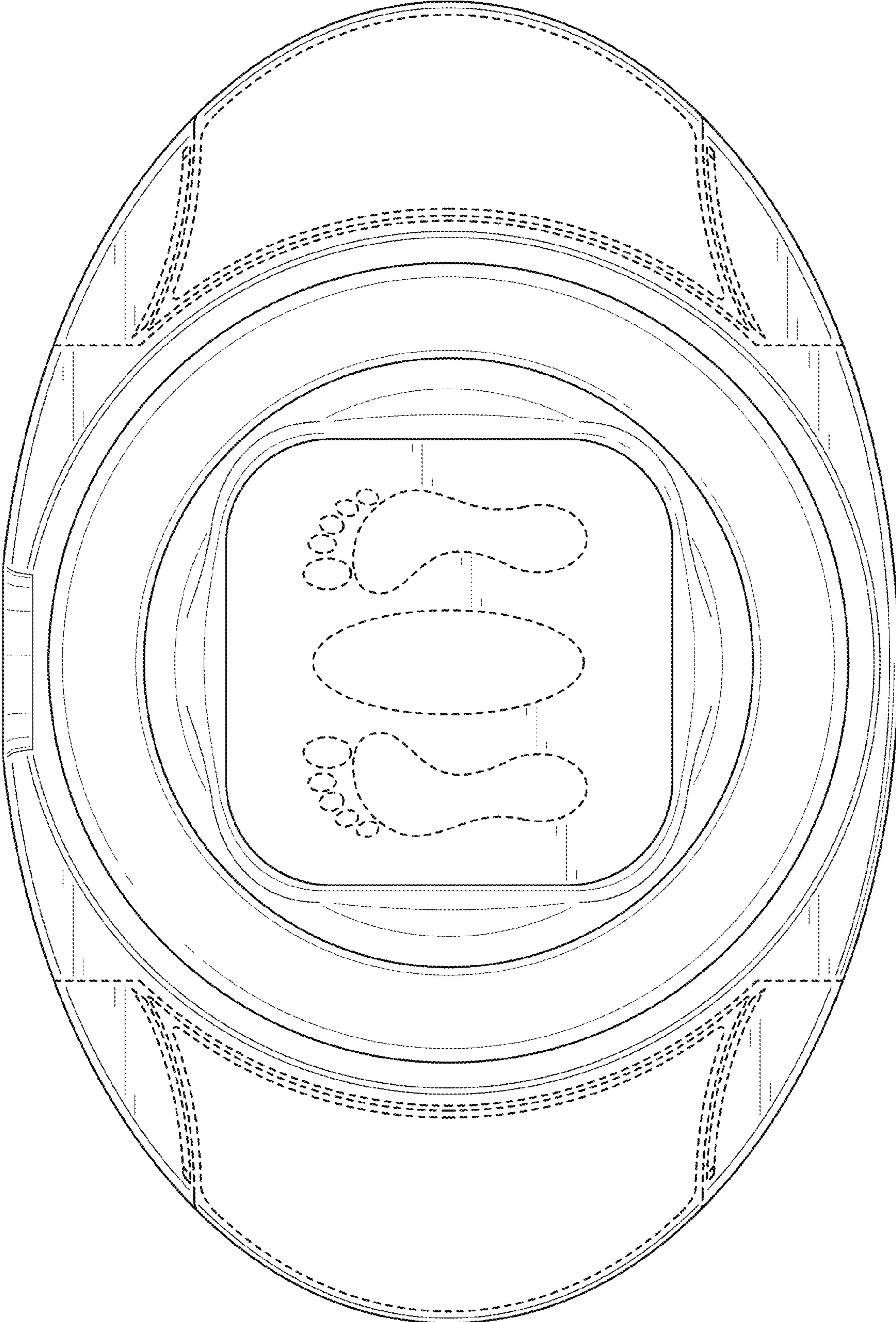


FIG. 6

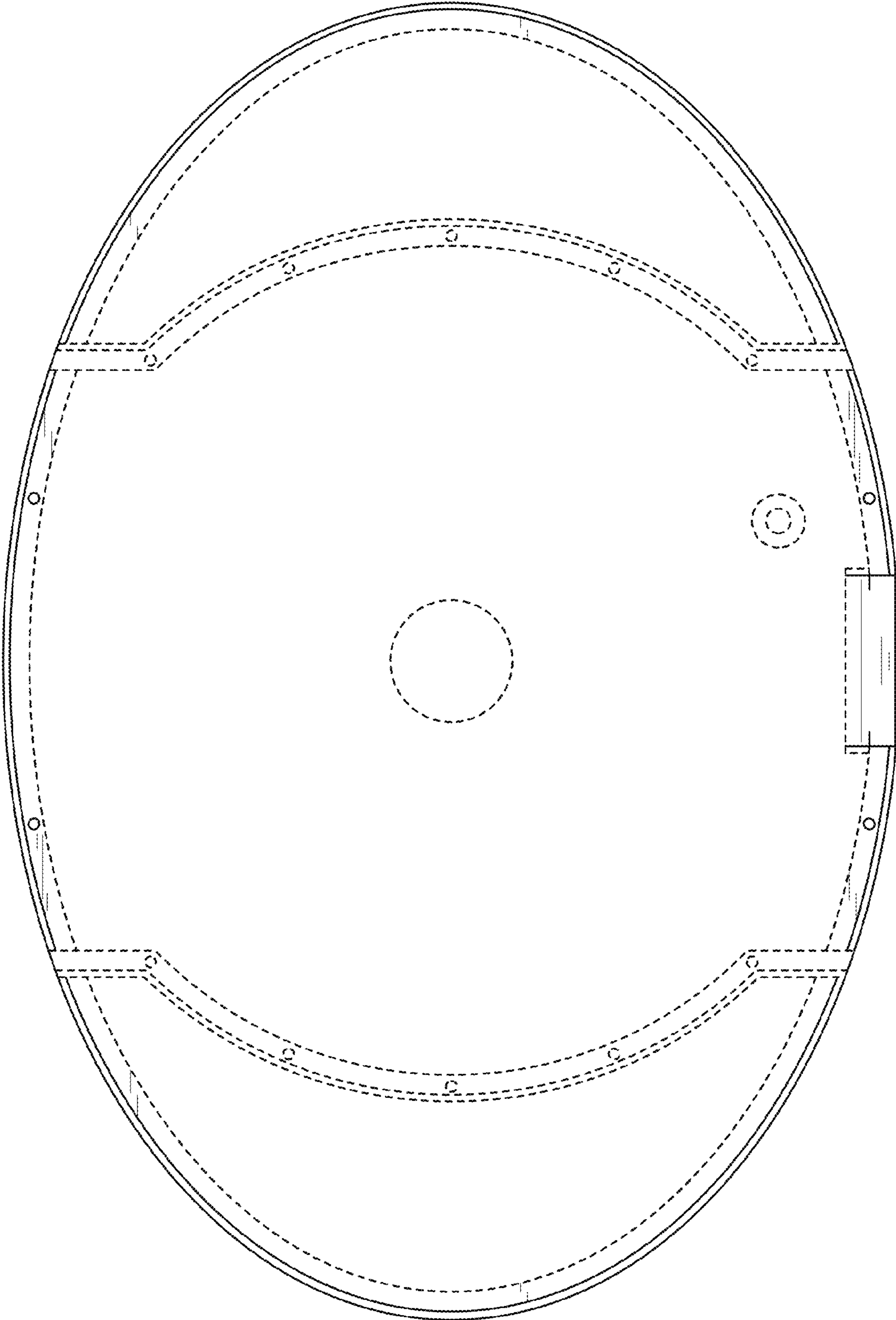


FIG. 7